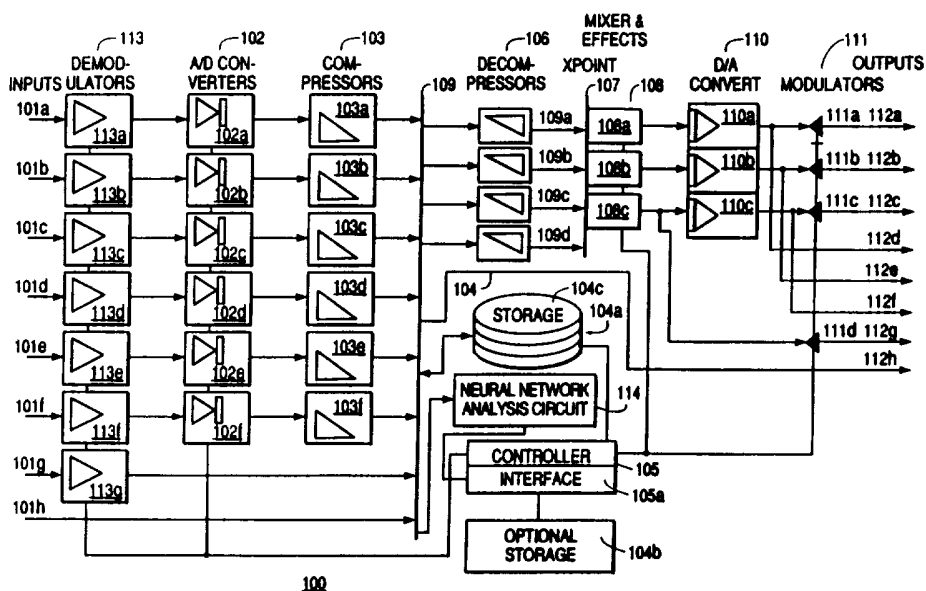




INTERNATIONAL APPLICATION PUBLISHED UNDER THE PATENT COOPERATION TREATY (PCT)

<p>(51) International Patent Classification ⁵ : H04N 5/781, H04H 1/02, 7/00</p>	<p>A3</p>	<p>(11) International Publication Number: WO 92/22983 (43) International Publication Date: 23 December 1992 (23.12.92)</p>
<p>(21) International Application Number: PCT/US92/04573 (22) International Filing Date: 9 June 1992 (09.06.92) (30) Priority data: 713,142 11 June 1991 (11.06.91) US (71)(72) Applicants and Inventors: BROWNE, H., Lee [US/US]; Two Soundview Drive, Greenwich, CT 06830 (US). YURT, Paul [US/US]; 446 W 47th St., Apt. 5D, New York City, NY 10036-2337 (US). (74) Agents: TURNER, John, B. et al.; Finnegan, Henderson, Farabow, Garrett & Dunner, 1300 I Street, N.W., Washington, DC 20005-3315 (US).</p>		<p>(81) Designated States: AT (European patent), BE (European patent), CA, CH (European patent), DE (European patent), DK (European patent), ES (European patent), FR (European patent), GB (European patent), GR (European patent), IT (European patent), JP, KR, LU (European patent), MC (European patent), NL (European patent), SE (European patent). Published <i>With international search report. Before the expiration of the time limit for amending the claims and to be republished in the event of the receipt of amendments.</i> (88) Date of publication of the international search report: 15 April 1993 (15.04.93)</p>

(54) Title: LARGE CAPACITY, RANDOM ACCESS, MULTI-SOURCE RECORDER PLAYER



(57) Abstract

An audio/video recorder system receives a plurality of transmission signals each containing program information and simultaneously stores the received transmission signals. The system can be controlled by user input to allow for automatic recording of selected programs simultaneously input from multiple sources, reconfiguration of stored programs, and routing of stored programs to selected outputs.

FOR THE PURPOSES OF INFORMATION ONLY

Codes used to identify States party to the PCT on the front pages of pamphlets publishing international applications under the PCT.

AT	Austria	FI	Finland	MN	Mongolia
AU	Australia	FR	France	MR	Mauritania
BB	Barbados	GA	Gabon	MW	Malawi
BE	Belgium	GB	United Kingdom	NL	Netherlands
BF	Burkina Faso	GN	Guinea	NO	Norway
BG	Bulgaria	GR	Greece	NZ	New Zealand
BJ	Benin	HU	Hungary	PL	Poland
BR	Brazil	IE	Ireland	PT	Portugal
CA	Canada	IT	Italy	RO	Romania
CF	Central African Republic	JP	Japan	RU	Russian Federation
CG	Congo	KP	Democratic People's Republic of Korea	SD	Sudan
CH	Switzerland	KR	Republic of Korea	SE	Sweden
CI	Côte d'Ivoire	LI	Liechtenstein	SK	Slovak Republic
CM	Cameroon	LK	Sri Lanka	SN	Senegal
CS	Czechoslovakia	LU	Luxembourg	SU	Soviet Union
CZ	Czech Republic	MC	Monaco	TD	Chad
DE	Germany	MG	Madagascar	TC	Togo
DK	Denmark	MI	Mali	UA	Ukraine
ES	Spain			US	United States of America

INTERNATIONAL SEARCH REPORT

International Application No

PCT/US 92/04573

I. CLASSIFICATION OF SUBJECT MATTER (if several classification symbols apply, indicate all) ⁶		
According to International Patent Classification (IPC) or to both National Classification and IPC		
Int.C1.5	H 04 N 5/781 H 04 H 1/02	H 04 H 7/00
II. FIELDS SEARCHED		
Minimum Documentation Searched ⁷		
Classification System	Classification Symbols	
Int.C1.5	G 11 B	H 04 N
Documentation Searched other than Minimum Documentation to the Extent that such Documents are Included in the Fields Searched ⁸		
III. DOCUMENTS CONSIDERED TO BE RELEVANT⁹		
Category ¹⁰	Citation of Document, ¹¹ with indication, where appropriate, of the relevant passages ¹²	Relevant to Claim No. ¹³
X	PATENT ABSTRACTS OF JAPAN vol. 14, no. 451 (E-984)27 September 1990 & JP,A,21 80 492 (SONY) 13 July 1990 ---	1-3,19
Y	see abstract ---	22-24
A	---	25
X	PATENT ABSTRACTS OF JAPAN vol. 12, no. 328 (E-654)6 September 1988 & JP,A,63 090 274 (MITSUBISHI) 21 April 1988 ---	1-3,19
A	see abstract ---	22
	-/-	
<p>¹⁰ Special categories of cited documents :</p> <p>"A" document defining the general state of the art which is not considered to be of particular relevance</p> <p>"E" earlier document but published on or after the international filing date</p> <p>"L" document which may throw doubts on priority claim(s) or which is cited to establish the publication date of another citation or other special reason (as specified)</p> <p>"O" document referring to an oral disclosure, use, exhibition or other means</p> <p>"P" document published prior to the international filing date but later than the priority date claimed</p> <p>"T" later document published after the international filing date or priority date and not in conflict with the application but cited to understand the principle or theory underlying the invention</p> <p>"X" document of particular relevance; the claimed invention cannot be considered novel or cannot be considered to involve an inventive step</p> <p>"Y" document of particular relevance; the claimed invention cannot be considered to involve an inventive step when the document is combined with one or more other such documents, such combination being obvious to a person skilled in the art.</p> <p>"&" document member of the same patent family</p>		
IV. CERTIFICATION		
Date of the Actual Completion of the International Search	Date of Mailing of this International Search Report	
29-09-1992	1 9. 03. 93	
International Searching Authority	Signature of Authorized Officer	
EUROPEAN PATENT OFFICE	DOCKHORN	

III. DOCUMENTS CONSIDERED TO BE RELEVANT (CONTINUED FROM THE SECOND SHEET)		
Category °	Citation of Document, with indication, where appropriate, of the relevant passages	Relevant to Claim No.
X	PATENT ABSTRACTS OF JAPAN vol. 13, no. 147 (E-741)11 April 1989 & JP,A,63 308 488 (MATSUSHITA) 15 December 1988 ---	1,19
A	see abstract ---	2,22
X	EP,A,0410626 (CANON) 30 January 1991	1,19
A	see column 4, line 39 - column 7, line 42; figure 4A ---	2,22
X	PHILIPS TELECOMMUNICATION REVIEW vol. 47, no. 1, March 1989, HILVERSUM NL pages 15 - 22 , XP112810 H. SCHRANZ ET AL. 'The small workgroup system for voice messaging and remote dictation' ---	1,19
A	see paragraph 2 see paragraph 5 ---	2,22
Y	WO,A,8904576 (ITT) 18 May 1989	22-24
A	see page 1, line 1 - line 14 ---	1,19,25
A	EP,A,0338812 (SHARP) 25 October 1989 see column 7, line 44 - column 9, line 59; figure 2 ---	1,19,22 ,25
P,X	WO,A,9114317 (REUSSNER) 19 September 1991 see the whole document ---	1,19
P,X	COMPUTER NETWORKS AND ISDN SYSTEMS vol. 22, no. 2, September 1991, AMSTERDAM NL pages 155 - 162 , XP225399 W. SINCOSKIE 'System architecture for a large scale video on demand service' see the whole document -----	1,19

INTERNATIONAL SEARCH REPORT

International application No.

PCT/US 92/04573

Box I Observations where certain claims were found unsearchable (Continuation of item 1 of first sheet)

This international search report has not been established in respect of certain claims under Article 17(2)(a) for the following reasons:

1. Claims Nos.:
because they relate to subject matter not required to be searched by this Authority, namely:

2. Claims Nos.:
because they relate to parts of the international application that do not comply with the prescribed requirements to such an extent that no meaningful international search can be carried out, specifically:

3. Claims Nos.:
because they are dependent claims and are not drafted in accordance with the second and third sentences of Rule 6.4(a).

Box II Observations where unity of invention is lacking (Continuation of item 2 of first sheet)

This International Searching Authority found multiple inventions in this international application, as follows:

1. claims 1-3, 19, 22-25; 2. claims 4, 21; 3. claims 5, 6, 20, 39;
4. claims 7, 27, 28; 5. claims 8-12, 29-32; 6. claims 13-18;
7. claim 26; 8. claims 33-38

For further information see form PCT/ISA/206 sent on 4-01-93

1. As all required additional search fees were timely paid by the applicant, this international search report covers all searchable claims.

2. As all searchable claims could be searched without effort justifying an additional fee, this Authority did not invite payment of any additional fee.

3. As only some of the required additional search fees were timely paid by the applicant, this international search report covers only those claims for which fees were paid, specifically claims Nos.:

4. No required additional search fees were timely paid by the applicant. Consequently, this international search report is restricted to the invention first mentioned in the claims; it is covered by claims Nos.:

Remark on Protest

- The additional search fees were accompanied by the applicant's protest.
- No protest accompanied the payment of additional search fees.

**ANNEX TO THE INTERNATIONAL SEARCH REPORT
ON INTERNATIONAL PATENT APPLICATION NO.**

US 9204573
SA 60912

This annex lists the patent family members relating to the patent documents cited in the above-mentioned international search report. The members are as contained in the European Patent Office EDP file on 16/03/93. The European Patent Office is in no way liable for these particulars which are merely given for the purpose of information.

Patent document cited in search report	Publication date	Patent family member(s)	Publication date
EP-A- 0410626	30-01-91	JP-A- 3058348	13-03-91
WO-A- 8904576	18-05-89	EP-A- 0385974	12-09-90
EP-A- 0338812	25-10-89	JP-A- 1267870	25-10-89
WO-A- 9114317	19-09-91	DE-A- 4008081	19-09-91
		AU-A- 7443191	10-10-91
		EP-A- 0471814	26-02-92
		JP-T- 4505984	15-10-92