



US00D460622S

(12) **United States Design Patent** (10) **Patent No.:** **US D460,622 S**
Wong (45) **Date of Patent:** **** Jul. 23, 2002**

- (54) **REMOVABLE HANDBAG ORGANIZER**
- (75) Inventor: **Diane Wong**, San Carlos, CA (US)
- (73) Assignee: **Talbery Licensing Company**, Seattle, WA (US)
- (**) Term: **14 Years**
- (21) Appl. No.: **29/136,404**
- (22) Filed: **Jan. 29, 2001**
- (51) **LOC (7) Cl.** **03-01**
- (52) **U.S. Cl.** **D3/318; D3/232; D3/245**
- (58) **Field of Search** **D3/318, 303, 232, D3/233, 245; 150/103, 104, 105, 111, 112, 113; 190/100, 110, 109, 111**

(56) **References Cited**
U.S. PATENT DOCUMENTS

| | | | | | |
|-----------|----|---|---------|-------------|---------|
| 4,811,769 | A | * | 3/1989 | Phares | 150/113 |
| D403,159 | S | * | 12/1998 | Bellehchili | D3/232 |
| D403,863 | S | * | 1/1999 | Briganti | D3/232 |
| D418,680 | S | * | 1/2000 | Du Sartel | D3/232 |
| D420,511 | S | * | 2/2000 | Du Sartel | D3/232 |
| D423,215 | S | * | 4/2000 | Furlanetto | D3/232 |
| D423,216 | S | * | 4/2000 | Medeiros | D3/232 |
| D426,060 | S | * | 6/2000 | Chapelier | D3/232 |
| D433,803 | S | * | 11/2000 | Haapala | D3/232 |
| 6,186,201 | B1 | * | 2/2001 | Salz | 150/113 |

* cited by examiner

Primary Examiner—Philip S. Hyder
(74) *Attorney, Agent, or Firm*—Miller Nash LLP

(57) **CLAIM**

The ornamental design for a removable handbag organizer, as shown and described.

DESCRIPTION

A portion of the disclosure of this patent document contains material to which a claim for copyright is made. The

copyright owner has no objection to the facsimile reproduction by anyone of the patent document or the patent disclosure, as it appears in the Patent and Trademark Office patent file or records, but reserves all other copyright rights whatsoever.

FIG. 1 is a front right perspective view of the design of a removable handbag organizer in which a pair of adjustable/retractable handles are shown in a fully extended position; FIG. 2 is a front elevational view of the organizer wherein the handles are shown in a fully extended position;

FIG. 3 is a rear elevational view of the organizer wherein the handles are shown in a fully extended position, and is a mirror image of the view illustrated in FIG. 2;

FIG. 4 is a right side elevational view of the organizer wherein the handles are shown in a fully extended position; FIG. 5 is a left side elevational view of the organizer wherein the handles are shown in a fully extended position, and is a mirror image of the view illustrated in FIG. 4;

FIG. 6 is a top plan view of the organizer wherein the handles are shown in a fully extended position;

FIG. 7 is a bottom plan view of the organizer;

FIG. 8 is a front right perspective view of the design of the removable handbag organizer in which the pair of adjustable/retractable handles are shown in a fully stowed position; and,

FIG. 9 is a perspective view of the organizer illustrating its relationship to a typical environmental structure such as a handbag. The broken line depicting the handbag is for illustrative purposes only and is not intended to form part of the claimed design.

It will be apparent to the reader that the adjustable/retractable handles of the design shown and described herein in accordance with the present invention are movable and may be positioned at any location within the range relative to the fully extended and fully stowed positions illustrated herein thereby implementing a plurality of possible views for the present invention and design which are intended to be protected hereby.

1 Claim, 5 Drawing Sheets

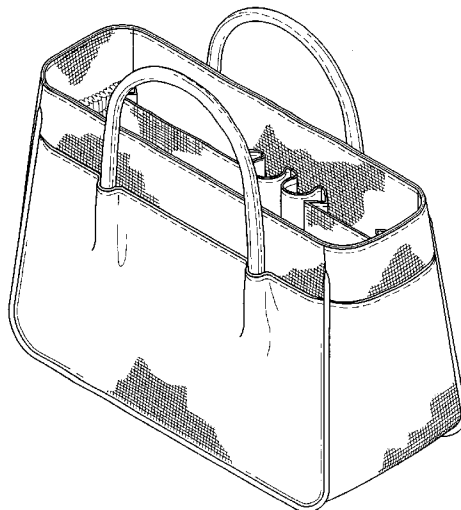


FIG. 1



FIG. 2

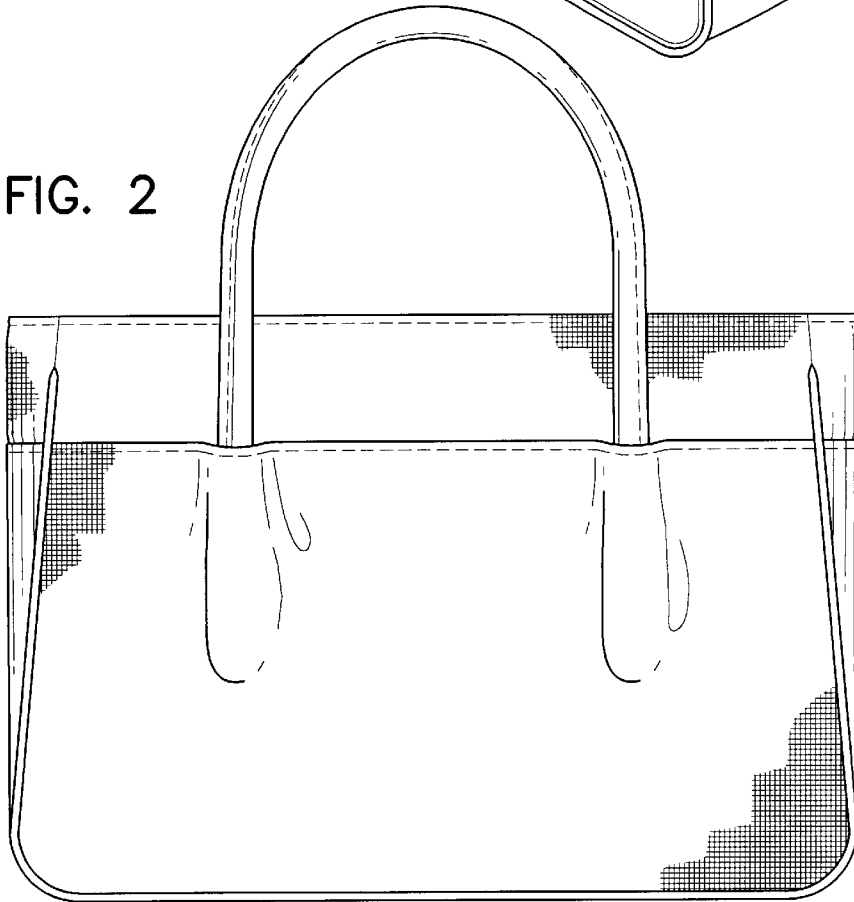


FIG. 3

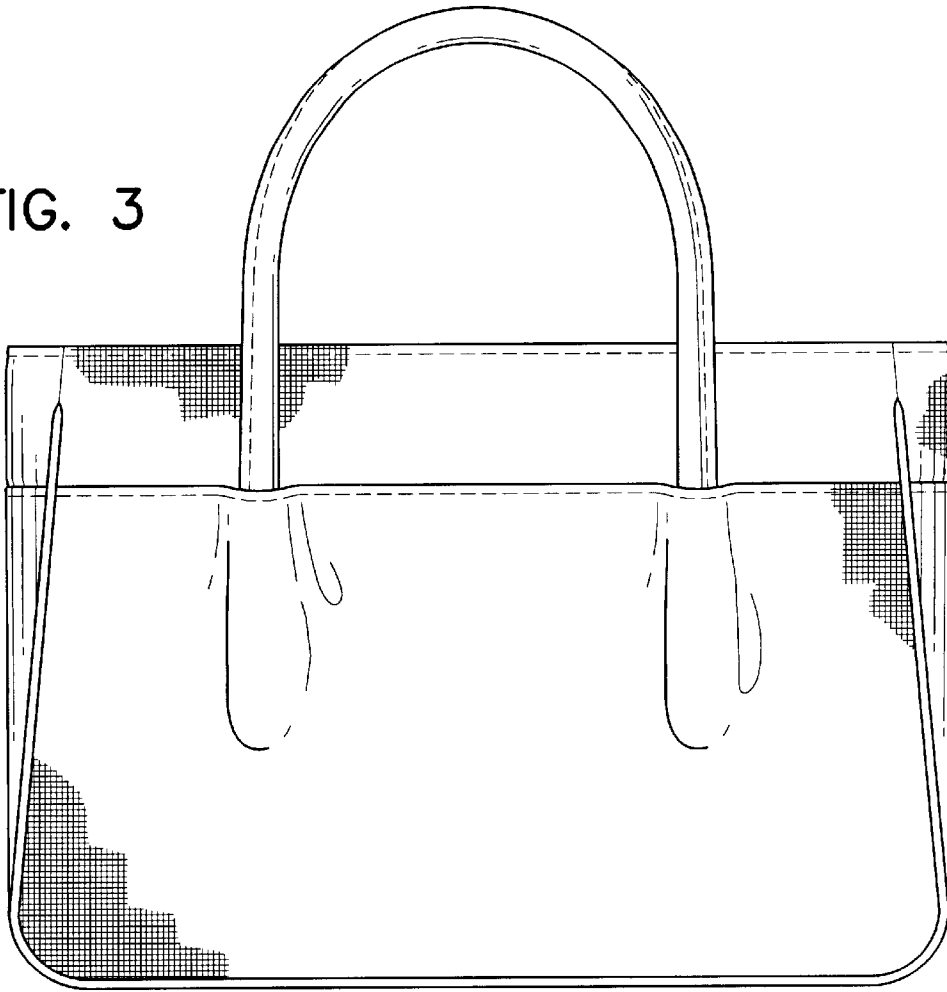


FIG. 6

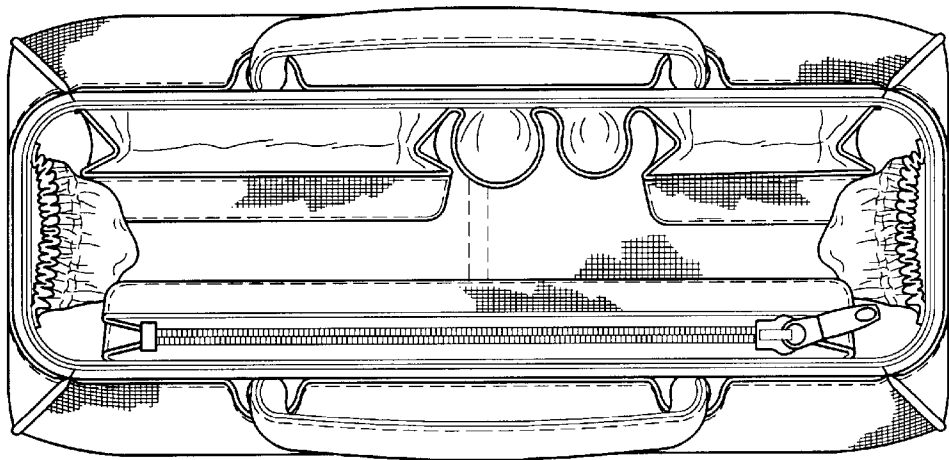


FIG. 4

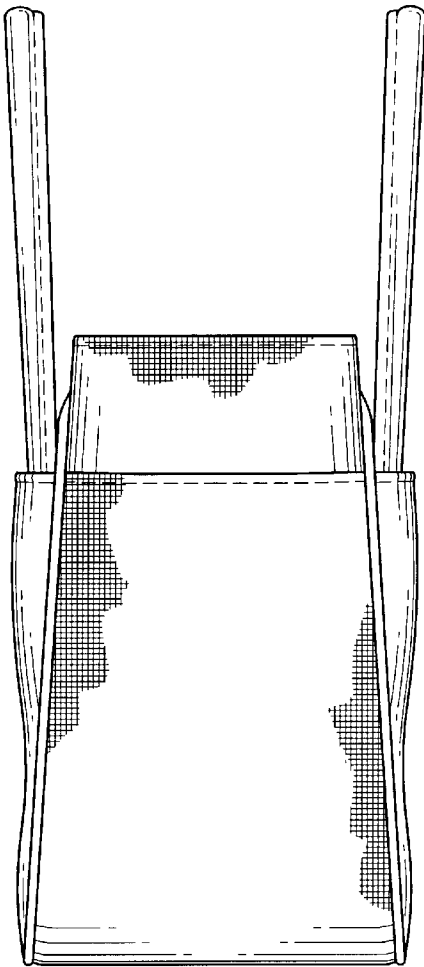


FIG. 5

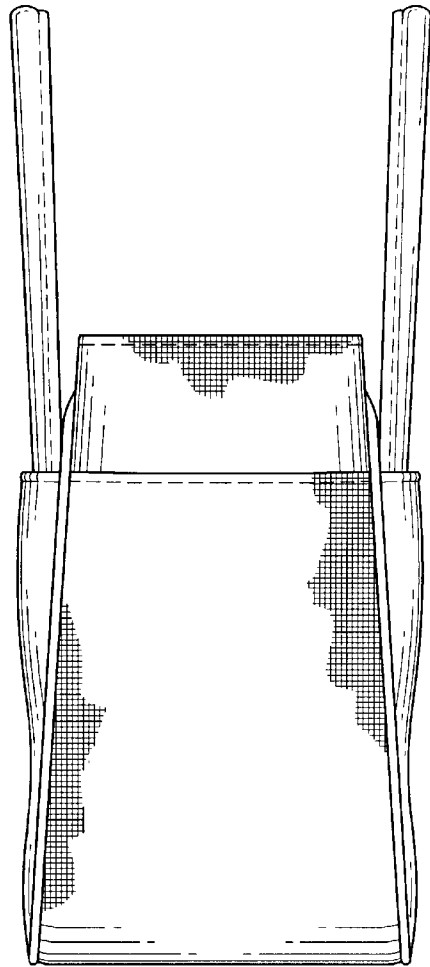


FIG. 7

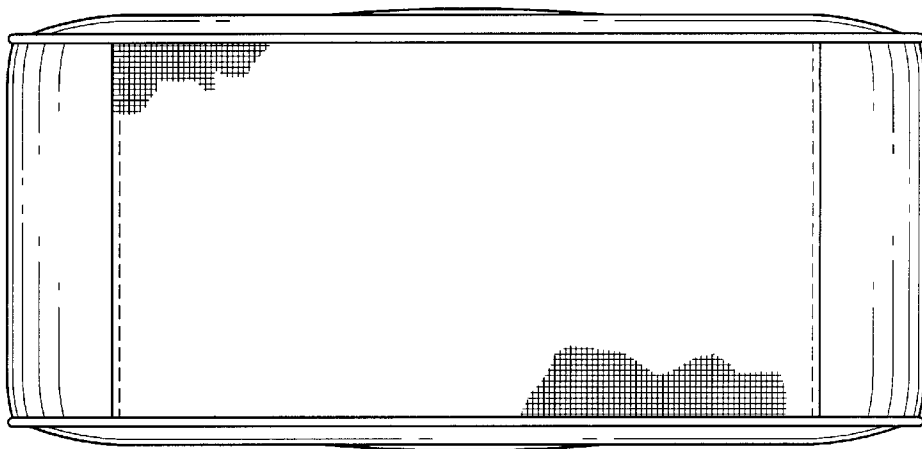


FIG. 8

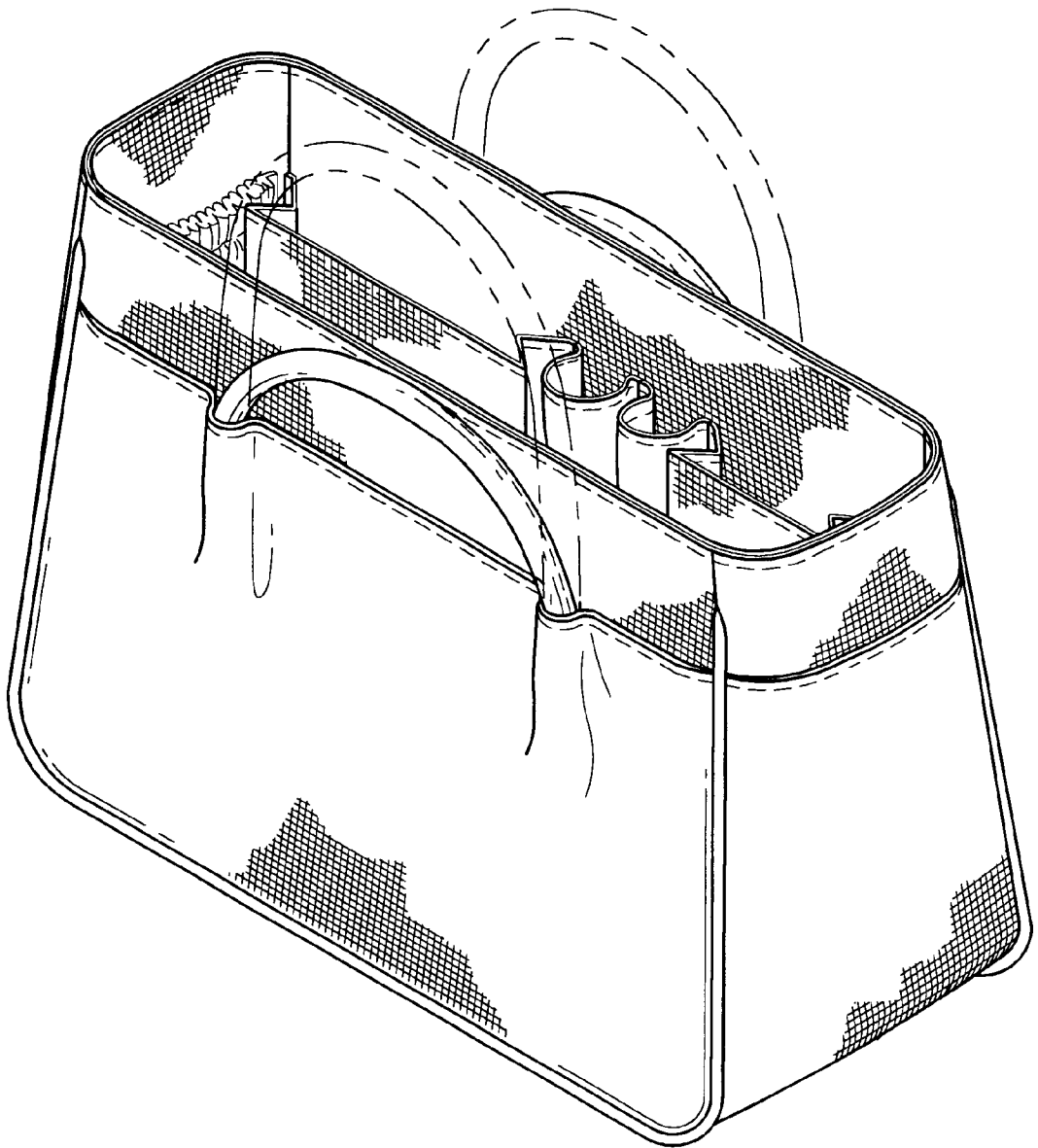


FIG. 9

