



US00D749381S

(12) **United States Design Patent**  
**Magri**

(10) **Patent No.:** **US D749,381 S**

(45) **Date of Patent:** **\*\* Feb. 16, 2016**

(54) **TRAY FOR CUPS**

(71) Applicant: **Gold Plast S.p.A.**, Arcisate VA (IT)

(72) Inventor: **Gianluca Magri**, Besano VA (IT)

(73) Assignee: **Gold Plast S.p.A.**, Arcisate VA (IT)

(\*\*) Term: **15 Years**

(21) Appl. No.: **29/536,115**

(22) Filed: **Aug. 13, 2015**

**Related U.S. Application Data**

(62) Division of application No. 29/488,739, filed on Apr. 23, 2014.

**Foreign Application Priority Data**

Nov. 29, 2013 (WO) ..... DM/082 322

(51) **LOC (10) Cl.** ..... **07-06**

(52) **U.S. Cl.**

USPC ..... **D7/701**; D7/601; D7/552.2; D24/230

(58) **Field of Classification Search**

USPC ..... D7/505, 507, 504, 552.2, 553.4, 553.6, D7/553.7, 553.8, 554.4, 558, 635, 645, D7/647, 400, 403, 410, 213, 700, 413, 690, D7/379, 551.1, 631, 506, 560, 566, 571, D7/577, 579, 584, 600.1, 601, 602, 603, D7/604, 606, 609, 611, 614, 708.1, 622, D7/537, 667, 515, 513, 396.1, 599, 586, D7/572, 578, 555, 641, 354, 567, 701, 640, D7/707, 550.1, 630, 554.1; D6/403, 404, D6/555, 556, 557, 559; 220/495.03, 220/592.04, 737; D10/46.2; D11/143, 144, D11/146, 148; D9/711, 712; D30/133; D24/230; D19/85; 206/217  
CPC ..... A47J 31/005; A47J 31/06; A47J 19/02; B01D 35/02; A47G 19/2227; A47G 23/06; A23G 9/288; A47B 13/00

See application file for complete search history.

(56) **References Cited**

U.S. PATENT DOCUMENTS

1,468,563	A *	9/1923	Girard	.....	A47B 13/00	248/174
1,992,712	A *	2/1935	Mojonnier	.....	A23G 9/288	211/85.4
2,906,412	A *	9/1959	Tanner	.....	A47G 23/06	211/74
D248,713	S *	8/1978	Dedrick	.....	D11/143	
D248,714	S *	8/1978	Dedrick	.....	D11/143	
D255,752	S *	7/1980	Kallstrom	.....	D7/552.2	
5,207,150	A *	5/1993	Wellman	.....	A21B 5/026	249/120
D442,027	S *	5/2001	Peters	.....	D7/397	
D551,038	S *	9/2007	Evaimalo	.....	D7/708	
D597,370	S *	8/2009	Watkins	.....	D7/354	
D598,566	S *	8/2009	Allaer	.....	D24/230	
D650,636	S *	12/2011	Roth	.....	D7/600.1	
D686,784	S *	7/2013	Elliott	.....	D30/133	
D708,763	S *	7/2014	Smeja	.....	D24/229	
D717,598	S *	11/2014	Lu	.....	D7/409	
D734,867	S *	7/2015	Smeja	.....	D24/230	

\* cited by examiner

*Primary Examiner* — Marianne Pandozzi

*Assistant Examiner* — Jae Liang

(74) *Attorney, Agent, or Firm* — Lucas & Mercanti LLP

(57) **CLAIM**

The ornamental design for a tray for cups, as shown and described.

**DESCRIPTION**

FIG. 1 is a top plan view of a tray for cups showing my new design;

FIG. 2 is a left side view thereof, the right side view being a mirror image thereof;

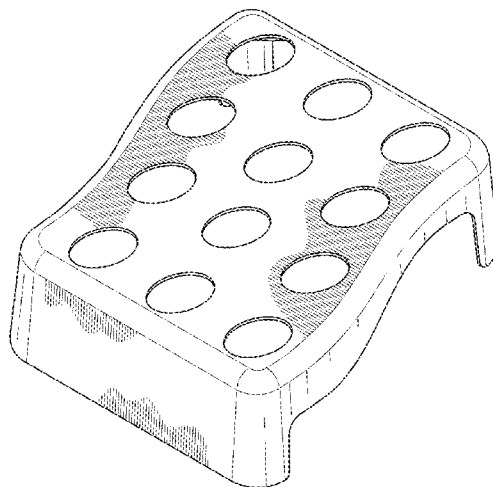
FIG. 3 is a bottom plan view thereof;

FIG. 4 is a rear view thereof;

FIG. 5 is a front perspective view thereof; and,

FIG. 6 is a side perspective view thereof.

**1 Claim, 2 Drawing Sheets**



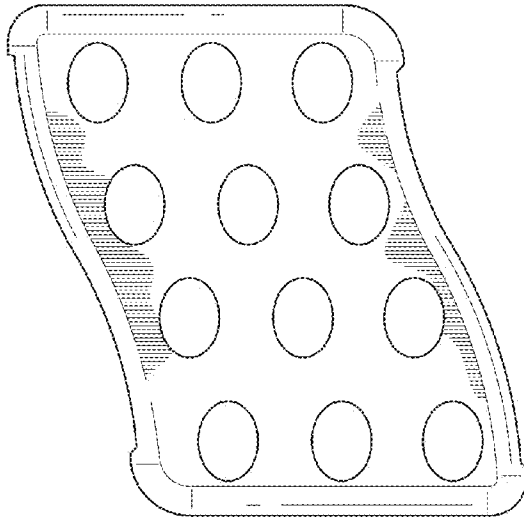


FIG. 1

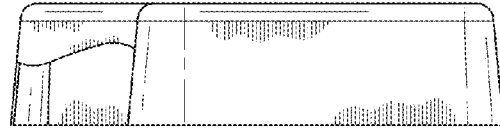


FIG. 2

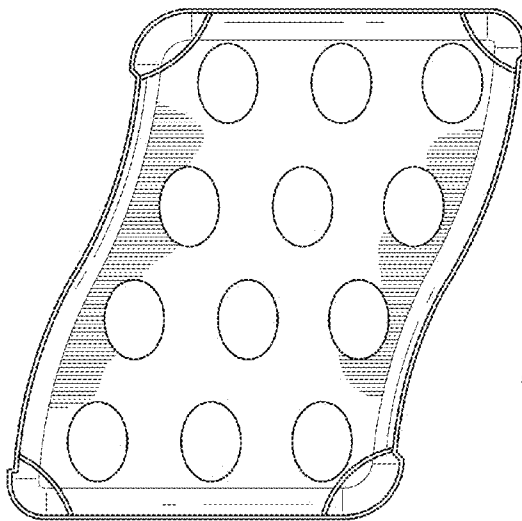


FIG. 3

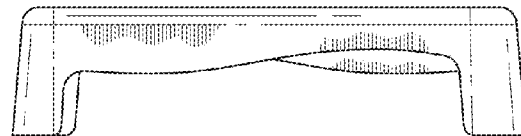


FIG. 4

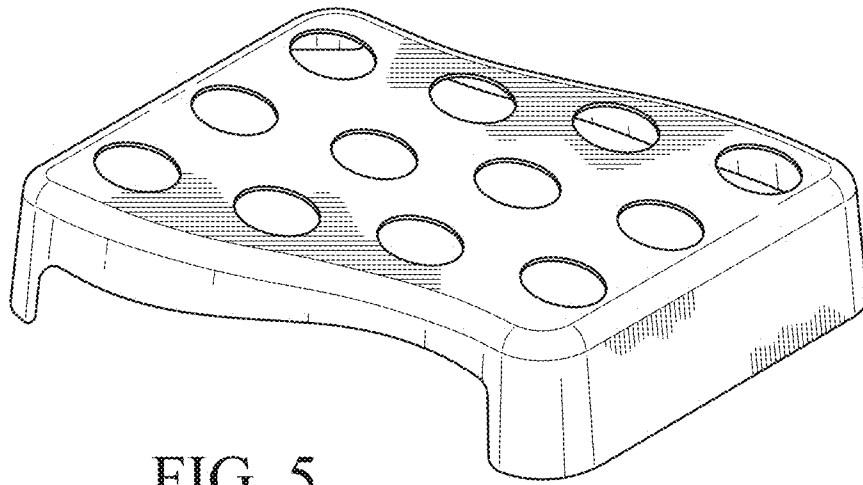


FIG. 5

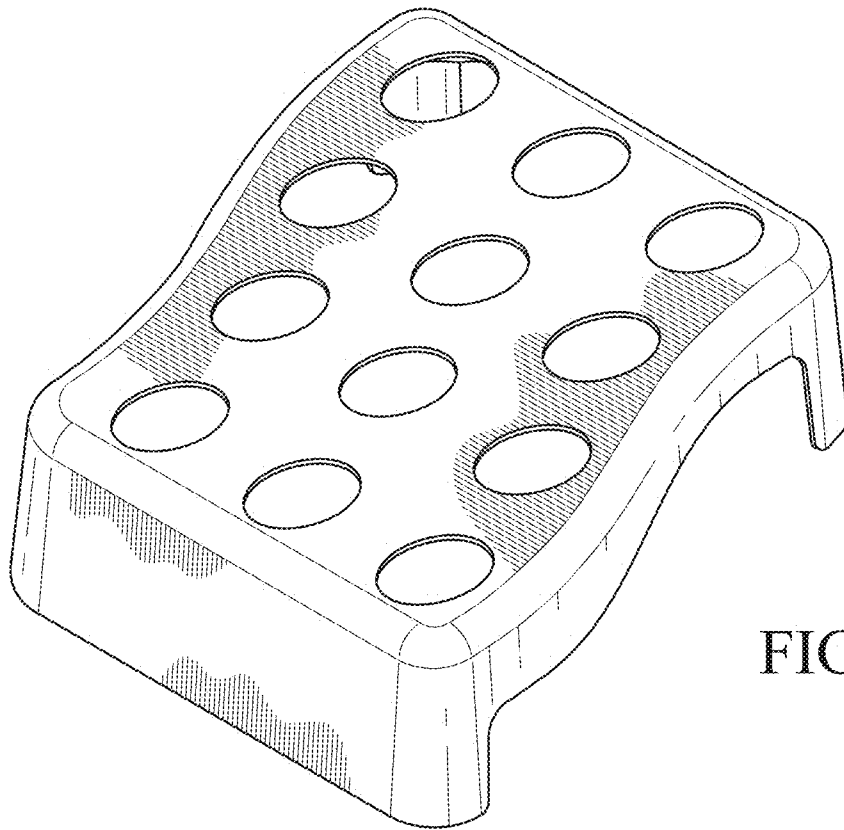


FIG. 6