



US00D901882S

(12) **United States Design Patent** (10) **Patent No.:** **US D901,882 S**  
**Tan** (45) **Date of Patent:** **\*\* Nov. 17, 2020**

(54) **SLING BAG**  
(71) Applicant: **Thousand Oaks Corp.**, Irwindale, CA (US)  
(72) Inventor: **Roger Tan**, Chino, CA (US)  
(73) Assignee: **Thousand Oaks Corp.**, Irwindale, CA (US)  
(\*\*) Term: **15 Years**

*Primary Examiner* — Holly H Baynham  
(74) *Attorney, Agent, or Firm* — J. Andrew Reed; Carstens & Cahoon, LLP

(57) **CLAIM**

The ornamental design for a sling bag, as shown and described.

(21) Appl. No.: **29/697,568**  
(22) Filed: **Jul. 9, 2019**  
(51) **LOC (12) Cl.** ..... **03-01**  
(52) **U.S. Cl.**  
USPC ..... **D3/232**  
(58) **Field of Classification Search**  
USPC ..... D3/232–233, 240–243, 245–246  
CPC ..... A45C 1/024; A45C 3/08; A45C 3/06  
See application file for complete search history.

**DESCRIPTION**

FIG. 1 is a front elevation view of the sling bag;  
FIG. 2 is a rear elevation view of the sling bag;  
FIG. 3 is a left side elevation view of the sling bag;  
FIG. 4 is a right side elevation view of the sling bag;  
FIG. 5 is a top view of the sling bag;  
FIG. 6 is a bottom view of the sling bag;  
FIG. 7 is a left side perspective view of the sling bag;  
FIG. 8 is a right side perspective view of the sling bag;  
FIG. 9 is a front perspective small interior view of the sling bag; and,  
FIG. 10 is a front perspective large interior view of the sling bag.  
The various components shown in broken line illustrations are shown in broken lines for illustrative purposes only and form no part of the claimed design.

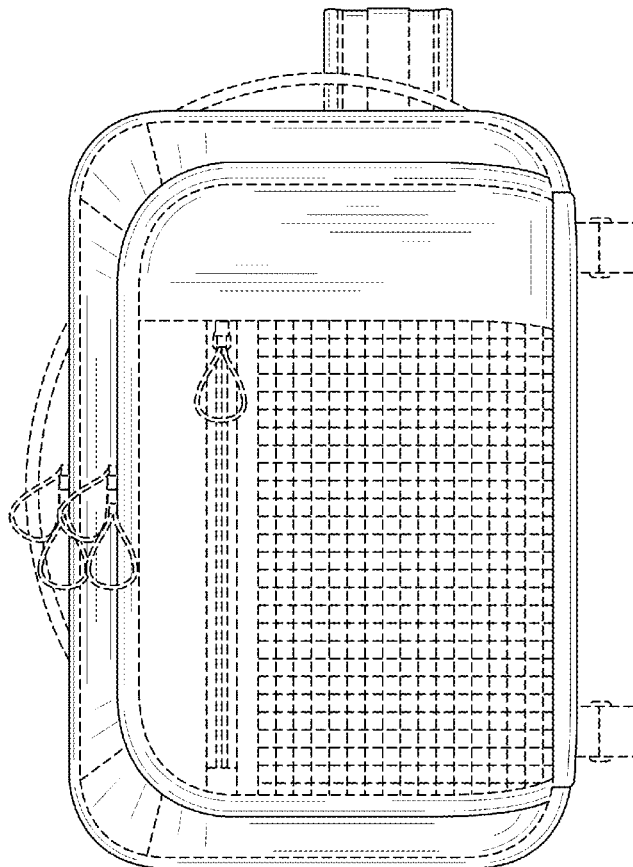
(56) **References Cited**

**U.S. PATENT DOCUMENTS**

D528,295 S \* 9/2006 Harvey ..... D3/252  
D676,652 S \* 2/2013 Holloway ..... D3/232

\* cited by examiner

**1 Claim, 9 Drawing Sheets**



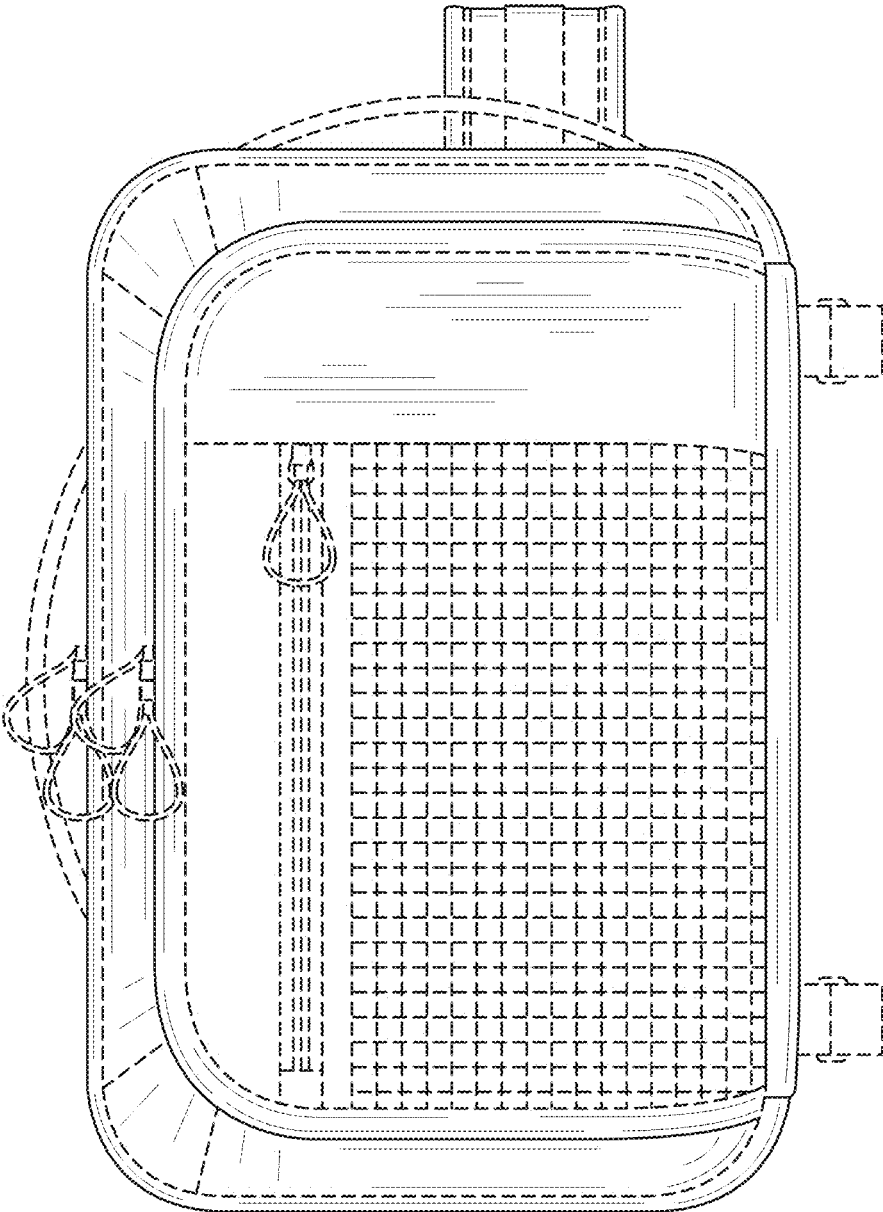


FIG. 1

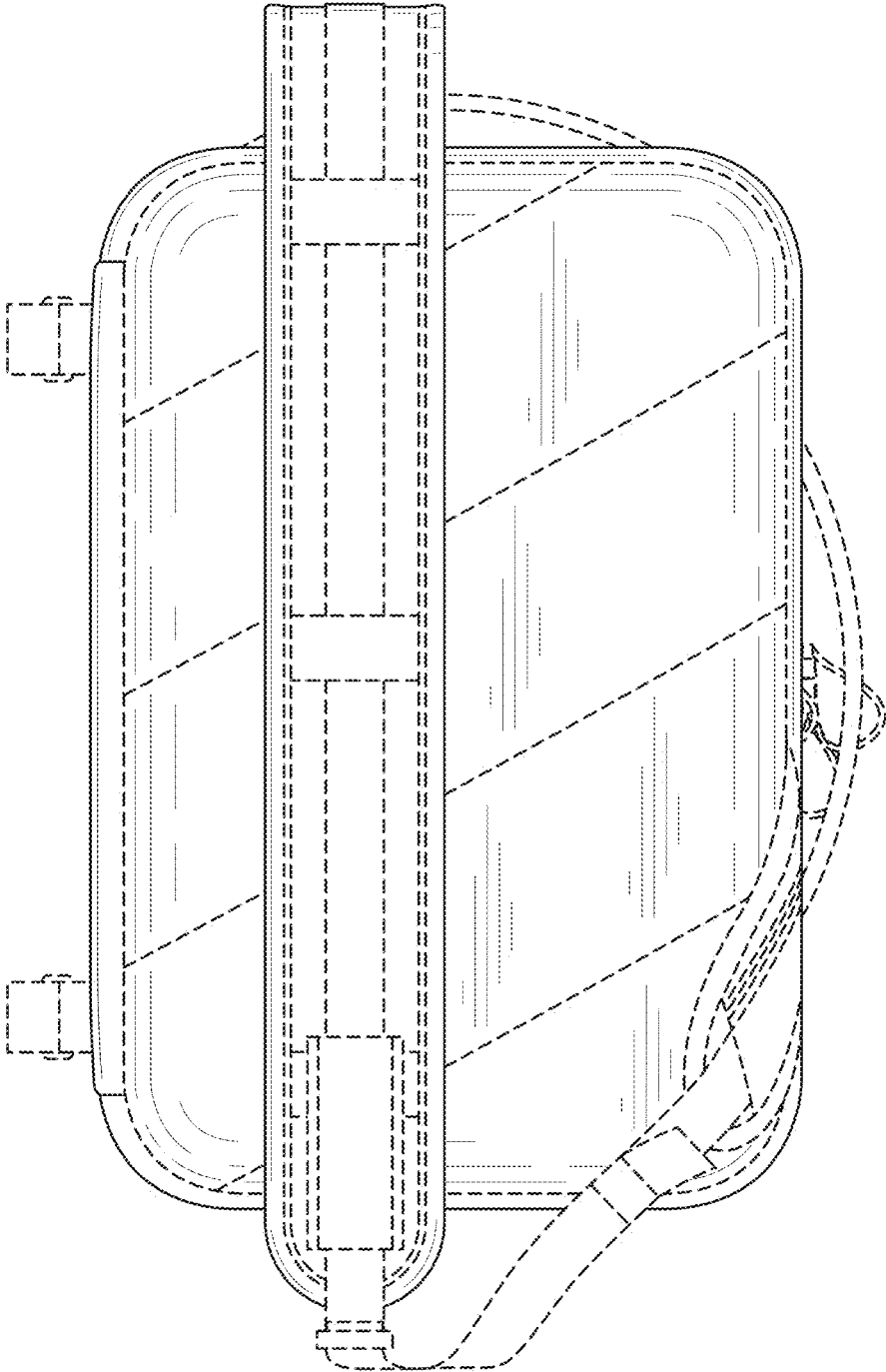


FIG. 2

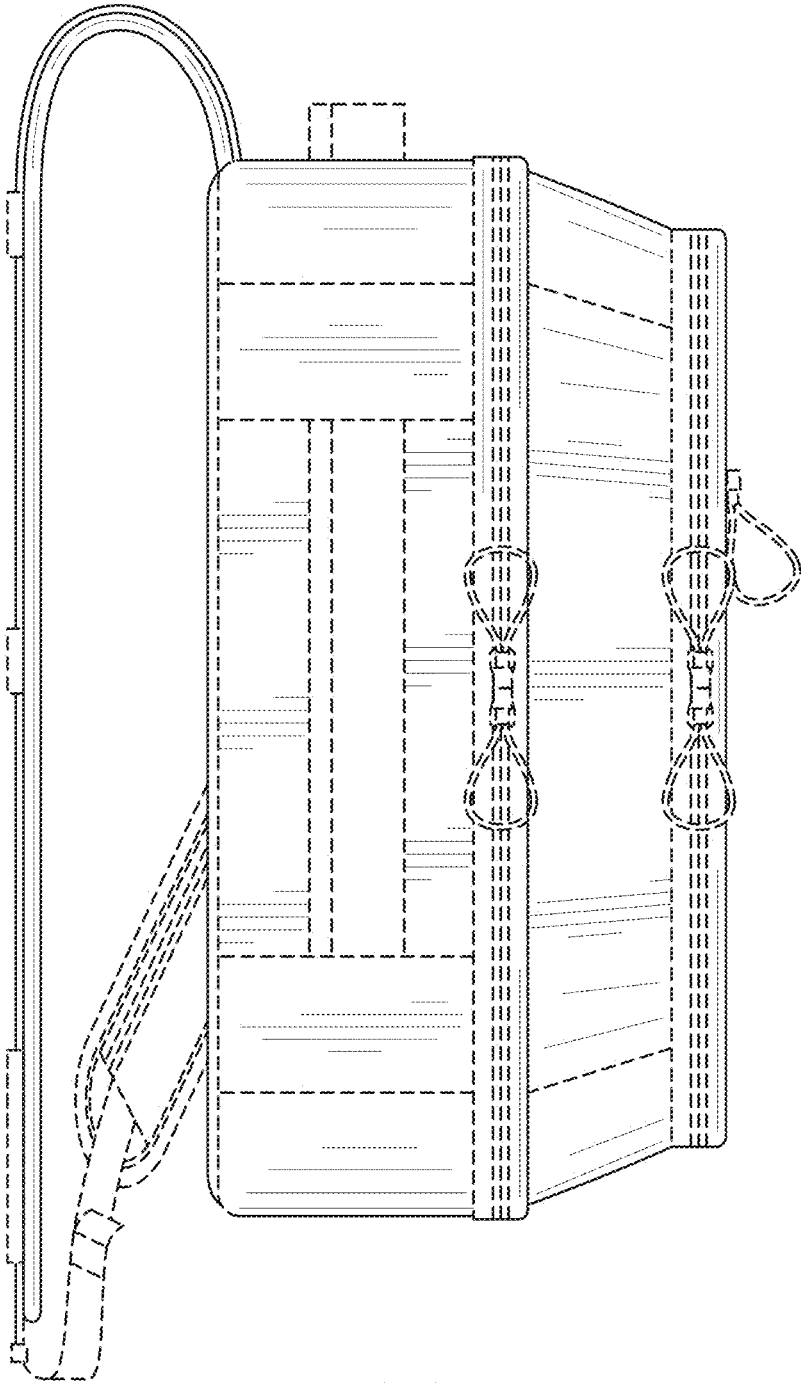


FIG. 3

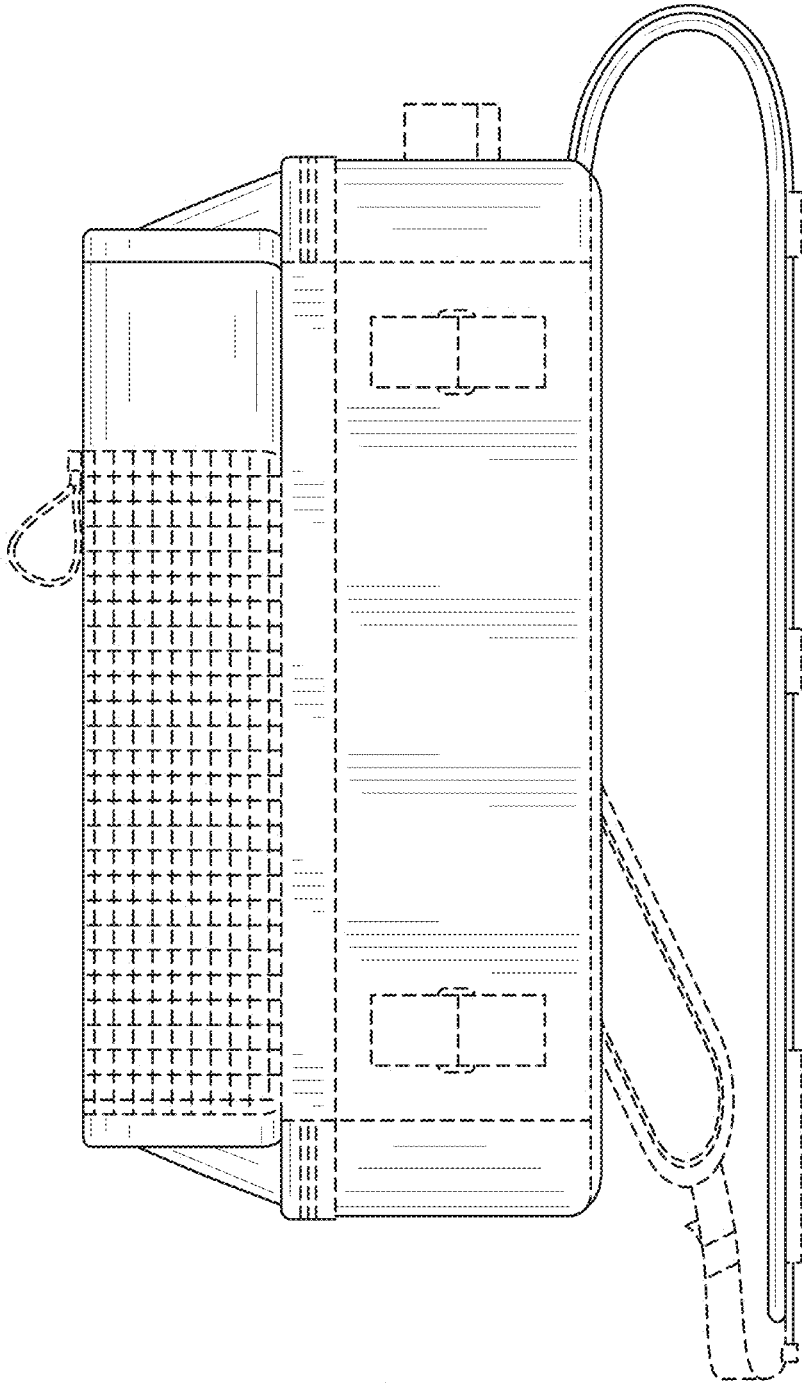


FIG. 4

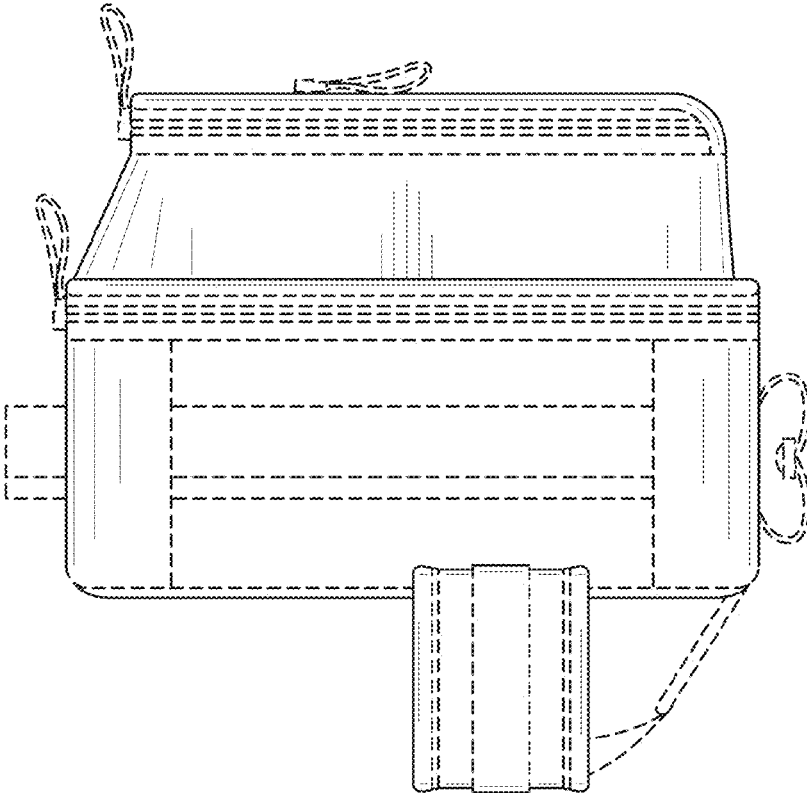


FIG. 5

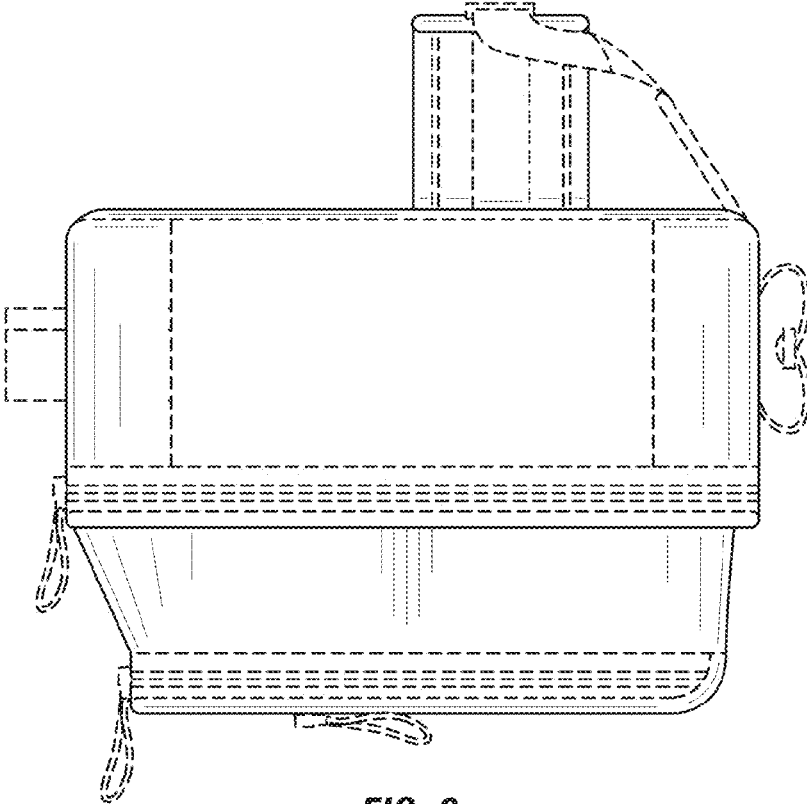
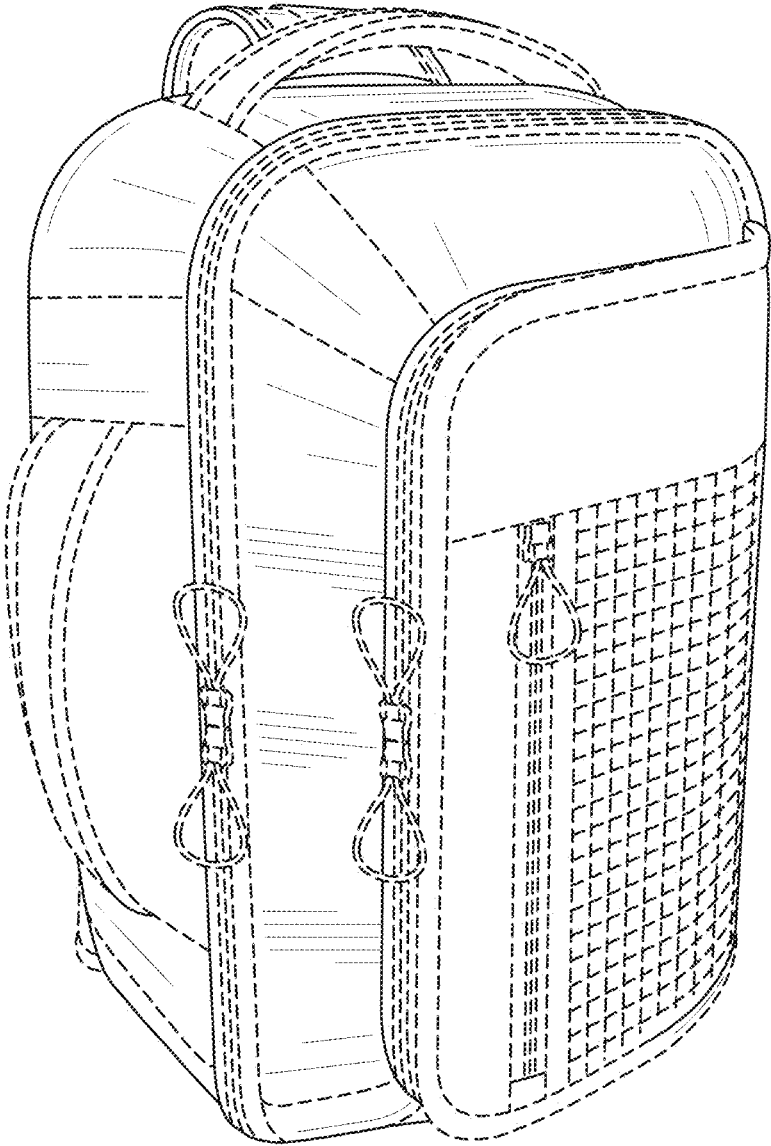


FIG. 6



**FIG. 7**

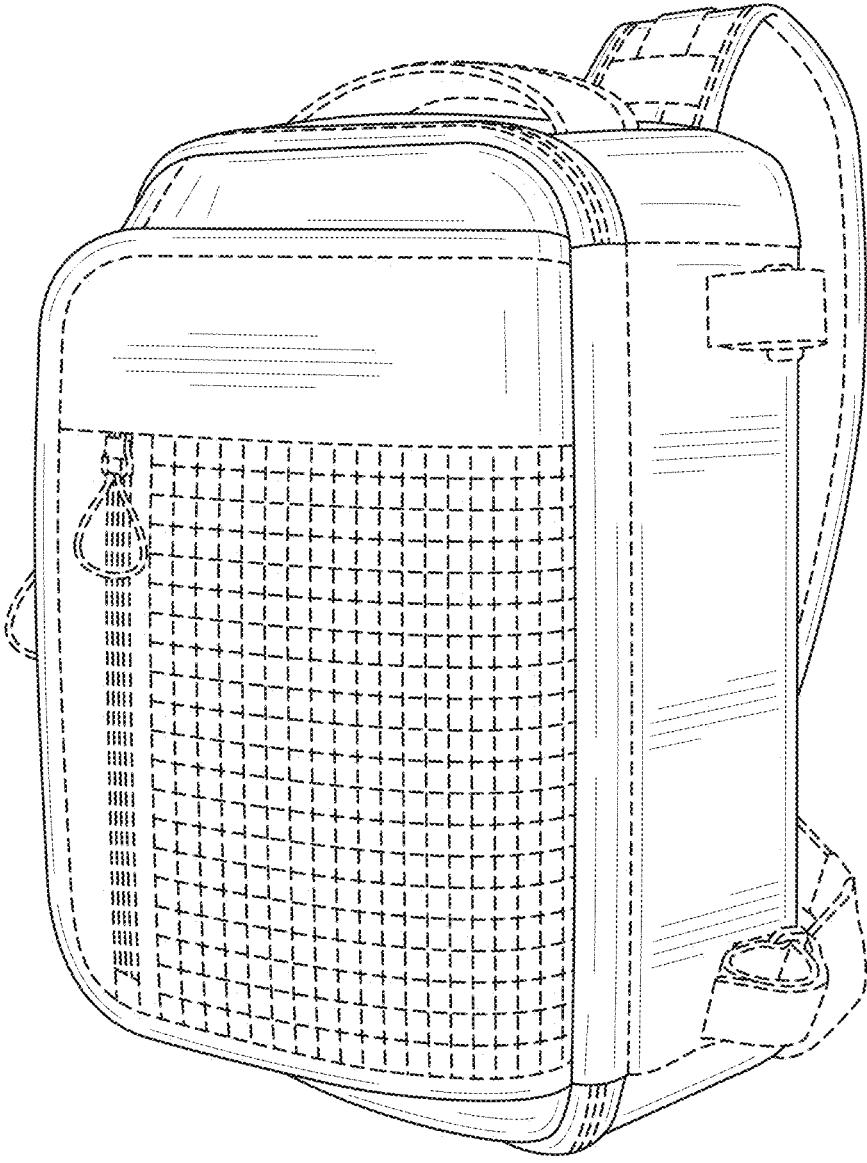


FIG. 8



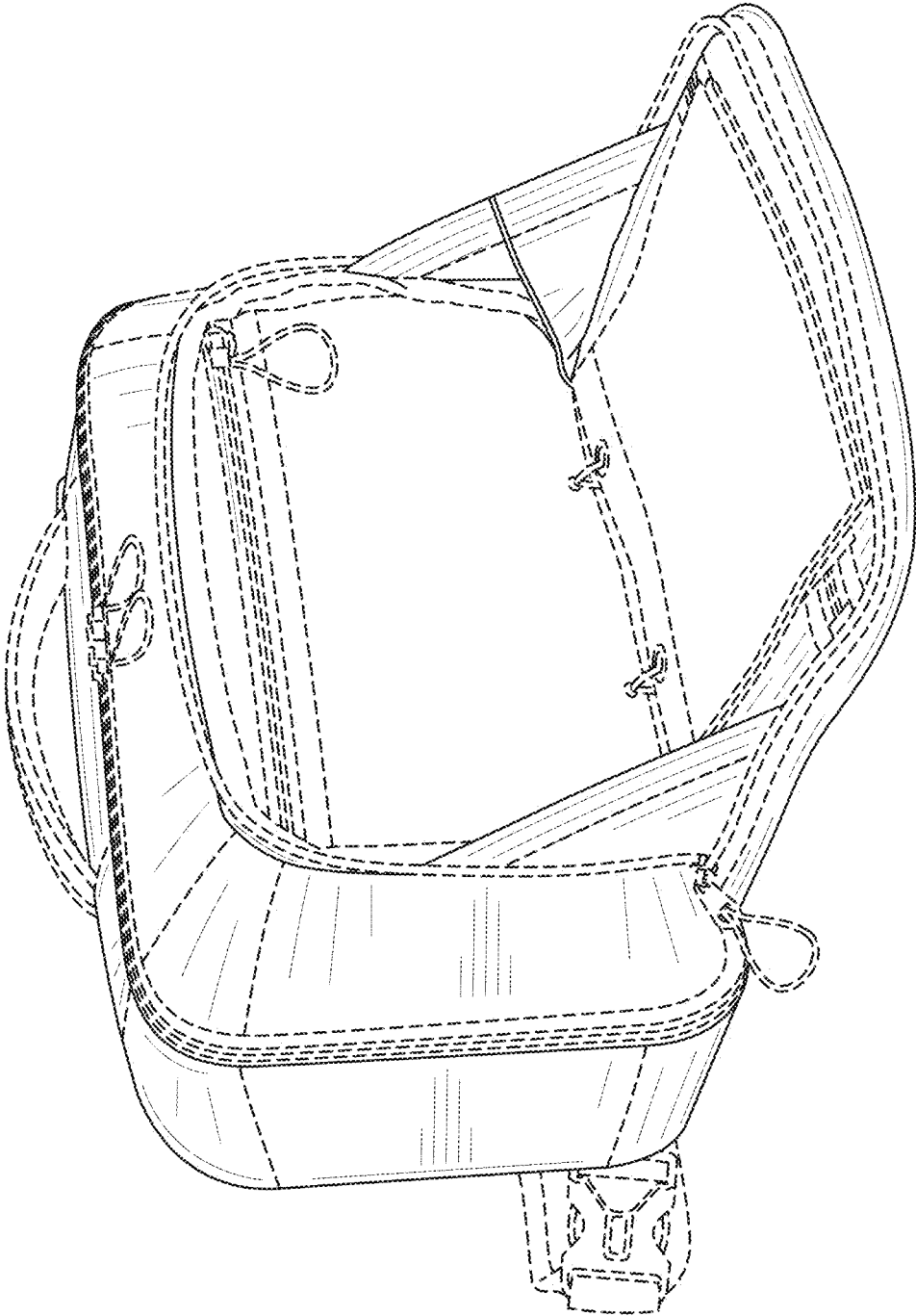


FIG. 9

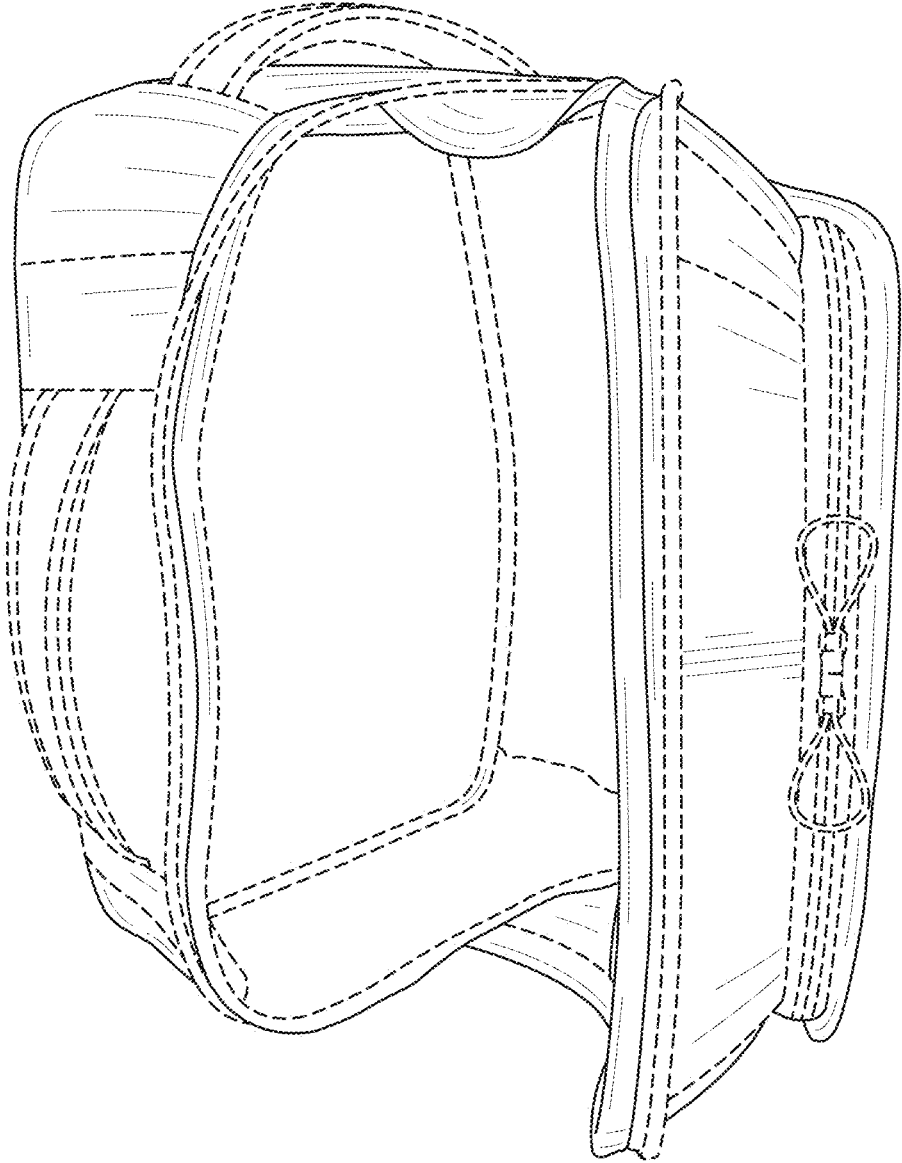


FIG. 10