



US00D589709S

(12) **United States Design Patent**  
**Edwards**

(10) **Patent No.:** **US D589,709 S**

(45) **Date of Patent:** **\*\* Apr. 7, 2009**

(54) **BOOT VALET**

D506,076 S \* 6/2005 Weisgerber ..... D6/317  
D526,131 S \* 8/2006 McGowan ..... D6/317

(75) Inventor: **Gavin Edwards**, 101 NW. Olinka Pass,  
Bentonville, AR (US) 72712

\* cited by examiner

(73) Assignee: **Gavin Edwards**, Bentonville, AR (US)

*Primary Examiner*—Stella M Reid

*Assistant Examiner*—Shanda C Hill

(\*\*) Term: **14 Years**

(74) *Attorney, Agent, or Firm*—Keisling, Pieper & Scott,  
PLC; Meredith K. Lowry

(21) Appl. No.: **29/310,145**

(57) **CLAIM**

(22) Filed: **Jul. 28, 2008**

The ornamental design for a boot valet, as shown and described.

(51) **LOC (9) Cl.** ..... **06-08**

(52) **U.S. Cl.** ..... **D6/317**

(58) **Field of Classification Search** ..... D6/315,  
D6/317, 318, 319, 323, 263; 211/1, 13.1,  
211/32, 85.3, 116, 119, 123; 223/85-98;  
D8/367, 370, 373

See application file for complete search history.

**DESCRIPTION**

FIG. 1 is a front elevational view of a boot valet showing my new design;

FIG. 2 is a left side elevational view thereof;

FIG. 3 is a right side elevational view thereof;

FIG. 4 is top plan view thereof;

FIG. 5 is bottom plan view thereof;

FIG. 6 is rear elevational view thereof;

FIG. 7 is a front perspective view thereof; and,

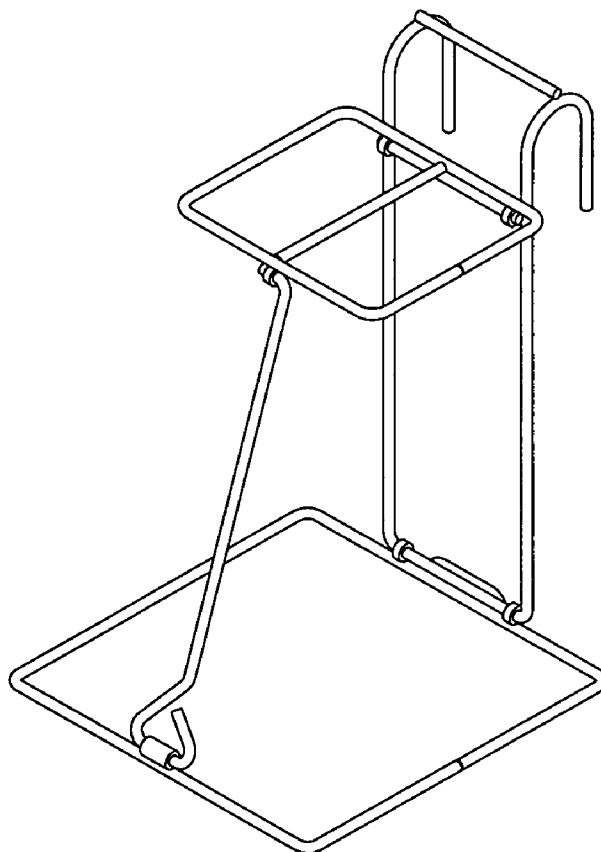
FIG. 8 is rear perspective view thereof.

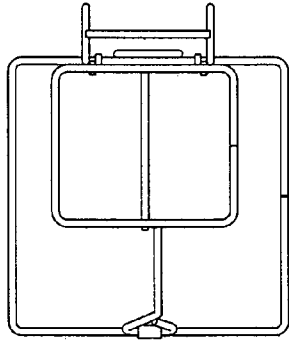
(56) **References Cited**

**U.S. PATENT DOCUMENTS**

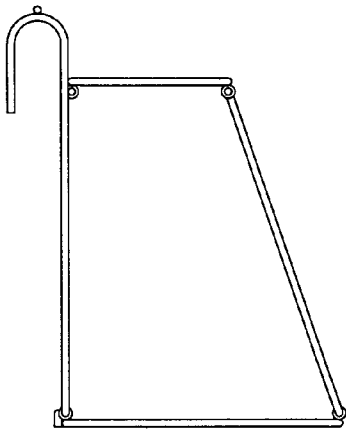
2,777,582	A	*	1/1957	Van Dusen	.....	211/119
D201,112	S	*	5/1965	Stein	.....	D6/315
3,370,715	A	*	2/1968	Kolozsvari	.....	211/116
D228,997	S	*	11/1973	Wahl	.....	D6/317
D246,218	S	*	11/1977	Goodman	.....	D6/317
D428,711	S	*	8/2000	Rowley	.....	D6/317

**1 Claim, 2 Drawing Sheets**

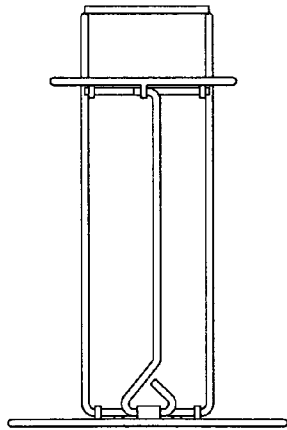




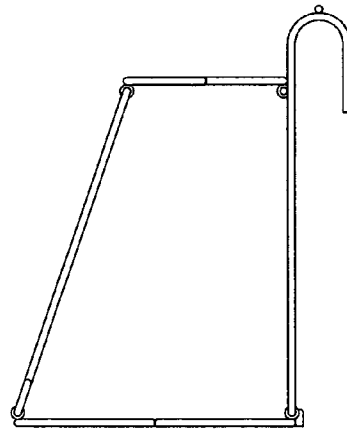
**FIG. 4**



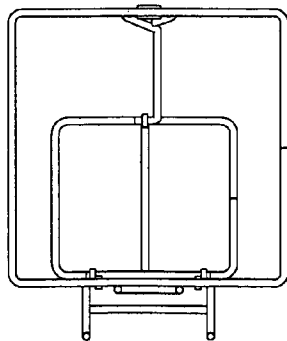
**FIG. 2**



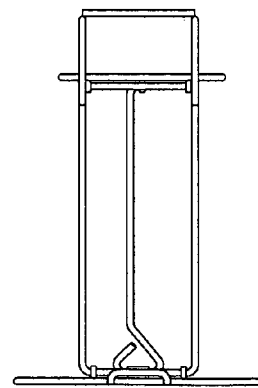
**FIG. 1**



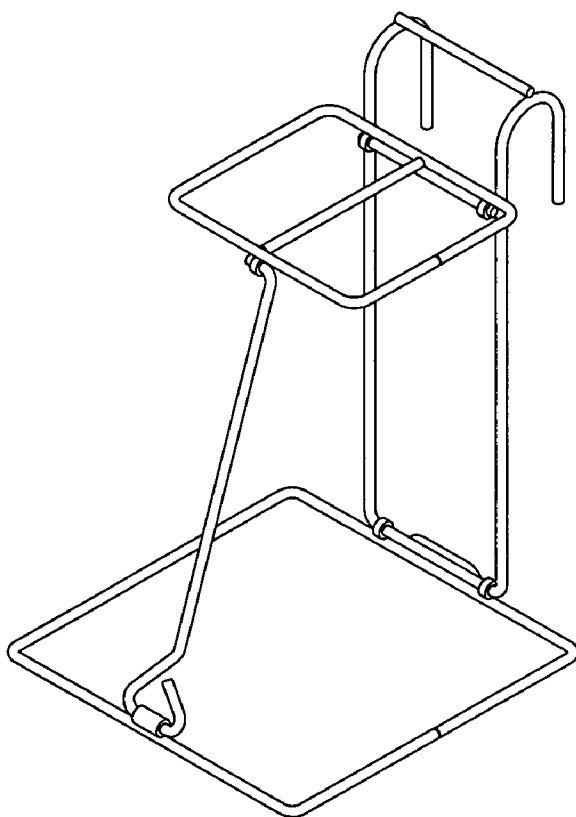
**FIG. 3**



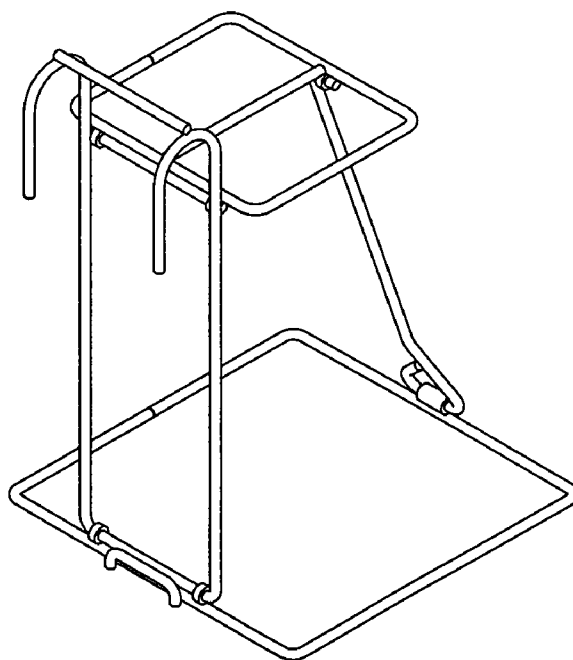
**FIG. 5**



**FIG. 6**



*FIG. 7*



*FIG. 8*