



(12) **United States Design Patent**
Boroski et al.

(10) **Patent No.:** **US D778,677 S**
(45) **Date of Patent:** **** Feb. 14, 2017**

- (54) **BOTTLE**
- (71) Applicants: **Dwayne Boroski**, Lake in the Hills, IL (US); **Marvin Lane**, Wheeling, IL (US)
- (72) Inventors: **Dwayne Boroski**, Lake in the Hills, IL (US); **Marvin Lane**, Wheeling, IL (US)
- (73) Assignee: **THERMOS L.L.C.**, Schaumburg, IL (US)
- (**) Term: **14 Years**
- (21) Appl. No.: **29/523,228**

D318,980 S *	8/1991	Unger	D7/535
D332,215 S	1/1993	Halvorson	
D346,801 S	5/1994	Traina	
D364,781 S *	12/1995	Fenton	D7/529
D427,913 S	7/2000	Davies	
D430,793 S	9/2000	Baron	
D468,588 S	1/2003	Norris et al.	
D492,158 S	6/2004	Bodum	
D518,381 S	4/2006	Egawa	
D531,451 S *	11/2006	Bin	D7/510
D534,396 S	1/2007	Kramer	
D538,110 S	3/2007	Kitamura et al.	
D544,302 S *	6/2007	Gibbons	D7/510
D549,048 S *	8/2007	Duke	D7/510
D555,430 S	11/2007	Tien	
D562,137 S	2/2008	Florio	
D567,589 S *	4/2008	Freeman	D7/533

(Continued)

- (22) Filed: **Apr. 7, 2015**
- (51) **LOC (10) Cl.** **07-01**
- (52) **U.S. Cl.**
USPC **D7/511; D7/510; D7/529; D7/530; D7/533; D9/552**

- (58) **Field of Classification Search**
USPC D7/507-512, 529-532, 533, 536, 213, D7/392.1, 396.1, 396.2, 396.4, 900, 608; D9/503, 504, 555, 568, 554, 567, 904, D9/453, 442, 443, 773, 434, 435, 440, D9/444, 447, 449, 526, 552, 571; D3/202; D24/197, 122; 220/592.16, 592.17, 220/592.27; 215/381-384
CPC B65D 23/00; B65D 47/066; B65D 41/04; B65D 41/0414; B65D 47/08; A45F 3/16
See application file for complete search history.

(56) **References Cited**
U.S. PATENT DOCUMENTS

D49,139 S	6/1916	Curtiss	
D216,407 S	12/1969	Eberhard et al.	
D262,192 S	12/1981	Wedge	
D262,932 S	2/1982	Daenen	
D283,596 S	4/1986	Fortuna et al.	
D286,508 S	11/1986	Tilden	
D289,858 S	5/1987	Duval	
D308,828 S *	6/1990	Magnusson	D9/438

OTHER PUBLICATIONS

U.S. Appl. No. 29/556,513, filed Mar. 1, 2016 (43 pages).
(Continued)

Primary Examiner — Marianne Pandozzi
Assistant Examiner — Jae Liang
(74) *Attorney, Agent, or Firm* — Polsinelli PC

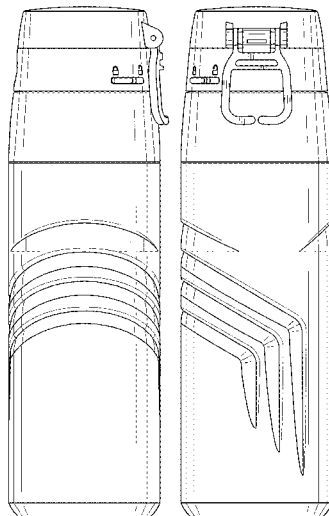
(57) **CLAIM**

The ornamental design for a bottle, as shown and described.

DESCRIPTION

FIG. 1 is a perspective view of a bottle showing our new design;
FIG. 2 is a front view of the bottle;
FIG. 3 is a rear view of the bottle;
FIG. 4 is a right side view of the bottle;
FIG. 5 is a left side view of the bottle;
FIG. 6 is a top view of the bottle; and,
FIG. 7 is a bottom view of the bottle.
The broken lines in the drawing depict portions of the bottle that form no part of the claimed design.

1 Claim, 4 Drawing Sheets



(56)

References Cited

U.S. PATENT DOCUMENTS

D584,613 S 1/2009 Yan et al.
 D587,069 S 2/2009 Bodum
 D590,661 S 4/2009 Kitamura et al.
 D602,782 S * 10/2009 Lepoitevin D9/453
 D604,561 S 11/2009 Chisholm
 D609,053 S * 2/2010 Dingenouts D7/509
 D617,144 S * 6/2010 O'Connor D7/396.2
 D619,418 S 7/2010 Nezu et al.
 D622,545 S 8/2010 Wahl
 D622,553 S 8/2010 Bollenbacher
 D630,044 S 1/2011 Lane et al.
 D630,473 S 1/2011 Poppie
 D637,455 S 5/2011 Lipson
 D639,113 S * 6/2011 Hayes D7/509
 D642,472 S 8/2011 Concin et al.
 D642,473 S * 8/2011 Vanhooland D9/516
 8,016,148 B2 9/2011 Walsh
 D649,881 S 12/2011 Rinderer et al.
 D655,134 S 3/2012 Gilbert
 D655,569 S 3/2012 Lipson
 D655,581 S 3/2012 Kotani
 D656,025 S 3/2012 Carreno
 D658,445 S 5/2012 Carreno
 D660,081 S * 5/2012 Gilbert D7/396.2
 D660,082 S 5/2012 Wahl
 D660,705 S 5/2012 Simmons et al.
 D672,648 S 12/2012 Goto et al.
 D675,865 S * 2/2013 Wahl D7/392.1
 D680,369 S 4/2013 Starks
 D686,872 S * 7/2013 Lane D7/392.1
 8,474,648 B1 7/2013 Ritzen
 D688,949 S 9/2013 Johnson et al.

D690,557 S * 10/2013 Carreno D7/510
 D695,069 S * 12/2013 Lane D7/510
 D699,516 S 2/2014 Kim et al.
 D700,802 S 3/2014 Miller
 D702,505 S 4/2014 Nakatani
 D707,492 S * 6/2014 George D7/510
 D710,653 S 8/2014 Goto et al.
 D718,626 S * 12/2014 Lane D9/449
 D718,980 S 12/2014 Lapsker
 D722,249 S 2/2015 Valderrama et al.
 D725,966 S * 4/2015 Boroski D7/511
 D725,968 S 4/2015 George
 D727,685 S 4/2015 He
 D734,154 S 7/2015 Johnson et al.
 D735,580 S * 8/2015 Bourne D9/538
 D740,073 S 10/2015 Zorovich et al.
 D744,290 S 12/2015 Endo
 D752,446 S * 3/2016 Jasso Gomez D9/543
 2003/0080135 A1 5/2003 Bezek
 2008/0101850 A1 5/2008 Wojcik et al.
 2009/0290928 A1 11/2009 Samuelson et al.
 2010/0219153 A1 * 9/2010 Mooney B65D 1/0223
 215/381
 2016/0000245 A1 * 1/2016 Sims A47G 19/2272
 220/253
 2016/0115008 A1 4/2016 Bohan

OTHER PUBLICATIONS

U.S. Appl. No. 29/523,348, filed Apr. 8, 2015 (16 pages).
 U.S. Appl. No. 29/523,349, filed Apr. 8, 2015 (16 pages).
 U.S. Appl. No. 29/523,341, filed Apr. 8, 2015 (18 pages).

* cited by examiner

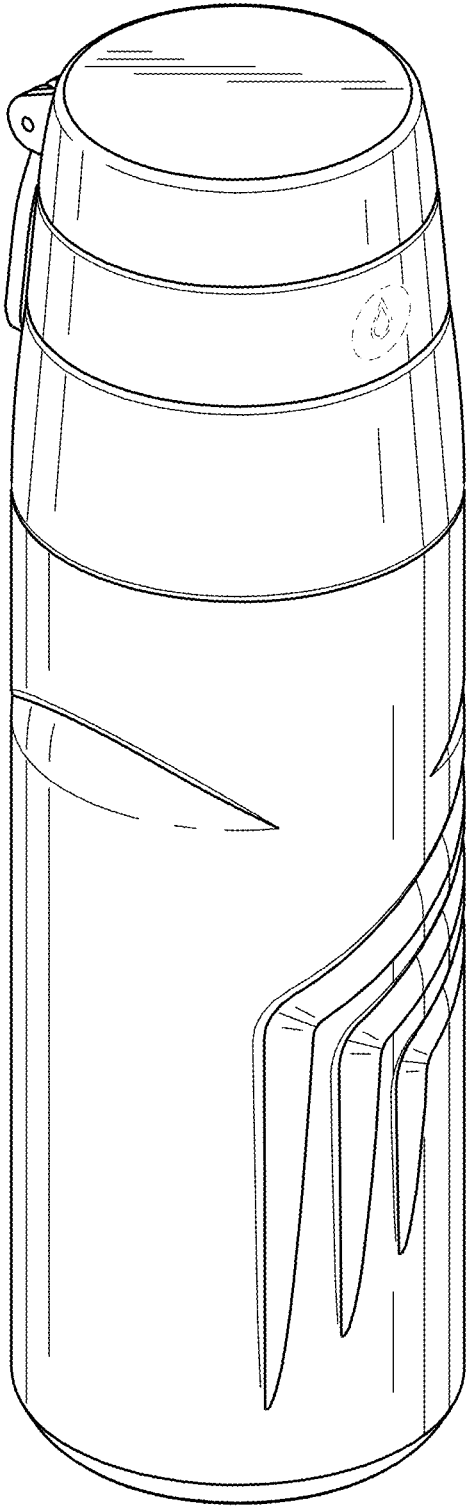


FIG. 1

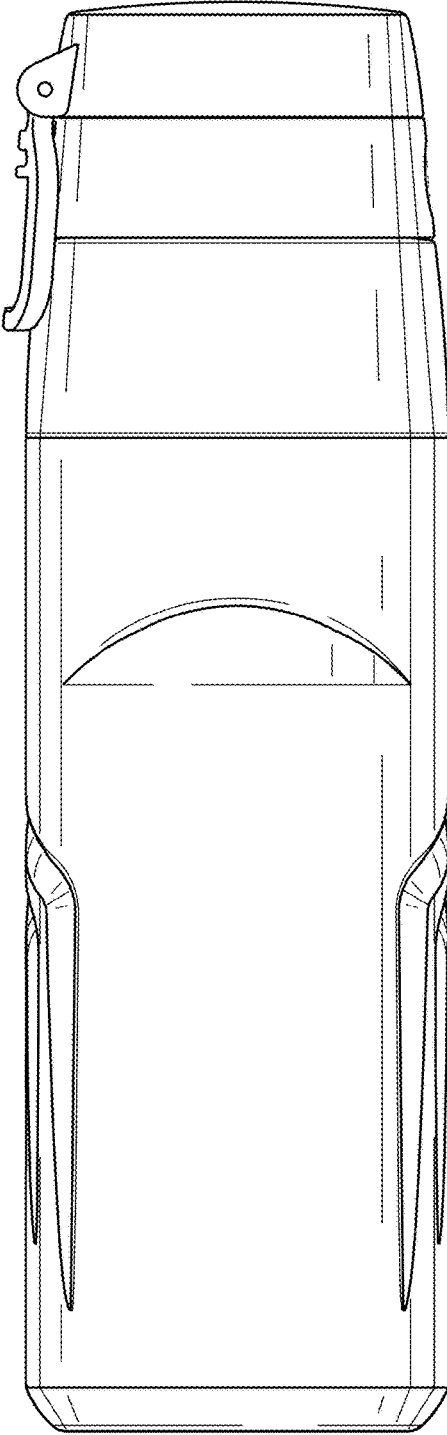


FIG. 2

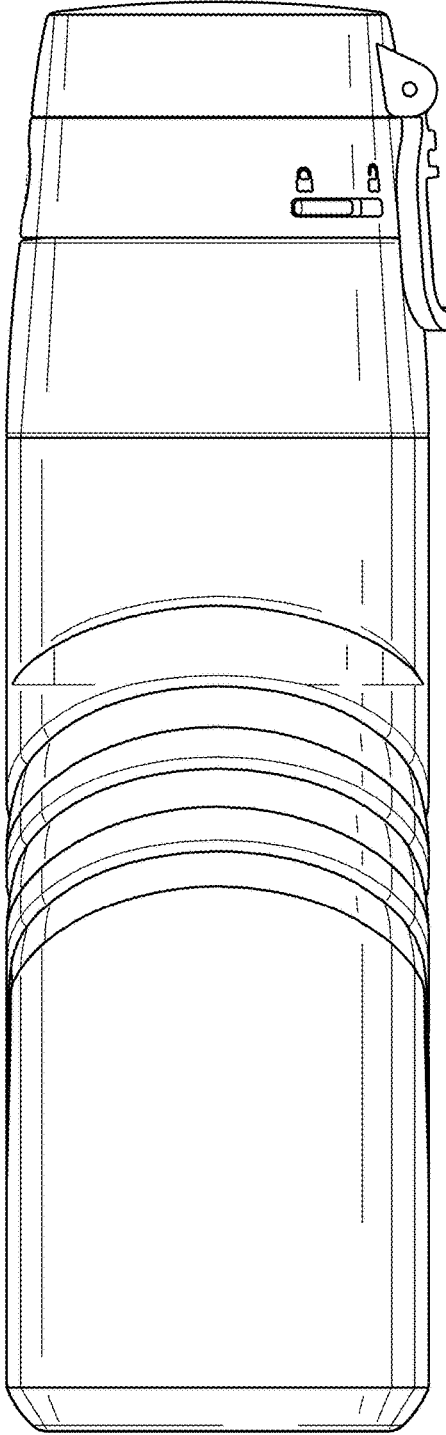


FIG. 3

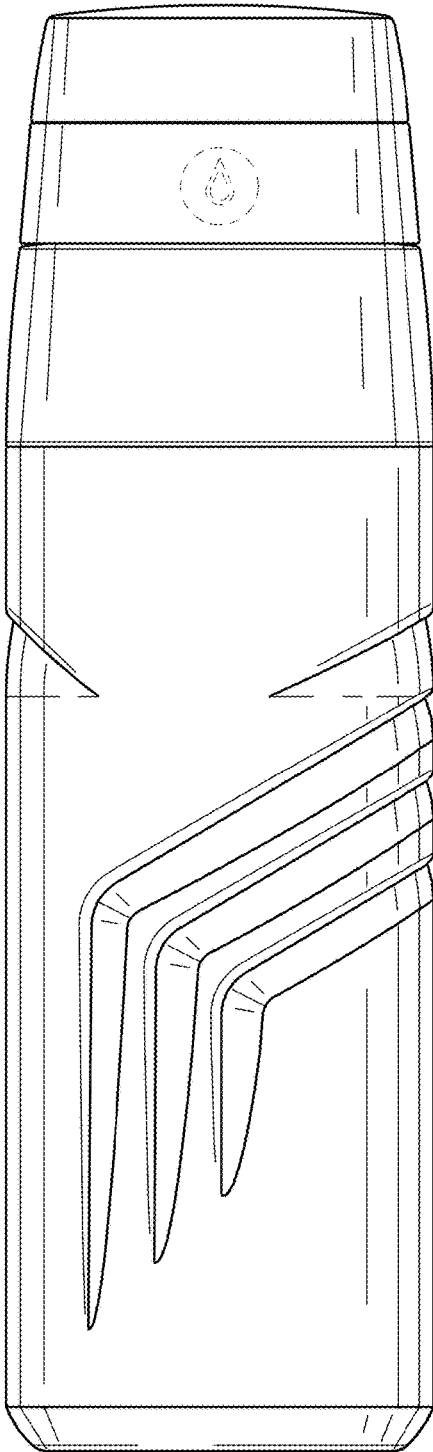


FIG. 4

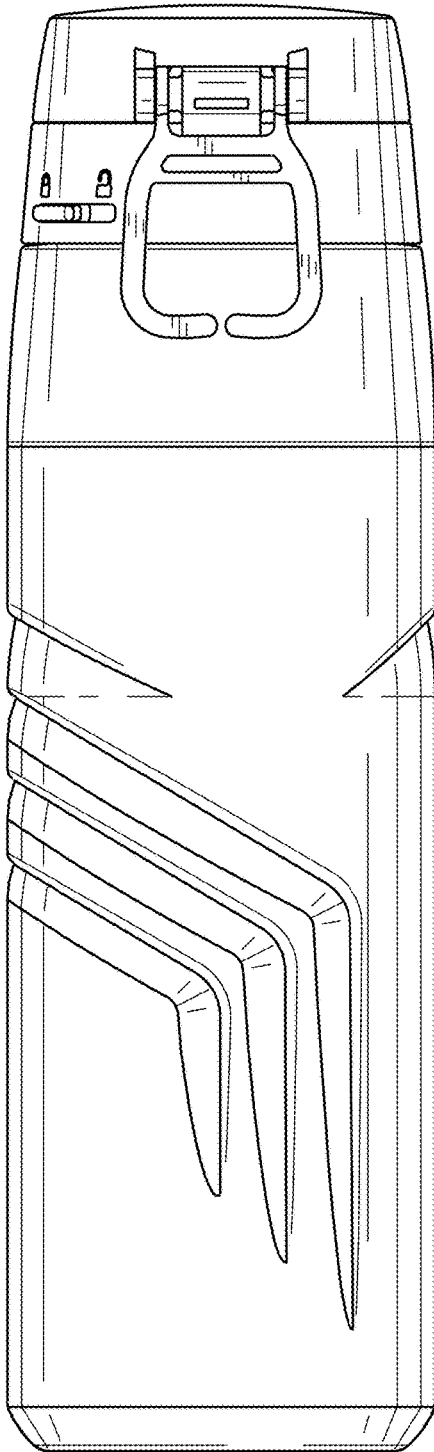


FIG. 5

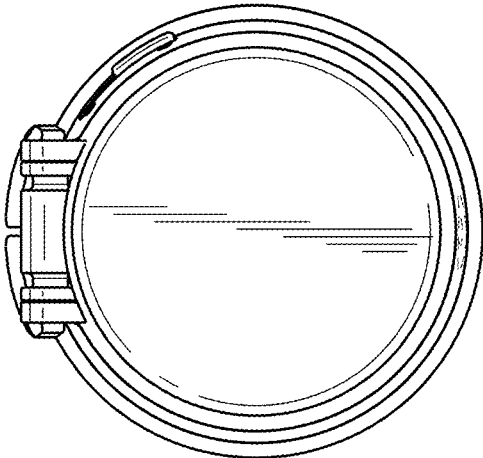


FIG. 6

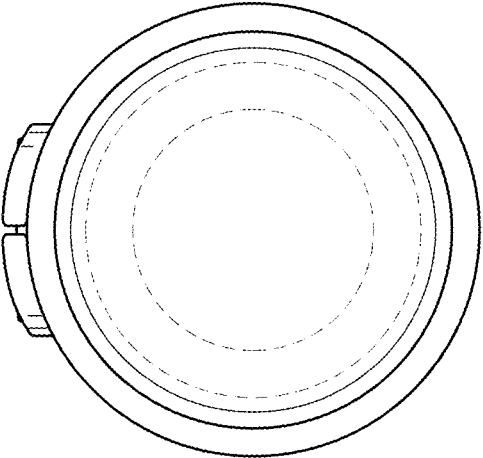


FIG. 7