



US00D368627S

**United States Patent** [19]  
**McSpadden**

[11] **Patent Number:** **Des. 368,627**  
[45] **Date of Patent:** **\*\*Apr. 9, 1996**

[54] **PORTABLE FOOD TRAY WITH CUP HOLDER**

[75] Inventor: **Douglas S. McSpadden**, Belmont, N.C.

[73] Assignee: **Plateware International**, Belmont, N.C.

[\*\*] Term: **14 Years**

[21] Appl. No.: **24,163**

[22] Filed: **Jun. 9, 1994**

[52] U.S. Cl. .... **D7/553; D7/549; D7/555**

[58] **Field of Search** ..... **D7/550, 501, 505, D7/590, 558, 507, 543, 544, 545, 546, 549, 551, 552, 553, 554, 555, 698, 564, 359, 360, 354, 643, 502, 556; 206/562, 561; 220/574, 556**

[56] **References Cited**

**U.S. PATENT DOCUMENTS**

- D. 55,495 6/1920 White .
- D. 130,502 11/1941 King .
- D. 152,659 2/1949 Sloan .
- D. 157,700 3/1950 Price .
- D. 159,454 7/1950 Waltman .
- D. 166,735 5/1952 Chaplin .
- D. 168,327 12/1952 Alper .
- D. 169,133 3/1953 Foster .
- D. 185,872 8/1959 Forsman .
- D. 185,911 8/1959 Chadbourne .
- D. 192,374 3/1962 Wittke .
- D. 278,197 4/1985 Harper .
- D. 278,198 4/1985 Harper .

- D. 284,157 6/1986 Morr .
- D. 288,513 3/1987 Shelly .
- D. 290,919 7/1987 Beute .
- D. 311,662 10/1990 Lorenzana et al. .
- 1,595,356 8/1926 Moseman .
- 3,498,470 3/1970 Thomas ..... D7/553 X
- 3,955,672 5/1976 Brundage .
- 4,206,842 6/1980 Burrige, Jr. .
- 4,744,597 1/1988 Bauman et al. .... D7/549 X
- 4,966,297 10/1990 Doty ..... D7/546 X
- 4,991,713 2/1991 Phillips .
- 5,184,750 2/1993 Moller ..... 220/556 X
- 5,234,125 8/1993 Roberts ..... 206/562 X
- 5,346,070 9/1994 McSpadden ..... 206/561

**FOREIGN PATENT DOCUMENTS**

- 2243360 10/1991 United Kingdom .
- 9220586 11/1992 WIPO .

*Primary Examiner*—Alan P. Douglas  
*Assistant Examiner*—M. N. Pandozzi  
*Attorney, Agent, or Firm*—Bell, Seltzer, Park & Gibson

[57] **CLAIM**

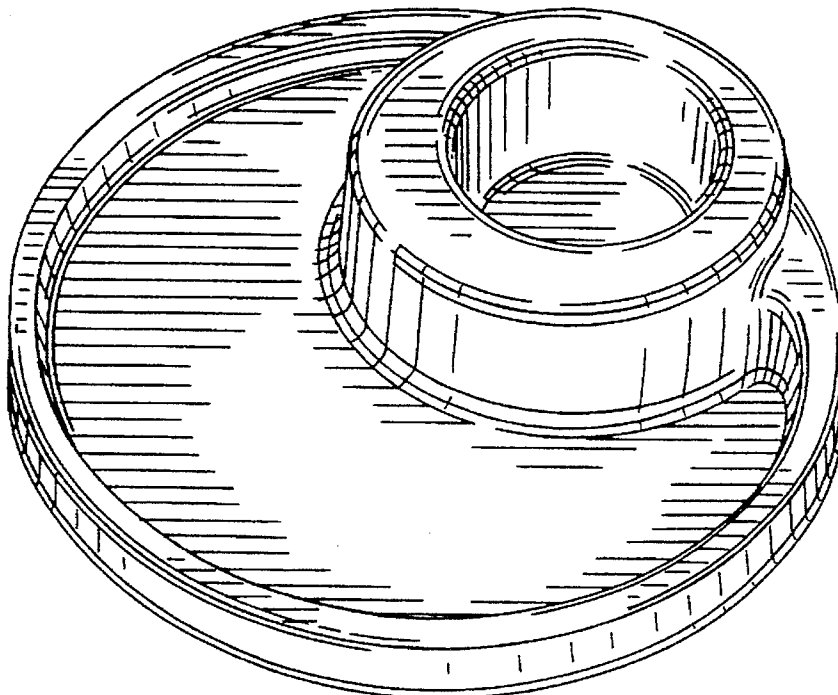
The ornamental design for a portable food tray with cup holder, as shown and described.

**DESCRIPTION**

FIG. 1 is a perspective view embodying the new design; FIG. 2 is a top plan view thereof; and, FIG. 3 is a sectional view thereof taken along line 3—3 of FIG. 2.

The broken line showing of a cup in FIG. 3 is for illustrative purposes only and forms no part of the claimed design.

**1 Claim, 1 Drawing Sheet**



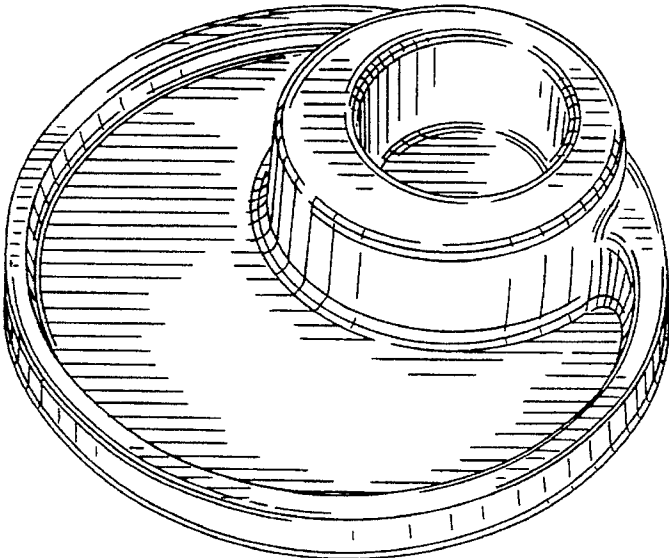


FIG. 1.

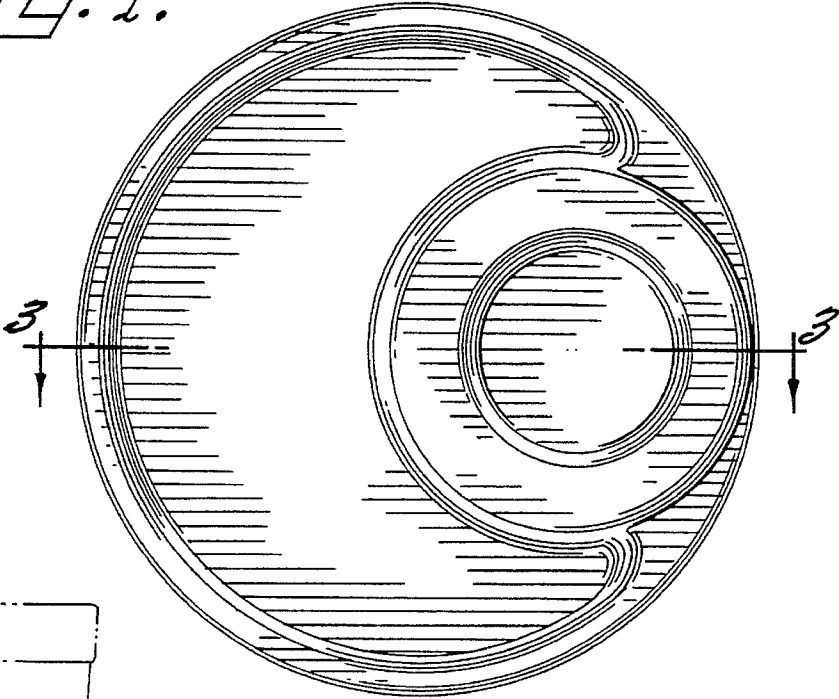


FIG. 2.

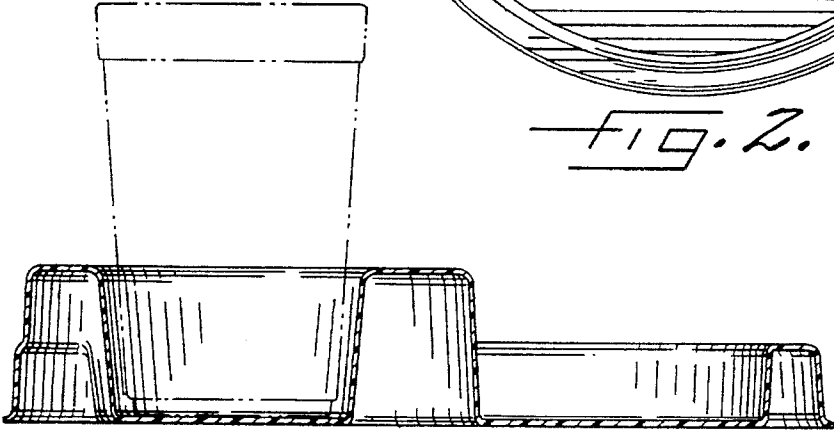


FIG. 3.