



US00D353844S

United States Patent [19] Chiang

[11] Patent Number: **Des. 353,844**

[45] Date of Patent: **** Dec. 27, 1994**

- [54] **TOY**
- [75] Inventor: **Chuan T. Chiang**, Kowloon, Hong Kong
- [73] Assignee: **Zei Hong Manufacturing Co. Ltd.**, Kowloon, Hong Kong
- [**] Term: **14 Years**
- [21] Appl. No.: **9,189**
- [22] Filed: **Jun. 7, 1993**
- [52] U.S. Cl. **D21/148; D21/148**
- [58] Field of Search **D21/59, 64, 148, 150, D21/185; 446/411-413, 450-453**

- D. 303,685 9/1989 Vafiadis D21/59
- D. 344,105 2/1994 Offutt D21/59
- 5,154,658 10/1992 Marcus 446/411

Primary Examiner—Melvin B. Feifer
Assistant Examiner—Dominic Simone
Attorney, Agent, or Firm—Ostrager, Chong & Flaherty

[57] CLAIM

The ornamental design for a toy, as shown and described.

DESCRIPTION

FIG. 1 is a front elevational view of a toy showing my new design;
 FIG. 2 is a rear elevational view thereof;
 FIG. 3 is a left side elevational view thereof;
 FIG. 4 is a right side elevational view thereof;
 FIG. 5 is a top plan view thereof;
 FIG. 6 is a bottom plan view thereof; and,
 FIG. 7 is a perspective view thereof.

[56] **References Cited**
U.S. PATENT DOCUMENTS

- D. 278,736 5/1985 Klawitter D21/185
- D. 302,186 7/1989 Klawitter D21/59

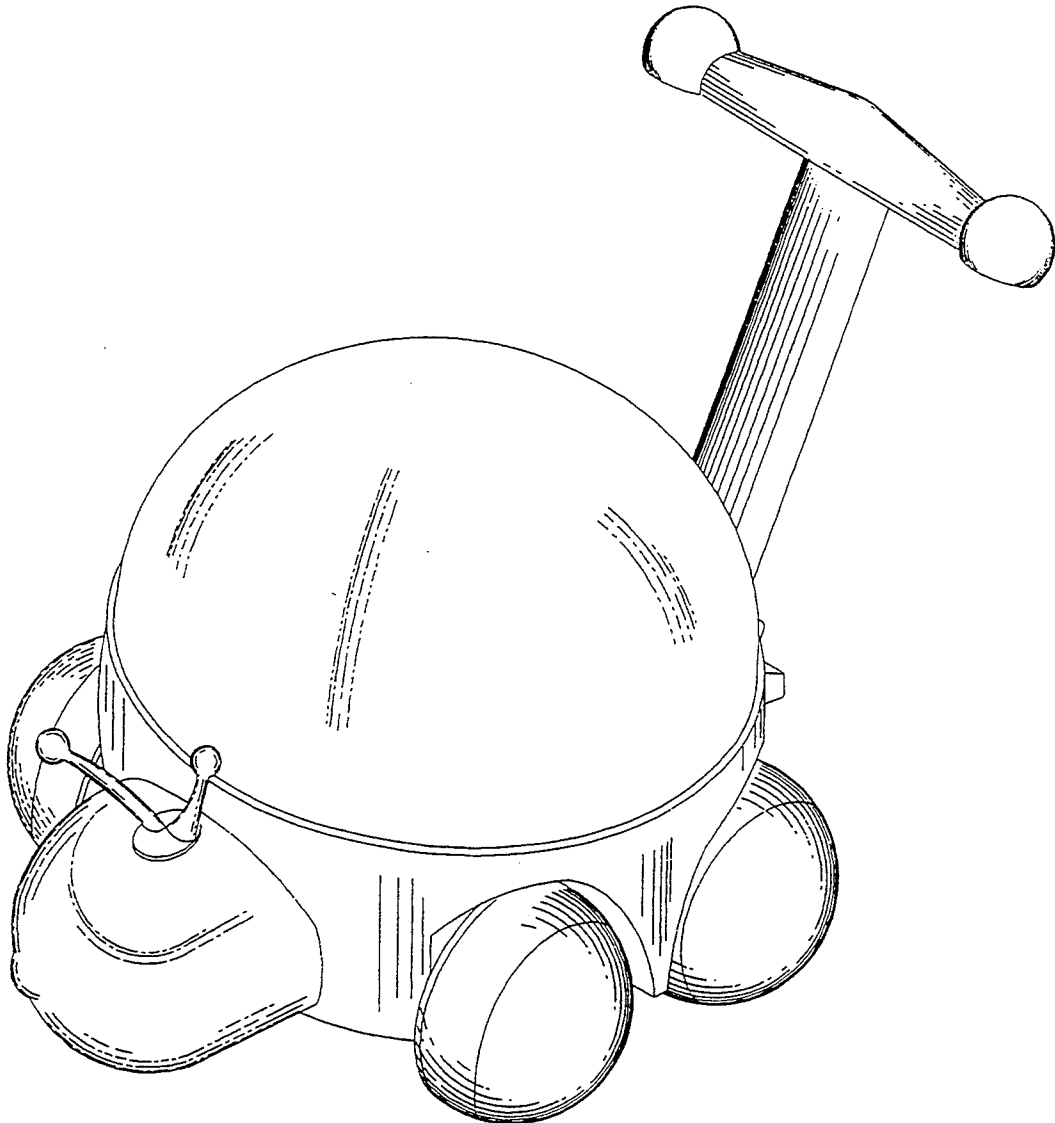


FIG. 1

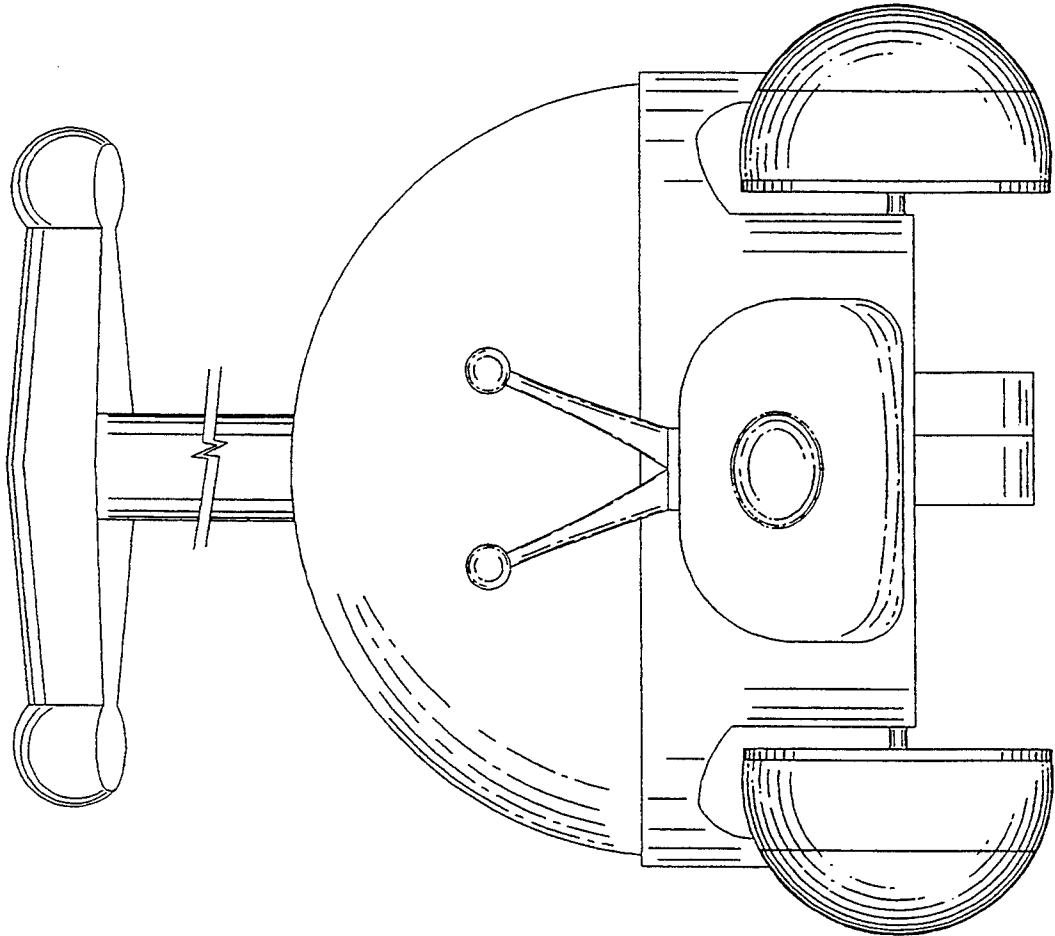


FIG. 2

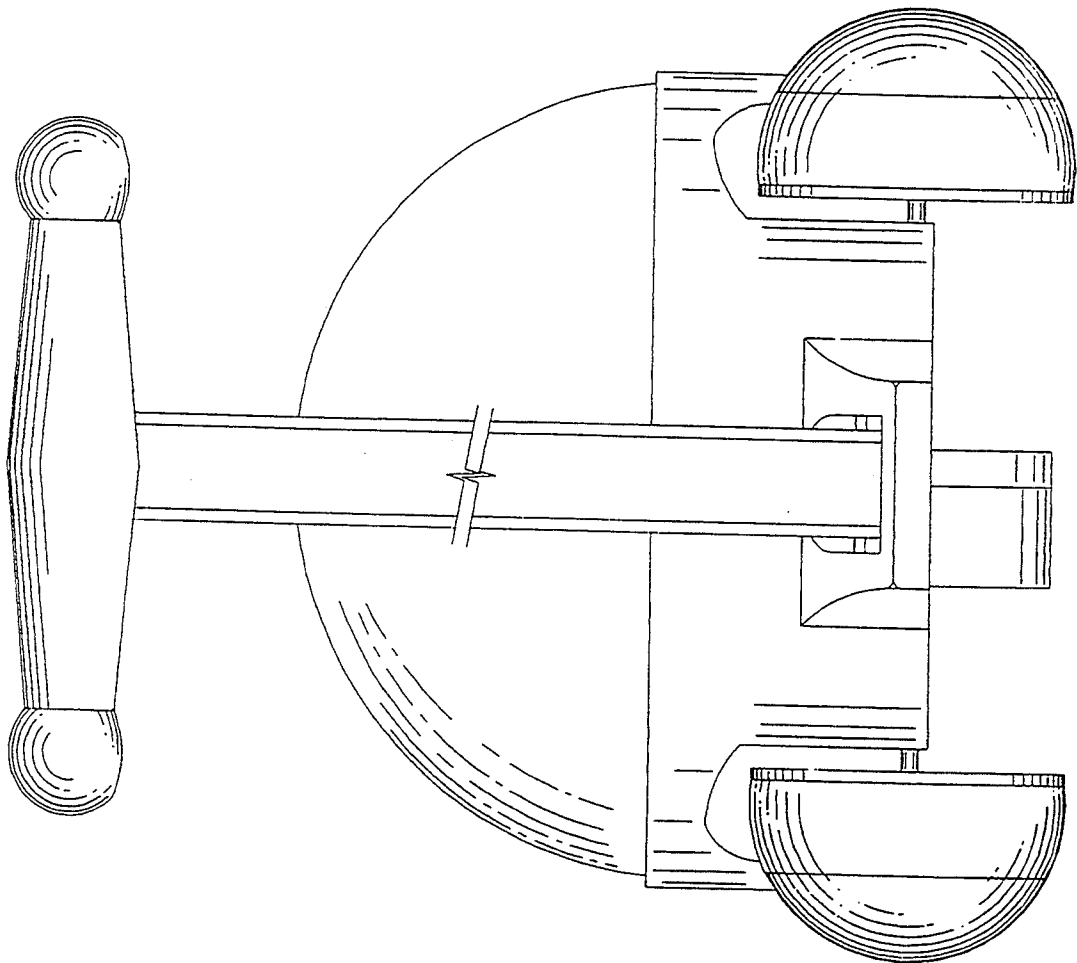


FIG. 3

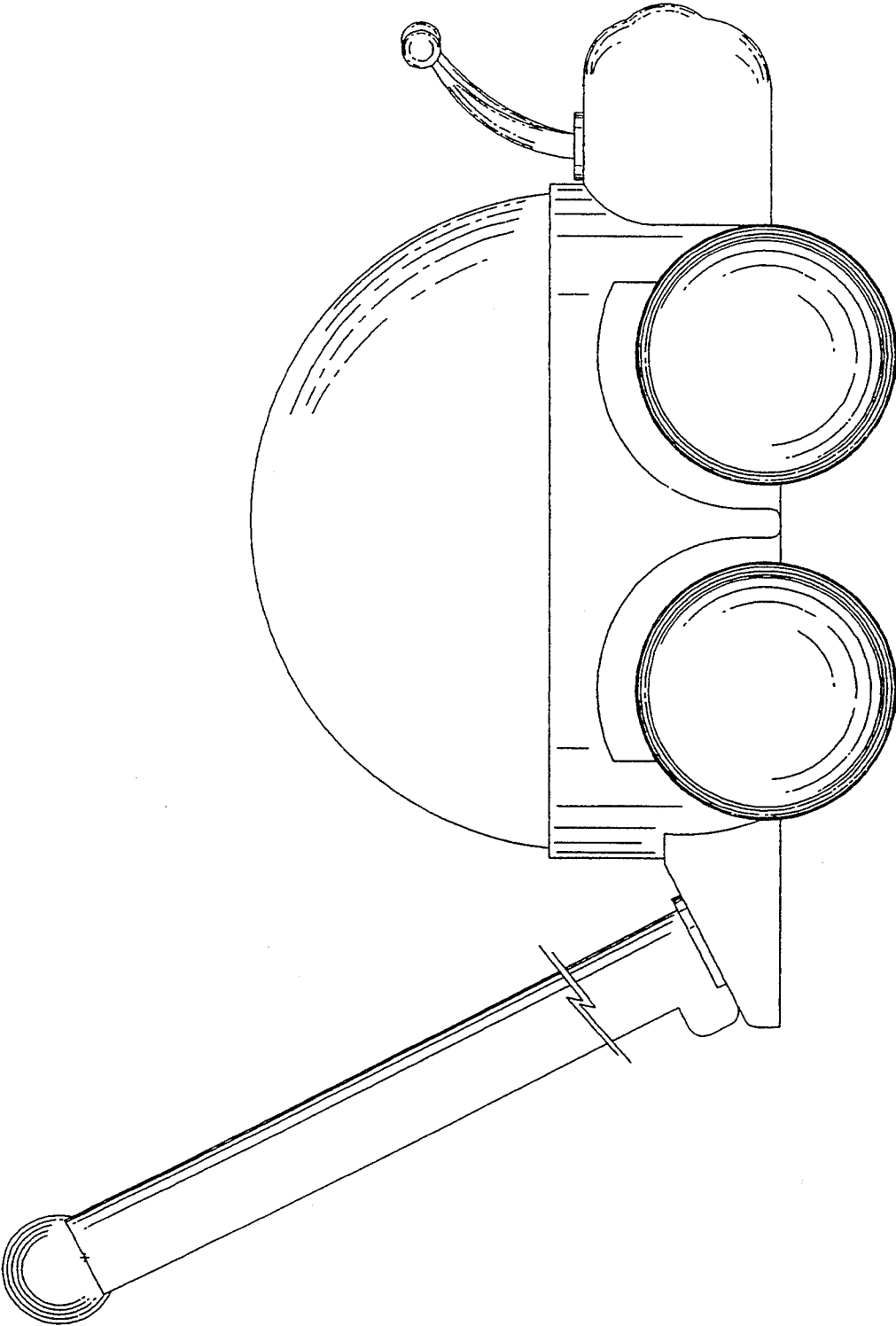
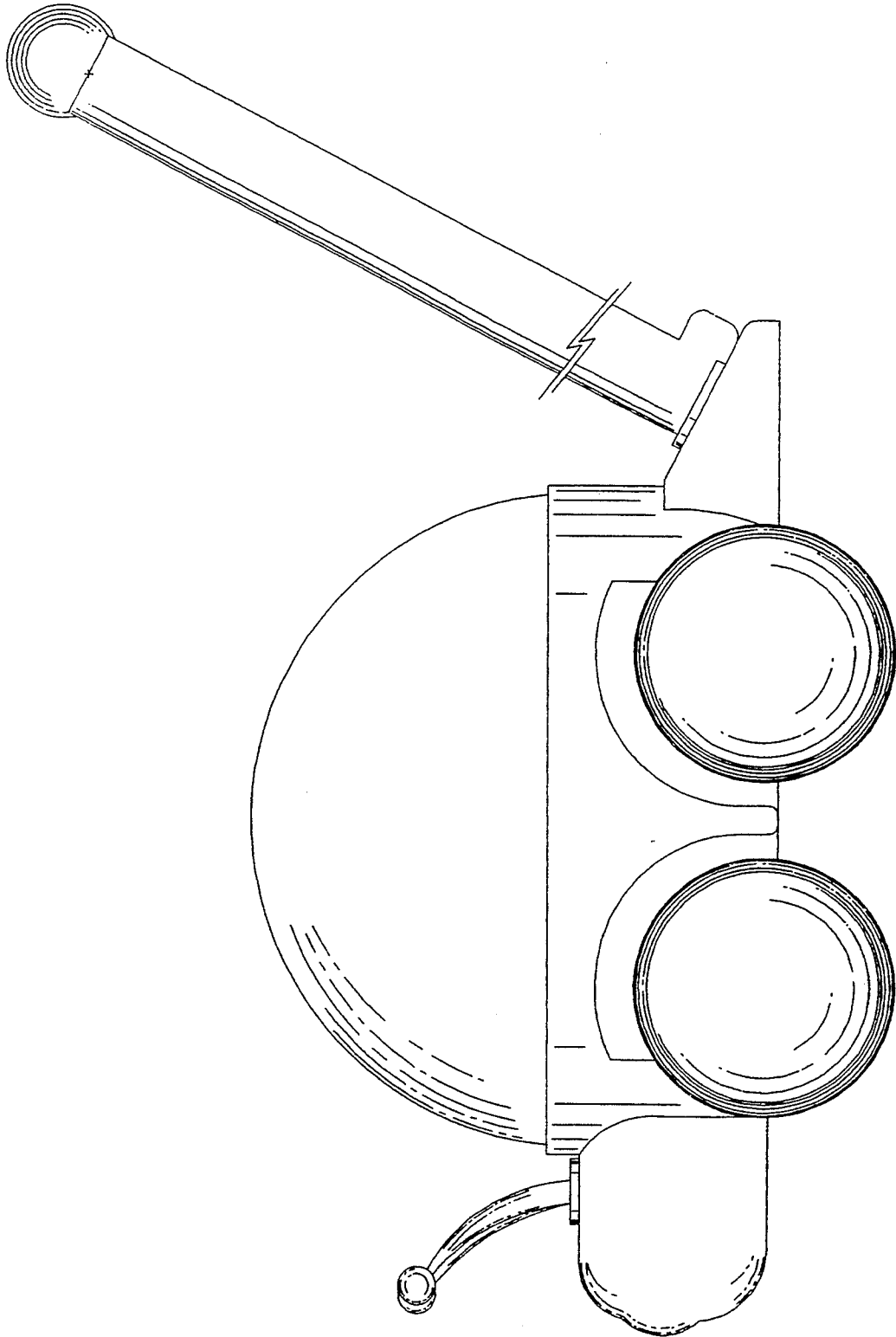


FIG. 4



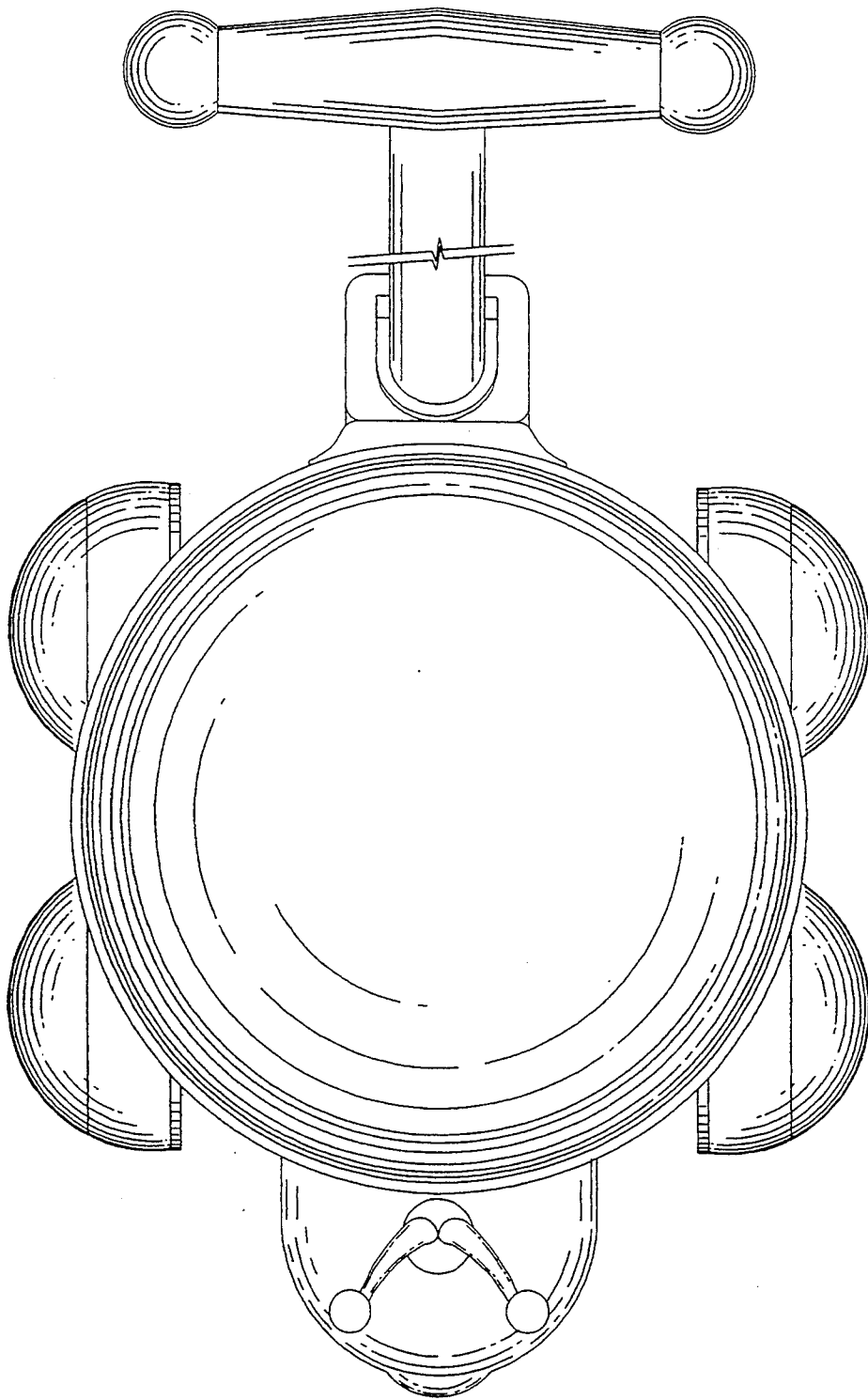


FIG. 5

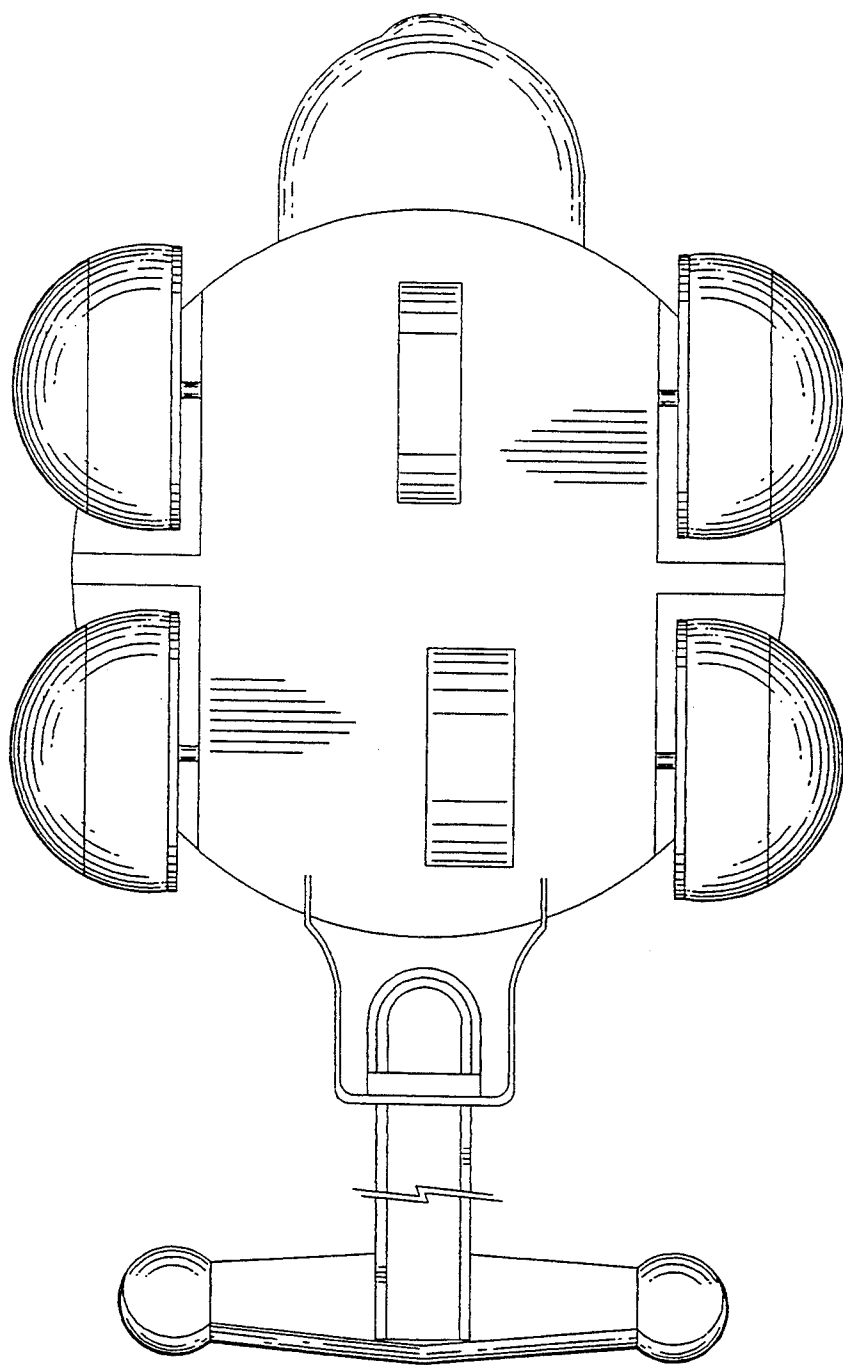


FIG. 6

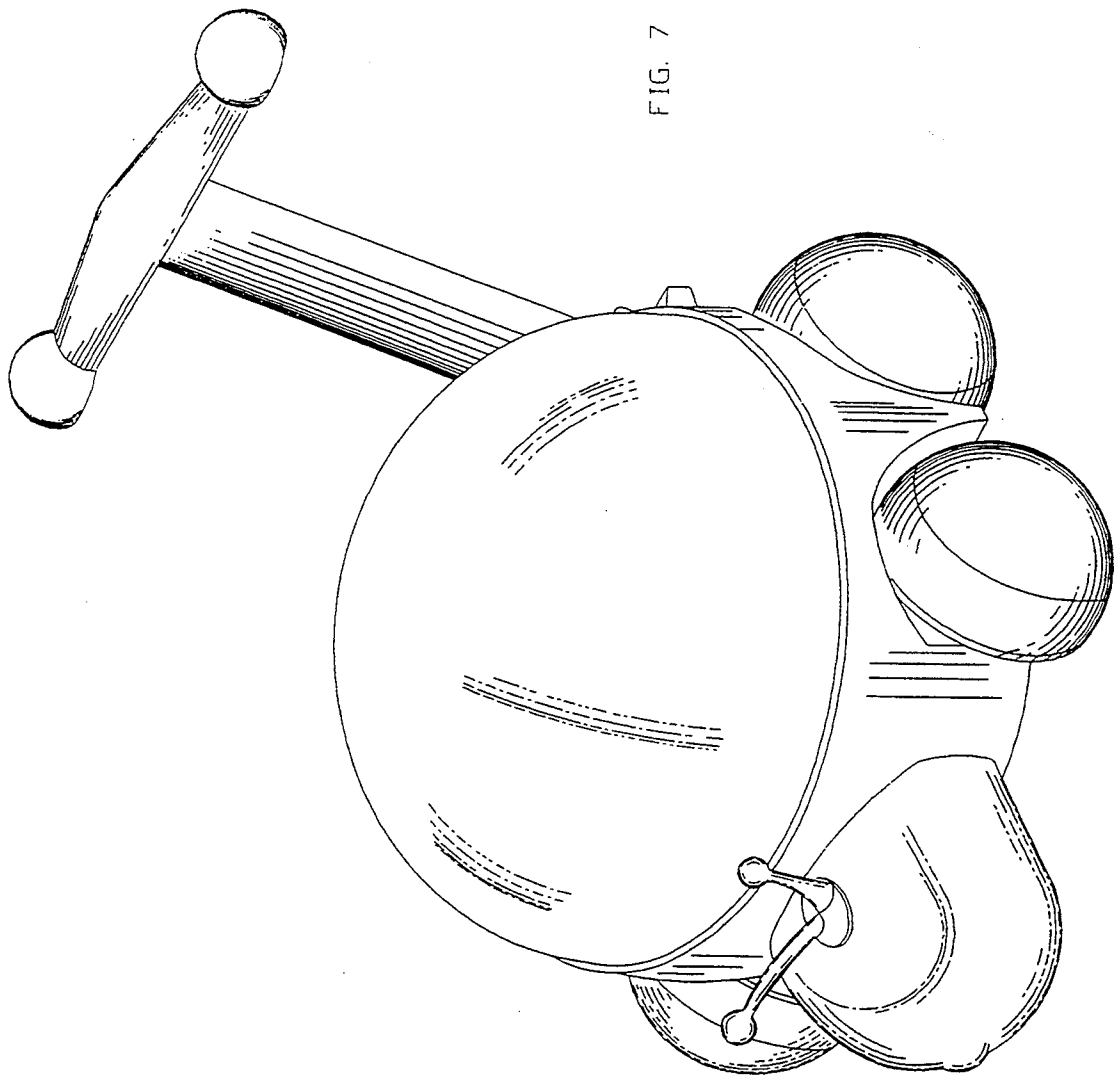


FIG. 7