

(19) World Intellectual Property
Organization
International Bureau



(43) International Publication Date
8 July 2004 (08.07.2004)

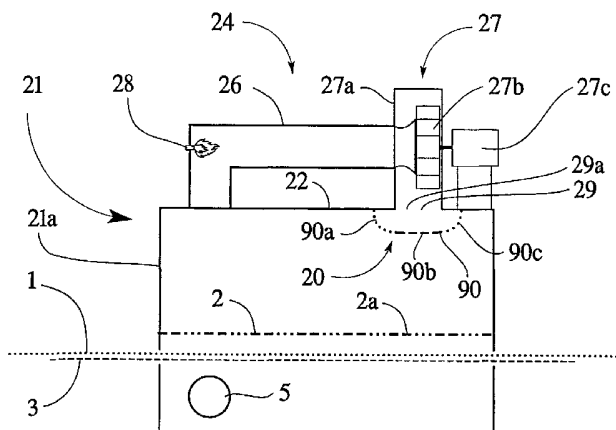
PCT

(10) International Publication Number
WO 2004/057254 A3

- (51) International Patent Classification⁷: F26B 13/02, C03C 25/64
- (21) International Application Number: PCT/EP2003/014316
- (22) International Filing Date: 16 December 2003 (16.12.2003)
- (25) Filing Language: English
- (26) Publication Language: English
- (30) Priority Data: 0203803-2 20 December 2002 (20.12.2002) SE
- (71) Applicant (for all designated States except US): ANDRITZ FIBER DRYING AKTIEBOLAG [SE/SE]; Kvarnvägen, SE-351 87 Växjö (SE).
- (72) Inventors; and
- (75) Inventors/Applicants (for US only): RYDELL, Ingemar [SE/SE]; Startvägen 28, SE-352 51 Växjö (SE). RINGQVIST, Åke [SE/SE]; Sunnerö, SE-355 96 Kalvsvik (SE). SALO, Heikki [SE/SE]; Birkagatan 10, S-352 40 Växjö (SE).
- (74) Agent: SCHWEINZER, Friedrich; Andritz AG, Stattegger Strasse 18, A-8045 Graz (AT).
- (81) Designated States (national): AE, AG, AL, AM, AT, AU, AZ, BA, BB, BG, BR, BY, BZ, CA, CH, CN, CO, CR, CU, CZ, DE, DK, DM, DZ, EC, EE, ES, FI, GB, GD, GE, GH, GM, HR, HU, ID, IL, IN, IS, JP, KE, KG, KP, KR, KZ, LC, LK, LR, LS, LT, LU, LV, MA, MD, MG, MK, MN, MW, MX, MZ, NI, NO, NZ, OM, PG, PH, PL, PT, RO, RU, SC, SD, SE, SG, SK, SL, SY, TJ, TM, TN, TR, TT, TZ, UA, UG, US, UZ, VC, VN, YU, ZA, ZM, ZW.
- (84) Designated States (regional): ARIPO patent (BW, GH, GM, KE, LS, MW, MZ, SD, SL, SZ, TZ, UG, ZM, ZW), Eurasian patent (AM, AZ, BY, KG, KZ, MD, RU, TJ, TM), European patent (AT, BE, BG, CH, CY, CZ, DE, DK, EE, ES, FI, FR, GB, GR, HU, IE, IT, LU, MC, NL, PT, RO, SE, SI, SK, TR), OAPI patent (BF, BJ, CF, CG, CI, CM, GA, GN, GQ, GW, ML, MR, NE, SN, TD, TG).
- Published:
— with international search report
— before the expiration of the time limit for amending the claims and to be republished in the event of receipt of amendments
- (88) Date of publication of the international search report: 5 August 2004

[Continued on next page]

(54) Title: A METHOD AND A DEVICE FOR DRYING OR HEAT TREATMENT OF A WEB-FORMED MATERIAL



(57) Abstract: When drying a web-formed material (1), preferably glass fibre, the web-formed material is passed, in contact with a gas-permeable dryer screen (3), through a drying plant (21). One or more fans (27) blow hot process air against, and through, the web-formed material (1) in order to dry it. A chamber (27a), surrounding the fan or the fans (27), has a limiting surface that is essentially parallel to the surface of the web-formed material. This limiting surface has an opening (29a) that extends essentially across the whole width of the web-formed material (1). A distributing member (20), in the form of an arcuate perforated, sheet-formed element (20), placed outside the chamber (27a), covers the opening (29a) completely. With the distributing member (20) a first flow of process air is divided into a large number of jets, distributed over essentially the whole of the angular area that faces the web-formed material (1). Thereafter, the jets are allowed to mix with one another again to form a second flow of process air, which is passed through a flat perforated, sheet-formed element (2a) that is positioned close to and extends over essentially the whole of the web-formed material (1), and then against and through the web-formed material (1) lying on the gas-permeable dryer screen (3).

WO 2004/057254 A3



For two-letter codes and other abbreviations, refer to the "Guidance Notes on Codes and Abbreviations" appearing at the beginning of each regular issue of the PCT Gazette.

INTERNATIONAL SEARCH REPORT

International Application No
PCT/EP 03/14316A. CLASSIFICATION OF SUBJECT MATTER
IPC 7 F26B13/02 C03C25/64

According to International Patent Classification (IPC) or to both national classification and IPC

B. FIELDS SEARCHED

Minimum documentation searched (classification system followed by classification symbols)

IPC 7 C03C F26B D21F C03B F27D

Documentation searched other than minimum documentation to the extent that such documents are included in the fields searched

Electronic data base consulted during the international search (name of data base and, where practical, search terms used)

EPO-Internal, WPI Data

C. DOCUMENTS CONSIDERED TO BE RELEVANT

Category ^o	Citation of document, with indication, where appropriate, of the relevant passages	Relevant to claim No.
A	WO 82 03450 A (EASTMAN KODAK CO) 14 October 1982 (1982-10-14) page 24, line 6 -page 25, line 12; figures 2,3 ---	1-20
A	US 3 849 904 A (VILLALOBOS J) 26 November 1974 (1974-11-26) column 3, line 16 - line 44; figures 1,3 ---	1-20
A	US 4 253 247 A (BERGSTROM WILLIAM E) 3 March 1981 (1981-03-03) column 2, line 40 - line 46; figure 3 ---	1-20
A	EP 0 354 116 A (MEASUREX CORP) 7 February 1990 (1990-02-07) column 2, line 19 - line 22 column 3, line 32 - line 40 column 1, line 23 - line 26; figure 3 -----	1-20

 Further documents are listed in the continuation of box C. Patent family members are listed in annex.^o Special categories of cited documents :

"A" document defining the general state of the art which is not considered to be of particular relevance

"E" earlier document but published on or after the international filing date

"L" document which may throw doubts on priority claim(s) or which is cited to establish the publication date of another citation or other special reason (as specified)

"O" document referring to an oral disclosure, use, exhibition or other means

"P" document published prior to the international filing date but later than the priority date claimed

"T" later document published after the international filing date or priority date and not in conflict with the application but cited to understand the principle or theory underlying the invention

"X" document of particular relevance; the claimed invention cannot be considered novel or cannot be considered to involve an inventive step when the document is taken alone

"Y" document of particular relevance; the claimed invention cannot be considered to involve an inventive step when the document is combined with one or more other such documents, such combination being obvious to a person skilled in the art.

"&" document member of the same patent family

Date of the actual completion of the international search

25 May 2004

Date of mailing of the international search report

22.06.2004

Name and mailing address of the ISA

European Patent Office, P.B. 5818 Patentlaan 2
NL - 2280 HV Rijswijk
Tel. (+31-70) 340-2040, Tx. 31 651 epo nl,
Fax: (+31-70) 340-3016

Authorized officer

SUSANNA LINDFORS /EÖ

INTERNATIONAL SEARCH REPORT

Information on patent family members

International Application No

PCT/EP 03/14316

Patent document cited in search report		Publication date	Patent family member(s)	Publication date
WO 8203450	A	14-10-1982	US 4365423 A	28-12-1982
			DE 3279757 D1	13-07-1989
			EP 0074405 A1	23-03-1983
			JP 2058554 B	10-12-1990
			JP 58500454 T	24-03-1983
			WO 8203450 A1	14-10-1982

US 3849904	A	26-11-1974	CA 1019947 A1	01-11-1977
			CA 1017939 A2	27-09-1977
			GB 1452383 A	13-10-1976
			GB 1452384 A	13-10-1976
			GB 1452382 A	13-10-1976
			IT 1010889 B	20-01-1977
			JP 1031031 C	29-01-1981
			JP 49129955 A	12-12-1974
			JP 55021272 B	09-06-1980
			SE 403918 B	11-09-1978
			SE 442527 B	13-01-1986
			SE 7709920 A	02-09-1977
			SE 442528 B	13-01-1986
			SE 7709921 A	02-09-1977

US 4253247	A	03-03-1981	NONE	

EP 0354116	A	07-02-1990	US 4977687 A	18-12-1990
			EP 0354116 A2	07-02-1990
			FI 893673 A	04-02-1990
			JP 2216292 A	29-08-1990
