



US00D998389S

(12) **United States Design Patent**
Hornbacher

(10) **Patent No.:** **US D998,389 S**

(45) **Date of Patent:** **** Sep. 12, 2023**

(54) **FREESTANDING LADDER STORAGE RACK**

(71) Applicant: **Michael D. Hornbacher**, Elkhorn, NE (US)

(72) Inventor: **Michael D. Hornbacher**, Elkhorn, NE (US)

(**) Term: **15 Years**

(21) Appl. No.: **29/775,614**

(22) Filed: **Mar. 24, 2021**

Related U.S. Application Data

(63) Continuation-in-part of application No. 29/752,077, filed on Sep. 24, 2020, now Pat. No. Des. 923,367.

(51) **LOC (14) Cl.** **06-04**

(52) **U.S. Cl.**
USPC **D6/672**

(58) **Field of Classification Search**
USPC D6/672, 675, 675.1, 675.3, 681, 681.1, 681.2, 682, 682.6, 683, 552
CPC .. B25H 5/00; B25H 3/04; A47B 43/00; A47B 57/045; A47B 81/00; A47B 81/005; A47B 96/061; A47F 7/0021; B63B 32/83
See application file for complete search history.

(56) **References Cited**

U.S. PATENT DOCUMENTS

D116,797 S * 9/1939 Erickson et al. D6/675.1
D139,415 S * 11/1944 Brown et al. 211/35
(Continued)

FOREIGN PATENT DOCUMENTS

CN 108354357 8/2018
CN 208821991 5/2019
(Continued)

OTHER PUBLICATIONS

Uline, <https://www.uline.com/Product/Detail/H-3846/Bar-and-Pipe-Storage-Racks/Cantilever-Rack-Single-Sided-80-x-40-x-96?>

pricode=WA9625&gadtype=pla&id=H-3846&gclsrc=aw.ds&&gclid=CjwKCAiAyeTxBRBvEiwAuM8dnfEUmUwkyd4IYgT6nKexvpObrdgwJY3H--M2ggfPS5JEn6nU5wZthRoCWUoQAvD_BwE.

(Continued)

Primary Examiner — Steven J Cxyz

(74) *Attorney, Agent, or Firm* — McGrath North Mullin & Kratz, PC LLO; Luke C. Holst

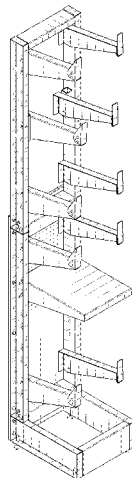
(57) **CLAIM**

The ornamental design for a freestanding ladder storage rack, as shown and described.

DESCRIPTION

FIG. 1 is a front perspective view of a first embodiment of a freestanding ladder storage rack showing my new design having a shelf in an upright position;
FIG. 2 is a front view of FIG. 1;
FIG. 3 is a rear view of FIG. 1;
FIG. 4 is a left side view of FIG. 1;
FIG. 5 is a right side view of FIG. 1;
FIG. 6 is a top view of FIG. 1;
FIG. 7 is a bottom view of FIG. 1;
FIG. 8 is a front perspective view of a series of freestanding ladder storage racks of FIG. 1 holding ladders, boxes and PVC piping.
FIG. 9 is a front perspective view of a second embodiment of a freestanding ladder storage rack showing my new design having a shelf in a downward position;
FIG. 10 is a front view of FIG. 9;
FIG. 11 is a rear view of FIG. 9;
FIG. 12 is a left side view of FIG. 9;
FIG. 13 is a right side view of FIG. 9;
FIG. 14 is a top view of FIG. 9;
FIG. 15 is a bottom view of FIG. 9; and,
FIG. 16 is a front perspective view of a series of freestanding ladder storage racks of FIG. 9 holding ladders, boxes and PVC piping.
The broken lines depict portions of the article and environment that form no part of the claimed design.

1 Claim, 10 Drawing Sheets



US D998,389 S

(56)

References Cited

U.S. PATENT DOCUMENTS

2,626,061 A 1/1953 Girouard
 3,172,539 A * 3/1965 Rulf A47F 5/0876
 211/189
 3,212,648 A * 10/1965 Baker, Jr. A47B 57/50
 108/108
 3,371,798 A * 3/1968 D Altrui A47B 57/485
 248/240.4
 3,484,810 A * 12/1969 Boss A47B 45/00
 108/152
 3,512,654 A * 5/1970 Jay A47B 96/145
 411/356
 3,602,374 A 8/1971 Alabaster
 D222,366 S 10/1971 Berger et al.
 3,913,498 A * 10/1975 Hall A47B 57/485
 211/205
 D243,906 S * 4/1977 Ware D6/675.1
 4,023,684 A * 5/1977 Saul A47F 5/10
 211/193
 D247,034 S * 1/1978 Brodmann D34/17
 D252,779 S * 9/1979 Mogelhoj D6/682.6
 D253,450 S * 11/1979 Butcher D6/682.6
 D255,405 S 6/1980 De Villers
 4,286,719 A * 9/1981 Hall A47B 57/52
 211/193
 D269,754 S * 7/1983 Kates D6/675.1
 4,396,125 A * 8/1983 Rowader A47B 57/52
 211/193
 D272,400 S * 1/1984 Persch D6/675.4
 4,426,011 A * 1/1984 Jay A47B 96/061
 211/193
 4,519,512 A * 5/1985 Frazier F16B 7/048
 248/245
 4,552,270 A * 11/1985 Lentz B62H 3/12
 211/208
 D282,611 S * 2/1986 Seely D6/682.4
 D288,509 S * 3/1987 van de Oudeweetering . D6/708
 D291,164 S * 8/1987 Luyk D6/681.2
 4,895,381 A * 1/1990 Farlow B62B 3/02
 211/208
 D313,715 S * 1/1991 Ohno D6/552
 5,076,651 A * 12/1991 White A47B 81/00
 312/328
 5,285,906 A * 2/1994 Wisnowski A47B 81/00
 211/70.5
 D347,129 S * 5/1994 Zinke D6/682.2
 5,310,066 A * 5/1994 Konstant A47B 47/022
 211/187
 D356,907 S * 4/1995 Jernigan D6/682.6
 D369,040 S * 4/1996 Lechleiter D6/672
 D370,370 S * 6/1996 Brown D6/681.2
 D377,428 S * 1/1997 Rossdeutscher D34/21
 D383,335 S * 9/1997 Shanahan D6/675.4
 D389,657 S * 1/1998 Sigal D6/675.4
 D390,724 S * 2/1998 Parker D6/682.6
 D392,820 S * 3/1998 Shanahan D6/672
 D395,769 S * 7/1998 Reeves D6/675.4
 5,806,691 A * 9/1998 Nelson A47B 81/005
 D6/552
 5,833,079 A * 11/1998 Roberts A47B 81/00
 D6/552
 D419,349 S * 1/2000 Klein D6/552
 6,129,224 A * 10/2000 Mingers A47B 57/482
 211/192
 6,138,841 A * 10/2000 Klein A47G 25/10
 D6/552
 6,164,465 A * 12/2000 Schroeder A63B 71/0036
 211/85.7
 6,175,498 B1 * 1/2001 Conroy G01R 31/2849
 361/752
 6,216,887 B1 * 4/2001 Soo A47G 25/0671
 211/205
 6,260,865 B1 * 7/2001 Yacobi B62B 1/262
 248/346.02

D455,916 S * 4/2002 Fluhrer D6/675.1
 6,390,309 B1 * 5/2002 Tucker B63B 32/83
 D6/552
 D480,350 S * 10/2003 Ho D12/408
 D492,862 S * 7/2004 Gay, II D6/675.1
 D495,531 S * 9/2004 Allshouse D6/672
 D499,672 S * 12/2004 Thompson D12/115
 D505,572 S * 5/2005 Chang D6/675.3
 7,213,713 B2 * 5/2007 Matsui A63C 11/028
 211/85.7
 D557,543 S * 12/2007 Hanson D6/570
 D557,544 S * 12/2007 Mashinske D6/570
 D560,402 S * 1/2008 Lev D6/675.1
 D569,656 S * 5/2008 Musick D6/681.3
 D580,193 S * 11/2008 Sparkowski D6/678.4
 D601,841 S * 10/2009 Neufeld D6/570
 D608,115 S * 1/2010 Trinh D6/675.1
 D633,313 S * 3/2011 Ma D6/678.1
 D640,485 S * 6/2011 Dugger D6/681.1
 3,016,137 A1 9/2011 Shaha
 8,016,137 B2 * 9/2011 Shaha A47F 5/103
 248/200
 8,042,229 B2 10/2011 Wang
 8,221,297 B2 * 7/2012 Faust B23Q 3/15553
 483/8
 D668,476 S * 10/2012 Carlshamre D6/683.1
 D692,261 S 10/2013 Sharp
 D692,701 S * 11/2013 Peggs D6/675.1
 D713,877 S * 9/2014 Kuehn D19/90
 D716,080 S * 10/2014 Bell D6/675.1
 D720,164 S * 12/2014 Parrish D6/675.5
 D729,554 S * 5/2015 Denby D6/681
 D730,663 S * 6/2015 Logan G09F 7/10
 D6/675
 9,044,090 B2 * 6/2015 Drake A47B 96/061
 D745,794 S * 12/2015 Knoll D6/681
 D752,372 S * 3/2016 Huff D6/678.4
 D776,956 S * 1/2017 Ma D6/552
 D781,080 S * 3/2017 Jordan D6/675.1
 D785,381 S * 5/2017 Johnson D6/681
 D786,581 S * 5/2017 Lien D6/552
 9,669,907 B2 * 6/2017 Field B63B 32/83
 D805,329 S * 12/2017 Rockwell D6/675.3
 D809,324 S * 2/2018 Robins D6/675.4
 10,004,330 B1 * 6/2018 Kasza A47B 96/028
 10,039,379 B1 * 8/2018 Phillips A47F 5/08
 D833,782 S * 11/2018 Amacher, Jr. B62H 3/12
 D6/675.4
 10,118,678 B2 11/2018 Dias
 D840,729 S 2/2019 Irek
 D842,014 S * 3/2019 Qiu D6/681.2
 10,264,878 B1 * 4/2019 Liu A47G 25/0664
 D851,429 S * 6/2019 Greenspon A47B 96/061
 D6/675.4
 D853,762 S * 7/2019 Tucker A47B 57/52
 D6/672
 D862,137 S 10/2019 Amrine et al.
 D862,946 S * 10/2019 Hyland D6/672
 D878,832 S * 3/2020 Cohen D6/677
 D882,286 S * 4/2020 Zoretic D6/552
 D885,800 S * 6/2020 Mills D6/672
 D909,104 S * 2/2021 Lai A47B 57/485
 D6/681.2
 D910,351 S * 2/2021 Davis D6/681.2
 D918,627 S * 5/2021 Perrotti, Jr. D6/672
 D923,367 S * 6/2021 Hornbacher A47B 57/485
 D6/672
 D923,370 S * 6/2021 Davis A47B 45/00
 D6/675.3
 D941,619 S * 1/2022 Davis A47B 57/50
 D6/675.3
 D945,802 S * 3/2022 Bell A47F 5/0876
 D6/675.1
 11,266,255 B1 * 3/2022 Johnson A47F 7/0078
 D970,932 S * 11/2022 Zhao D6/675.3
 2003/0178382 A1 * 9/2003 Tucker A47B 96/061
 211/85.7

(56)

References Cited

U.S. PATENT DOCUMENTS

2006/0254995 A1* 11/2006 Steffens A47F 7/0021
 211/70.8
 2011/0198305 A1* 8/2011 Geoffrey A47B 95/008
 211/49.1
 2011/0278245 A1* 11/2011 Noble Colin A47F 5/0087
 211/59.2
 2014/0041407 A1* 2/2014 Bush A47F 3/0491
 62/251
 2014/0103000 A1* 4/2014 Avissar A47G 25/0614
 211/85.3
 2016/0201844 A1* 7/2016 Potter A47F 5/01
 29/428
 2016/0249996 A1* 9/2016 Gerstner A61B 50/34
 211/130.1
 2017/0220987 A1* 8/2017 Sun G06Q 10/08
 2018/0092470 A1* 4/2018 Johnson A47F 5/08
 2018/0125264 A1 5/2018 Amrine et al.
 2018/0271281 A1* 9/2018 Bryan A47B 96/025

2020/0093288 A1* 3/2020 Sun A47F 5/16
 2022/0139272 A1* 5/2022 Santarelli A47F 5/08
 40/606.01
 2022/0379814 A1* 12/2022 Roumeliotis B60R 3/007

FOREIGN PATENT DOCUMENTS

CN	109846217	6/2019
FR	2651654	3/1991
GB	2197183	5/1988
GB	2214413	4/1991

OTHER PUBLICATIONS

Arms For Series 2000 Medium-Heavy Cantilever Racks, http://materialhandlingsolutions.theonlinecatalog.com/products/arms-for-series-2000-medium-heavy-duty-cantiliver-racks/h2sa12l/?gclid=CjwKCAiAgc-ABhA7EiwAjev-i0_iKRnIWKDiHEcw2fGZMDaZYNMT8w5PrXH30IGG8wMediJDAGSaUxoC0eYQAvD_BwE (Year: 2020).

* cited by examiner

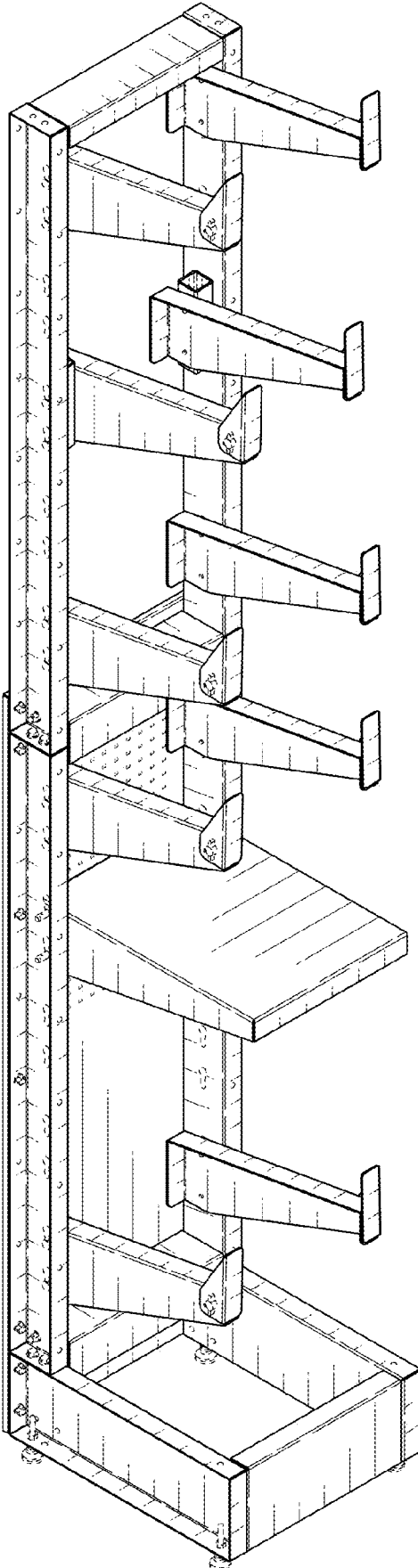


FIG. 1

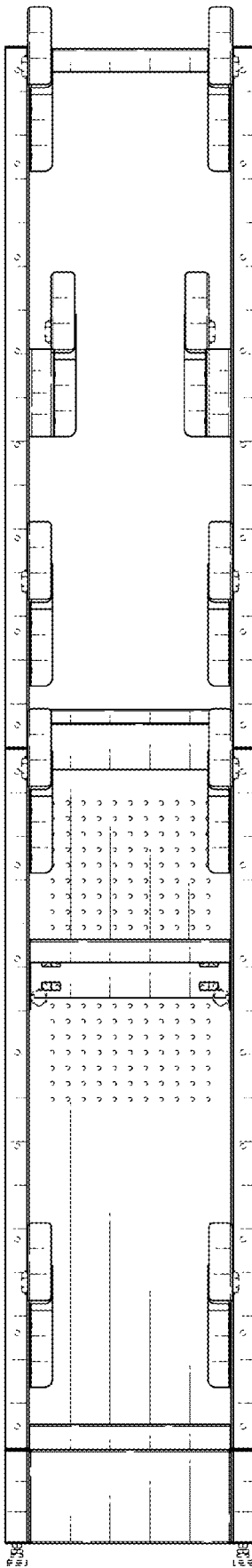


FIG. 2

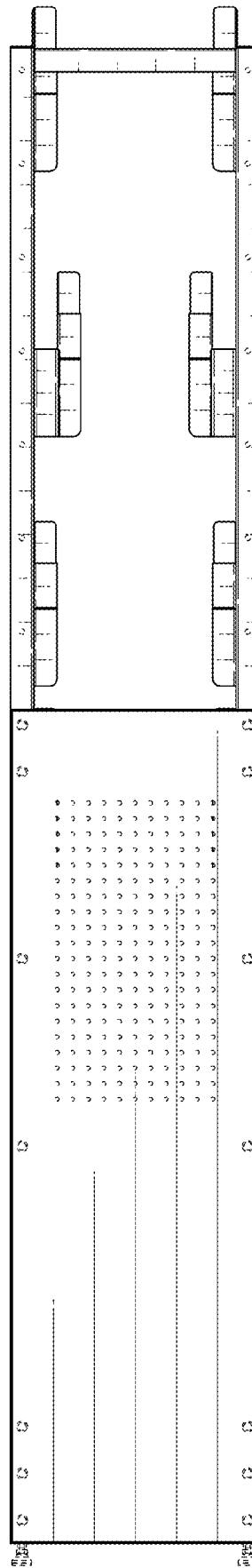


FIG. 3

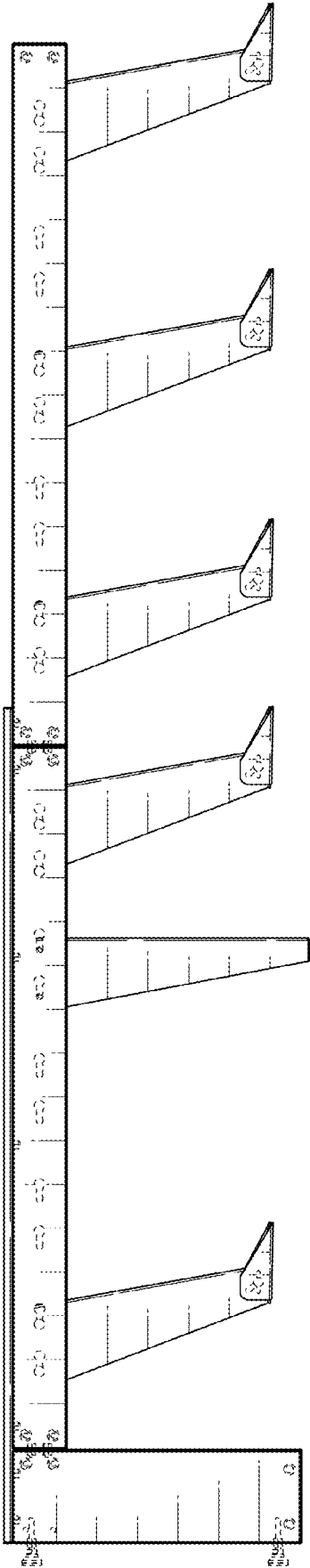


FIG. 4

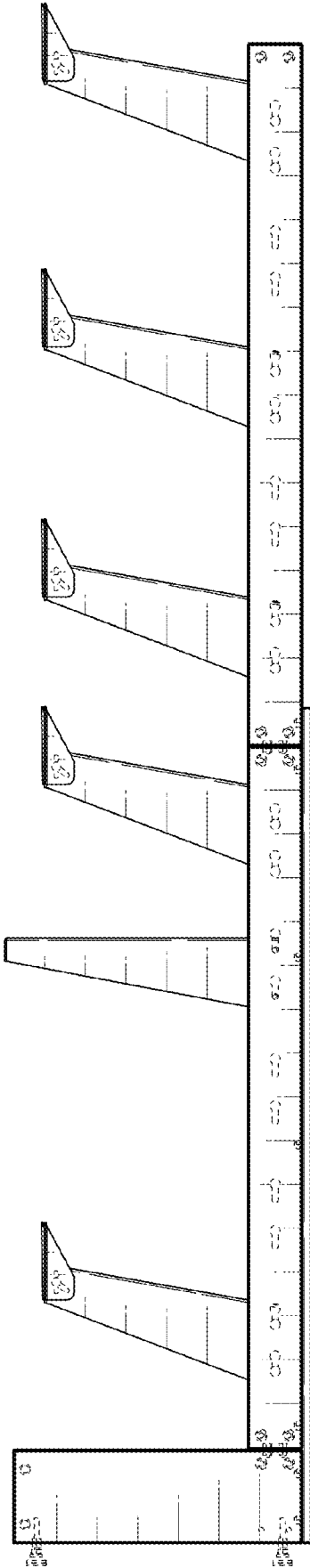


FIG. 5

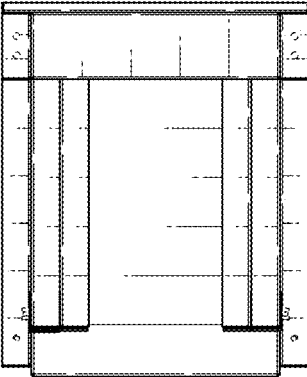


FIG. 6

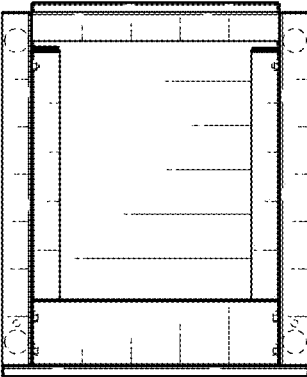


FIG. 7

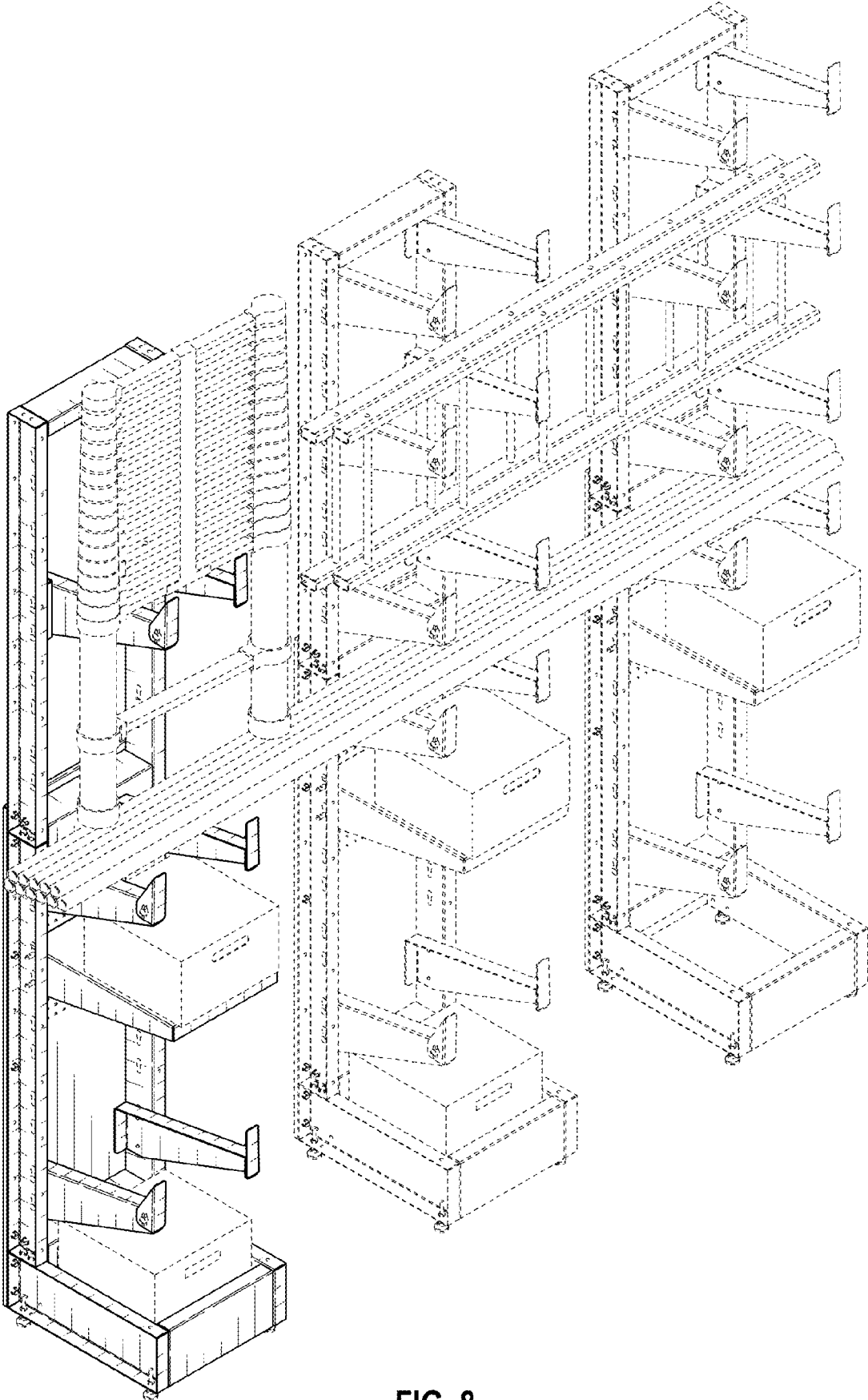


FIG. 8

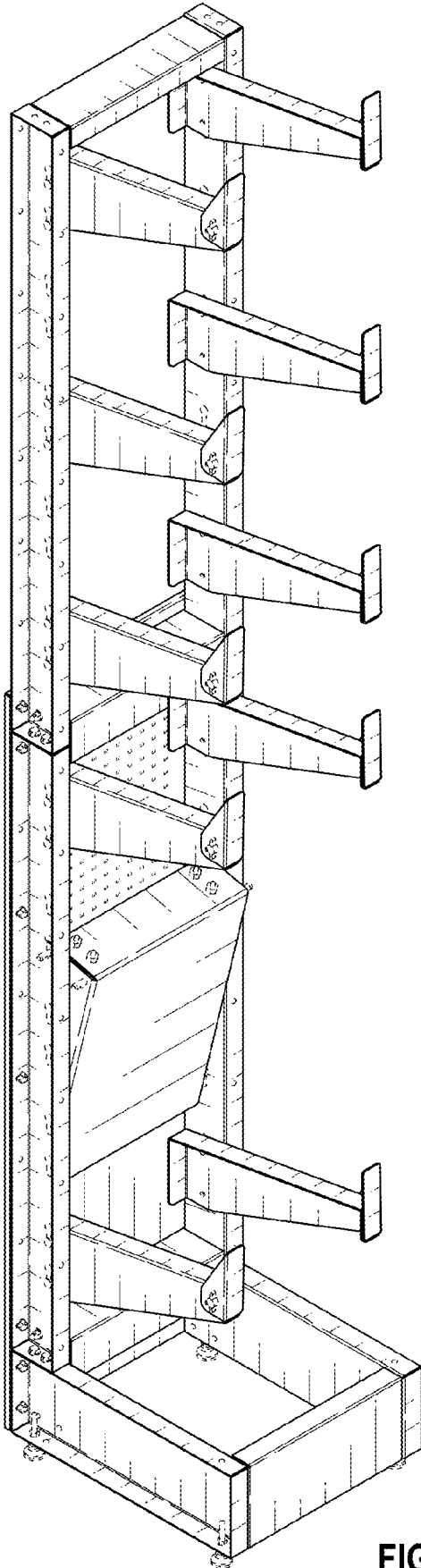


FIG. 9

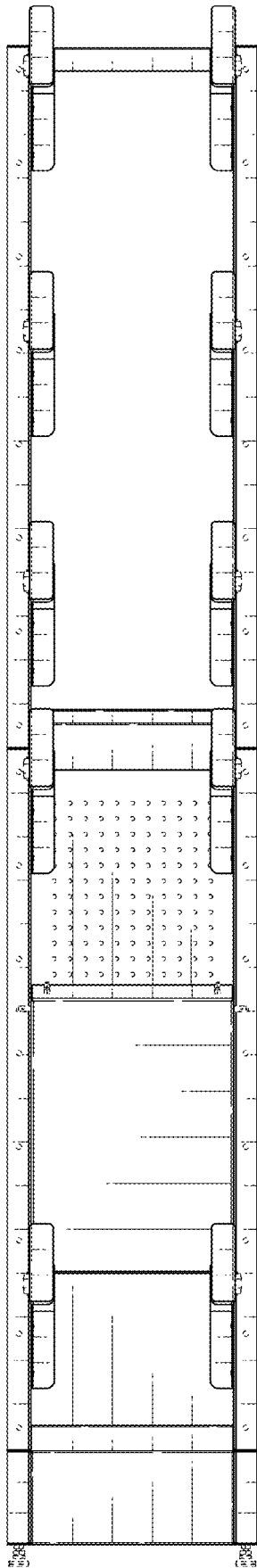


FIG. 10

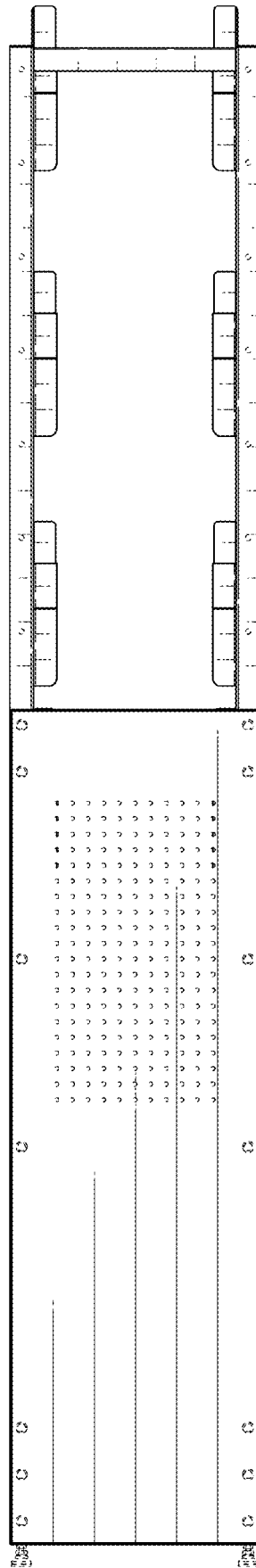


FIG. 11

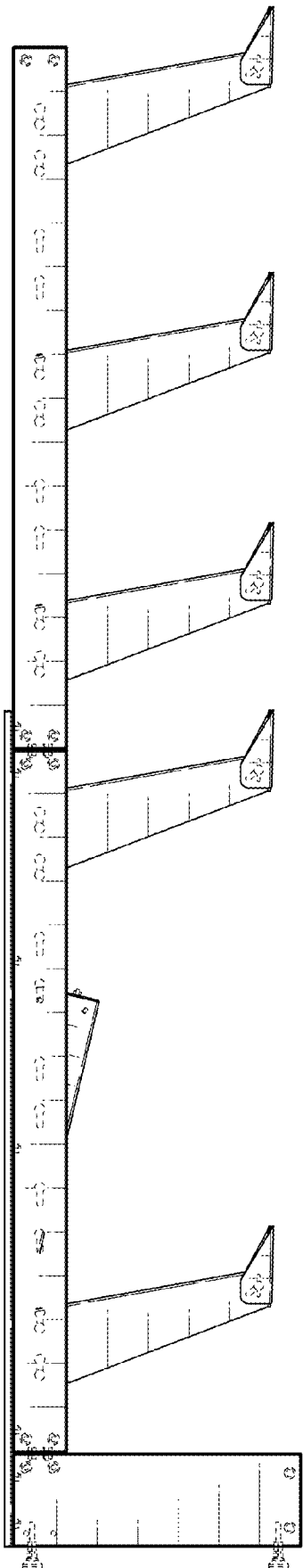


FIG. 12

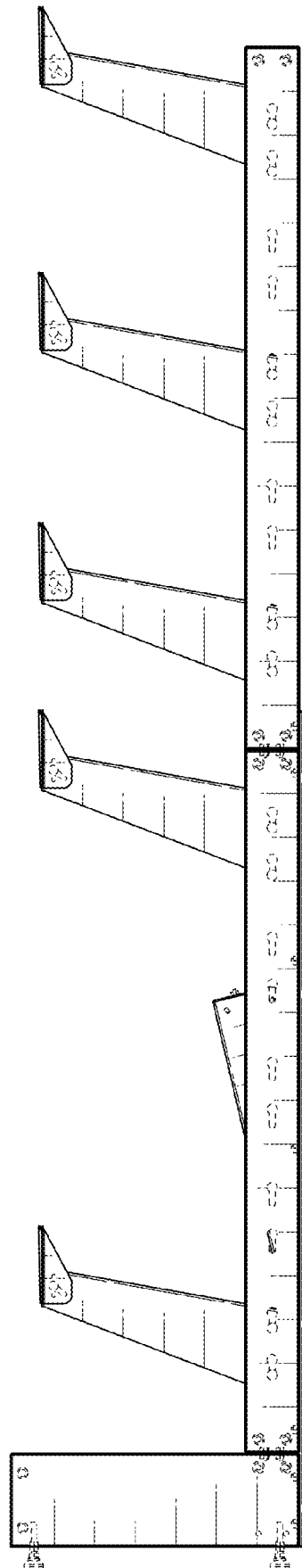


FIG. 13

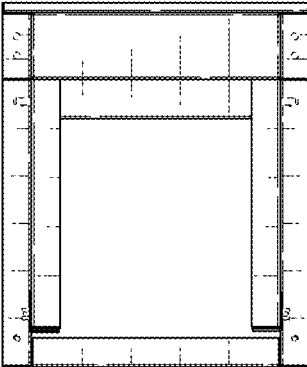


FIG. 14

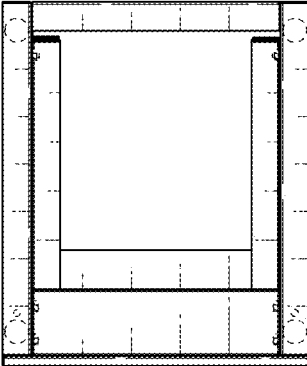


FIG. 15

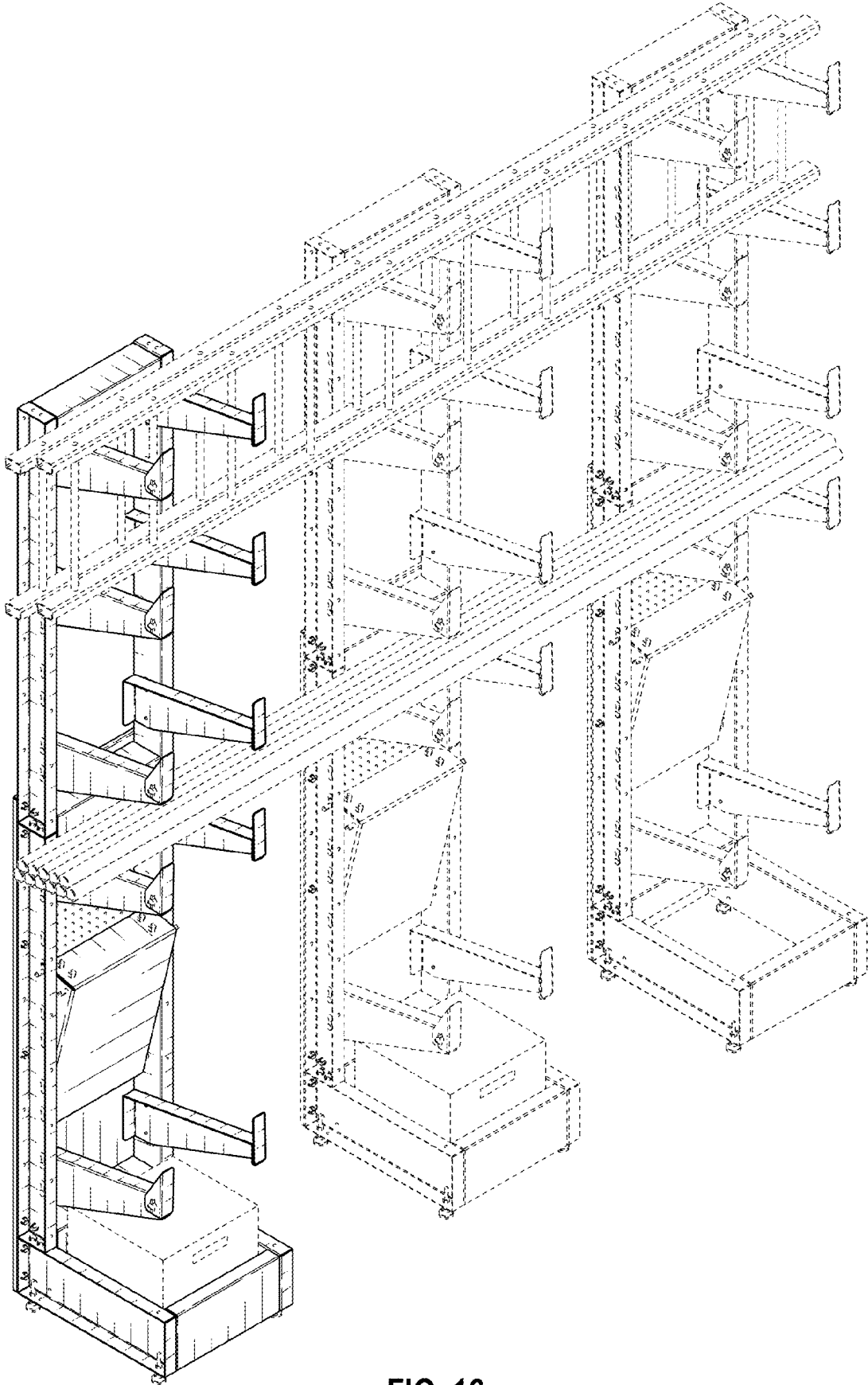


FIG. 16