



US00RE50245E

(19) **United States**  
(12) **Reissued Patent**  
Abel et al.

(10) **Patent Number:** **US RE50,245 E**  
(45) **Date of Reissued Patent:** **Dec. 31, 2024**

(54) **CAMERA**

6,377,173 B1 4/2002 Desai  
D465,504 S 11/2002 Van Klinken  
6,525,645 B2 2/2003 King

(71) Applicant: **The Chamberlain Group, LLC**,  
Elmhurst, IL (US)

(Continued)

(72) Inventors: **Jeremy Abel**, West Dundee, IL (US);  
**Corey Jevon Norman**, Oak Park, IL (US)

FOREIGN PATENT DOCUMENTS

CN 300871034 1/2009  
CN 300971035 1/2009  
CN 302123178 10/2012

(73) Assignee: **THE CHAMBERLAIN GROUP LLC**, Oak Brook, IL (US)

OTHER PUBLICATIONS

(21) Appl. No.: **29/901,769**

Zmodo 720P HD Mini WiFi Smart Security Camera, published Dec. 10, 2015 (online), retrieved Sep. 12, 2023, <https://www.Walmart.com/ip/Zmodo-720P-HD-Mini-WiFi-Smart-Security-Camera-Two-Way-Audio-Night-Vision/47368752>, 13 pp.

(22) Filed: **Sep. 5, 2023**

**Related U.S. Patent Documents**

Reissue of:

(64) Patent No.: **Des. 930,062**  
Issued: **Sep. 7, 2021**  
Appl. No.: **29/770,549**  
Filed: **Feb. 12, 2021**

*Primary Examiner* — Philip S Hyder

(74) *Attorney, Agent, or Firm* — Polson Intellectual Property Law P.C.; Margaret Polson

U.S. Applications:

(62) Division of application No. 29/707,052, filed on Sep. 25, 2019, now Pat. No. Des. 914,076.

(57) **CLAIM**

The ornamental design for a camera, as shown and described.

(51) **LOC (14) Cl.** ..... **16-05**

(52) **U.S. Cl.**  
USPC ..... **D16/219; D16/202**

(58) **Field of Classification Search**  
USPC ..... D16/200, 202, 203, 204, 205, 214, 218,  
D16/219

CPC ..... H04N 23/50; H04N 23/51; H04N 23/54;  
H04N 23/55; H04N 23/62; H04N 23/63

See application file for complete search history.

**DESCRIPTION**

FIG. 1 is a front perspective view of a camera in accordance with our new design;

FIG. 2 is a rear perspective view thereof;

FIG. 3 is a front elevation view thereof;

FIG. 4 is a rear elevation view thereof;

FIG. 5 is a left side elevation view thereof;

FIG. 6 is a right side elevation view thereof;

FIG. 7 is a top plan view thereof; and,

FIG. 8 is a bottom plan view thereof.

The broken lines in the drawings depict portions of the camera that form no part of the claimed design.

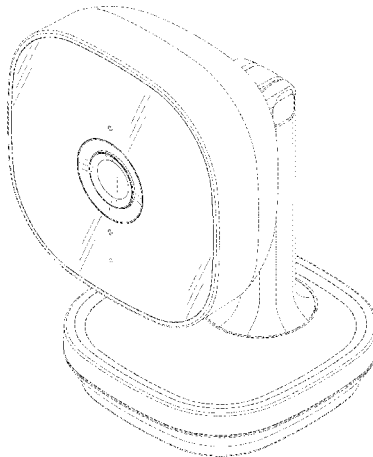
(56) **References Cited**

U.S. PATENT DOCUMENTS

D193,590 S 9/1962 Dreyfuss  
D396,869 S 8/1998 Yamakawa  
D405,424 S 2/1999 Winkler  
D413,867 S 9/1999 Mullet  
D435,835 S 1/2001 Steck

**1 Claim, 8 Drawing Sheets**

**Matter enclosed in heavy brackets [ ] appears in the original patent but forms no part of this reissue; matter printed in italics indicates the additions made by reissue.**



(Amended)

(56)

References Cited

U.S. PATENT DOCUMENTS

D474,221 S	5/2003	Cheng	D755,274 S	5/2016	Lee	
D477,342 S	7/2003	Yeh	D764,559 S	8/2016	Luo	
D478,605 S	8/2003	Guzman	D776,180 S	1/2017	Fiedler	
D480,741 S	10/2003	Berger	D782,926 S	4/2017	Hojo	
D490,380 S	5/2004	Coullahan	D782,929 S	4/2017	Masahiro	
D494,144 S	8/2004	Guzman	D784,434 S	4/2017	Benedetti	
D495,303 S	8/2004	Coullahan	D785,693 S	5/2017	Kim	
D496,674 S	9/2004	Hayashi	D787,836 S	5/2017	Lee	
D508,899 S	8/2005	Suzuki	D788,834 S	6/2017	Bhattacharya	
D516,443 S	3/2006	Gotou	D789,999 S *	6/2017	Yakabe	D16/200
D524,295 S	7/2006	Jacobson	D791,211 S	7/2017	Fujita	
D534,938 S	1/2007	Beasley	D794,694 S	8/2017	Liu	
7,215,238 B2	5/2007	Buck	D795,329 S	8/2017	Martin	
D546,295 S	7/2007	Marchetto	D795,938 S	8/2017	Ravat	
D546,296 S	7/2007	Marchetto	D795,944 S *	8/2017	Mitchell	D16/203
D547,275 S	7/2007	Bonnaud	D797,836 S	9/2017	Li	
D558,810 S	1/2008	Alden	D798,360 S	9/2017	Jeong	
D564,004 S	3/2008	Ikeda	D802,644 S	11/2017	Lee	
D575,316 S	8/2008	Liu	D806,775 S	1/2018	Nguyen	
D582,955 S	12/2008	Sekine	D808,828 S	1/2018	Béhar	
D589,497 S	3/2009	Andre	D809,045 S *	1/2018	Jou	D16/202
D592,158 S	5/2009	Peterson	D813,289 S	3/2018	Laffon De Mazieres	
D594,047 S	6/2009	Lee	D815,550 S	4/2018	Masuyama	
D595,328 S	6/2009	Kim	D816,144 S	4/2018	Vigren	
D600,732 S	9/2009	Kim	D818,028 S	5/2018	Ramones	
D609,727 S	2/2010	Adolfsson	D819,715 S	6/2018	Laurans	
D613,626 S	4/2010	Wang	D820,339 S	6/2018	Yau	
D614,145 S	4/2010	Arosio	D824,982 S	8/2018	Lee	
D614,223 S	4/2010	Kim	D828,425 S	9/2018	Piekarski	
D614,977 S	5/2010	Hollnagel	D828,426 S	9/2018	Li	
D617,944 S	5/2010	Hollnagel	D829,803 S	10/2018	Read	
D624,108 S	9/2010	Wang	D830,446 S	10/2018	Muhlenkamp, IV	
D624,109 S	9/2010	Wang	D831,089 S	10/2018	Laffon De Mazieres	
D649,573 S	11/2011	Al	D840,460 S	2/2019	Scalisi	
D651,633 S	1/2012	Park	D842,142 S	3/2019	Recker	
8,157,457 B2 *	4/2012	Khamsepoor	D848,299 S	5/2019	Li	
		G03B 17/04	D849,077 S	5/2019	Tian	
		396/428	D849,088 S	5/2019	Lai	
			D849,089 S	5/2019	Lu	
D659,732 S	5/2012	Kim	D849,109 S	5/2019	Tong	
D659,733 S	5/2012	Chen	D859,498 S *	9/2019	Lin	D16/218
D660,834 S	5/2012	Akana	D863,406 S *	10/2019	Laffon de Mazieres	D16/219
D667,382 S	9/2012	Cosentino	D865,840 S *	11/2019	White	D16/203
D673,512 S	1/2013	Huang	D871,481 S *	12/2019	Arens	D16/202
D676,075 S	2/2013	Ku	D881,974 S *	4/2020	Nguyen	D16/219
D680,151 S	4/2013	Katori	D885,457 S *	5/2020	Vozzi	D16/203
D681,213 S	4/2013	Solby	D892,896 S	8/2020	Gartrell	
D692,042 S	10/2013	Dawes	D892,898 S *	8/2020	Jacob	D16/203
D692,939 S	11/2013	Huang	D893,575 S	8/2020	Kyte	D16/202
D693,868 S	11/2013	Ying	D893,576 S *	8/2020	Kyte	D16/202
D697,119 S	1/2014	Park	D896,298 S *	9/2020	Whaley	D16/219
D701,496 S	3/2014	Namminga	D896,870 S *	9/2020	Li	D16/203
D711,359 S	8/2014	Marzynski	D897,400 S *	9/2020	Liu	D16/202
D715,228 S	10/2014	Lee	D897,403 S *	9/2020	Liu	D16/202
D721,754 S	1/2015	Chen	D898,098 S *	10/2020	White	D16/203
D722,983 S	2/2015	Paredes	D907,090 S *	1/2021	Zheng	D16/202
D725,049 S	3/2015	Paredes	D907,095 S *	1/2021	Hayes	D16/203
D725,691 S	3/2015	De Rosa	D907,681 S *	1/2021	Gartrell	D16/203
D728,489 S	5/2015	Eriksen	D909,451 S *	2/2021	Hamlin	D16/208
D729,296 S	5/2015	Shelton	D912,121 S *	3/2021	Han	D16/203
D730,421 S	5/2015	Huang	D914,784 S *	3/2021	Wei	D16/203
D730,423 S *	5/2015	Vandenbussche	D930,062 S	9/2021	Abel et al.	
D732,512 S	6/2015	Fariello	D941,076 S	1/2022	West et al.	
D733,780 S	7/2015	Chen	D968,498 S *	11/2022	Zhang	D16/218
D733,781 S	7/2015	Chen	D974,443 S *	1/2023	Zheng	D16/202
D736,292 S	8/2015	Fengmin	D989,149 S *	6/2023	McManigal	D16/203
D740,871 S	10/2015	Moon	2006/0221206 A1	10/2006	Lin	
D741,932 S	10/2015	Huang	2007/0292124 A1	12/2007	Gottwald	
D743,467 S	11/2015	Bhattacharya	2009/0008521 A1	1/2009	Lee	
D744,572 S	12/2015	Tabuchi	2012/0120236 A1	5/2012	Xiao	
D746,889 S	1/2016	Moon	2013/0063259 A1	3/2013	Kramer	
D747,384 S	1/2016	Scalisi	2013/0176243 A1	7/2013	Bianrosa	
D747,756 S	1/2016	Scalisi	2014/0150349 A1	6/2014	Yates	
D748,709 S	2/2016	Jeong	2015/0109441 A1	4/2015	Fujioka	
D751,515 S	3/2016	Paredes	2016/0112636 A1	4/2016	Yamaguchi	
D751,617 S	3/2016	Sakigawara	2017/0006340 A1	1/2017	Enke	
D754,233 S	4/2016	Du				

(56)

**References Cited**

U.S. PATENT DOCUMENTS

2018/0240621 A1 8/2018 Oomori  
2019/0089872 A1\* 3/2019 Rukes ..... G03B 17/08

\* cited by examiner

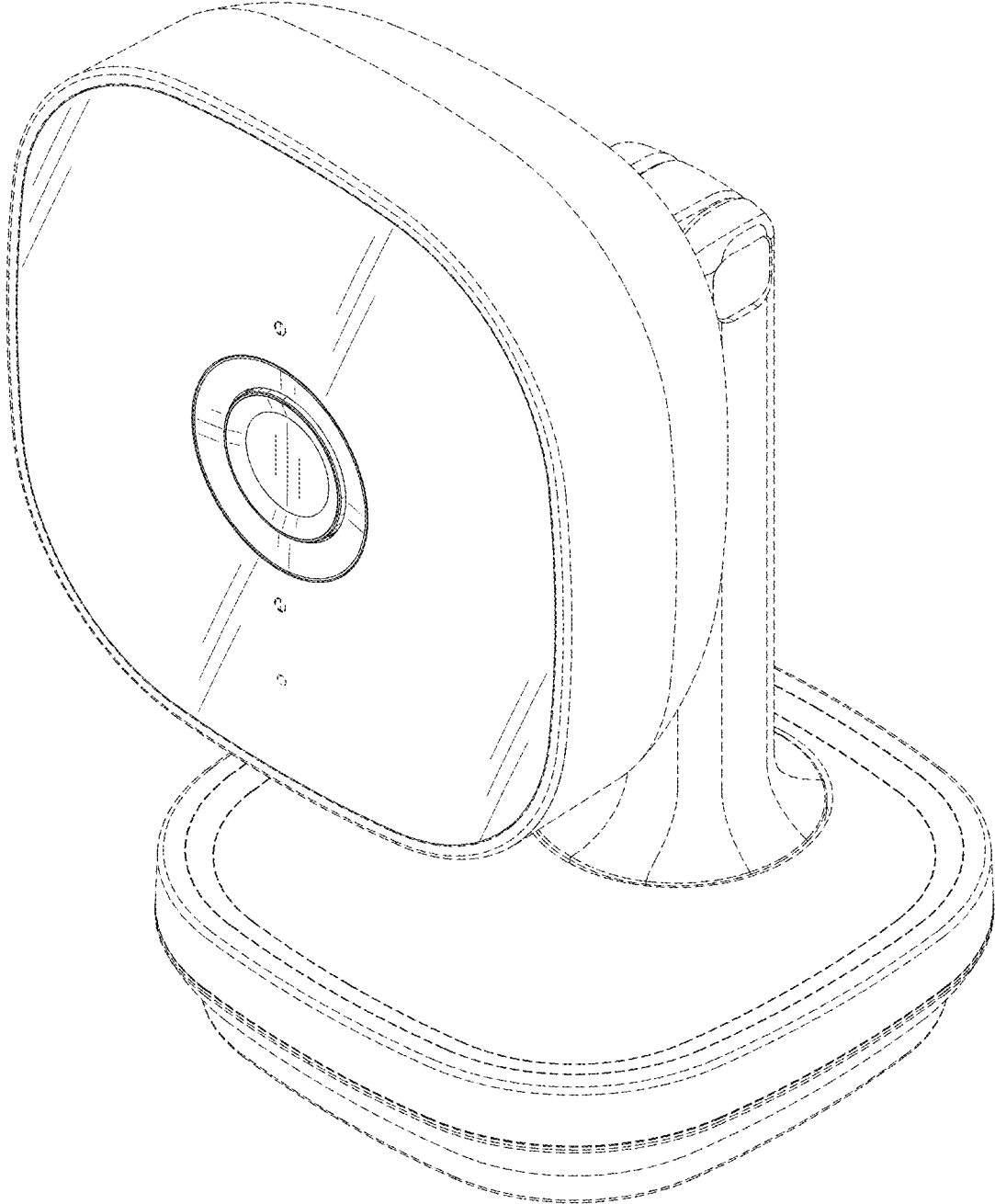


Fig. 1 (Amended)

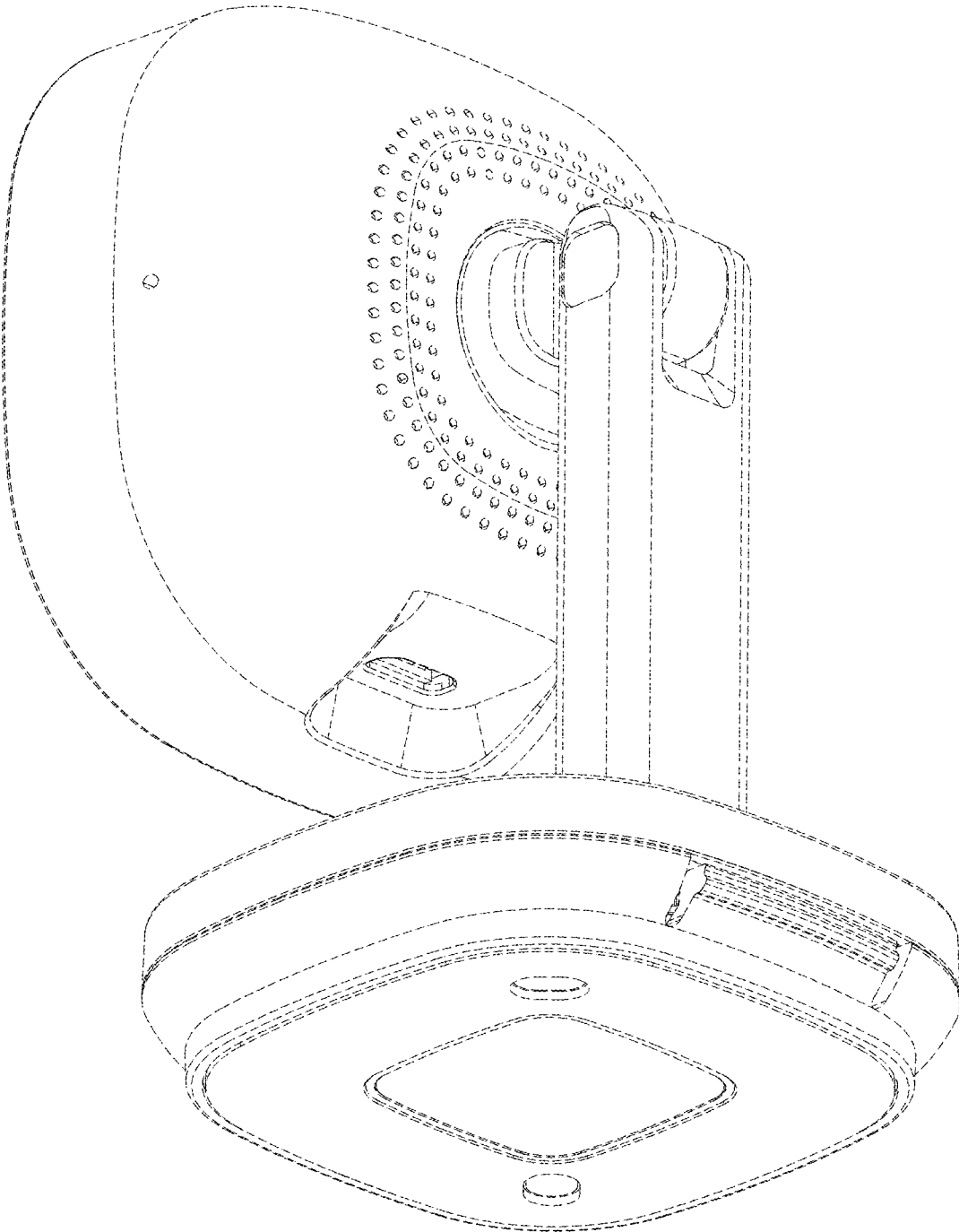


Fig. 2 (Amended)

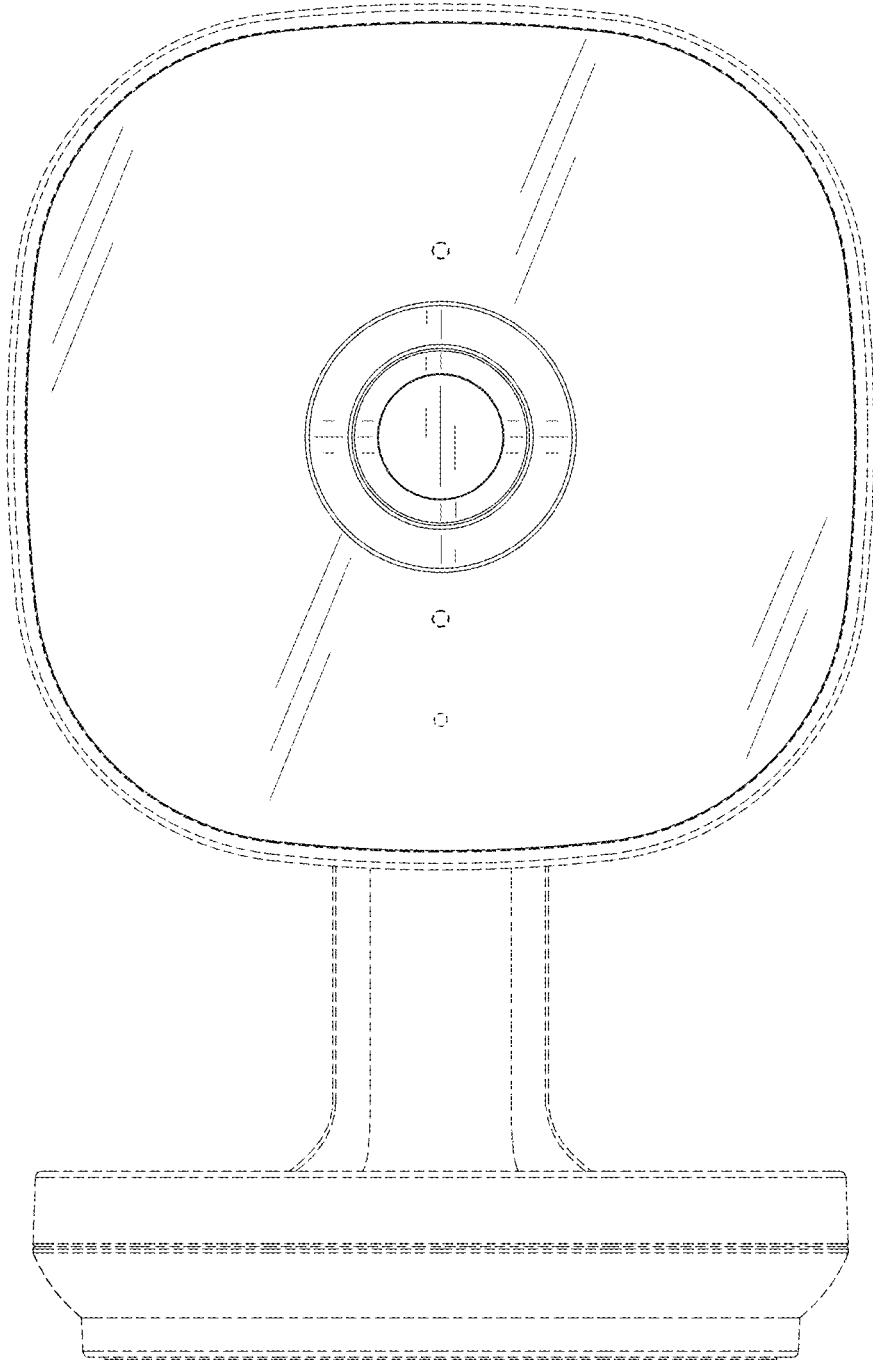


Fig. 3 (Amended)

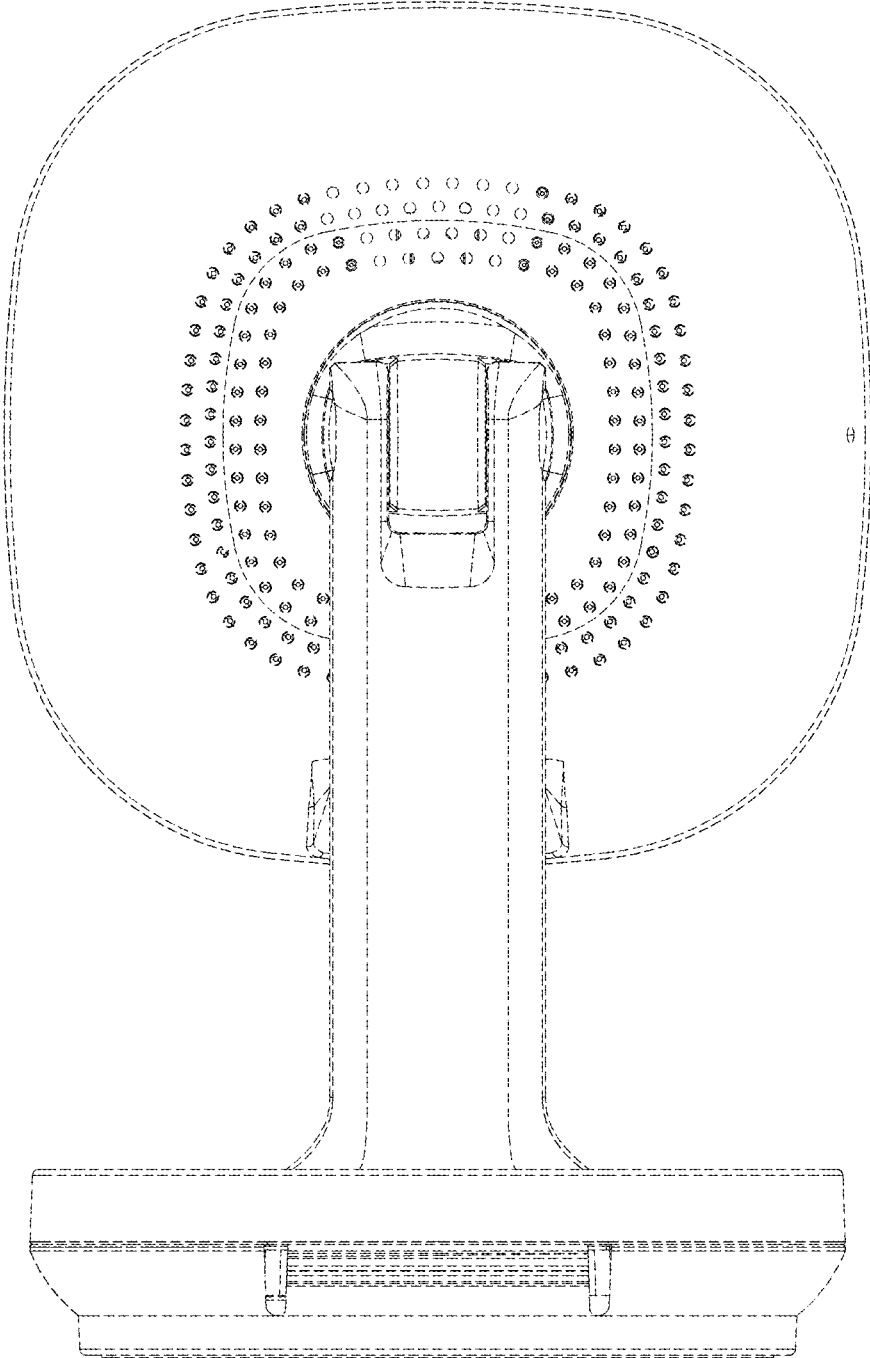


Fig. 4 (Amended)

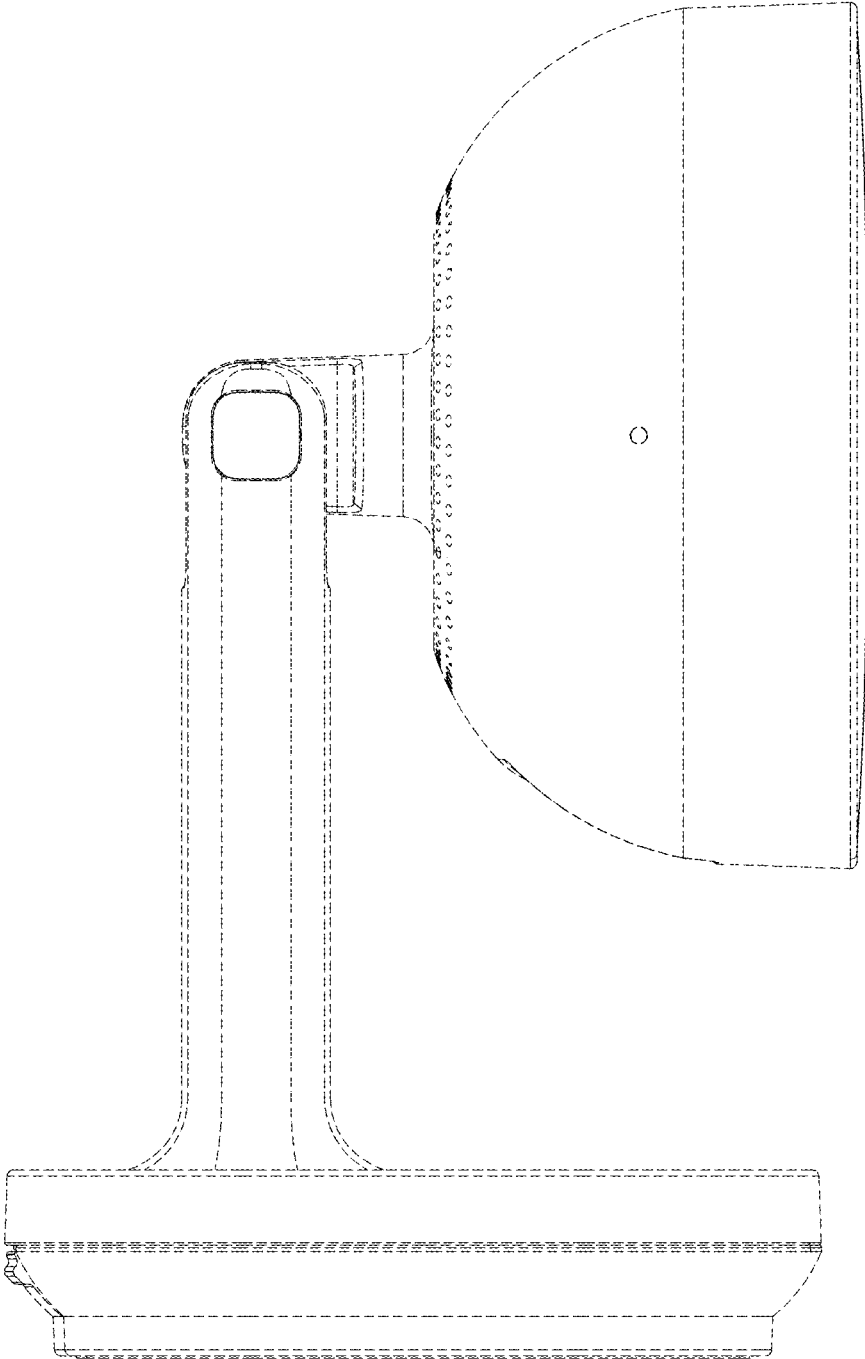


Fig. 5 (Amended)



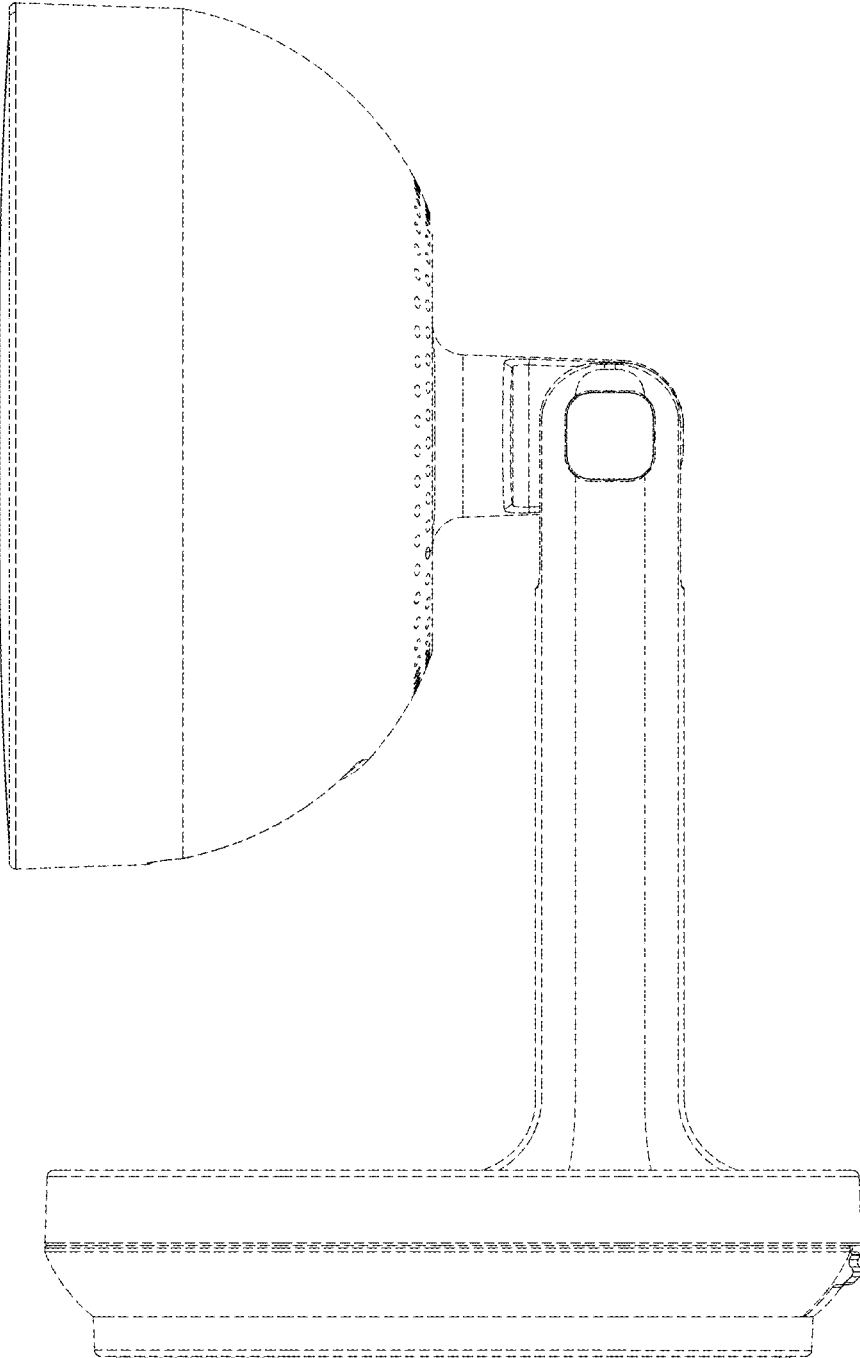


Fig. 6 (Amended)

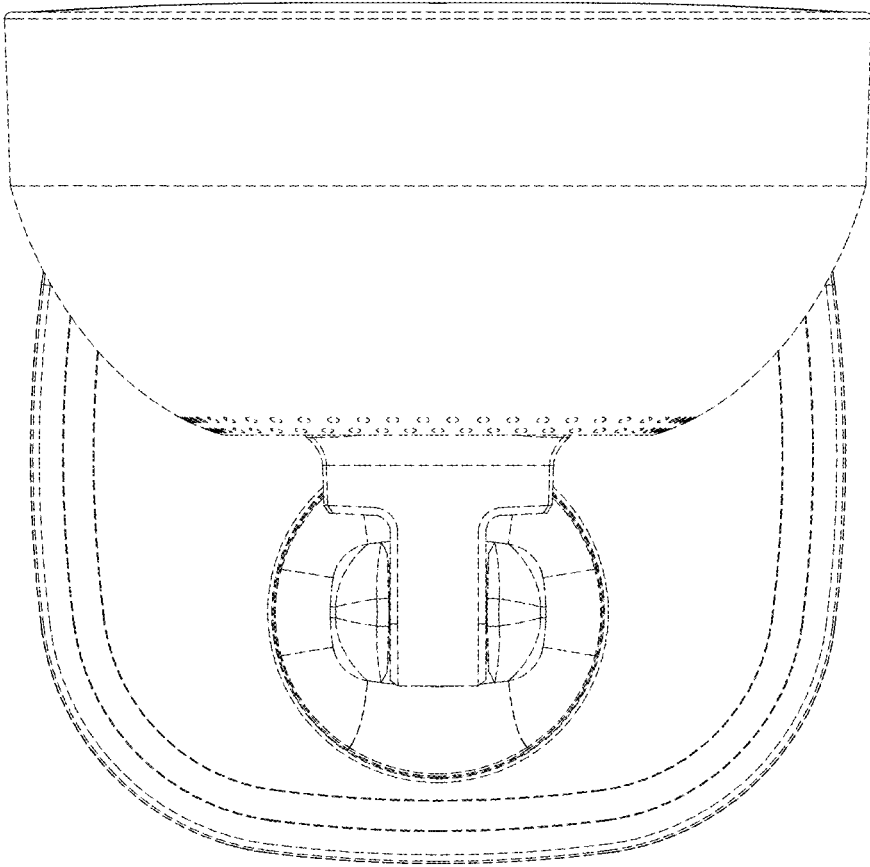


Fig. 7 (Amended)

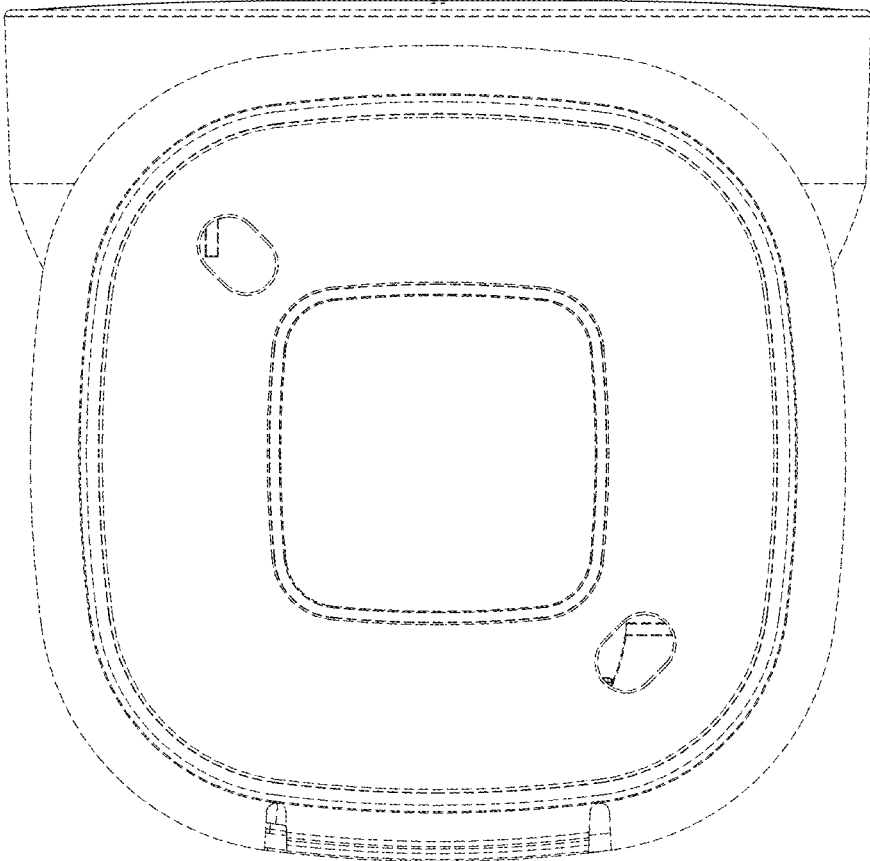


Fig. 8 (Amended)