

[54] PAINT POT LINER

[76] Inventor: Paul B. Ahern, 32 Stevens Rd., Melrose, Mass. 02176

[**] Term: 14 Years

[21] Appl. No.: 949,613

[22] Filed: Oct. 10, 1978

[51] Int. Cl. D09-99

[52] U.S. Cl. D9/429

[58] Field of Search D9/253, 289, 290, 294, D9/220; 220/403, 404, 410; D11/152

[56] References Cited

U.S. PATENT DOCUMENTS

2,823,399	2/1958	Stewart	220/404
3,027,684	4/1962	Keiding	D11/152

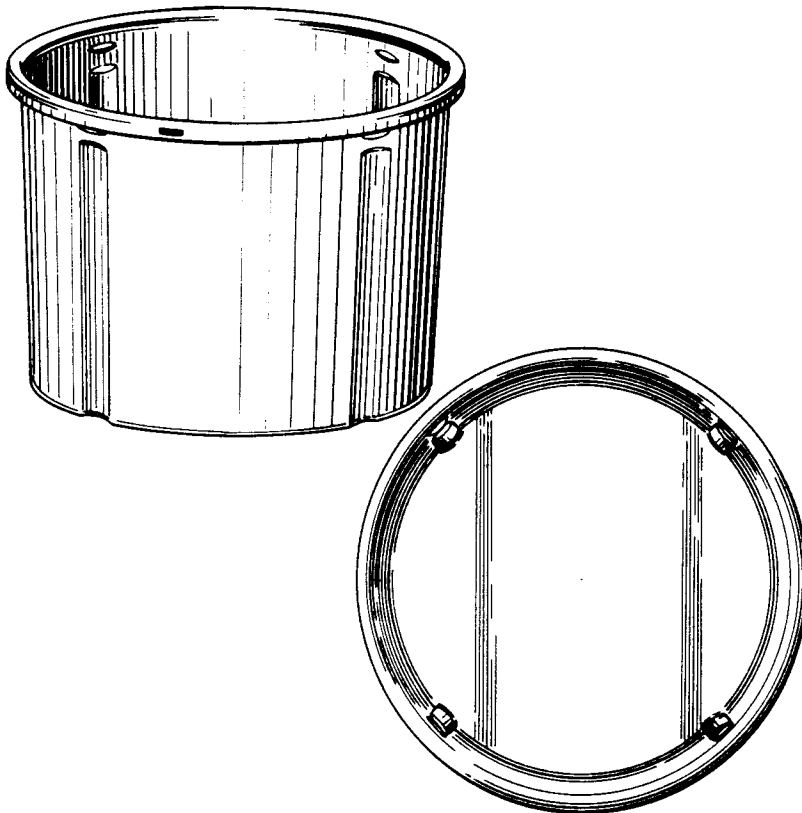
Primary Examiner—Joel Stearman
Assistant Examiner—Carmen H. Vales
Attorney, Agent, or Firm—James E. Mrose

[57] CLAIM

The ornamental design for a paint pot liner, substantially as shown.

DESCRIPTION

FIG. 1 is a perspective view of a paint pot liner showing my new design;
FIG. 2 is a top plan view thereof;
FIG. 3 is a side elevational view taken from the right of FIG. 1;
FIG. 4 is a side elevational view taken from the left of FIG. 1;
FIG. 5 is a front elevational view thereof;
FIG. 6 is a back elevational view thereof; and
FIG. 7 is a bottom plan view thereof.



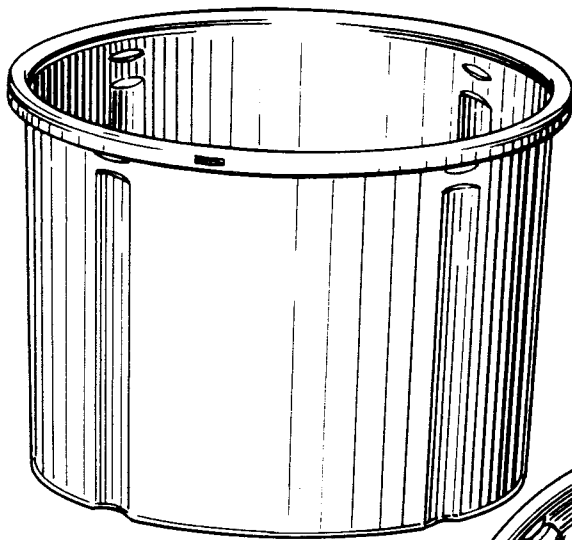


FIG. 1

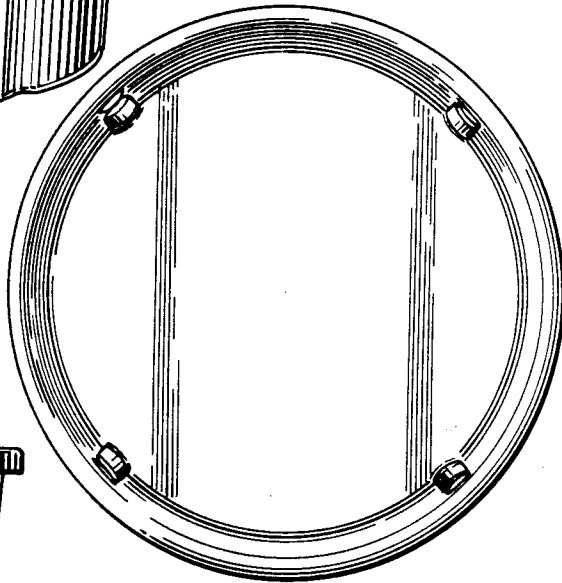


FIG. 2

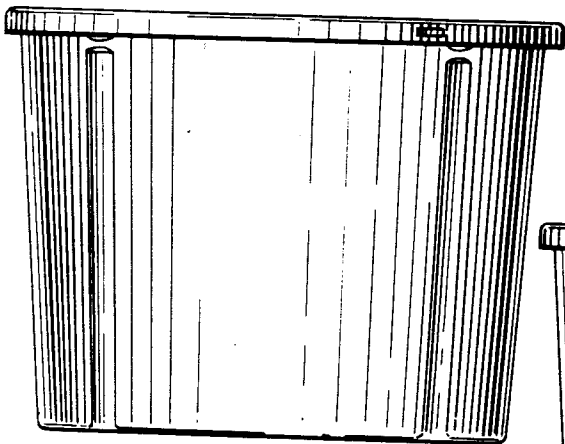


FIG. 3

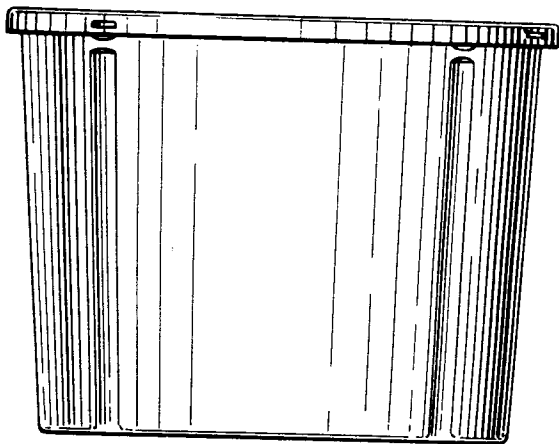


FIG. 4

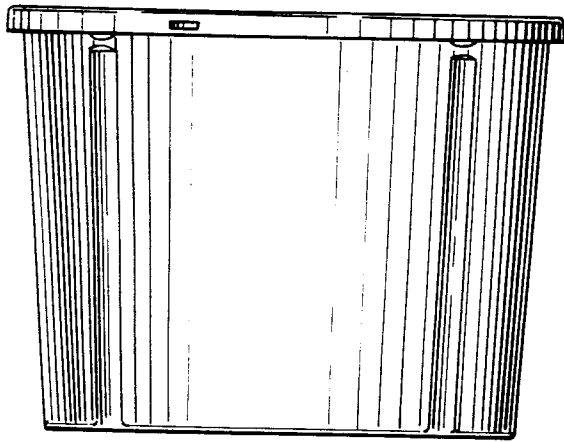


FIG. 5

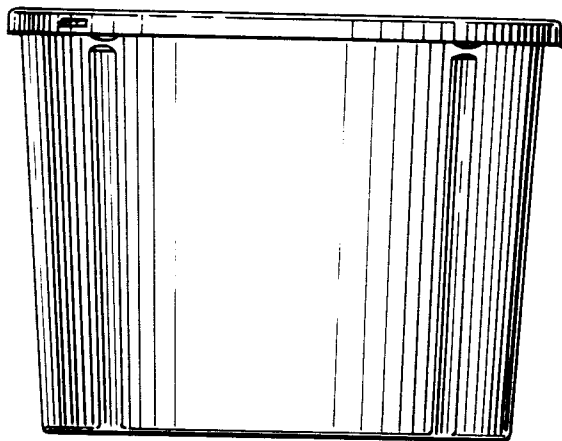


FIG. 6

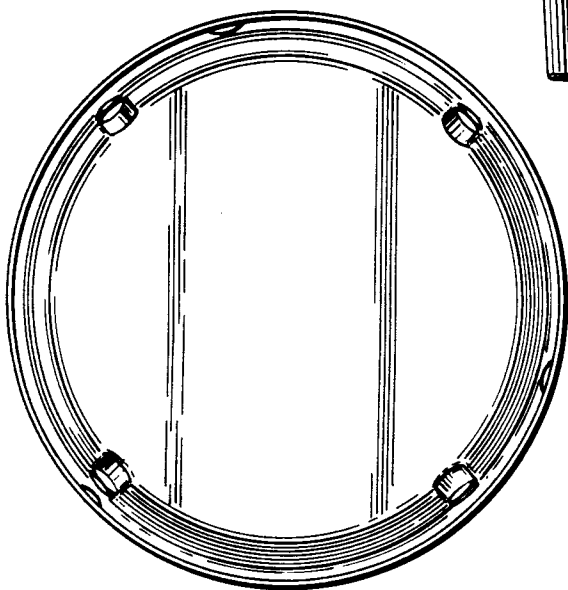


FIG. 7