



US00D929320S

(12) **United States Design Patent** (10) **Patent No.:** **US D929,320 S**
Weiß et al. (45) **Date of Patent:** **** Aug. 31, 2021**

- (54) **EQUIPMENT FOR DISTRIBUTION OF ELECTRIC POWER** 6,191,948 B1 * 2/2001 Beyer H02B 1/056
174/68.2
- 6,346,793 B1 * 2/2002 Shibata H02J 7/0042
320/107
- (71) Applicant: **Ellenberger & Poensgen GmbH,** D541,740 S * 5/2007 Tsai D13/108
Altdorf (DE) D635,917 S * 4/2011 Okuda D13/107
- (72) Inventors: **Wolfgang Weiß,** Altdorf (DE); **Judith** D636,723 S * 4/2011 Yamamoto D13/107
Tenzer, Ulm (DE) D654,018 S * 2/2012 Conley D13/107
- (73) Assignee: **Ellenberger & Poensgen GmbH,** D821,324 S * 6/2018 Viman D13/123
Altdorf (DE) D824,854 S * 8/2018 Andersson D13/123
- (**) Term: **15 Years** D855,019 S * 7/2019 Rustill D13/108
- (21) Appl. No.: **35/508,856** D885,331 S * 5/2020 Suzuki D13/108
- D890,692 S * 7/2020 Elder D13/103
- (22) Filed: **Feb. 7, 2020** D891,368 S * 7/2020 Reese D13/110
- D896,754 S * 9/2020 Kokoruda D13/110
- D900,024 S * 10/2020 Kuang D13/107
- D909,962 S * 2/2021 Kim D13/102

* cited by examiner

(80) **Hague Agreement Data**
 Int. Filing Date: **Feb. 7, 2020**
 Int. Reg. No.: **DM/206404**
 Int. Reg. Date: **Feb. 7, 2020**
 Int. Reg. Pub. Date: **Mar. 20, 2020**

Primary Examiner — Rhea Shields
 (74) *Attorney, Agent, or Firm* — Laurence A. Greenberg;
 Werner H. Stemer; Ralph E. Locher

(51) **LOC (13) Cl.** **13-02**
 (52) **U.S. Cl.**
 USPC **D13/103**

(57) **CLAIM**

The ornamental design for an equipment for distribution of electric power, as shown and described.

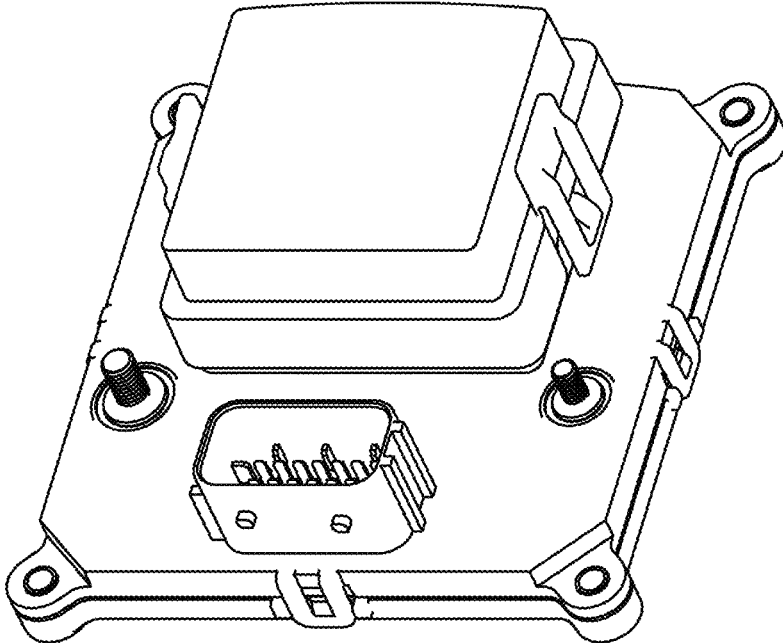
(58) **Field of Classification Search**
 USPC D3/103, 123, 147, 110, 107, 108, 102
 CPC H02B 1/056; H01H 71/0271; H02J 7/0042
 See application file for complete search history.

DESCRIPTION

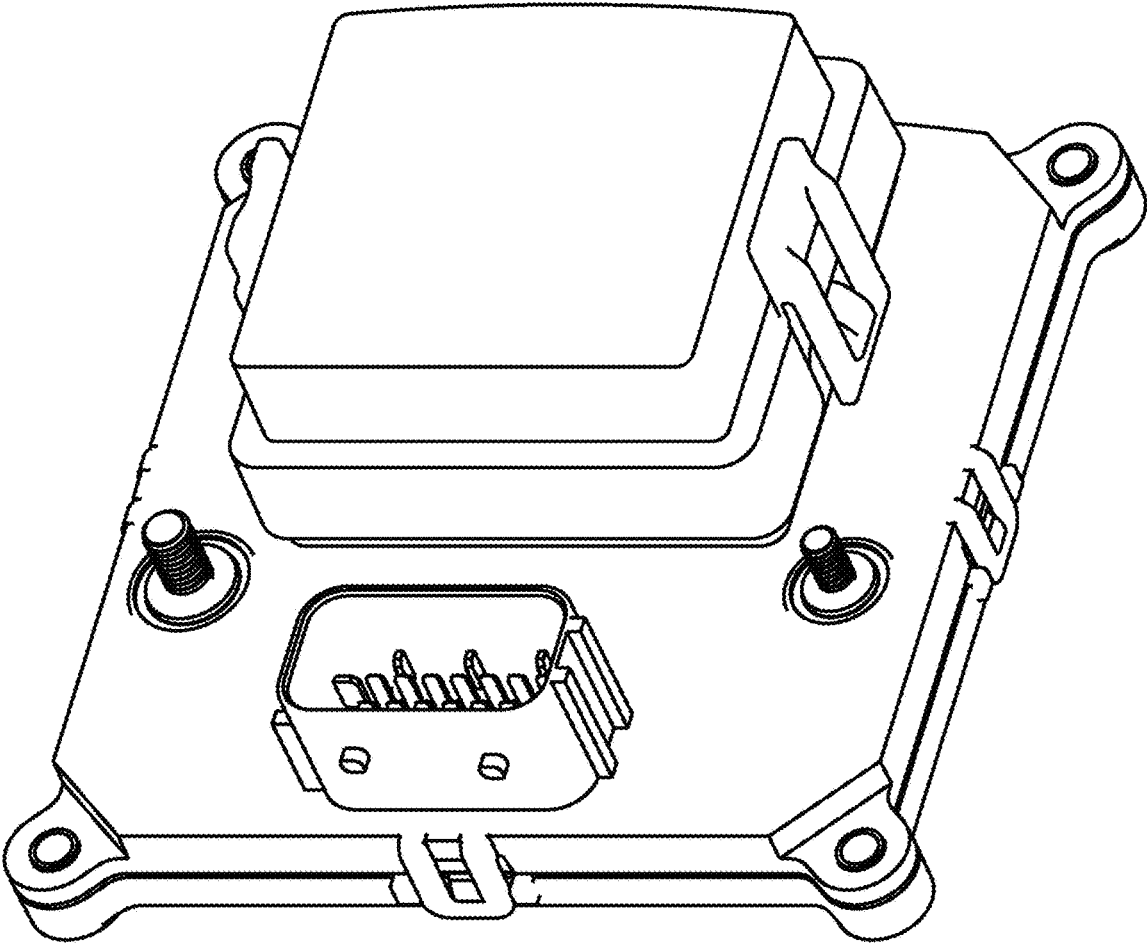
- 1. Equipment for distribution of electric power
- 1.1 : Perspective
- 1.2 : Top
- 1.3 : Bottom
- 1.4 : Front
- 1.5 : Back
- 1.6 : Left
- 1.7 : Right

(56) **References Cited**
 U.S. PATENT DOCUMENTS
 4,171,862 A * 10/1979 Krasser H01H 71/0271
 361/823
 5,689,171 A * 11/1997 Ludewig H02J 7/0042
 320/110

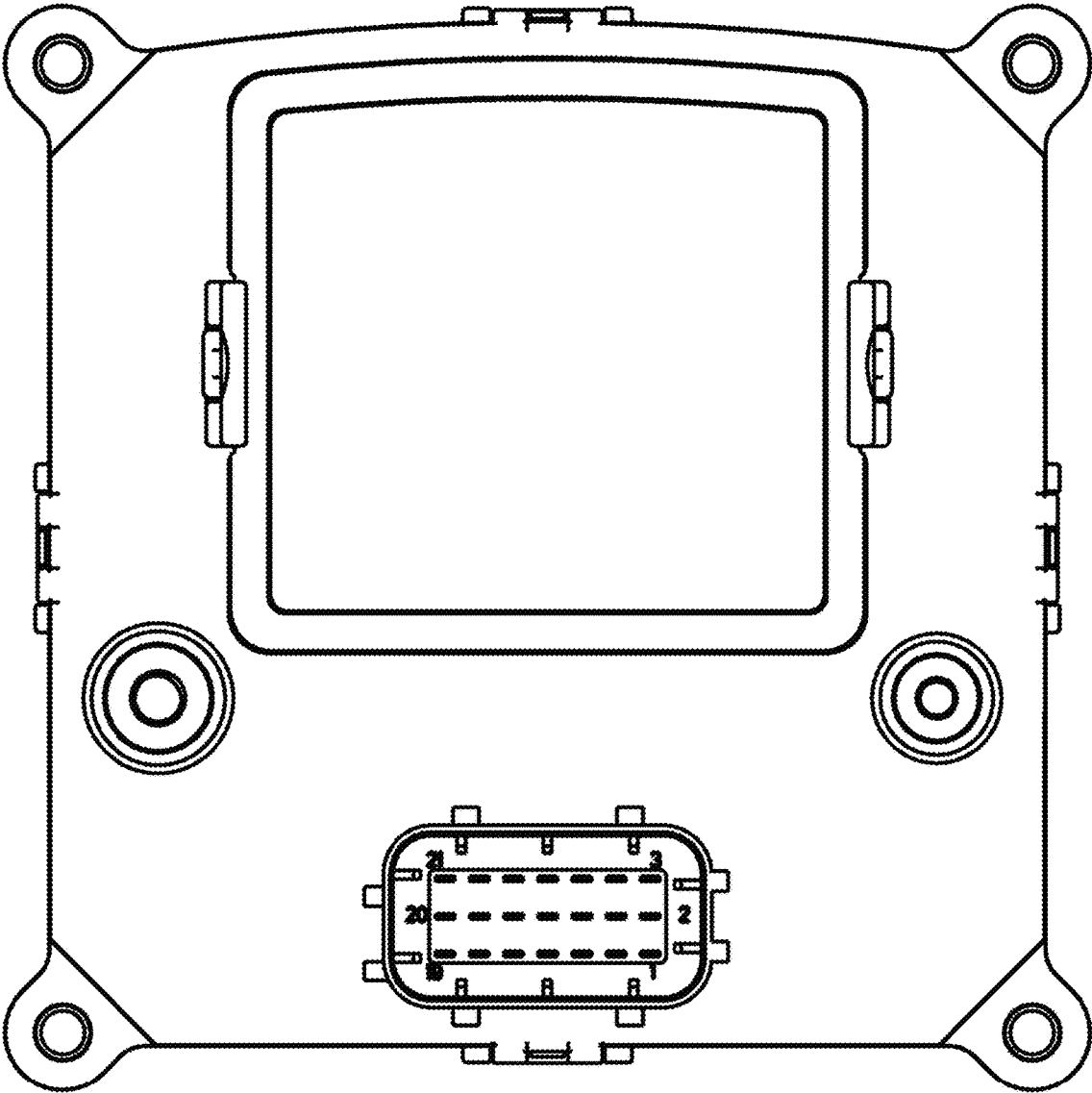
1 Claim, 7 Drawing Sheets



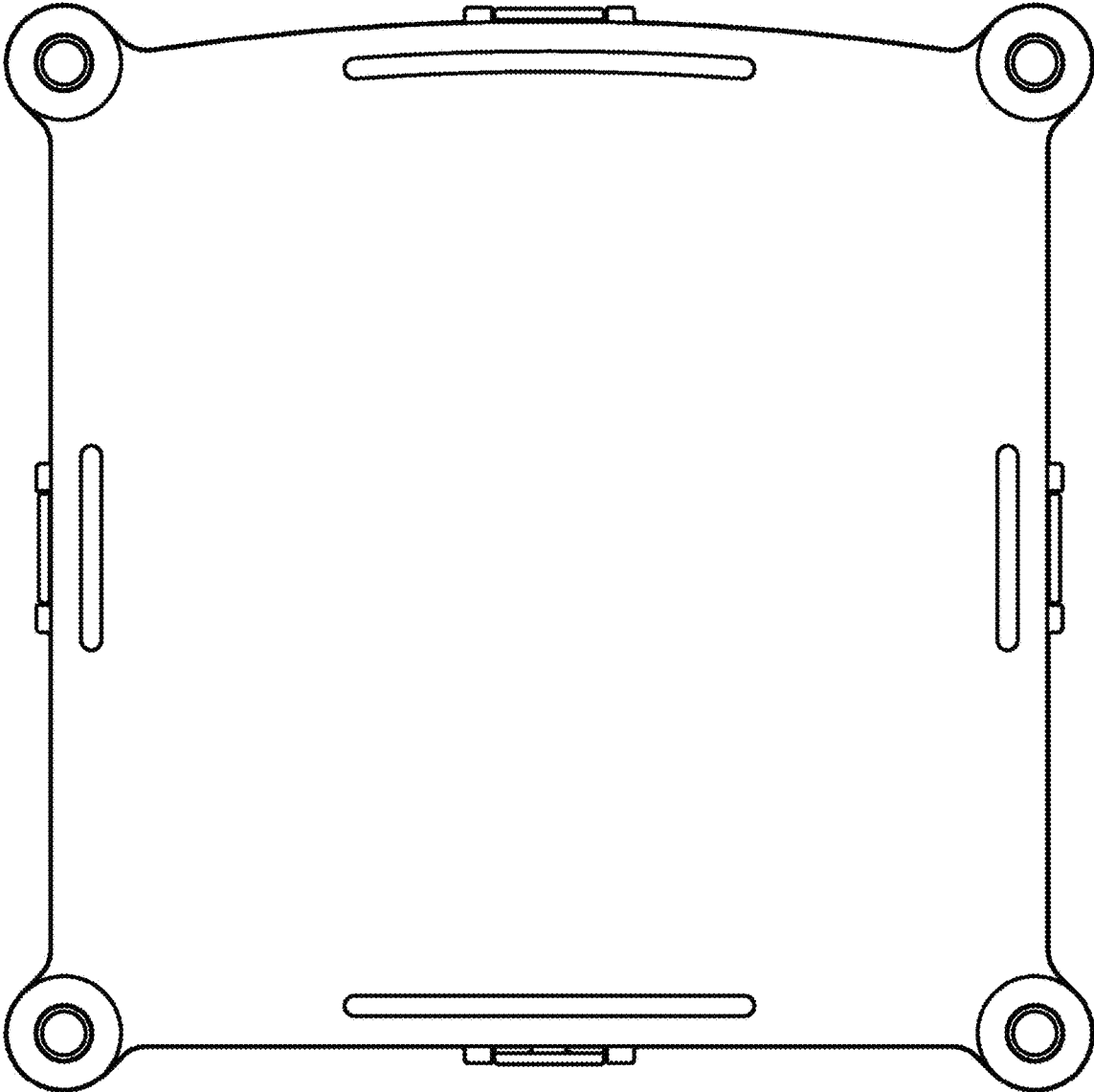
1.1



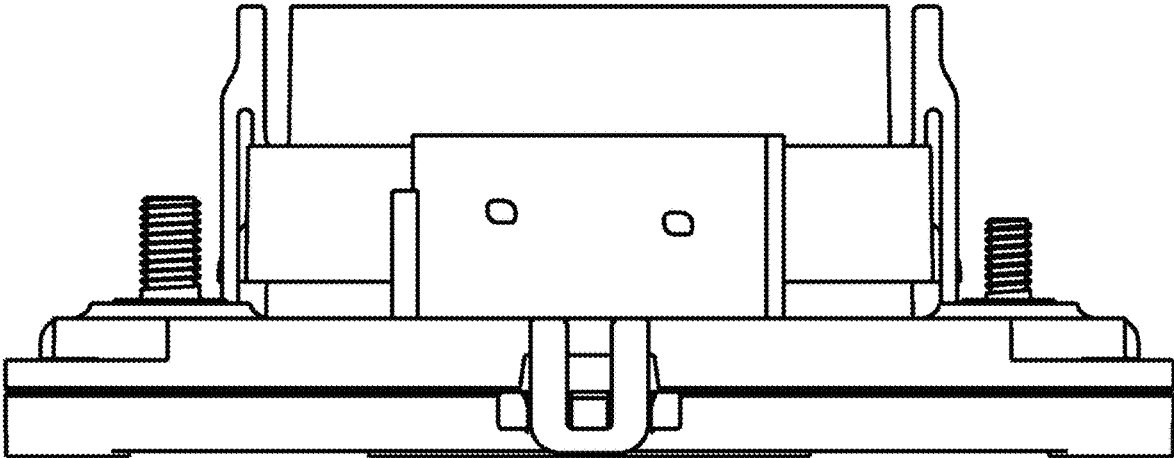
1.2



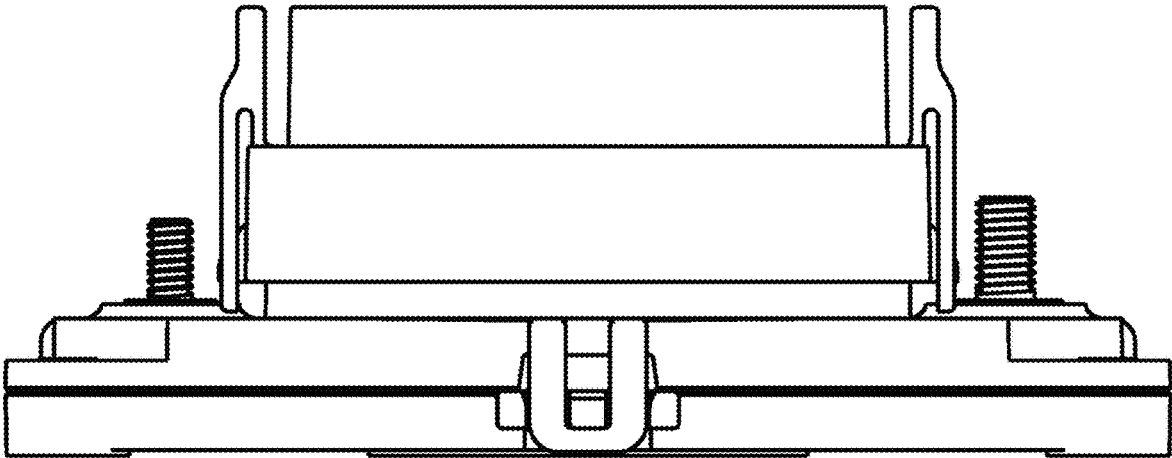
1.3



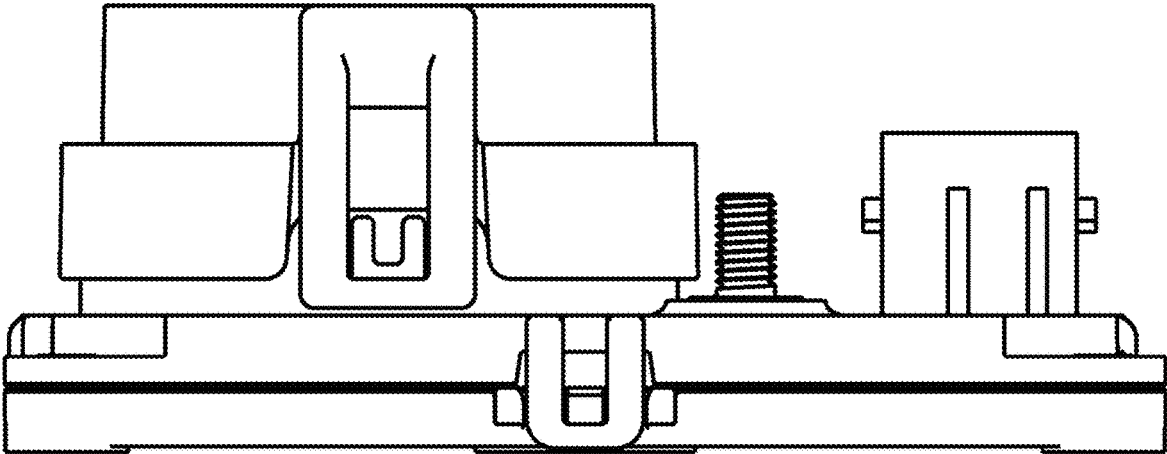
1.4



1.5



1.6



1.7

