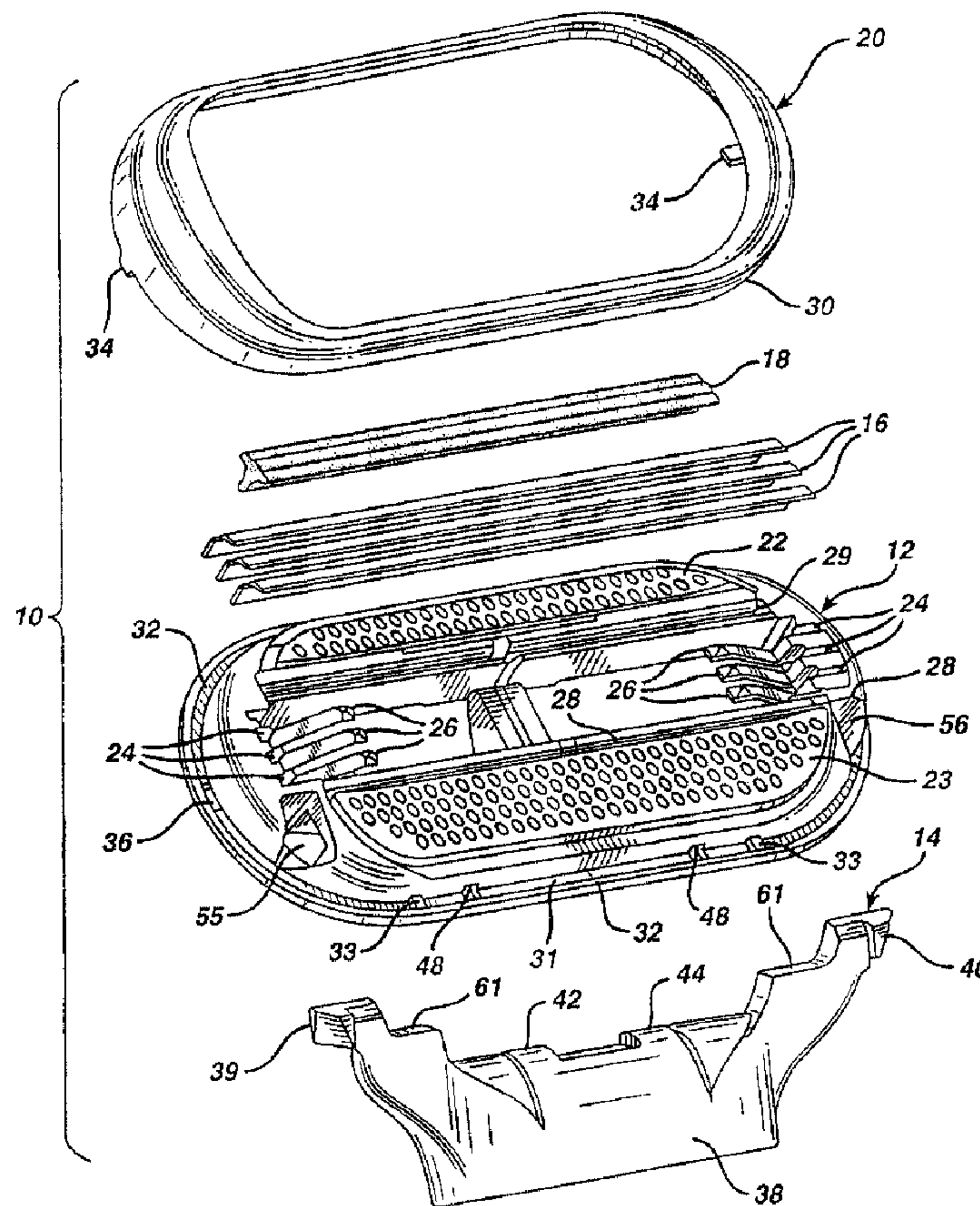




(22) Date de dépôt/Filing Date: 1999/04/20
 (41) Mise à la disp. pub./Open to Public Insp.: 1999/11/04
 (45) Date de délivrance/Issue Date: 2005/08/23
 (62) Demande originale/Original Application: 2 328 417
 (30) Priorité/Priority: 1998/04/24 (09/066,499) US

(51) Cl.Int.⁷/Int.Cl.⁷ B26B 21/22, B26B 21/40
 (72) Inventeurs/Inventors:
 SWANSON, GERALD TED, US;
 FLAHERTY, PAUL, US;
 GUAY, MATTHEW JOSEPH, US;
 METCALF, STEPHEN C., US
 (73) Propriétaire/Owner:
 THE GILLETTE COMPANY, US
 (74) Agent: MACRAE & CO.

(54) Titre : ENSEMBLE LAMES DE RASOIR
 (54) Title: RAZOR BLADE SYSTEM



(57) Abrégé/Abstract:

A shaving unit comprises an elongated housing member having at least one shaving blade disposed thereon extending lengthwise and upwardly from an upper surface of the housing member. Wall structure formed on the housing forms a pair of cavities, one disposed adjacent a lower surface of each end of the housing. An interconnect portion is adapted to establish a pivotal connection

(57) **Abrégé(suite)/Abstract(continued):**

between the housing and a razor handle, the interconnect portion comprising a unitary body having a pair of opposed arms at either side thereof extending outwardly lengthwise of the housing. A pair of first and second opposed coaxial bearing surfaces disposed at each side of the interconnect body member contact the housing, each of the first bearing surfaces being disposed on a respective arm and received in a respective cavity and each of the second bearing surfaces being disposed on the body inwardly of the first bearing surfaces. Each first bearing surface is located for contacting a portion of the wall structure and each second bearing surface is located for contact with an under surface of the housing.

ABSTRACT

A shaving unit comprises an elongated housing member having at least one shaving blade disposed thereon extending lengthwise and upwardly from an upper surface of the housing member. Wall structure formed on the housing forms a pair of cavities, one disposed adjacent a lower surface of each end of the housing. An interconnect portion is adapted to establish a pivotal connection between the housing and a razor handle, the interconnect portion comprising a unitary body having a pair of opposed arms at either side thereof extending outwardly lengthwise of the housing. A pair of first and second opposed coaxial bearing surfaces disposed at each side of the interconnect body member contact the housing, each of the first bearing surfaces being disposed on a respective arm and received in a respective cavity and each of the second bearing surfaces being disposed on the body inwardly of the first bearing surfaces. Each first bearing surface is located for contacting a portion of the wall structure and each second bearing surface is located for contact with an under surface of the housing.

RAZOR BLADE SYSTEM

This application is a division of copending commonly owned Canadian Patent Application No. 2,328,417 of April 20 1999.

5

BACKGROUND OF THE INVENTION

The present invention relates to a safety razor system and more particularly to a shaving system wherein a replaceable cartridge is provided for connecting a housing containing a plurality of razor blades onto a razor handle by employment of a pivotal connection.

10

Shaving systems are known wherein a replaceable cartridge contains a housing having a plurality of blades contained therein, the blades being resiliently mounted relative to the housing so as to deflect in response to the contours of the skin during the shaving process. It is also known to pivotably mount the blade-carrying housing to a razor handle by employing a connector member to produce a replaceable cartridge wherein the connector member contains structure for receiving a disconnectable handle in interconnecting engagement. The design and implementation of a structure employing the above features is shown and described in copending PCT Patent Application WO97/37819 published October 16, 1997 and in U.S. Patent No. 5,956,851 of September 28, 1999.

15

20

Razor systems have also been proposed, particularly for use by women, wherein the generally accepted rectangular shape of the razor-carrying housing has been abandoned and replaced by a substantially oval-shaped configuration which is more easily adapted to use in shaving the legs or underarm of the user. In addition, it has been proposed that the plurality of parallel blades disposed in the elongated housing housing member be provided with skin-contacting surfaces at either side thereof which are manufactured of a resilient material having upwardly projecting cup surfaces which serve to stretch the skin during the shaving process and capture a lubricous shaving preparation applied to the skin. The above features are shown and described in PCT Patent Application WO97/17174 published may 15, 1997 and assigned to the assignee of the present invention.

25

30

The above-enumerated features all are effective to produce a shaving system which is greatly improved over those of the prior art, when employed under normal conditions. However, it has been found that, in many instances, the razor system may be subjected to abnormal abuse, such as repetitive dropping on tile flooring in the shower, or, in some instances, during carrying of the razor system during travel. Under these conditions, the cutting edge of the razor blades may become slightly misaligned, one with the other, or with the guard bar provided forward of the blade edges, or when employing a pivotal interconnect member as referenced

35

above, the interconnect member and the housing containing the blades may become misaligned. Each of these conditions could affect the ease and comfort of the shaving process that the user would expect from the safety razor system.

Some of the above concerns are dealt with by the invention according to the parent application which may be considered as providing a unitary annular retainer clip for assembly onto a wet shaving razor housing. An annular body having upper and under surfaces and a pair of opposed longitudinal portions and a pair of opposed lateral portions joined thereto define a blade-receiving pocket therebetween having an inner peripheral annular margin. An annular rim depends from the annular body longitudinal and lateral portions, the annular rim defining between sides thereof a razor housing receiving pocket. A plurality of downwardly directed planar first datum surfaces are formed on the under surface of the longitudinal portions and extend along the longitudinal portions towards the lateral portions. A plurality of downwardly directed elongated planar second datum surfaces are formed on the under surface of both the opposed lateral portions adjacent the inner peripheral margin of the blade-receiving pocket and extend generally parallel to the lateral portions. Finally, a plurality of latch elements are formed on the under surface, the latch elements being positionable at least partially upwardly facing and also being in spaced relation to the first plurality of datum surfaces, whereby the latch elements restrain the annular clip from movement relative to a razor housing positioned between the latch elements and the under surface. During assembly of the annular retainer clip onto a housing containing razor blades, the second plurality of datum surfaces and therewith the upward location of the razor blades are positioned at a spatial orientation relative to the housing determined by the first plurality of datum surfaces.

SUMMARY OF THE INVENTION

The present invention, on the other hand, addresses other concerns of the prior art by providing a shaving unit comprising an elongated housing member having at least one shaving blade disposed thereon extending lengthwise and upwardly from an upper surface of the housing member; wall structure formed on the housing forming a pair of cavities, one disposed adjacent a lower surface of each end of the housing; an interconnect portion adapted to establish a pivotal connection between the housing and a razor handle; the interconnect portion comprising a unitary body having a pair of opposed arms at either side thereof extending outwardly lengthwise of the housing; and a pair of first and second opposed coaxial bearing surfaces disposed at each side of the interconnect body member for contacting the housing; each of the first bearing surfaces being disposed on a respective arm and received in a respective cavity and each of the second bearing surfaces being disposed on the body inwardly

of the first bearing surfaces; each first bearing surface being located for contacting a portion of the wall structure and each second bearing surface being located for contact with an under surface of the housing.

5 BRIEF DESCRIPTION OF THE DRAWINGS

Reference is made to the accompanying drawings in which there is shown an illustrative embodiment of the invention from which its novel features and advantages will be apparent, wherein:

10 Figure 1 is a perspective exploded view showing a safety razor system constructed in accordance with the teachings of the present invention;

Figure 2 is top plan view showing the safety razor system in assembled form;

Figure 3 is a bottom plan view showing the assembled structure of Figures 1 and 2 having movable elements thereof positioned differently than as shown in Figure 2;

15 Figure 4 is a top plan view showing a pair of the elements of Figure 1 connected to one another as found in the assembled structure;

Figure 5 is an elevational sectional view taken along the line V--V of Figure 2 showing details of the assembled structure of Figures 1 through 3;

Figure 6 is sectional view taken along the line VI--VI of Figure 12, shown on an enlarged scale for clarity;

20 Figure 7 is a bottom plan view showing details of an element of the structure of Figures 1 through 3;

Figure 8 is an elevational sectional view taken along the line VIII--VIII of Figure 4 showing further details of the assembled structure of Figures 1 through 3;

25 Figure 9 is a fragmentary sectional view taken along the line IX--IX of Figure 8 showing, on an enlarged scale, a portion of the assembled structure of Figures 1 through 3 in detail;

Figure 10 is a fragmentary sectional view taken along the line X--X of Figure 8 showing, on an enlarged scale, another portion of the assembled structure of Figures 1 through 3; and

30 Figure 11 is an elevational side view of the assembled structure of Figures 1 through 3 showing relative movement of the elements of the assembly during usage in the shaving process; and

Figure 12 is a bottom plan view showing details of the unitary annular retainer clip employed in the structure of Figures 1 through 3.

DESCRIPTION OF THE PREFERRED EMBODIMENT

35 Referring to the drawings and in particular to Figures 1 through 4, there is shown a

safety razor system 10 comprising an elongated housing 12 and an interconnect member 14. The housing is provided with a plurality of blades 16, three in number, and a shaving aid strip 18 mounted onto the elongated housing behind the blades in a cap position and in parallel relationship with the blades. A unitary annular retainer clip 20 is provided for assembly about the periphery of the housing 12 contacting the ends of the blades 16, in the assembled position.

Referring still to Figures 1 through 4 and in particular Figure 1, the housing 12 is formed of a relatively rigid nonelastomeric thermoplastic material such as Noryl[®] PX-5511, available from GE Plastics, which suitably bonds with a pair of skin-tensioning portions 22 (which can also be referred to as a cap surface) and 23 of elastomeric material, which may be co-molded (also referred to as two material injection molding) with the basic portion of the housing 12, and which can be molded from an elastomeric plastic, such as Kraiburg[®] PC 5GIL, available from the Kraiburg Company (Germany), which suitably bonds with the housing 12. The skin-tensioning portions can also be molded from elastomeric materials as is described in detail in U.S. Patent No. 5,249,361. The skin-tensioning portions 22 and 23 are effective in exerting traction forces on the skin and in simultaneously tensioning the skin on both sides of the blades during the shaving process. The skin-tensioning portions have a plurality of cup-shaped openings 25 formed therein, which are also effective in holding and distributing water and shave gel over large surfaces during wet shaving.

The housing 12 is of substantially rectangular shape in plan form having arcuate end portions, and slots 24 are provided inwardly of each of the end portions for receiving ends of the blades 16 in the assembly of the razor system 10. The blades 16 are manufactured of a stainless-steel material as is well-known in the art, and when received in the slots 24 are biased upwardly by a plurality of spring-biasing elements 26 formed on the housing 12.

A guard member 28 extends parallel to and adjacent the three blades 16 and the skin-tensioning portion 23, the guard member preferably, but not necessarily, being molded as a portion of the housing 12, or in the alternative co-molded with the housing 12 out of a plastic having different characteristics than those of the housing, or may be a separate element rigidly affixed to the housing. Guard member 28 may also include a guard member movable relative to housing 12 as in U.S. Patent No. 5,063,667 (Jacobson), or the guard member 28 may also include a resilient guard member portion of the type shown in U.S. Patent No. 5,191,712 (Crook), or U.S. Patent No. 5,661,907 (Aprille).

The shaving aid strip 18 is located in the cap region and is a strip-shaped member generally of the type comprising a mixture of a hydrophobic material and a water-leachable hydrophilic polymer material as is described in U.S. Patents Nos. 5,113,585 and 5,454,164. The shaving strip aid 18 is received in a slot 29 in the housing 12 and is positioned parallel with the

blades 16 and the guard member 28. The shaving aid strip 18 may be held in place through an interference fit with the slot 29, or may be fastened by adhesive or mechanical means.

The retainer clip 20, which is shown in detail at Figure 12, is generally manufactured of an aluminum material having a coating, and is of similar shape in plan form as the elongated housing 12, being of rectangular form having arcuate end portions. It is preferred that the coating be on the outer surface and that the clip 20 be uncoated on its underside to provide galvanic protection for the blades. It is preferred that the coating is a polymer coating formed from materials such as polyester, epoxy or two-layer vinyl and polyester systems. The coating can also be an anodized coating. Because the retainer clip 20 surrounds the housing on upper and side surfaces contacting the skin, it is desirable that the coating provide low friction characteristics. As shown in Figure 12, the retainer clip 20 has four datum surfaces 27 formed such as by coining on the underside thereof at the rim 30, and the elongated housing has four mating datum surfaces 33 which are provided in a groove 31 formed on the lip 32 at the periphery of the housing 12. In the assembled condition the lower edge 30 is received in the groove 31 and the datum surfaces 27 and 33 matingly contact along a predetermined plane. A pair of tabs 34, which provide a latch system for maintaining each of the datum surfaces 27 in contact with a respective datum surface 33 as will be explained below, extend downwardly through a pair of openings 36 and are bent inwardly, one toward the other, against the underside of the housing 12, to assemble the retainer ring onto the housing 12. If the cartridge is abusively dropped and impacts its top surface, the retainer clip 20 would be urged simply into its seat between the datum surfaces 27 and 33 in groove 31, and the load dispersed into the housing 12. Thus, the load is not transmitted to the tabs 34, allowing the tabs 34 to be relatively small.

As will be noted in Figures 5 and 6, the housing upper surface at the skin-tensioning portions 22 and 23 and retainer clip 20 are arcuate in the transverse direction. This provides good skin contour following, especially in an underarm region, and imparts stiffness to the retainer clip 20 to better hold on to the housing 12.

As will be noted from Figures 5, 6 and 12, the retainer clip 20 further has a linear coined portion forming a recess which serves as a datum surface 50 for contacting the upper ends of the blades 16, limiting upward movement of the blades relative to the blade guard 28. The datum surfaces 27 and 33 provide the mating surfaces between the retainer clip 20 and the housing 12 at the rim 30, and establish a plane which is parallel to, and at an established distance from, the recess 50, thereby controlling the extent of upward movement of the blades relative to the housing 12 and the blade guard 28.

The interconnect member 14 generally comprises a unitary body 38 having a pair of

opposed arms 39 and 40 extending outwardly from the body 38 which are employed to connect the housing 12 onto a razor handle (not shown). The interconnect member 14 is generally manufactured of a semi-rigid plastic material, such as Noryl® PX-1265, available from GE Plastics, for suitable strength, and has a pair of slotted V-shaped openings 42 and 44 formed in the upper portion of the body 38. The slotted openings are formed of a configuration to allow movement of the arms 39 and 40 towards one another to the extent that they may be received in the housing 12 during the assembly of the interconnect member onto the housing during manufacture, and thereafter form a permanent connection not intended to be removed.

The lower handle receiving portion of the interconnect member 14 may take various forms depending upon the use of the safety razor system 10. That is, when the razor system is employed as a replaceable cartridge, the structure of the body will be provided with structure as shown, formed to receive a razor handle, such as that described in PCT Patent Application WO97/37819 or in U.S. Patent No. 5,956,851 referred to above. However, the razor system may be employed with a handle of a different type, such as the rigid attachment of the body 38 onto, or in unitary formation with, a handle when the system is employed in a discardable razor. In any employment of the safety razor system 10, however, it should be understood that the housing 12 is supported on the interconnect member 14 such that pivotable movement is provided between the housing and the interconnect member during the shaving operation. A spring mounted on the handle and extending through the interconnect member 14 provides a return bias force assisting pivotal movement, as described in WO97/37819.

In the design of the present safety razor system 10 it is necessary that the plurality of blades 16 maintain their cutting edges in proper orientation, one relative to the other, during the shaving process, and that the blades be limited in their upward movement such that they do not extend upwardly beyond the designed limit, relative to the guard member 28. Maintaining proper position of the blades 16 relative to the guard 28 is essential to ensure integrity of the structure and proper operation of the razor system during its useful lifetime.

As referred to above, in order to maintain the datum surfaces 50 at the proper predetermined position, a latch system is provided to ensure maintaining contact between each of the datum surfaces 27 and its respective datum surface 33.

As shown in Figures 5 and 6, and Figure 12, taken in conjunction with Figures 1 through 4, in addition to the engagement of the tabs 34 with the housing 12, the latch system provides that the retainer clip 20 can be provided with four coined inwardly extending latch portions 46 having upwardly facing surfaces 47 (two of which are shown in Figures 6 and 12) which are spaced symmetrically about the edge 30 of the retainer clip. Four mating downwardly facing detent surfaces 48, shown in Figures 1, 4, and 5, are formed in the inner wall of the groove 31

of the housing 12. The retainer clip 20 is constructed such that inwardly extending latch portions 46 of the edge 30 extend inwardly of the inner wall of the groove 31, which results in the surfaces 47 and 48 being snapped into contact when the retainer clip 20 is received onto the housing 12. Since latching surface 47, 48 can contribute to restraining the clip 20 from separating from housing 12, the tabs 34 that are bent into slots 36 can, therefore, be made relatively small.

While the present latch system, as shown, employs latch elements including both the pair of tabs 34 mating with the bottom surface of the housing 12 and the latching surfaces 47 and 48, it should be understood that a more simple latch system may be employed, as is presently preferred, by utilizing only the two tabs 34 which are assembled as described above, when it is deemed that only that portion of the system is needed. That is, the latch portions 46 may be eliminated from the retainer clip 20 and the latching surfaces 47 and 48 deleted from the housing 12 when only the tabs 34 are needed to maintain the datum surfaces 27 and 33 in continuous contact.

Referring now to Figures 3 and 7 through 11, the bottom surface of the housing 12, as shown in Figure 3, has a pair of bosses 52 and 53 formed thereon, and a pair of recesses 55 and 56 are formed in the wall structure of the housing for receiving the arms 39 and 40. As best shown in Figure 8, the slots 42 and 44 combined with the choice of a flexible plastic material as set forth above, allow for simple assembly, one time only during manufacturing, of the interconnect member 14 onto the housing 12 through insertion of the arms 39 and 40 into the respective cavities 55 and 56 when the arms are compressed inwardly towards one another, and allowed to assume the position shown in Figure 8 upon release. This allows assembly and retention of pivotably interconnected members retained securely as an assembly unit, and thereafter the blades can be inserted and retained by the retainer clip 20.

However, this simple form of assembly requires that the arms 39 and 40 be relatively small and, therefore, prohibits the provision of large bearing surfaces within the cavity 55 or 56, as best shown in Figures 9 and 10 taken in conjunction with Figure 8. As upward forces tending to pull the housing 12 away from the interconnect member 14 are generally small, either during the shaving process or in the event of dropping the razor system 10 onto a hard surface, the present structure provides a pair of coaxial first bearing surfaces 58 and 59, at either side of the interconnect member 14, lying wholly within cavity 55 or 56 which absorb only upward forces, and second bearing surfaces 60 and 61 lying outside of the cavity which absorb the greater downward or compressive forces. That is, the greater force produced during the shaving process, or due to dropping of the razor system 10, is absorbed by the larger bearing surfaces 60 and 61 which are not so limited as to surface area as the bearing surfaces

58 and 59 which of necessity are smaller due to their location within the cavities 55 and 56. On the interconnect member 14, the first bearing surfaces 58 are downwardly facing and the second bearing surfaces 61 are upwardly facing.

As shown in Figure 11, with the structural location of the bearings 58, 59, 60 and 61, as described above, the elongated housing 12 is free to rotate about a virtual axis which is located substantially in the vicinity of the guard member 28. It is presently preferred that this virtual pivot axis is in front of the cutting edge of the primary blade and in proximity to or below a plane tangent to the leading and trailing blade cutting edges, as observed in an unloaded state free of cutting forces.

From the above it should be evident that the razor system 10 includes structure which is simple to manufacture and assemble, and which will withstand the rigors of inadvertent dropping or other mishaps which might tend to misalign the blades 16 or cause the interconnect member to become dislodged from the housing 12. By providing a latch system as set forth above, the retainer ring 20 is fixed within the lip 32 in a manner to retain the blades 16 in the proper position relative to the guard member 28, due to contact between the datum surfaces 27, 33 and 50. The employment of a unitary member having arcuate ends as in the construction of the retainer ring 18 serves to provide rigidity to the structure. Further, the providing of a retainer clip 20, manufactured of aluminum material, provides a sacrificial metal source when combined with the stainless steel blades, thus inhibiting corrosion of the steel blades. The upper exposed surface of the clip 20 can be coated to provide desirable surface features for aesthetics, or can be coated with a low friction coating.

The use of the retainer clip 20 allows a more ruggedized, permanent connection of the blade housing 12 to the interconnect member, whereby the assembly is connected together once and then it resists disconnecting, such as in dropping. The retainer clip 20 is dedicated to permanently securing the parts to the blade housing, and the arms on the interconnect are strengthened to include two pairs of inboard and outboard bearing surfaces dedicated to resisting separation by impact loads.

Further, the assembly of the interconnect, member 14 to the housing 12 is of simple construction, and the location of the coaxial bearing surfaces produces a pair of connected members which are capable of maintaining integrity of the structure during extreme usage. The retainer clip 20 does not secure the pivotably interconnected member 14 to blade housing 12, so the bearing area can be made larger to absorb the load of abusive dropping of a relatively large cartridge.

CLAIMS

1. A shaving unit comprising an elongated housing member having at least one shaving
5 blade disposed thereon extending lengthwise and upwardly from an upper surface of said
housing member;
wall structure formed on said housing forming a pair of cavities, one disposed adjacent
a lower surface of each end of said housing;
an interconnect portion adapted to establish a pivotal connection between said housing
10 and a razor handle;
said interconnect portion comprising a unitary body having a pair of opposed arms at
either side thereof extending outwardly lengthwise of said housing; and
a pair of first and second opposed coaxial bearing surfaces disposed at each side of said
interconnect body member for contacting said housing;
15 each of said first bearing surfaces being disposed on a respective arm and received in
a respective said cavity and each of said second bearing surfaces being disposed on said body
inwardly of said first bearing surfaces;
each said first bearing surface being located for contacting a portion of said wall
structure and each said second bearing surface being located for contact with an under surface
20 of said housing.
2. A shaving unit as set forth in claim 1 wherein each said second bearing surface is of a
greater area than said first bearing surface.
- 25 3. A shaving unit as set forth in claim 1 wherein each said first bearing surface lies entirely
within a respective cavity.
4. A shaving unit as set forth in claim 1 wherein each said second bearing surface lies
entirely outside of a said cavity.
30
5. A shaving unit as set forth in claim 1 wherein said interconnect portion body has at least
one slot formed therein between said arms to facilitate movement of said arms one toward the
other by flexure of said body.
- 35 6. A shaving unit as set forth in claim 1 wherein said interconnect portion body comprises

handle connecting structure for attaching a razor handle, whereby said shaving unit is configured as a separable cartridge.

5 7. A shaving unit as set forth in claim 1 wherein said housing is substantially of rectangular shape in plan form having arcuate end portions.

8. A shaving unit as set forth in claim 1 wherein said at least one shaving blade comprises a plurality of blades in spaced relation, each extending lengthwise of said housing.

10 9. A shaving unit as set forth in claim 8 wherein said plurality of shaving blades are three in number.

15 10. A shaving unit as set forth in claim 1 wherein said housing comprises an upwardly extending lip forming an upwardly opening groove disposed about the periphery of said housing and further comprising a retainer member disposed in said groove on an upper surface of said housing and contacting opposite ends of said at least one shaving blade.

20 11. A shaving unit as set forth in claim 8 further comprising a retainer member disposed on an upper surface of said housing and contacting opposite ends of each of said plurality of blades and wherein said retainer member has a pair of datum surfaces formed therein, each of said datum surfaces having a downwardly facing planar surface for contacting respective ends of said plurality of shaving blades.

25 12. A shaving unit as set forth in claim 8 which further includes a guard bar disposed on said housing, said guard bar extending lengthwise of said housing and projecting upwardly in spaced relation with and parallel to said plurality of shaving blades.

30 13. A shaving unit as set forth in claim 8 wherein each of said plurality of shaving blades is resiliently biased toward said retainer member.

35 14. A shaving unit as set forth in claim 1 further comprising a retainer member disposed about the periphery of said housing on an upper surface thereof and contacting opposite ends of said at least one shaving blade, and a latch member disposed on said retainer member adapted to attach to a mating portion of said housing member to restrain said retainer member against upward movement relative to said housing, whereby movement of each cutting edge

of each said shaving blade in the upward direction is restricted by contact with said retainer member.

5 15. A shaving unit as set forth in claim 14 wherein said latch on said retainer member comprises a plurality of tab elements and said mating portion of said housing comprises a plurality of slots, whereby said tabs are interlocked into said slots for positioning and supporting said retainer member relative to said housing.

10 16. A shaving unit as set forth in claim 1 wherein said retainer member is formed of sheet metal material.

17. A shaving unit as set forth in claim 8 wherein said plurality of blades are stainless steel and said retainer member comprises aluminum.

15 18. A shaving unit as set forth in claim 1 which further includes a pair of elastomeric surfaces, one disposed on either side of said plurality of blades for tensioning the skin during the shaving process.

20 19. A shaving unit comprising an elongated housing member having at least one shaving blade disposed thereon extending lengthwise and upwardly from an upper surface of said housing member;

wall structure formed on said housing forming a pair of cavities (55,56), one disposed adjacent a lower surface of each end of said housing;

25 an interconnect portion (14) adapted to establish a pivotal connection between said housing and a razor handle;

said interconnect portion comprising a unitary body having a pair of opposed arms (39,40) at either side thereof extending outwardly lengthwise of said housing; and

a pair of first (58) and second (61) opposed mutually coaxial bearing surfaces disposed at each side of said interconnect body member for contacting said housing;

30 each of said first bearing surfaces (58,58) being disposed on a respective arm and received in a respective said cavity (55,56) and each of said second bearing surfaces (61,61) being disposed on said body inwardly of said first bearing surfaces and facing in a direction opposite that of said first bearing surfaces;

35 each said first bearing surface being located for contacting a portion of said wall

structure (59,59) and each said second bearing surface being located for contact with an under surface (60,60) of said housing.

- 5 20. A shaving unit as set forth in claim 19, wherein each said second bearing surface is of a greater area than said first bearing surface.
21. A shaving unit as set forth in claim 19, wherein each said first bearing surface lies entirely within a respective cavity.
- 10 22. A shaving unit as set forth in claim 19, wherein each said second bearing surface lies entirely outside of a said cavity.
- 15 23. A shaving unit as set forth in claim 19, wherein said interconnect portion body has at least one slot formed therein between said arms to facilitate movement of said arms one toward the other by flexure of said body.
- 20 24. A shaving unit as set forth in claim 19, wherein said interconnect portion body comprises handle connecting structure for attaching a razor handle, whereby said shaving unit is configured as a separable cartridge.
- 25 25. A shaving unit as set forth in claim 19, wherein said housing is substantially of rectangular shape in plan form having arcuate end portions.
26. A shaving unit as set forth in claim 19, wherein said at least one shaving blade comprises a plurality of blades in spaced relation, each extending lengthwise of said housing.
27. A shaving unit as set forth in claim 26, wherein said plurality of shaving blades are three in number.
- 30 28. A shaving unit as set forth in claim 19, wherein said housing comprises an upwardly extending lip forming an upwardly opening groove disposed about the periphery of said housing and further comprising a retainer member disposed in said groove on an upper surface of said housing and contacting opposite ends of said at least one shaving blade.
- 35 29. A shaving unit as set forth in claim 26, further comprising a retainer member disposed

on an upper surface of said housing and contacting opposite ends of each of said plurality of blades and wherein said retainer member has a pair of datum surfaces formed therein, each of said datum surfaces having a downwardly facing planar surface for contacting respective ends of said plurality of shaving blades.

5

30. A shaving unit as set forth in claim 26, which further includes a guard bar disposed on said housing, said guard bar extending lengthwise of said housing and projecting upwardly in spaced relation with and parallel to said plurality of shaving blades.

10

31. A shaving unit as set forth in claim 26, wherein each of said plurality of shaving blades is resiliently biased toward said retainer member.

15

32. A shaving unit as set forth in claim 19, further comprising a retainer member disposed about the periphery of said housing on an upper surface thereof and contacting opposite ends of said at least one shaving blade, and a latch member disposed on said retainer member adapted to attach to a mating portion of said housing member to restrain said retainer member against upward movement relative to said housing, whereby movement of each cutting edge of each said shaving blade in the upward direction is restricted by contact with said retainer member.

20

33. A shaving unit as set forth in claim 32, wherein said latch on said retainer member comprises a plurality of tab elements and said mating portion of said housing comprises a plurality of slots, whereby said tabs are interlocked into said slots for positioning and supporting said retainer member relative to said housing.

25

34. A shaving unit as set forth in claim 19, wherein said retainer member is formed of sheet metal material.

30

35. A shaving unit as set forth in claim 26, wherein said plurality of blades are stainless steel and said retainer member comprises aluminum.

36. A shaving unit as set forth in claim 19, which further includes a pair of elastomeric surfaces, one disposed on either side of said plurality of blades for tensioning the skin during the shaving process.

FIG. 1

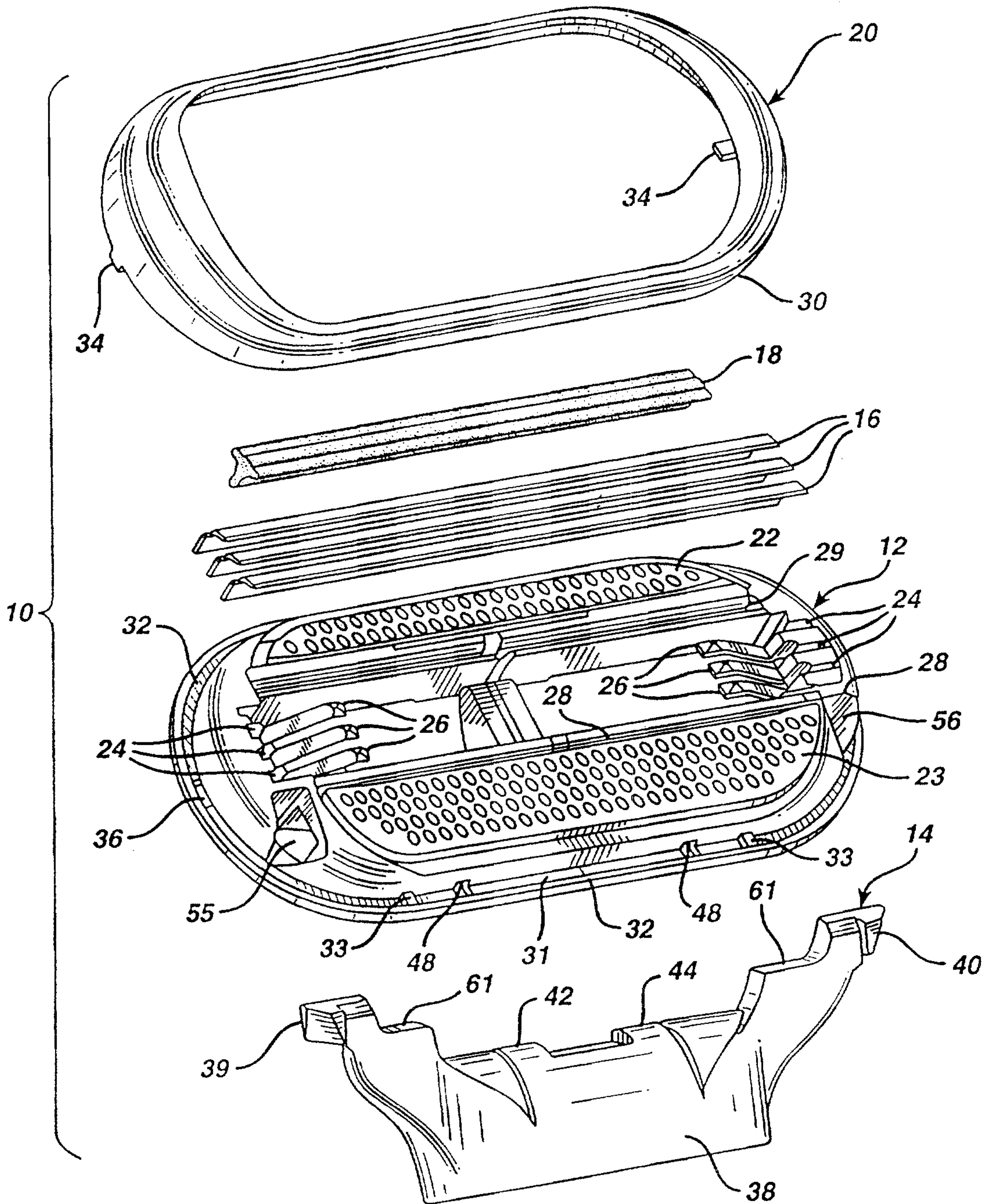


FIG. 2

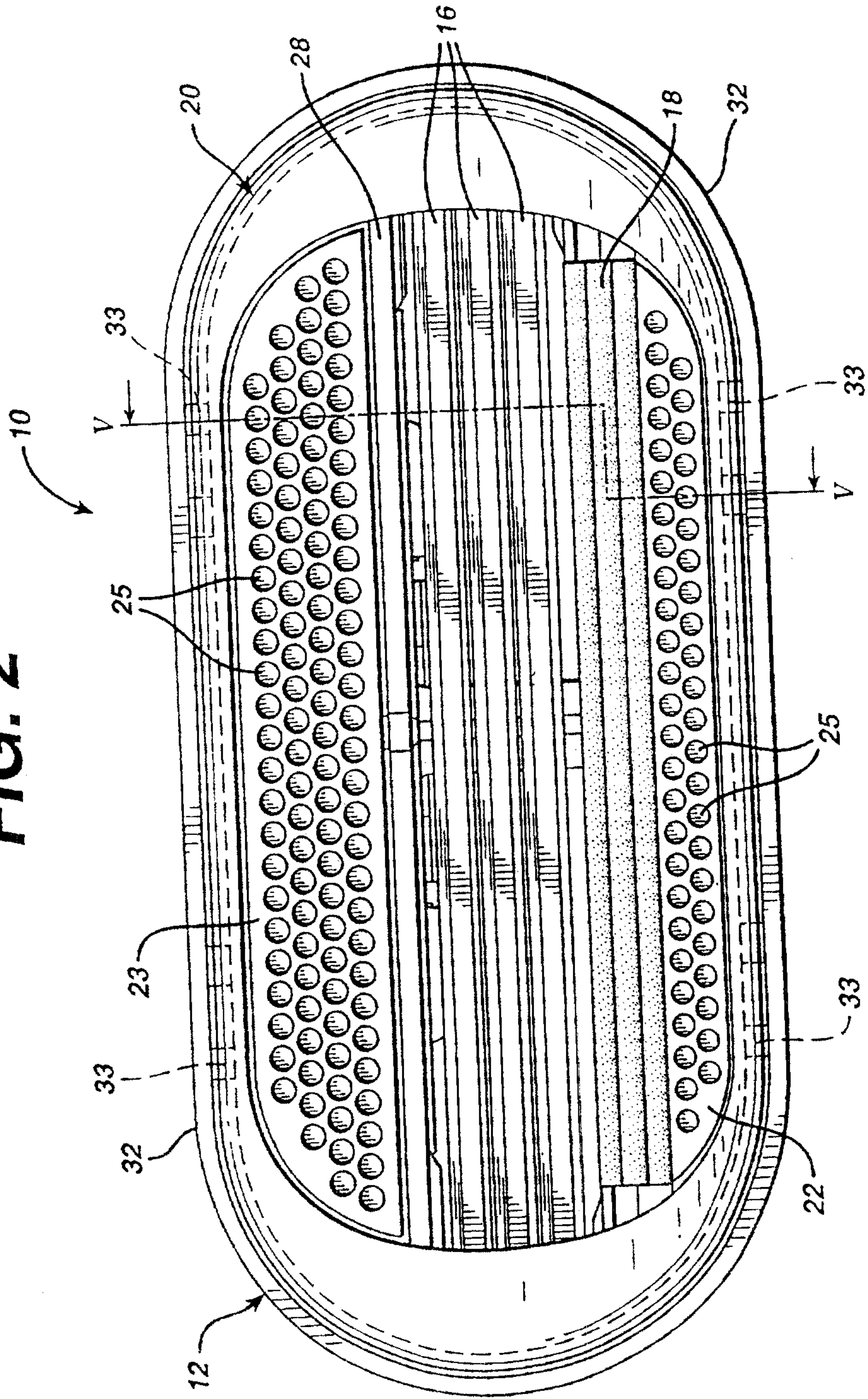


FIG. 3

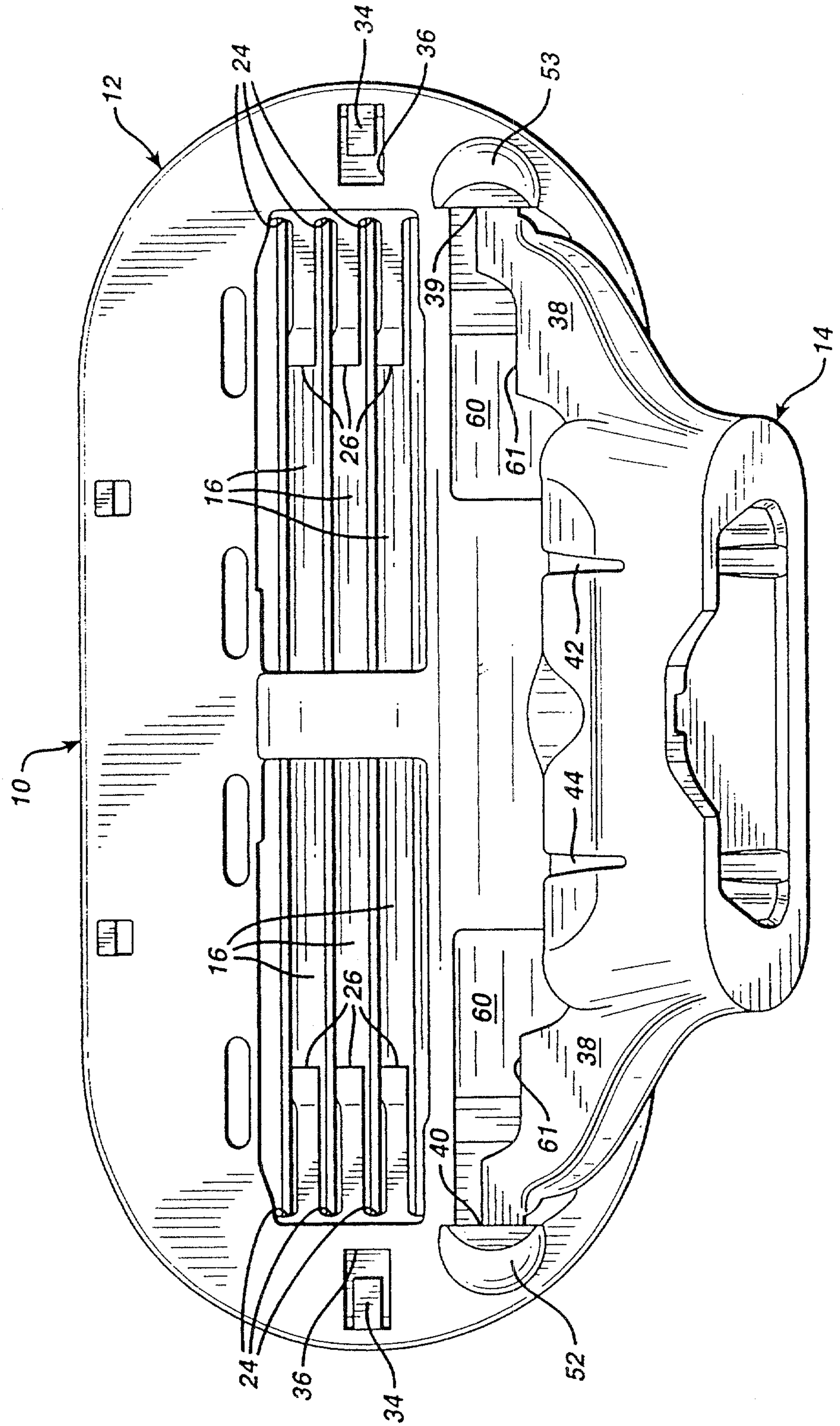
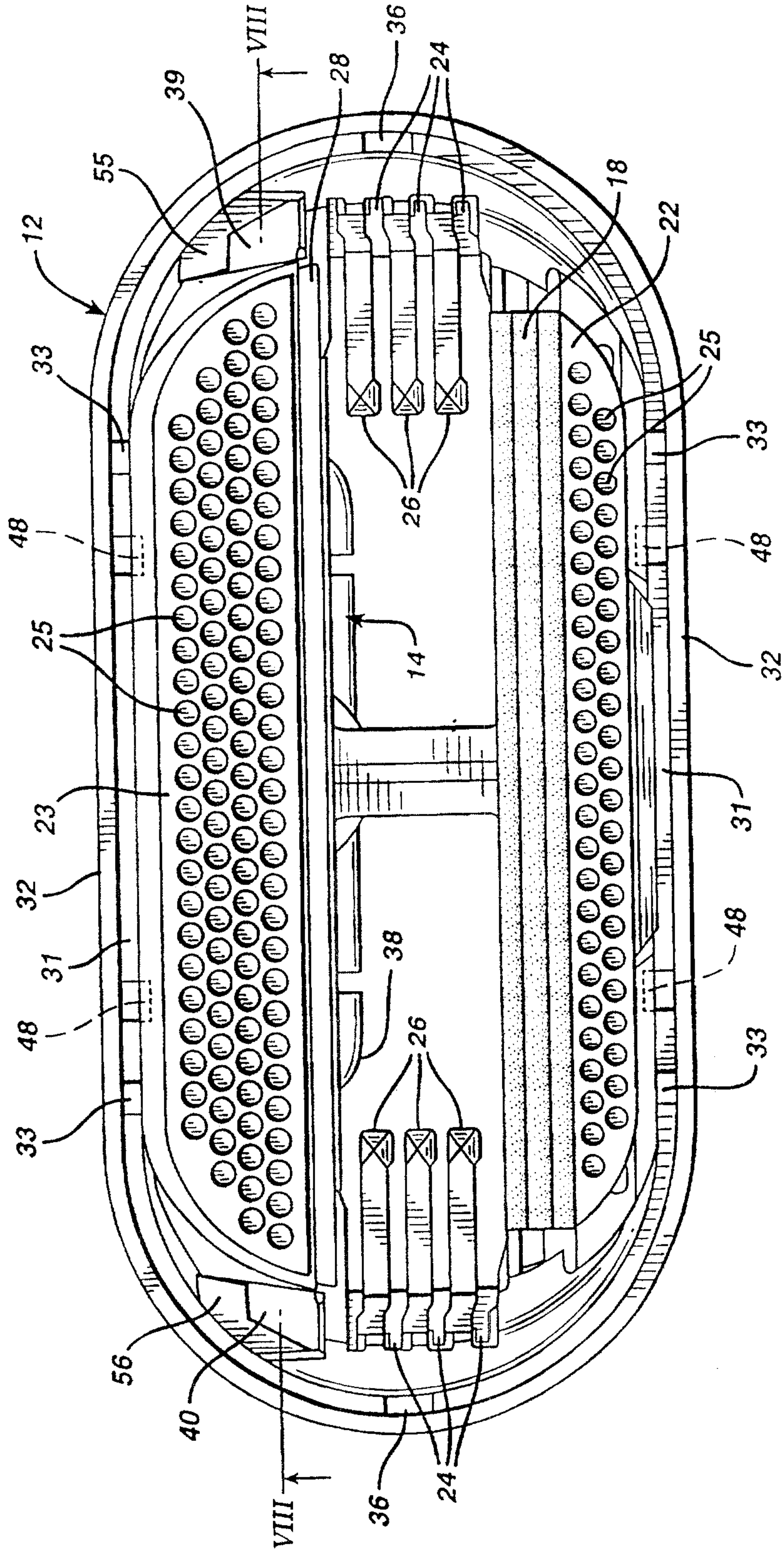


FIG. 4



5/10

FIG. 6

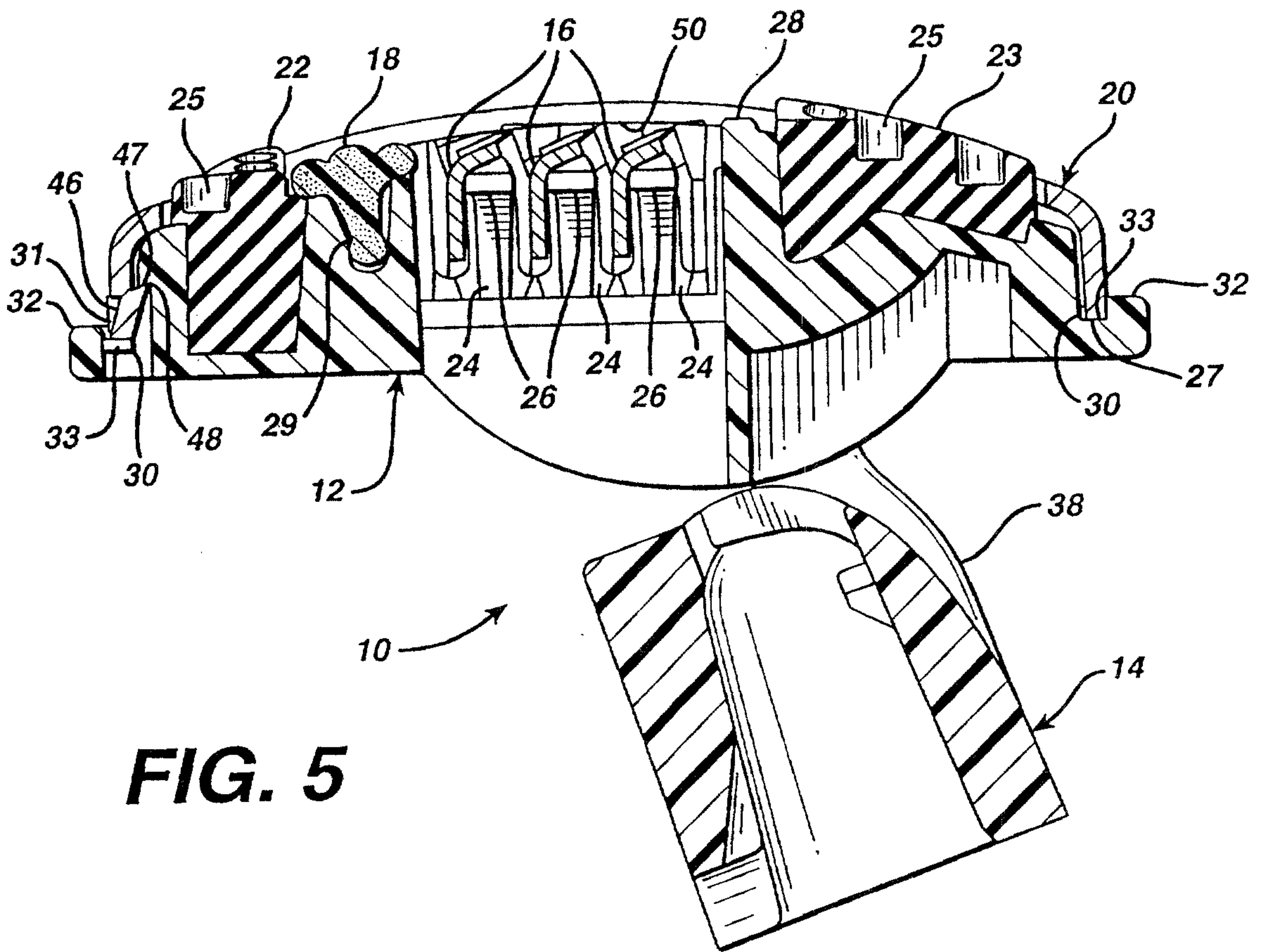
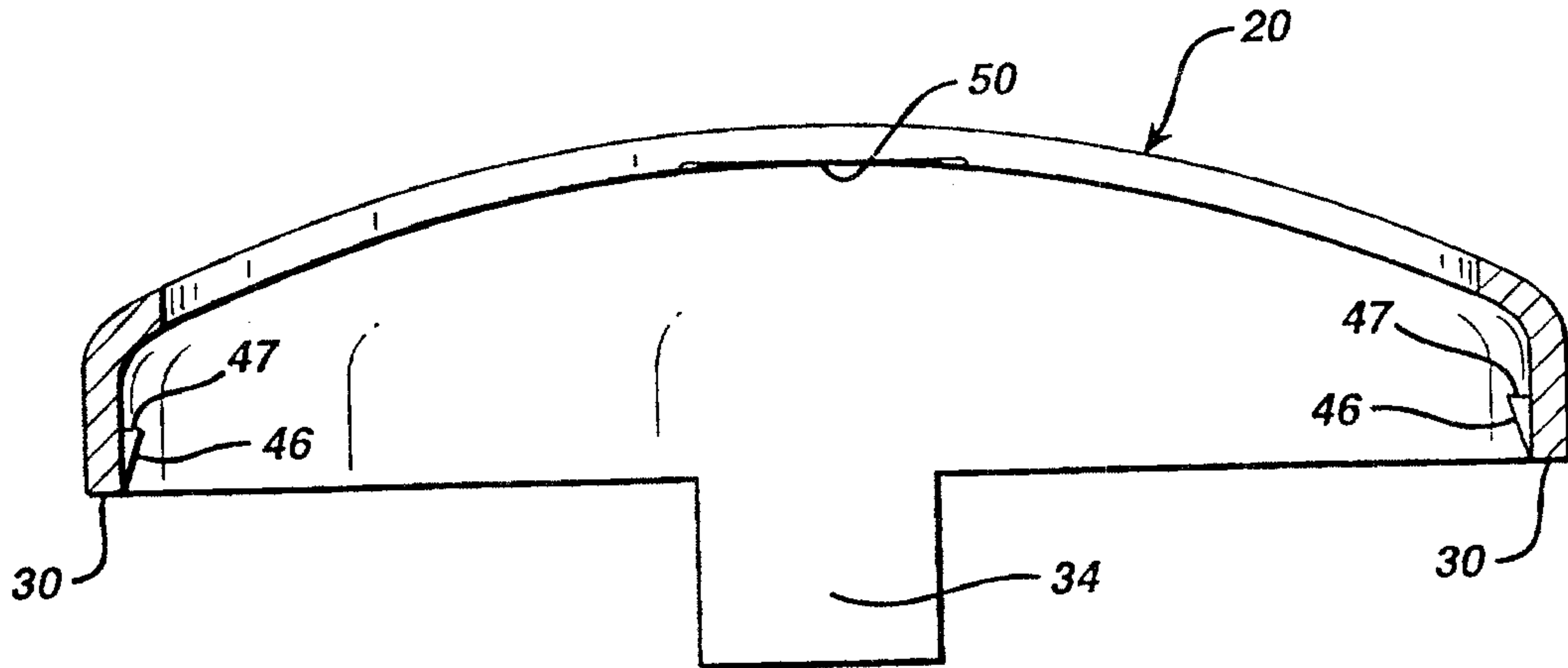


FIG. 5

FIG. 7

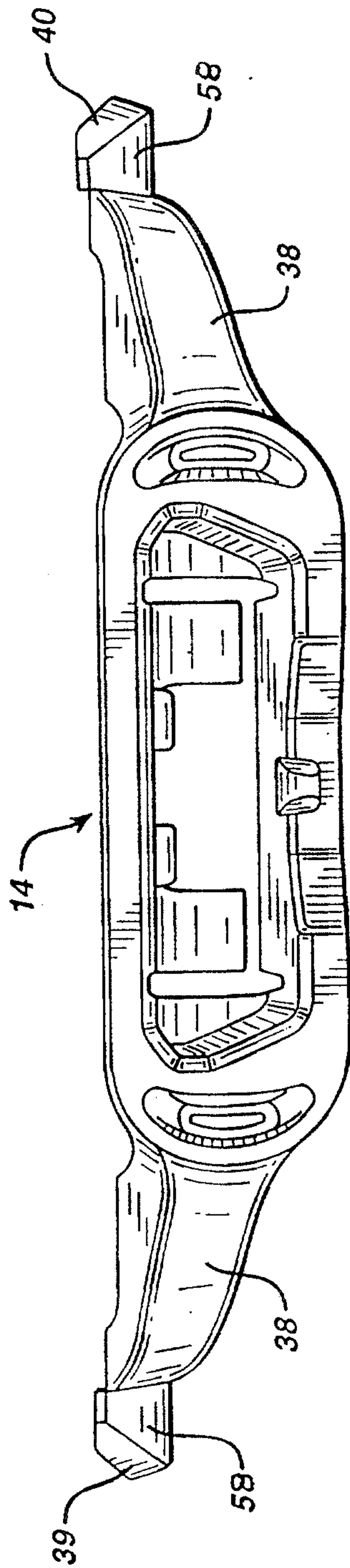


FIG. 8

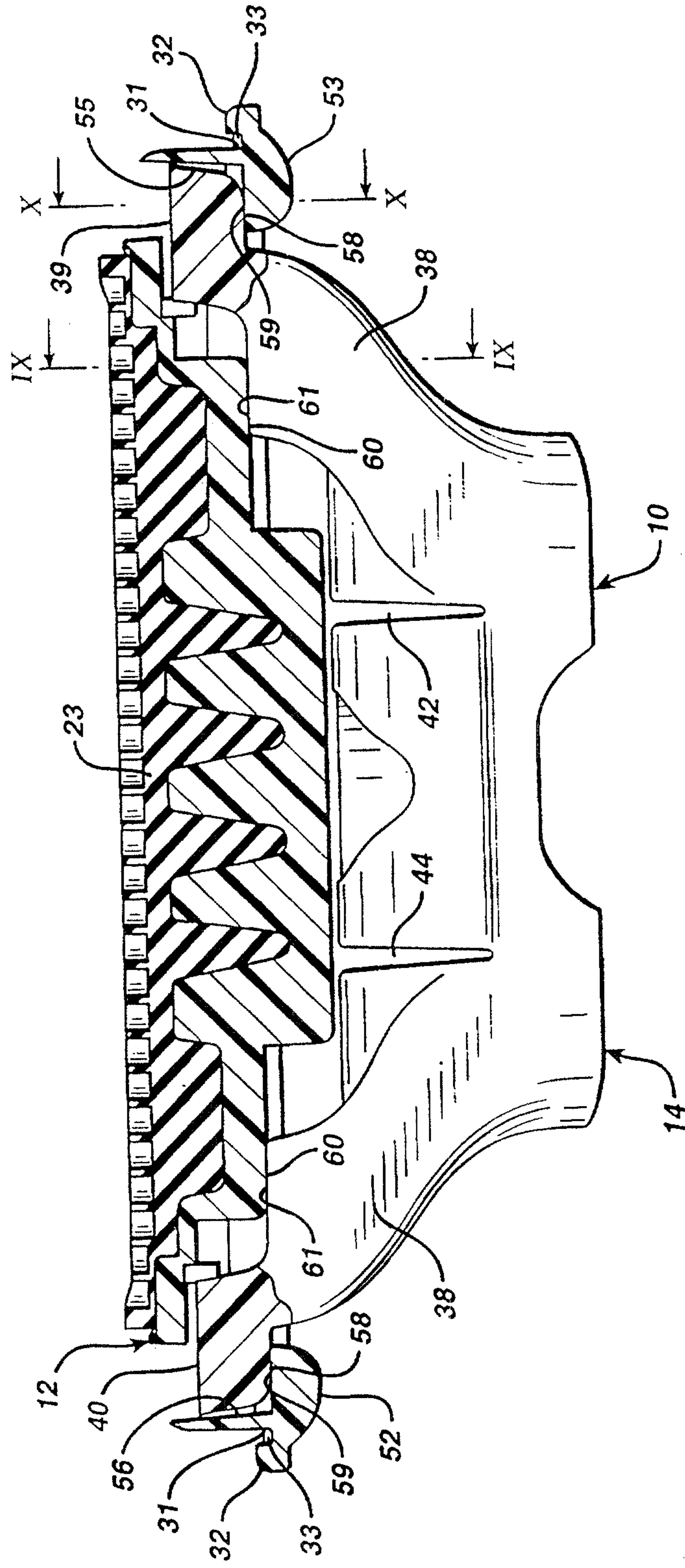


FIG. 10

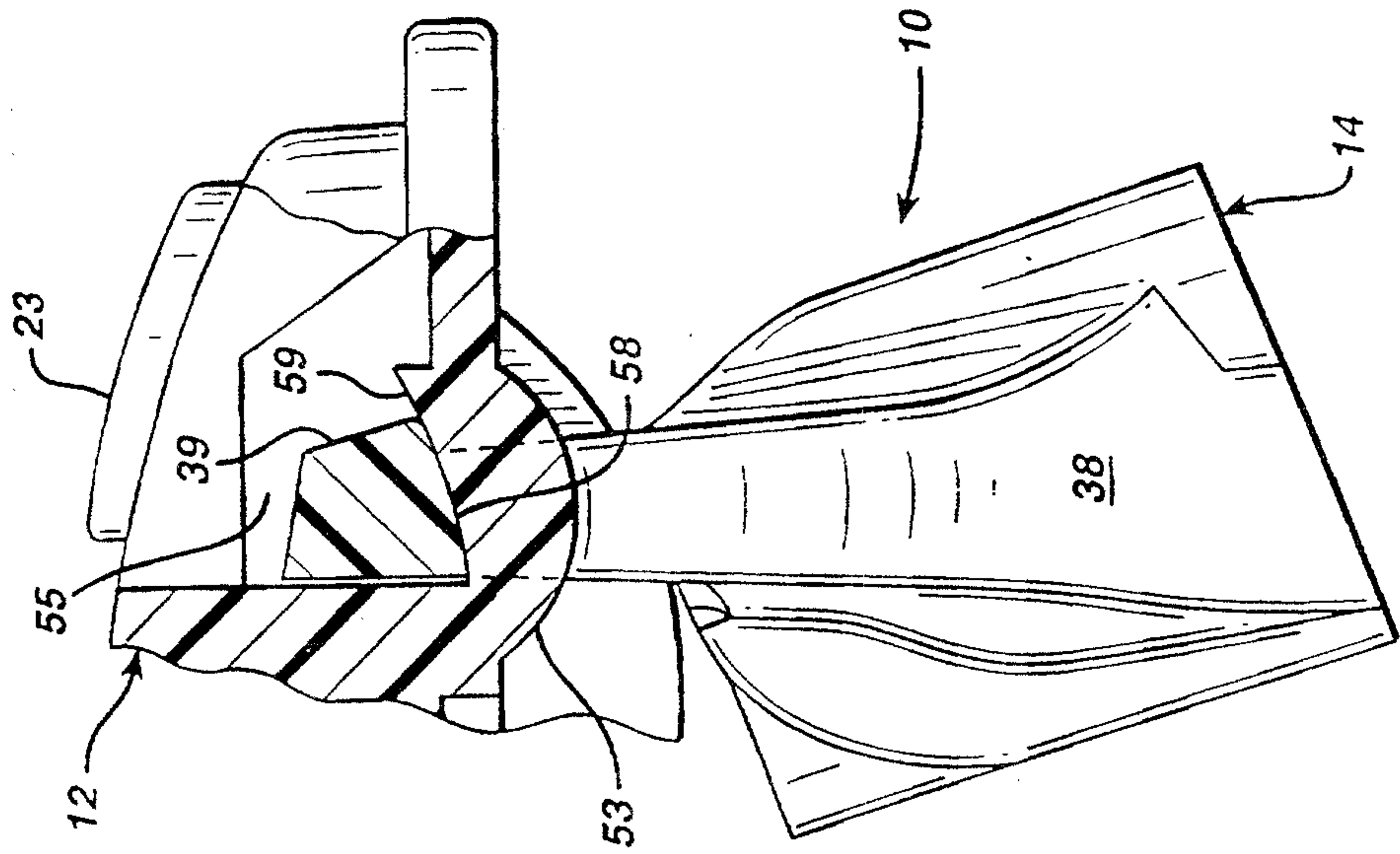


FIG. 9

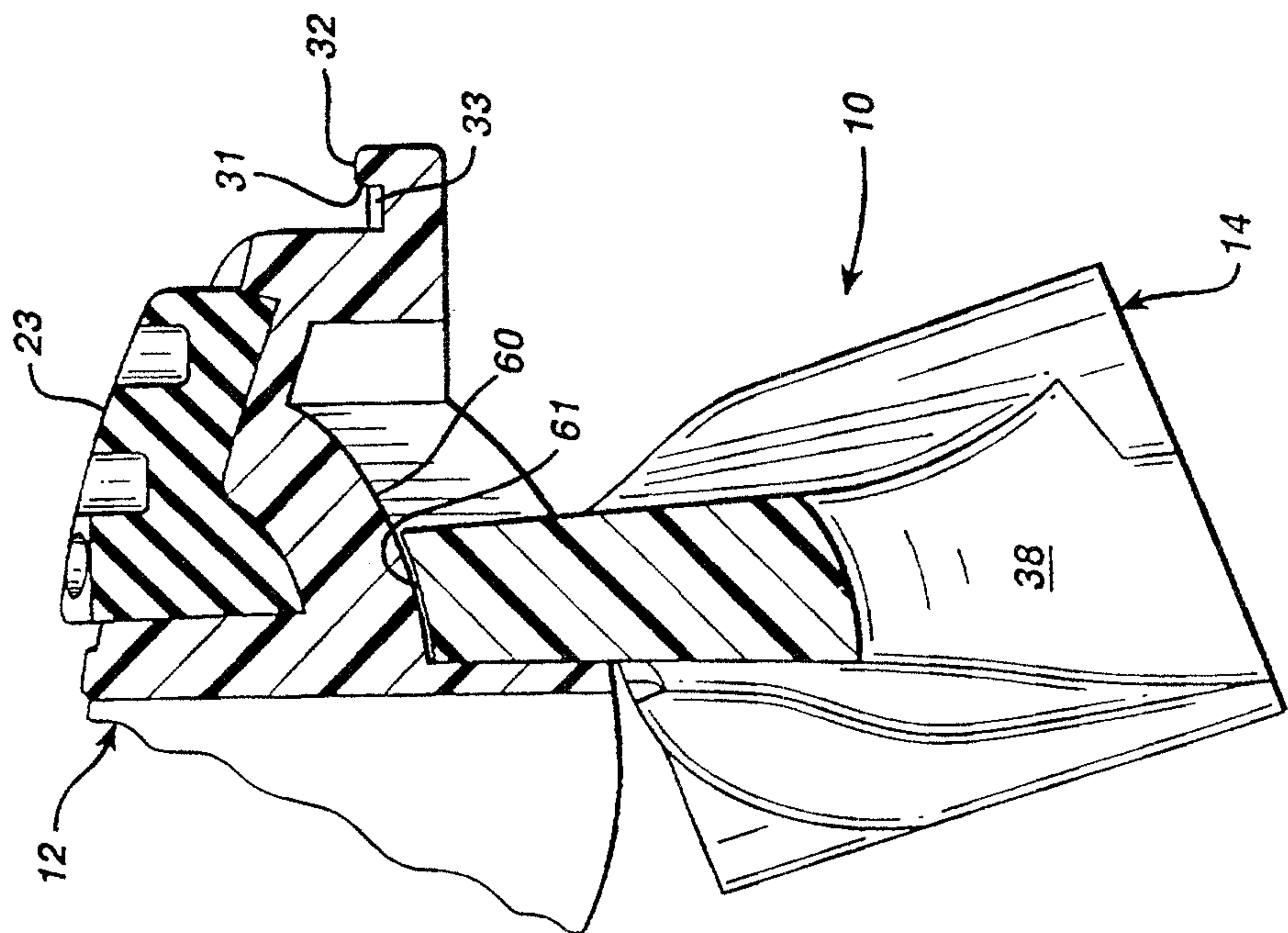


FIG. 11

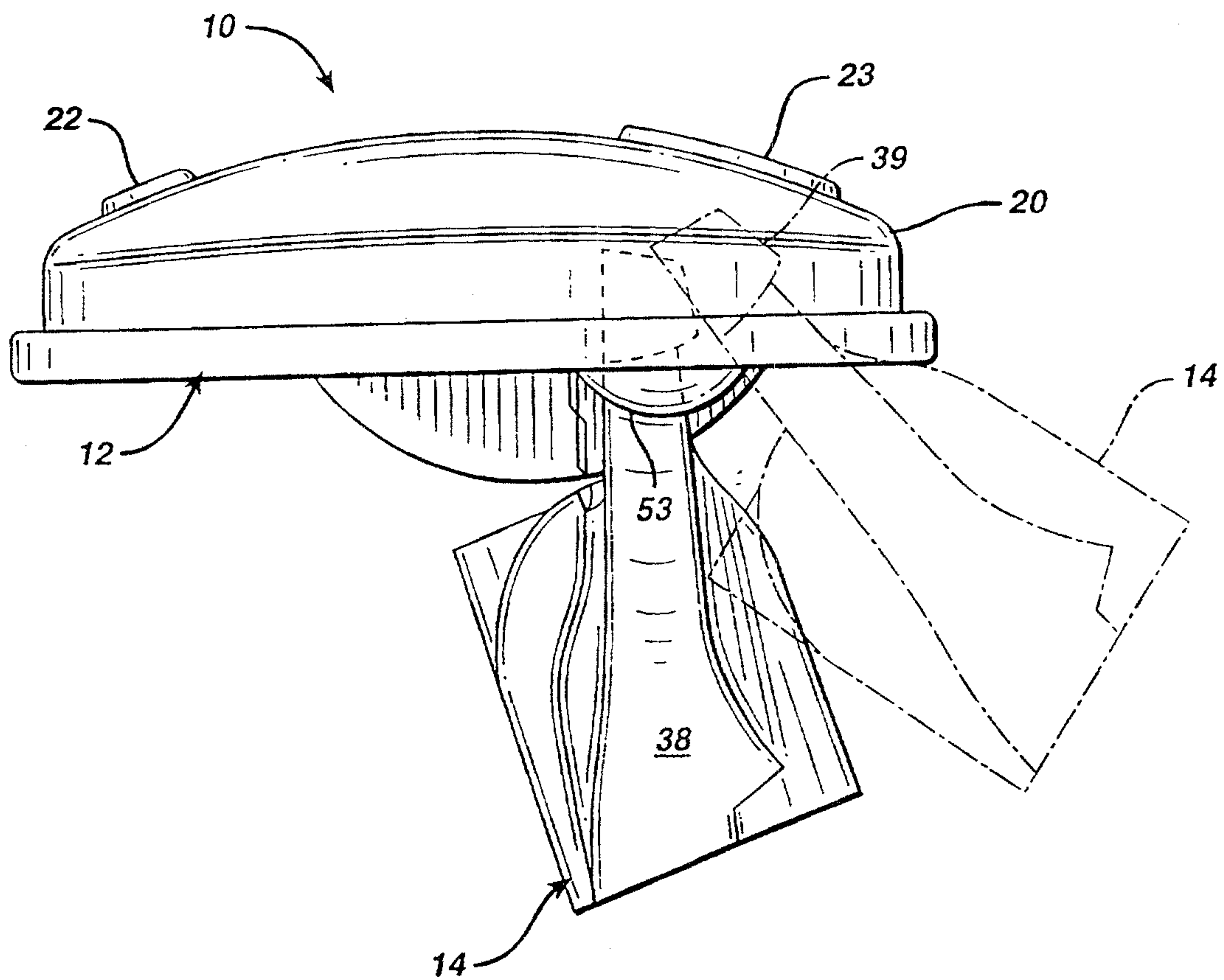


FIG. 12

