



US00D728758S

(12) **United States Design Patent**
Coronado

(10) **Patent No.:** **US D728,758 S**

(45) **Date of Patent:** **** May 5, 2015**

(54) **TOILET SEAL**

(71) Applicant: **Coflex S.A. de C.V.**, Monterrey (MX)

(72) Inventor: **Eduardo Coronado**, San Pedro Garza Garcia (MX)

(73) Assignee: **Coflex S.A. de C.V.** (MX)

(**) Term: **14 Years**

(21) Appl. No.: **29/460,129**

(22) Filed: **Jul. 8, 2013**

(51) **LOC (10) Cl.** **23-01**

(52) **U.S. Cl.**
USPC **D23/269**

(58) **Field of Classification Search**
USPC D23/249, 259, 260, 262, 266, 269;
285/15, 95, 133.21, 232, 351; 277/351,
277/352, 353, 354, 372, 504, 626
See application file for complete search history.

(56) **References Cited**

U.S. PATENT DOCUMENTS

D196,724 S *	10/1963	Davis et al.	D24/129
D227,558 S *	7/1973	Matthews et al.	D9/434
D256,046 S *	7/1980	Perrin	D23/269
D276,556 S *	11/1984	Haggard	D25/133
D359,683 S *	6/1995	Beach	D9/434
D370,629 S *	6/1996	Lynch	D9/439
D385,956 S *	11/1997	Doughty et al.	D23/259
D402,354 S *	12/1998	Strong et al.	D23/259
D427,667 S *	7/2000	Stout, Jr.	D23/262
D427,668 S *	7/2000	Stout, Jr.	D23/262
D430,482 S *	9/2000	Stout, Jr.	D8/382
D441,848 S *	5/2001	Huang	D23/261

D475,447 S *	6/2003	Stout, Jr.	D23/393
D488,859 S *	4/2004	Stout, Jr.	D23/393
D513,072 S *	12/2005	Berg	D23/386
D524,427 S *	7/2006	Wilk et al.	D23/262
D552,719 S *	10/2007	Petner et al.	D23/261
7,350,824 B2 *	4/2008	Petner et al.	285/148.23
D616,966 S *	6/2010	Angell	D23/262
D682,690 S *	5/2013	Bowes	D9/439
D687,145 S *	7/2013	Gronberg	D24/129
D695,066 S *	12/2013	Nakajima	D7/400
D715,145 S *	10/2014	Yamagishi et al.	D9/447
D717,405 S *	11/2014	Coronado	D23/259
2006/0049627 A1 *	3/2006	Happel	285/230
2008/0267709 A1 *	10/2008	Terry	405/43
2011/0181040 A1 *	7/2011	Thompson et al.	285/148.23
2014/0026305 A1 *	1/2014	Coronado	4/252.6
2014/0366256 A1 *	12/2014	Coronado	4/252.6

* cited by examiner

Primary Examiner — Karen E Kearney

Assistant Examiner — Daniel J Domino

(74) *Attorney, Agent, or Firm* — Baker & McKenzie LLP

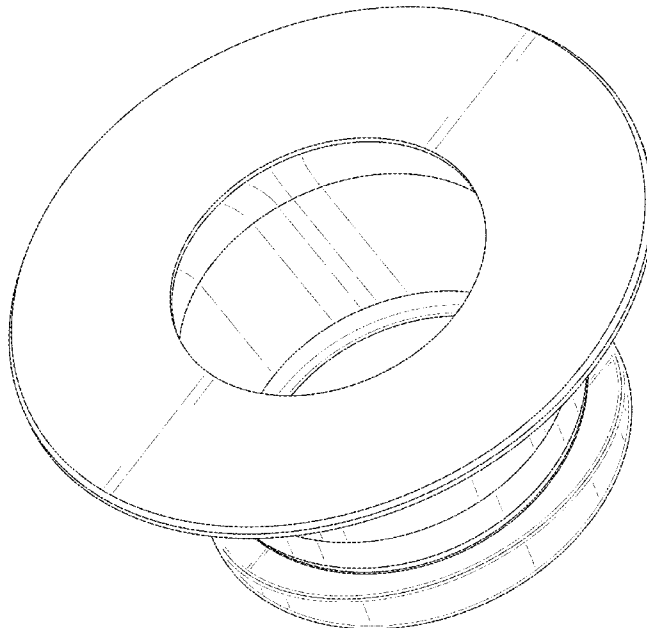
(57) **CLAIM**

The ornamental design for a toilet seal, as shown and described.

DESCRIPTION

FIG. 1 is a perspective view of a toilet seal in accordance with my design;
FIG. 2 is an elevational view of the toilet seal shown in FIG. 1;
FIG. 3 is a top view of the toilet seal shown in FIG. 1
FIG. 4 is a cross-sectional view of the toilet seal shown in FIG. 1, taken along the line 4-4 of FIG. 3; and,
FIG. 5 is a bottom view of the toilet seal shown in FIG. 1.

1 Claim, 5 Drawing Sheets



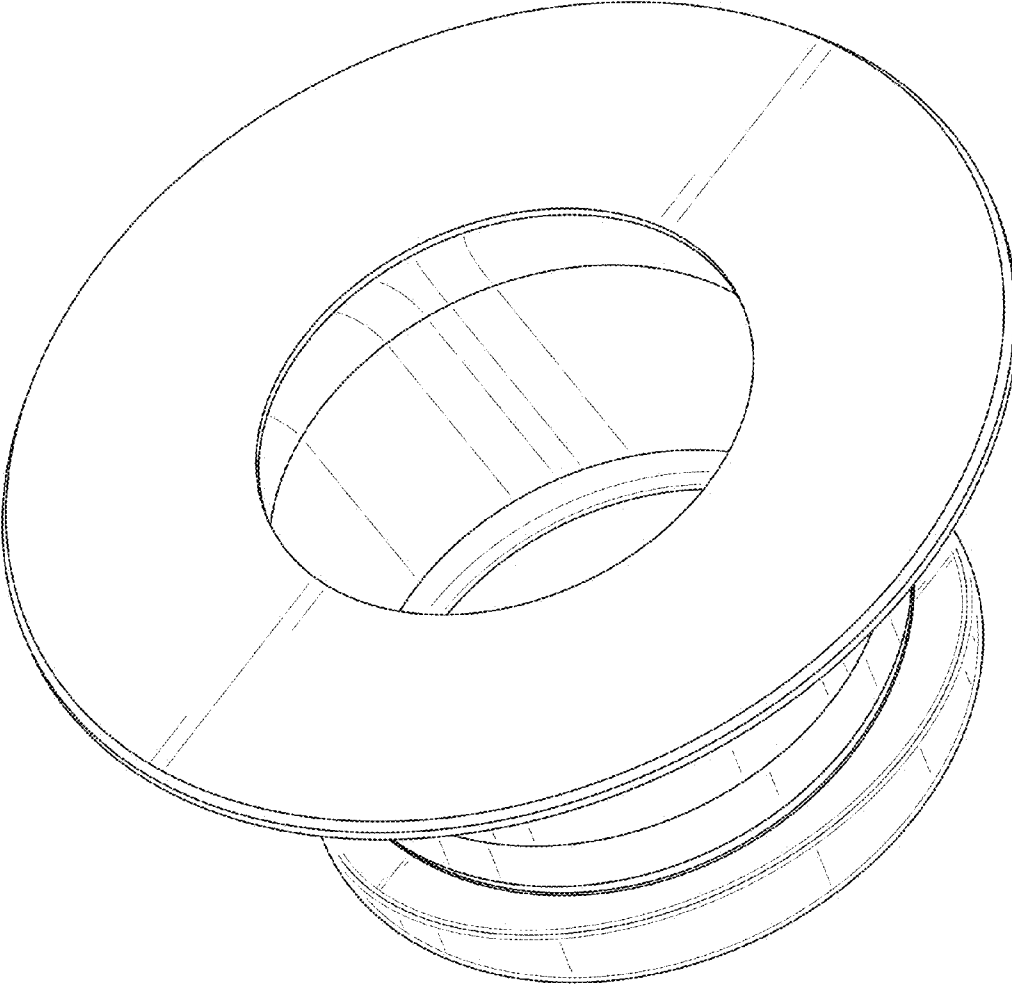


FIG. 1

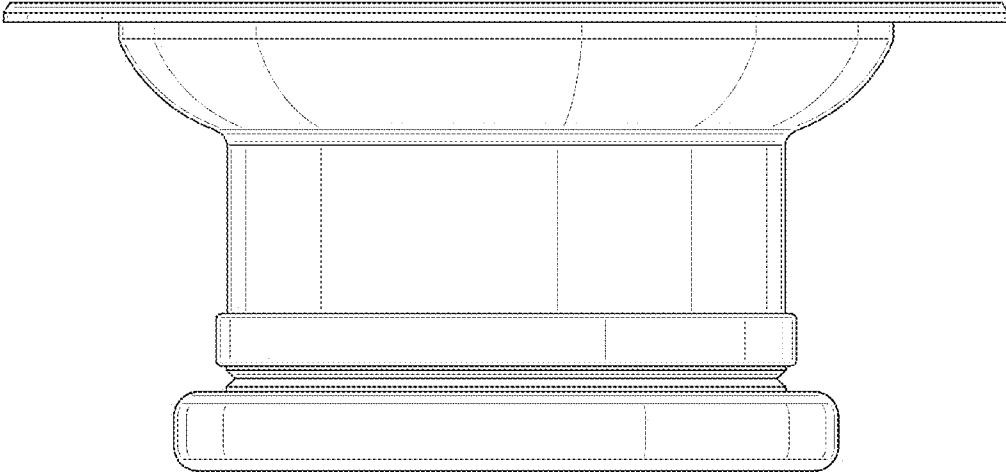


FIG. 2

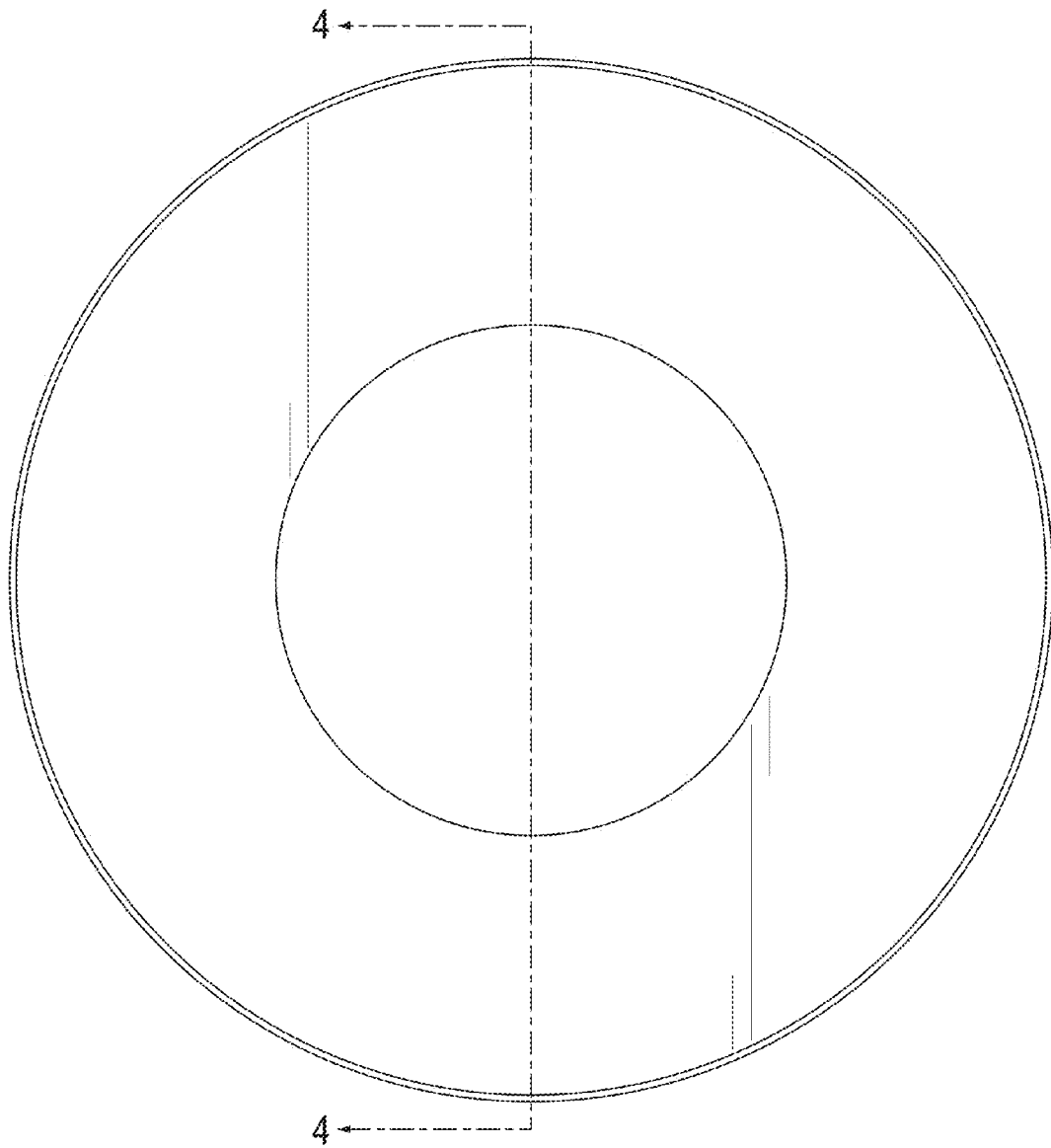


FIG. 3

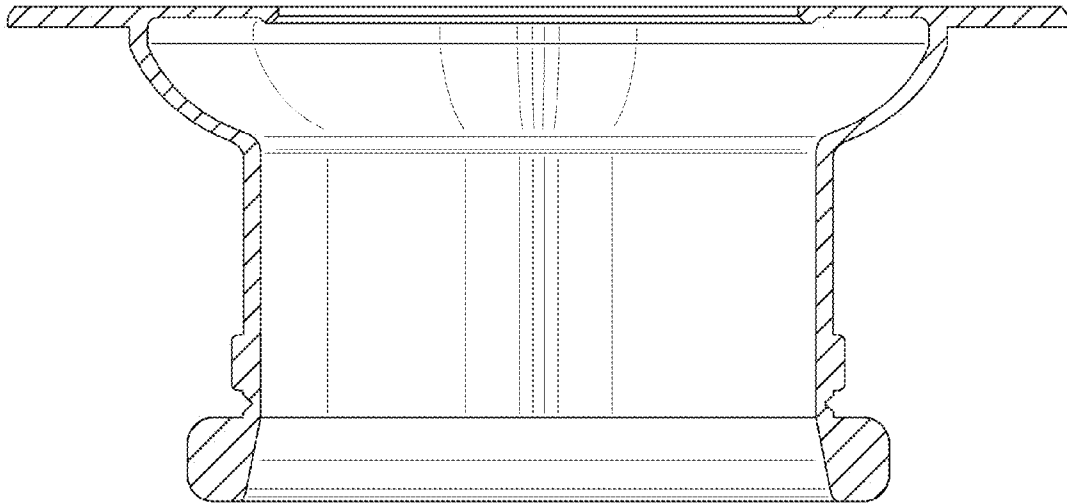


FIG. 4

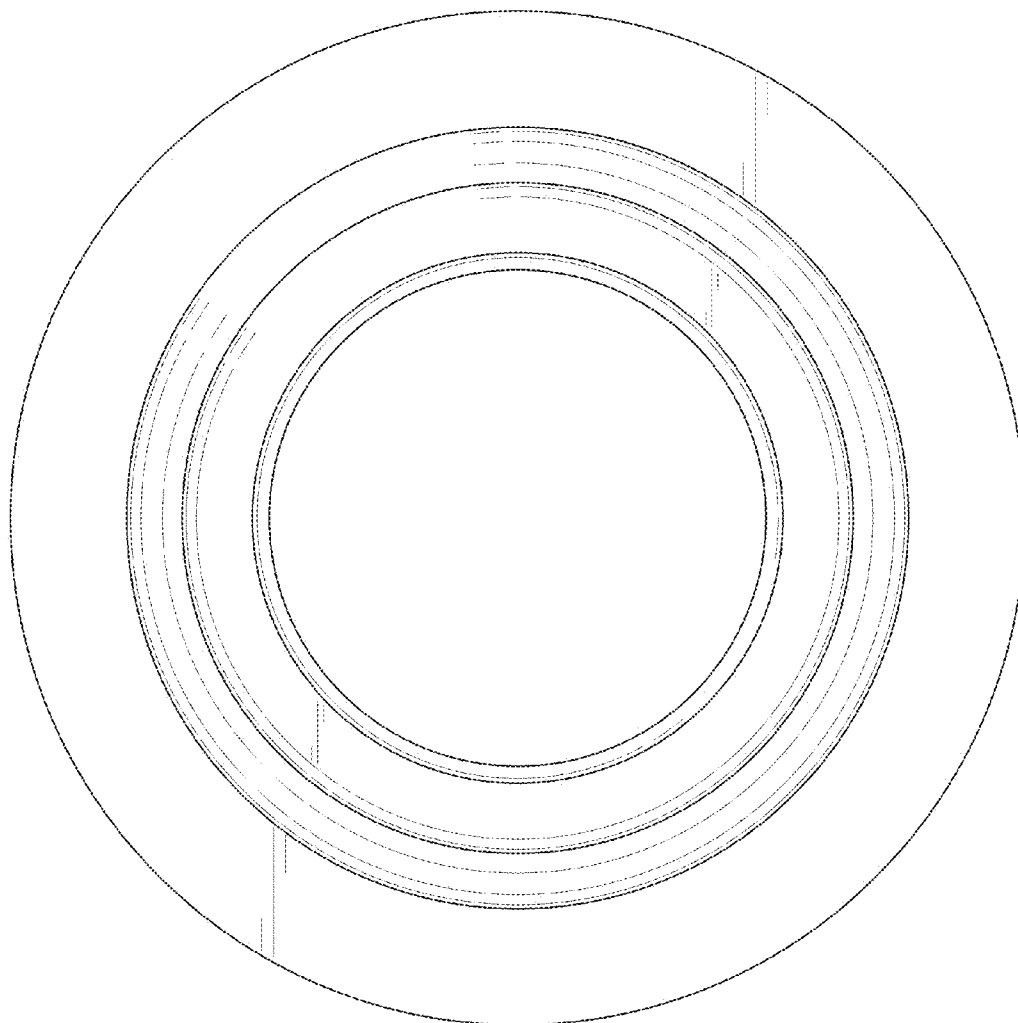


FIG. 5