



US00D953103S

(12) **United States Design Patent Pamplin**

(10) **Patent No.:** US D953,103 S

(45) **Date of Patent:** \*\* May 31, 2022

(54) **PORTABLE BLENDER LID**  
(71) Applicant: **BlendJet Inc.**, Benicia, CA (US)  
(72) Inventor: **Ryan Michael Pamplin**, San Juan, PR (US)

D417,815 S 12/1999 Endres  
D448,236 S 9/2001 Murray  
6,331,070 B1 12/2001 Desai  
6,568,843 B1 5/2003 Lai  
6,614,206 B1 9/2003 Wong  
(Continued)

(73) Assignee: **BlendJet Inc.**, Benicia, CA (US)  
(\*\*) Term: **15 Years**

FOREIGN PATENT DOCUMENTS

CN 201398891 2/2010  
CN 101258964 B 7/2011  
(Continued)

(21) Appl. No.: **29/714,824**

(22) Filed: **Nov. 26, 2019**

OTHER PUBLICATIONS

(51) **LOC (13) Cl.** ..... **07-99**  
(52) **U.S. Cl.**  
USPC ..... **D7/392**  
(58) **Field of Classification Search**  
USPC ..... D7/392, 392.1, 413, 509, 510, 534;  
D9/435, 447, 449  
CPC .... A47G 19/2272; A47G 19/22; B65D 43/02;  
B65D 47/08  
See application file for complete search history.

Youtube.com, BlendJet, Jen Selter's BlendJet Green Smoothie Recipe, Mar. 25, 2019, [site visited Nov. 4, 2021], Available on the Internet URL <https://www.youtube.com/shorts/NIFC2ek3Qms> (Year: 2019).\*

(Continued)

*Primary Examiner* — S. Bryan Reinholdt, Jr.  
(74) *Attorney, Agent, or Firm* — Esplin & Associates, PC

(56) **References Cited**

(57) **CLAIM**

U.S. PATENT DOCUMENTS

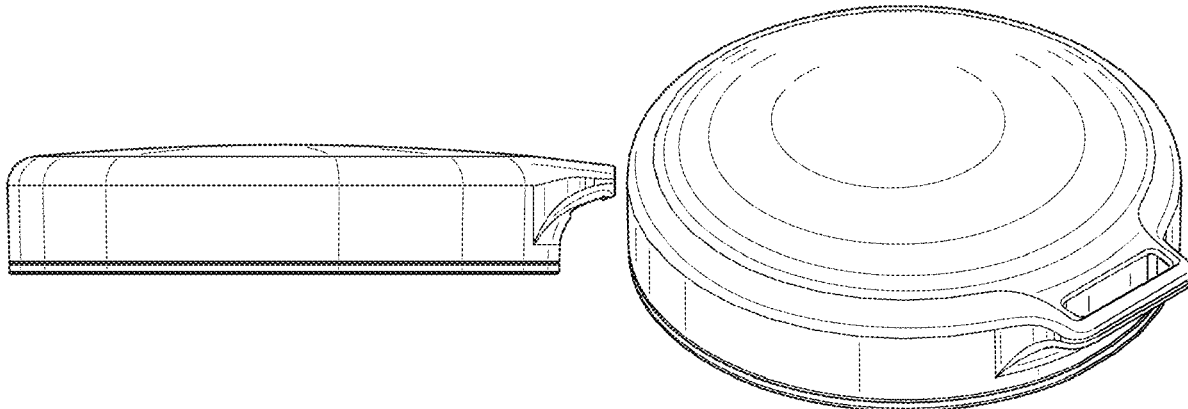
The ornamental design for a portable blender lid, as shown and described.

903,927	A	11/1908	Wendler	
D123,477	S	11/1940	Fetman et al.	
3,931,494	A	1/1976	Fisher	
4,095,090	A	6/1978	Pianezza	
D260,350	S	8/1981	Kahlcke	
4,435,084	A	3/1984	Calhoun	
D274,792	S	* 7/1984	Price	D9/438
4,487,509	A	12/1984	Boyce	
4,629,131	A	12/1986	Podell	
4,741,482	A	5/1988	Coggiola	
D315,475	S	* 3/1991	Finger	D7/392
D343,987	S	2/1994	Rotte	
5,425,579	A	6/1995	Sampson	
5,639,161	A	6/1997	Sirianni	
5,720,552	A	2/1998	Schindlegger	
5,908,037	A	* 6/1999	Pierson	A45D 33/006 132/293
5,911,504	A	6/1999	Schindlegger, Jr.	

**DESCRIPTION**

FIG. 1 is a front view of a portable blender lid showing the new design;  
FIG. 2 is a right-side view thereof;  
FIG. 3 is a front-right perspective view thereof;  
FIG. 4 is a bottom view thereof;  
FIG. 5 is a top view thereof; and,  
FIG. 6 is a rear view thereof.  
The broken lines in FIG. 4 depict portions of the portable blender lid that form no part of the claimed design.

**1 Claim, 6 Drawing Sheets**



(56)

References Cited

U.S. PATENT DOCUMENTS

6,796,705 B1 9/2004 Khubani  
 6,962,432 B2 11/2005 Hofeldt  
 D518,994 S 4/2006 Lin  
 D522,318 S 6/2006 McGuyer  
 D548,523 S 8/2007 Greenspon  
 D550,506 S 9/2007 Spitzer  
 D560,445 S 1/2008 Tardif  
 7,314,307 B2 1/2008 Cai  
 7,364,348 B1 4/2008 Jones  
 7,384,182 B2 6/2008 Bhavnani  
 7,422,362 B2 9/2008 Sands  
 D580,702 S 11/2008 Holcomb  
 7,518,343 B2 4/2009 Veselic  
 D603,215 S 11/2009 Hollinger  
 D603,704 S \* 11/2009 Jost ..... D9/449  
 D617,145 S 6/2010 Picozza  
 D621,206 S 8/2010 Matta  
 7,938,574 B2 5/2011 McGill  
 D640,502 S 6/2011 Picozza  
 D640,556 S \* 6/2011 Bragg ..... D9/449  
 D669,304 S 10/2012 Bock  
 D686,869 S 7/2013 Shoshan  
 D690,152 S 9/2013 Palermo  
 D701,615 S 3/2014 Pluska  
 D716,096 S 10/2014 Krooshof  
 8,851,739 B2 10/2014 Gonzalez  
 9,035,222 B2 5/2015 Alexander  
 9,039,274 B1 5/2015 Corda  
 D731,242 S 6/2015 Machovina  
 9,134,020 B1 9/2015 Wells  
 D742,683 S 11/2015 Kim  
 D765,462 S 9/2016 Davies  
 D765,463 S 9/2016 Alfatato  
 9,549,639 B2 1/2017 Garr  
 D782,866 S 4/2017 Suess  
 D784,071 S 4/2017 Davies  
 D786,614 S 5/2017 Smith  
 D789,139 S 6/2017 Repac  
 D789,735 S 6/2017 Palermo  
 D793,803 S 8/2017 Patel  
 D794,385 S 8/2017 Lee  
 D801,109 S 10/2017 Lee  
 9,775,467 B2 10/2017 Sapire  
 9,787,130 B2 10/2017 Kim  
 9,801,498 B2 10/2017 Fach  
 9,814,331 B2 11/2017 Alexander  
 D804,258 S 12/2017 Kim  
 9,839,326 B2 12/2017 Sapire  
 D815,486 S 4/2018 Suess  
 D816,394 S 5/2018 Yeung  
 D816,994 S \* 5/2018 Fischer ..... D3/294  
 10,010,213 B2 7/2018 Alexander  
 D829,042 S 9/2018 Duan  
 D829,496 S 10/2018 Kim  
 D832,641 S 11/2018 Sapire  
 D836,385 S 12/2018 Arzunyan  
 10,143,980 B1 12/2018 Marko  
 10,188,229 B2 1/2019 Alexander  
 D842,020 S 3/2019 Augustyn  
 10,299,629 B2 5/2019 Bascom  
 10,299,632 B2 5/2019 Vu  
 10,362,903 B2 7/2019 Mizrahi  
 D856,083 S 8/2019 Lawson-Shanks  
 10,383,482 B1 8/2019 Pamplin  
 10,391,461 B2 8/2019 Alfoudari  
 D867,806 S 11/2019 Bodum  
 D867,807 S 11/2019 Bodum  
 D871,831 S 1/2020 Liu  
 D873,601 S 1/2020 Sirju  
 10,617,260 B2 4/2020 Sapire  
 D885,124 S \* 5/2020 Yessin ..... D7/396.2  
 D889,260 S \* 7/2020 Hiltser ..... D9/449  
 10,702,837 B1 7/2020 Pamplin  
 D895,348 S 9/2020 Vignau-Lous  
 D896,566 S 9/2020 Wang

10,792,630 B1 10/2020 Pamplin  
 10,799,071 B2 10/2020 Pamplin  
 D900,530 S 11/2020 Kim  
 10,828,612 B1 11/2020 Pamplin  
 D903,400 S 12/2020 Li  
 D904,822 S 12/2020 Koszylko  
 D905,494 S 12/2020 Pataki  
 D905,496 S 12/2020 Pamplin  
 D908,428 S 1/2021 Pamplin  
 D911,107 S 2/2021 Pamplin  
 D913,035 S \* 3/2021 McCabe ..... D7/392.1  
 D927,924 S \* 8/2021 Lane ..... D7/392  
 11,229,891 B2 1/2022 Pamplin  
 D948,940 S 4/2022 Pamplin  
 2001/0036124 A1 11/2001 Rubenstein  
 2002/0117566 A1 8/2002 Cheng  
 2002/0141286 A1 10/2002 Wulf  
 2004/0159624 A1 8/2004 Miller  
 2007/0182367 A1 8/2007 Partovi  
 2007/0209528 A1 9/2007 Chang  
 2007/0221068 A1 9/2007 Boussemart  
 2007/0290555 A1 12/2007 Caren  
 2008/0217284 A1 9/2008 Roth  
 2008/0259722 A1 10/2008 Sanford  
 2008/0265838 A1 10/2008 Garg  
 2010/0005977 A1 1/2010 Menashes  
 2010/0301808 A1 12/2010 David  
 2011/0024537 A1 2/2011 Osmay  
 2011/0248108 A1 10/2011 Carriere  
 2012/0167781 A1 7/2012 Lane  
 2013/0010568 A1 1/2013 Bodum  
 2013/0222991 A1 8/2013 McWilliams  
 2014/0247686 A1 9/2014 Arnett  
 2014/0301155 A1 10/2014 Montgomery  
 2015/0117137 A1 4/2015 Haney  
 2015/0165402 A1 6/2015 King  
 2015/0283037 A1 10/2015 Trejo  
 2015/0374175 A1 12/2015 Garr  
 2016/0114935 A1 4/2016 Rönnholm  
 2016/0235243 A1 8/2016 Grassia  
 2016/0354740 A1 12/2016 Gonzalez  
 2017/0104297 A1 4/2017 Scott  
 2017/0110898 A1 4/2017 Kyriakoulis  
 2018/0028991 A1 2/2018 Brotzki  
 2018/0146826 A1 5/2018 Mizrahi  
 2018/0160855 A1 6/2018 Krivos  
 2018/0221836 A1 8/2018 Ni  
 2019/0000275 A1 1/2019 Sapire  
 2019/0082893 A1 3/2019 Faulkner-Edwards  
 2019/0365156 A1 12/2019 Vu  
 2020/0061557 A1 2/2020 Bertsch  
 2020/0205615 A1 7/2020 Pamplin  
 2020/0390286 A1 12/2020 Pamplin

FOREIGN PATENT DOCUMENTS

CN 102949118 A 3/2013  
 CN 103841867 A 6/2014  
 CN 104084076 A 10/2014  
 CN 104385455 A 3/2015  
 CN 104473576 A 4/2015  
 CN 104808545 A 7/2015  
 CN 204467878 U 7/2015  
 CN 204520400 8/2015  
 CN 205006717 U 2/2016  
 CN 105615698 A 6/2016  
 CN 205493613 8/2016  
 CN 207194642 U 4/2018  
 CN 207444802 U 6/2018  
 CN 207768224 U 8/2018  
 CN 304785260 S 8/2018  
 CN 107080417 B 10/2018  
 CN 209147461 U 7/2019  
 CN 210354282 4/2020

(56)

**References Cited**

FOREIGN PATENT DOCUMENTS

GB	2506926	4/2014
WO	2017157965	9/2017

OTHER PUBLICATIONS

ECPURCHASE Portable Blender USB Rechargeable. Date First Available on Amazon.com May 7, 2018. <https://www.amazon.com/Portable-Blender-Rechargeable-Single-Personal/dp/B07CXM3CC3/>. (Year: 2018) (1 page).

PCT International Search Report and Written Opinion, Application No. PCT/US19/63089, dated Feb. 19, 2020, dated 11 pages.

PCT International Search Report, International Application No. PCT/US2020/054447, dated Oct. 29, 2020, 7 pages.

PCT International Search Report and Written Opinion, Application No. PCT PCT/US2020/054471, dated Jan. 5, 2021 (8 pages.).

\* cited by examiner



FIG. 1

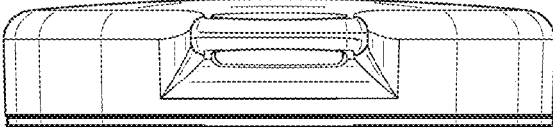


FIG. 2

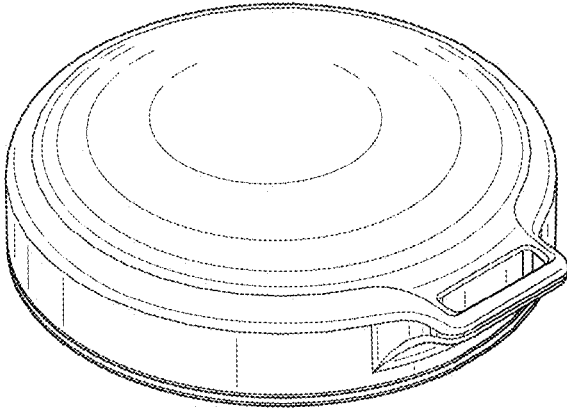


FIG. 3

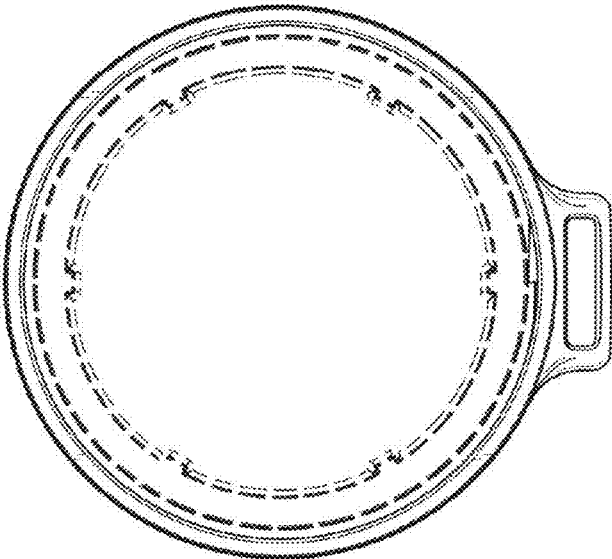


FIG. 4

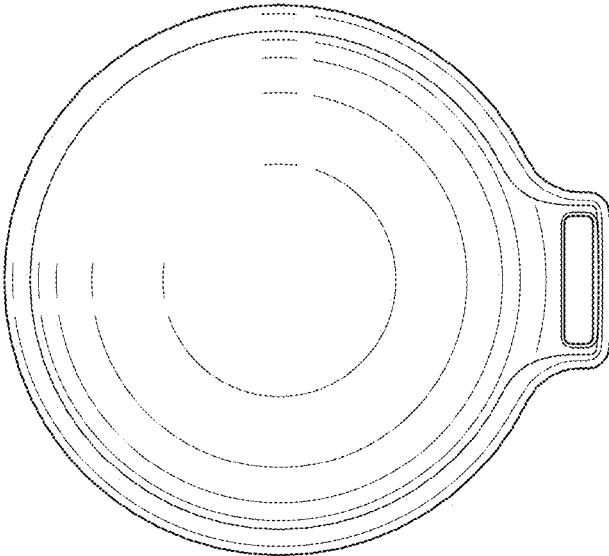


FIG. 5



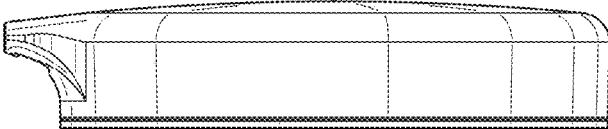


FIG. 6