



US00D773483S

(12) **United States Design Patent** (10) **Patent No.:** **US D773,483 S**
Leventhal et al. (45) **Date of Patent:** **** Dec. 6, 2016**

(54) **DISPLAY SCREEN WITH ICON**
(71) Applicant: **AI Squared**, Manchester Center, VT (US)
(72) Inventors: **Aaron M. Leventhal**, Winchester, MA (US); **Marc Zablatzky**, Dedham, MA (US)
(73) Assignee: **AI Squared**, Manchester Center, VT (US)
(**) Term: **14 Years**

D625,314 S * 10/2010 Jewitt D14/485
D633,517 S * 3/2011 Weir D14/487
D683,748 S * 6/2013 Chutani D14/487
D686,240 S * 7/2013 Lin D14/488
D702,250 S * 4/2014 Kotler D14/487
D705,256 S * 5/2014 Gerssen D14/490
D710,891 S * 8/2014 Hollobaugh D14/490
D716,841 S * 11/2014 Allyn D14/490
D730,398 S * 5/2015 Lim D14/490
2006/0112335 A1 * 5/2006 Hofmeister G06F 3/0488
715/701
2006/0149301 A1 * 7/2006 Claus A61F 9/00745
606/169
2014/0195900 A1 * 7/2014 Gabel G06F 17/211
715/256

(21) Appl. No.: **29/479,998**

(22) Filed: **Jan. 22, 2014**

(51) **LOC (10) Cl.** **14-04**

(52) **U.S. Cl.**

USPC **D14/485**

(58) **Field of Classification Search**

USPC D14/485-495
CPC G06F 3/048; G06F 3/0481; G06F 3/04842;
G06F 3/04847; G06F 3/0488; G06F
3/017; G06F 3/165; G06F 3/16; H04M
1/72552; H04M 1/72555

See application file for complete search history.

(56) **References Cited**

U.S. PATENT DOCUMENTS

D487,275 S * 3/2004 Ording D14/487
D499,110 S * 11/2004 Ording D14/487
6,950,986 B1 * 9/2005 Jacobi, Jr. G06T 11/60
283/117
D522,015 S * 5/2006 Cummins D14/487
D576,174 S * 9/2008 Ording D14/487
D594,872 S * 6/2009 Akimoto D14/485
D599,815 S * 9/2009 Ogura D14/490
D604,308 S * 11/2009 Takano D14/486
D605,201 S * 12/2009 Lorenz D14/488
D625,313 S * 10/2010 Jewitt D14/485

(Continued)

OTHER PUBLICATIONS

Kompozer Manual, published May 3, 2009 [online], site accessed Sep. 24, 2015. Available online at <URL: <http://en.wikinoticia.com/Technology/linux/36694-kompozer-manual-module-4-the-first-page>>.*

Primary Examiner — Darlington Ly
Assistant Examiner — Daniel J Domino
(74) *Attorney, Agent, or Firm* — Wolf, Greenfield & Sacks, P.C.

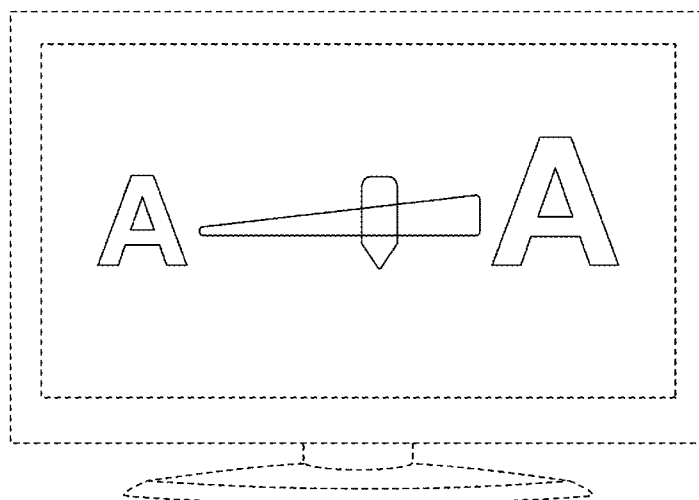
(57) **CLAIM**

The ornamental design for a display screen with icon, as shown and described.

DESCRIPTION

The sole FIGURE is a front view of the display screen with icon showing our new design. The broken lines showing a device illustrate environment, whereas the broken lines showing a display screen illustrate portions of the article. None of the broken lines form part of the claimed design.

1 Claim, 1 Drawing Sheet



(56)

References Cited

U.S. PATENT DOCUMENTS

2015/0242008 A1* 8/2015 Beckman G06F 3/043
345/177

* cited by examiner

