



US00D846474S

(12) **United States Design Patent**
Lucas et al.

(10) **Patent No.:** **US D846,474 S**

(45) **Date of Patent:** **** Apr. 23, 2019**

(54) **VEHICLE WHEEL**

(71) Applicant: **Ford Global Technologies, LLC,**
Dearborn, MI (US)

(72) Inventors: **Earl C. Lucas,** Southfield, MI (US);
Keith Rogman, Fenton, MI (US);
David Woodhouse, Troy, MI (US);
Solomon Song, Farmington Hills, MI
(US); **Viet Nguyen,** Madison Heights,
MI (US)

(73) Assignee: **Ford Global Technologies, LLC,**
Dearborn, MI (US)

(**) Term: **15 Years**

(21) Appl. No.: **29/624,514**

(22) Filed: **Nov. 1, 2017**

(51) **LOC (11) Cl.** **12-16**

(52) **U.S. Cl.**
USPC **D12/209**

(58) **Field of Classification Search**
USPC D12/204-213; D21/533, 561, 563
CPC B60B 7/00; B60B 7/02; B60B 7/04; B60B
7/06; B60B 3/02; B60B 3/04; B60B 3/06;
B60B 3/10; B60B 1/00; B60B 1/08;
B60B 1/10; B60B 1/12

See application file for complete search history.

(56) **References Cited**

U.S. PATENT DOCUMENTS

D407,056 S *	3/1999	Hodges	D12/211
D620,870 S *	8/2010	Powell	D12/211
D655,662 S *	3/2012	Stucki	D12/211
D671,060 S *	11/2012	Baum	D12/209
D751,015 S *	3/2016	Mahoney	D12/209
D776,596 S *	1/2017	Wolff	D12/211
D789,864 S *	6/2017	Song	D12/211
D804,388 S *	12/2017	Snyder	D12/209
D828,268 S *	9/2018	Nakamura	D12/209

* cited by examiner

Primary Examiner — Sheryl Lane

Assistant Examiner — Calvin E Vansant

(74) *Attorney, Agent, or Firm* — Vichit Chea

(57) **CLAIM**

The ornamental design for a vehicle wheel, as shown and described.

DESCRIPTION

FIG. 1 is a top perspective view of a vehicle wheel showing our new design; and,

FIG. 2 is a front elevational view thereof.

1 Claim, 2 Drawing Sheets

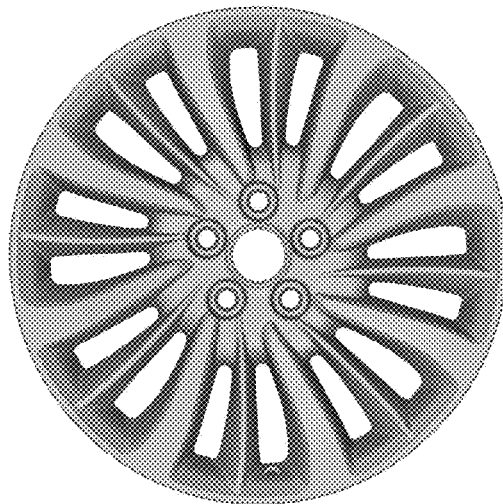
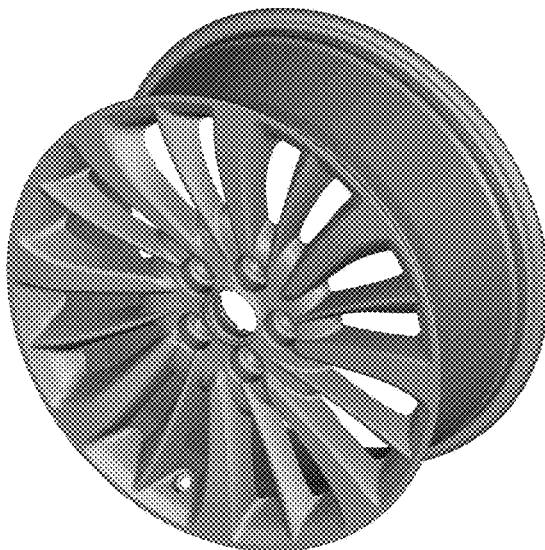




Figure 1

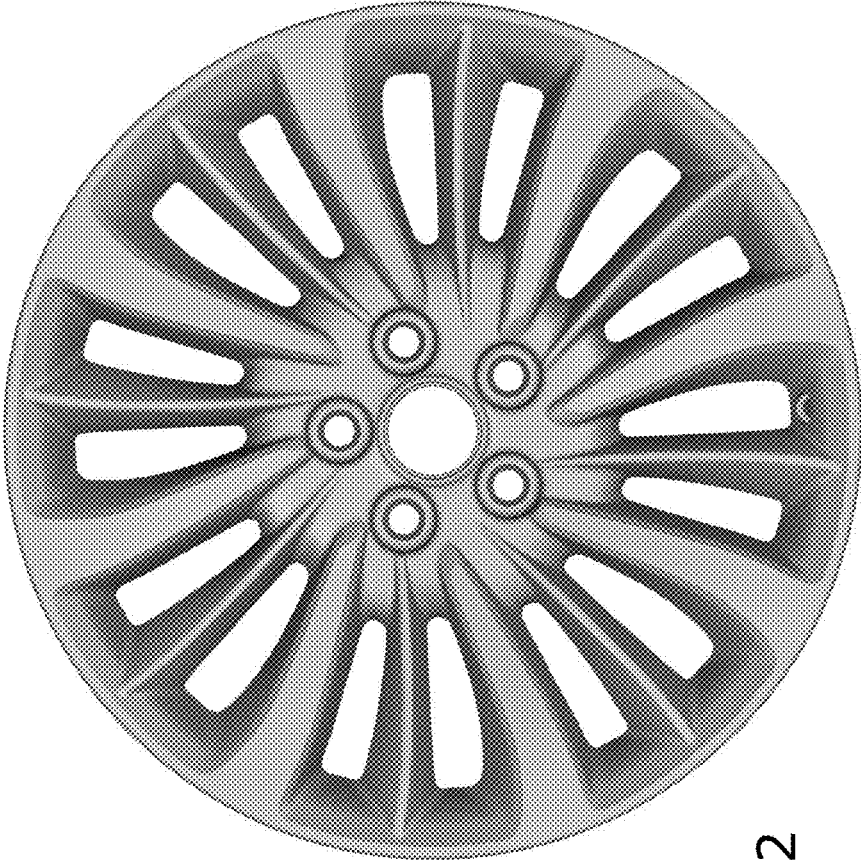


Figure 2