



US00D467424S

(12) **United States Design Patent**  
**Hardigg et al.**

(10) **Patent No.:** **US D467,424 S**

(45) **Date of Patent:** **\*\* Dec. 24, 2002**

(54) **TRANSPORT CASE**

(75) Inventors: **James S. Hardigg**, Conway, MA (US);  
**Mark C. Gaydos**, Greenfield, MA  
(US); **Stanley Lewandowski**, Shelburne  
Falls, MA (US)

(73) Assignee: **Hardigg Industries, Inc.**, South  
Deerfield, MA (US)

(\*\*) Term: **14 Years**

(21) Appl. No.: **29/154,971**

(22) Filed: **Jan. 31, 2002**

(51) **LOC (7) Cl.** ..... **03-01**

(52) **U.S. Cl.** ..... **D3/279; D3/276**

(58) **Field of Search** ..... D3/272, 273, 274,  
D3/276, 279, 281, 282, 294, 905, 291;  
206/349, 372, 373; 190/18 A, 100, 110;  
D34/19

(56) **References Cited**

**U.S. PATENT DOCUMENTS**

D275,822 S \* 10/1984 Gatland et al. .... D3/282  
D328,188 S \* 7/1992 Jacobsen et al. .... D3/270

D347,324 S \* 5/1994 Dickinson ..... D3/272  
D353,048 S \* 12/1994 VanSkiver et al. .... D3/273  
D374,772 S \* 10/1996 Hotaling et al. .... D3/273  
D413,203 S \* 8/1999 Zurwelle et al. .... D3/276  
D419,767 S \* 2/2000 Richardson et al. .... D3/273  
D439,407 S \* 3/2001 Parker ..... D3/276  
D441,954 S \* 5/2001 Parker ..... D3/273

\* cited by examiner

*Primary Examiner*—Philip S. Hyder

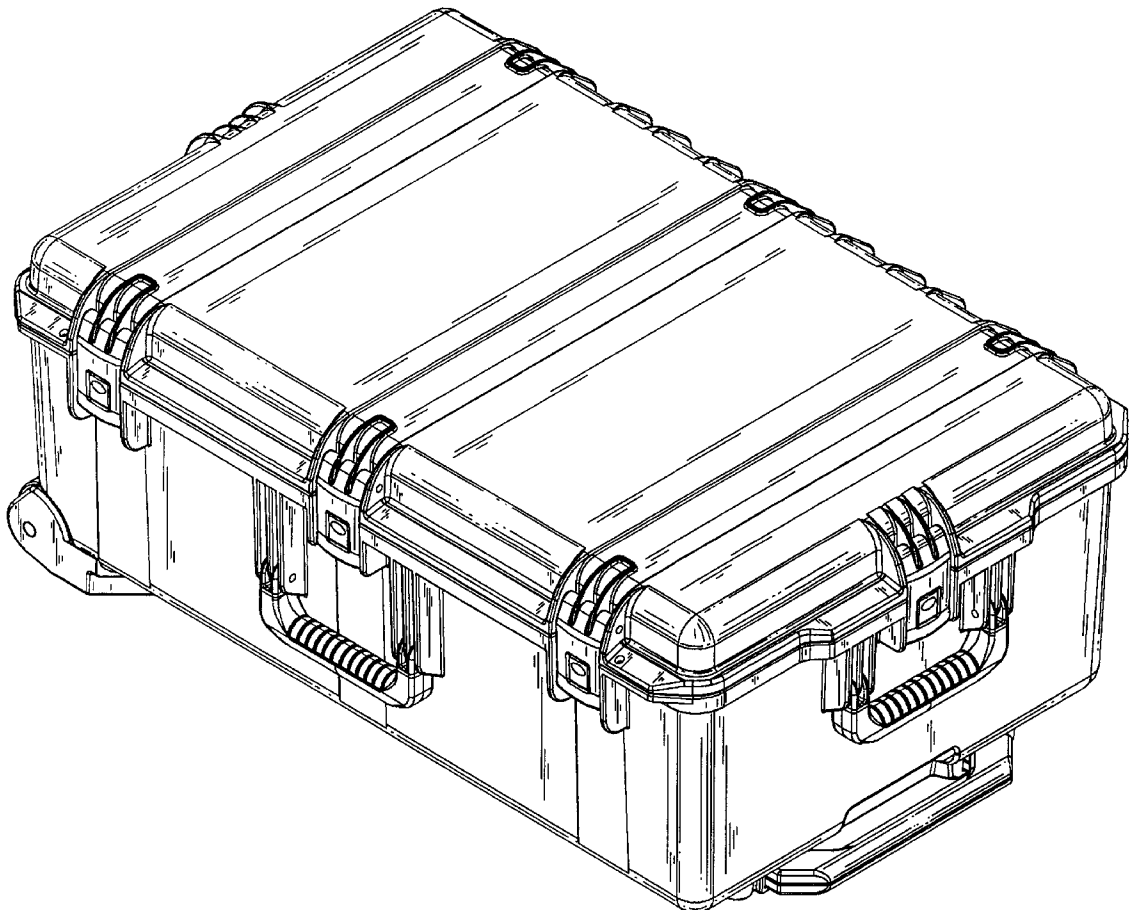
(57) **CLAIM**

The ornamental design for a transport case, as shown and described.

**DESCRIPTION**

FIG. 1 is a top right perspective view of the transport case showing our new design;  
FIG. 2 is a top plan view of the case of FIG. 1;  
FIG. 3 is a bottom plan view of the case of FIG. 1;  
FIG. 4 is a right end view of the case of FIG. 1;  
FIG. 5 is a left end view of the case of FIG. 1;  
FIG. 6 is a front elevation view of the case of FIG. 1; and,  
FIG. 7 is a rear elevation view of the case of FIG. 1.

**1 Claim, 6 Drawing Sheets**



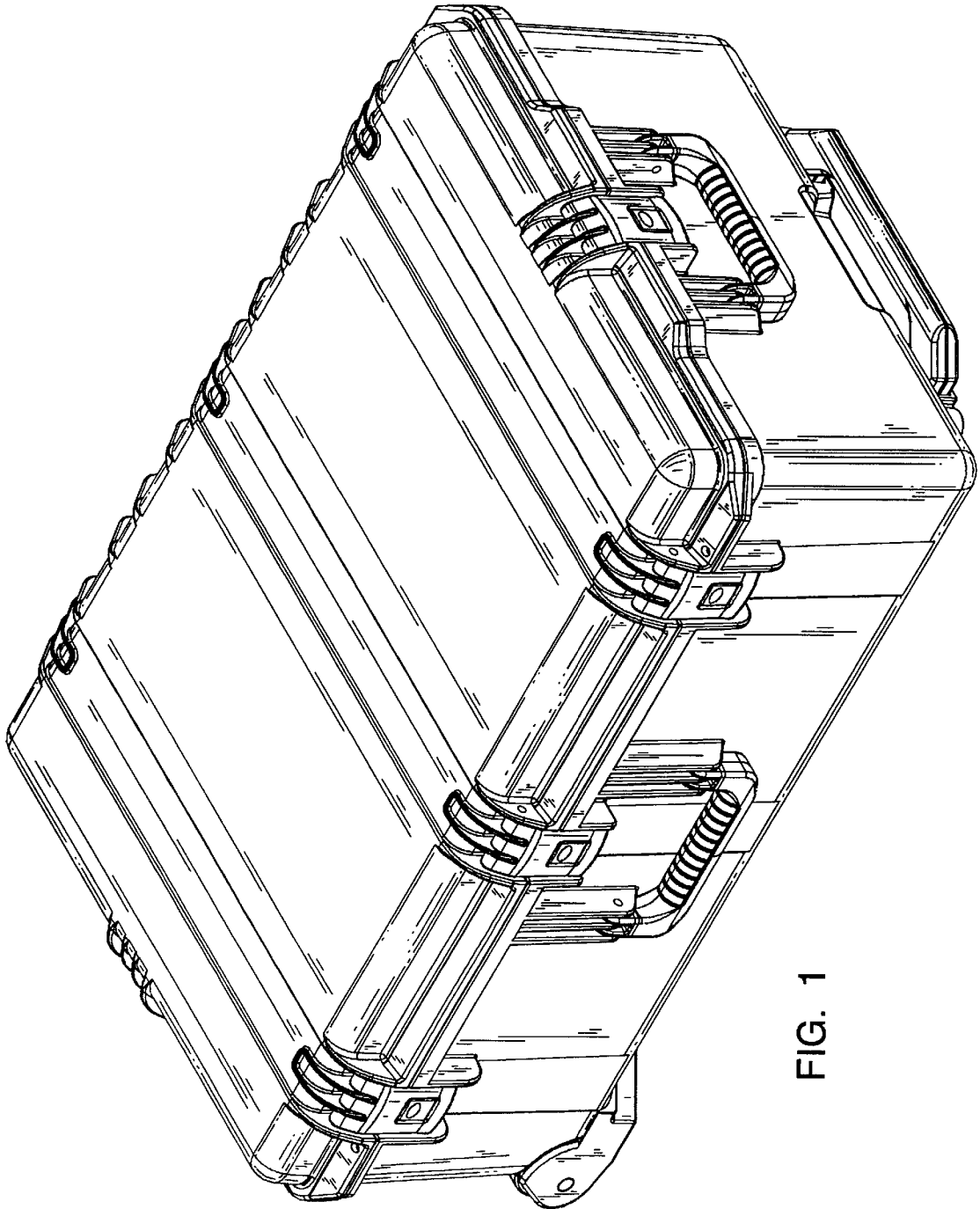


FIG. 1

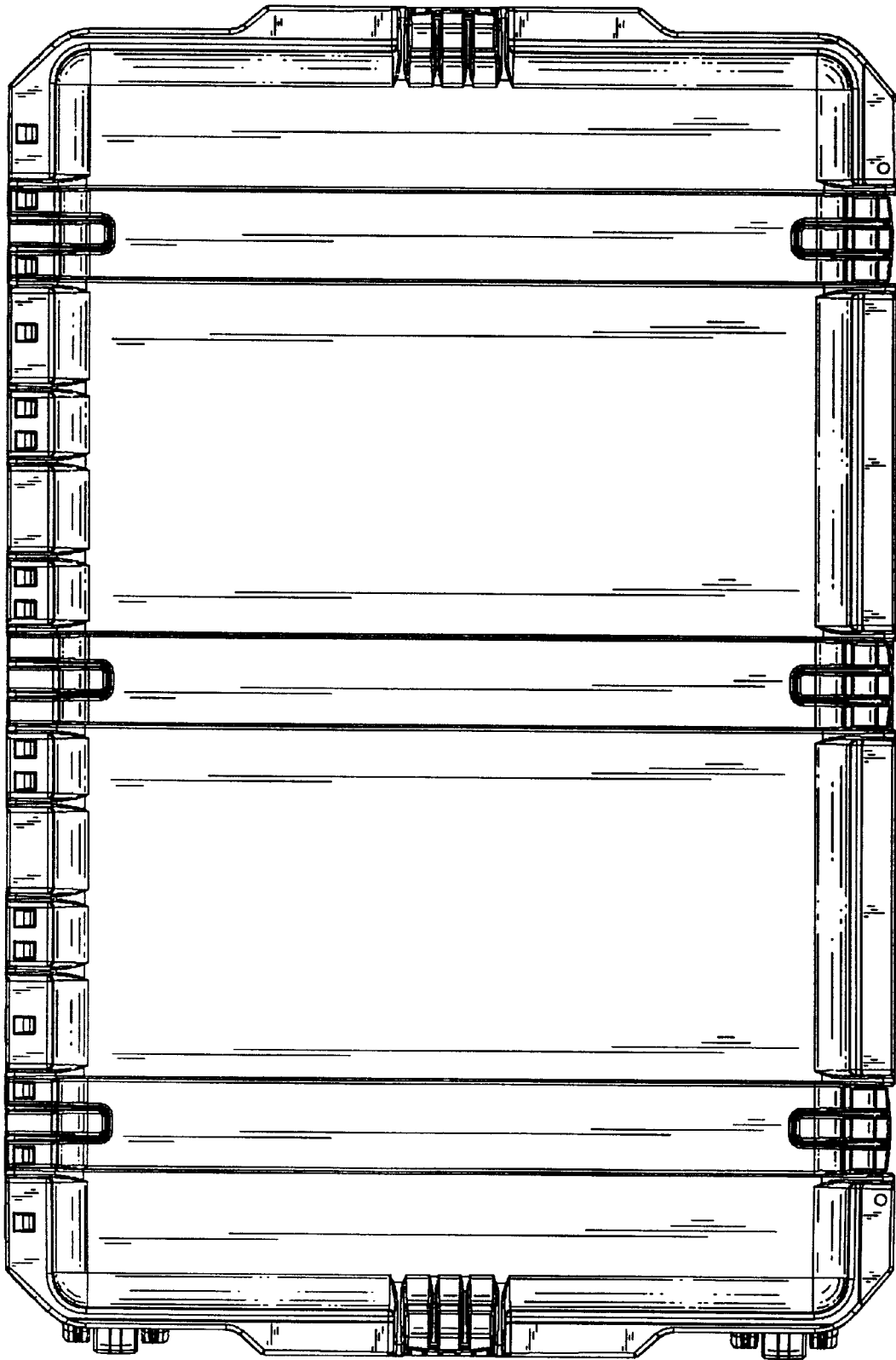


FIG. 2

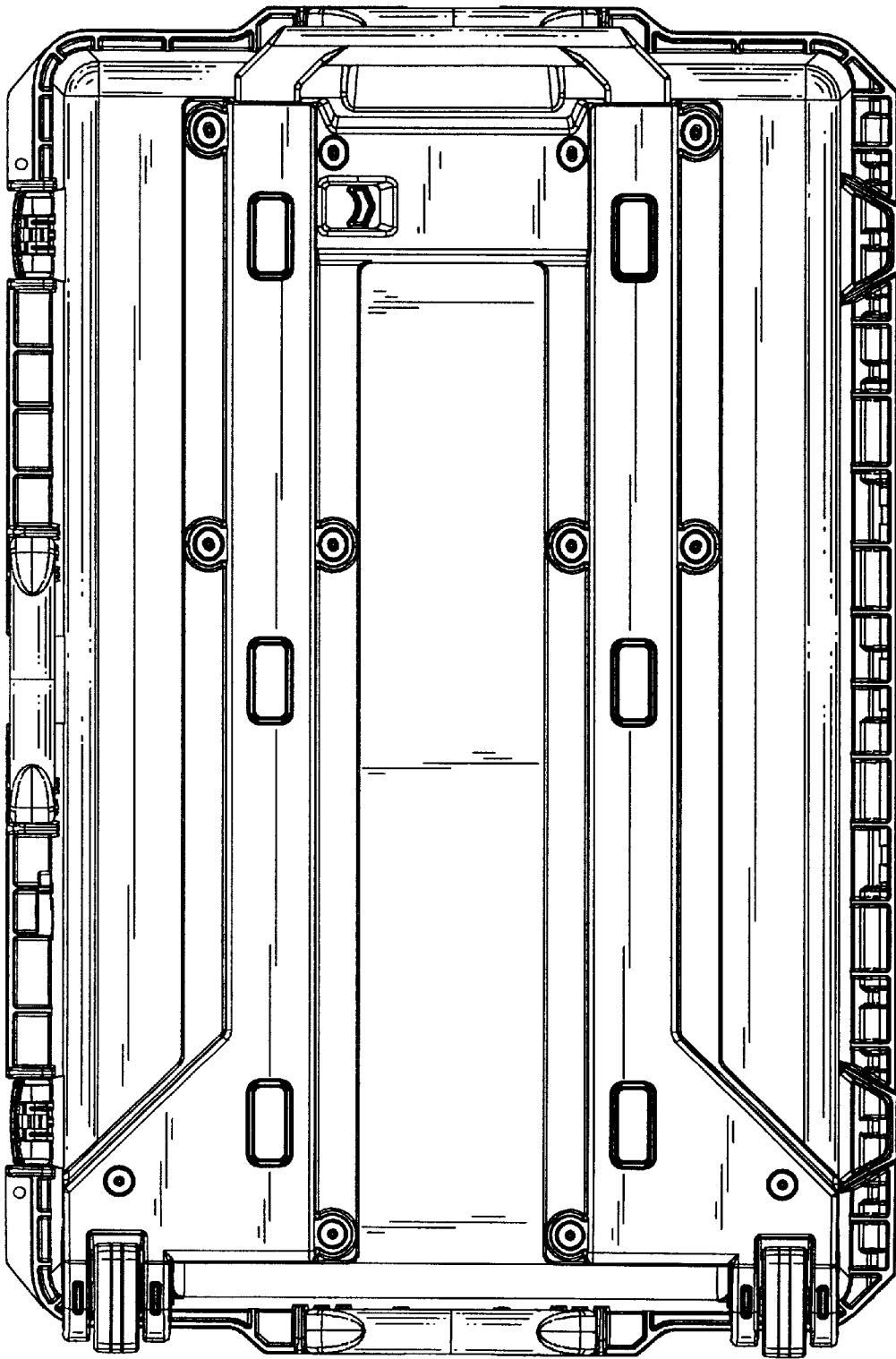


FIG. 3

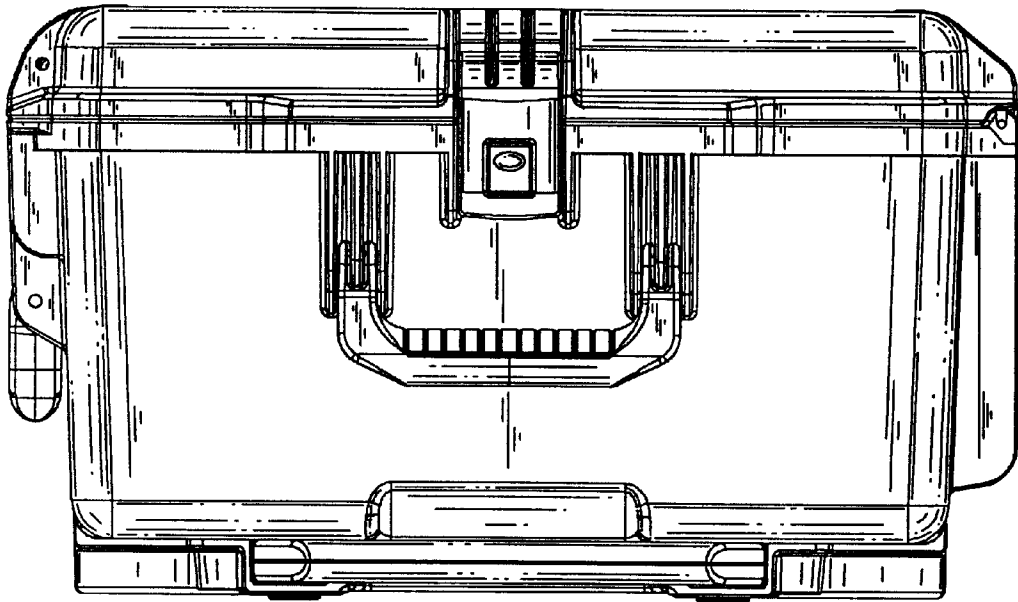


FIG. 4

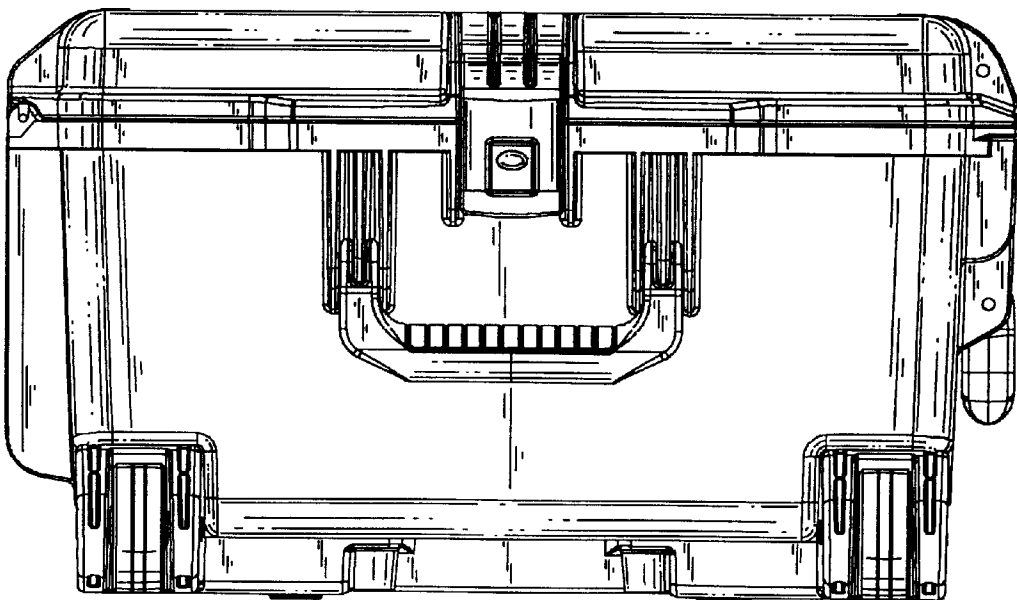


FIG. 5

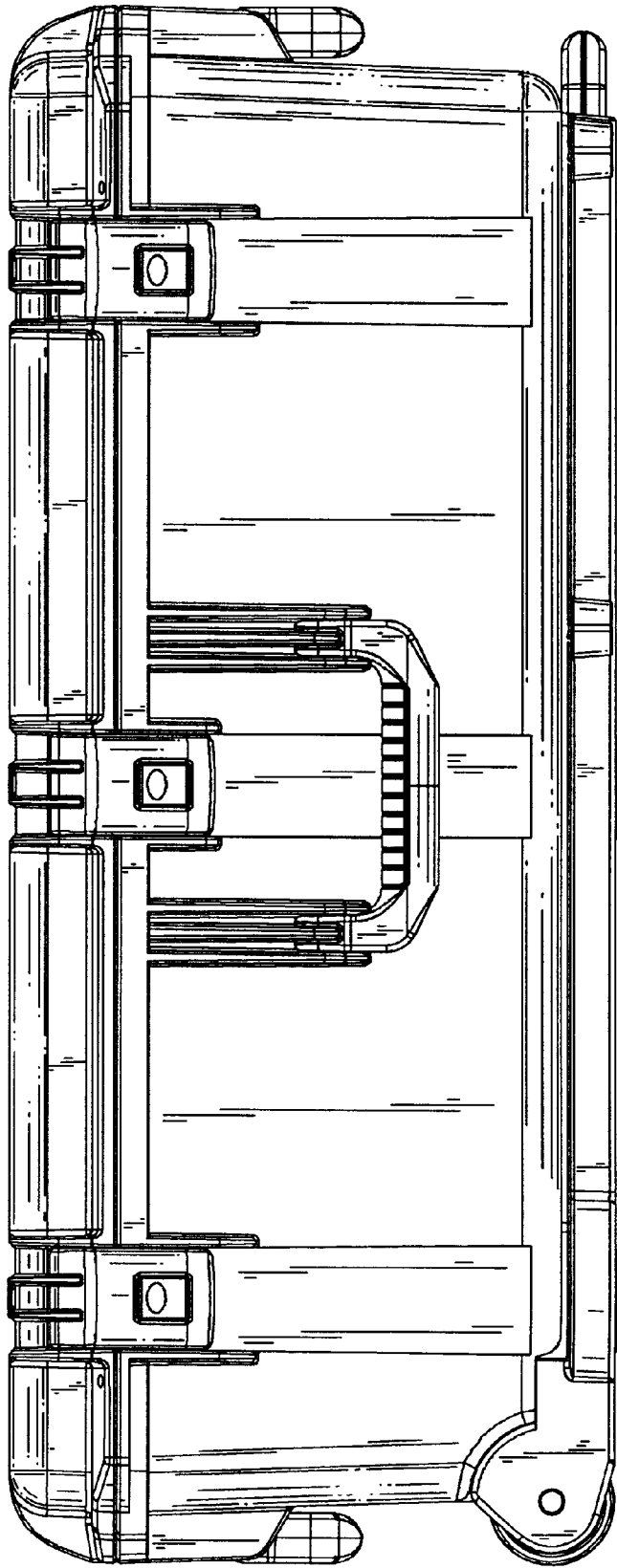


FIG. 6

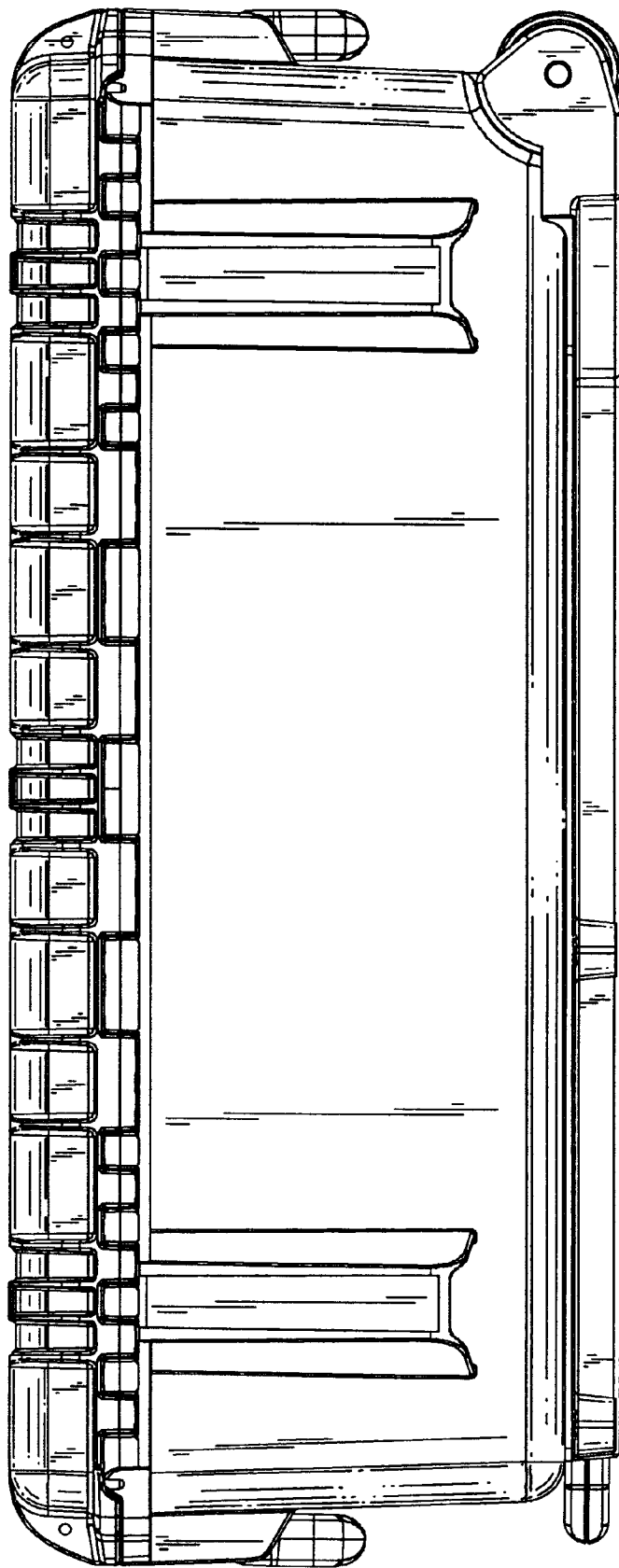


FIG. 7