



US00D938833S

(12) **United States Design Patent** (10) **Patent No.:** **US D938,833 S**
Behling (45) **Date of Patent:** **** Dec. 21, 2021**

(54) **WATCH CASE**

(56) **References Cited**

(71) Applicant: **LVMH SWISS MANUFACTURES SA, La Chaux-de-Fonds (CH)**

U.S. PATENT DOCUMENTS

(72) Inventor: **Christoph Behling, Londres (GB)**

| | | | |
|--------------|---------|----------------|--------|
| D668,162 S * | 10/2012 | Inoue | D10/39 |
| D701,465 S * | 3/2014 | Ganz | D10/38 |
| D711,750 S * | 8/2014 | Monachon | D10/39 |
| D732,982 S * | 6/2015 | Monachon | D10/38 |
| D781,722 S * | 3/2017 | Behling | D10/38 |
| D799,990 S * | 10/2017 | Behling | D10/38 |
| D800,578 S * | 10/2017 | Behling | D10/30 |
| D848,286 S * | 5/2019 | Behling | D10/32 |
| D849,561 S * | 5/2019 | Behling | D10/30 |
| D850,936 S * | 6/2019 | Behling | D10/32 |

(**) Term: **15 Years**

(21) Appl. No.: **35/510,131**

(22) Filed: **Mar. 24, 2020**

* cited by examiner

(80) **Hague Agreement Data**

Int. Filing Date: **Mar. 24, 2020**
Int. Reg. No.: **DM/209754**
Int. Reg. Date: **Mar. 24, 2020**
Int. Reg. Pub. Date: **Aug. 21, 2020**

Primary Examiner — George D. Kirschbaum

(57) **CLAIM**

The ornamental design for watch case, as shown and described.

(30) **Foreign Application Priority Data**

Dec. 20, 2019 (WO) WIPO90574

(51) **LOC (13) Cl.** **10-02**

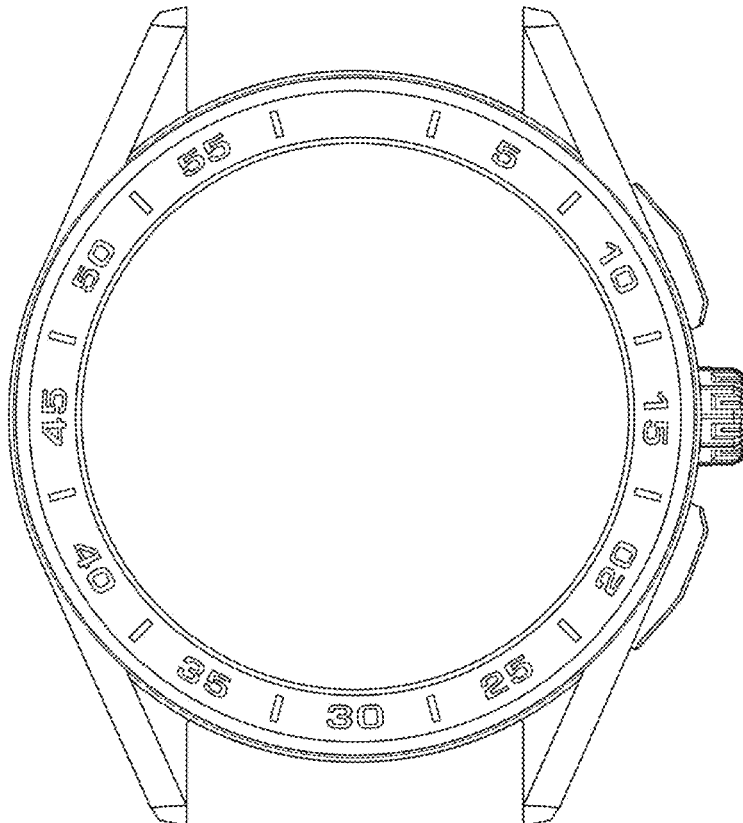
(52) **U.S. Cl.**
USPC **D10/38**

(58) **Field of Classification Search**
USPC D10/128-130, 124, 126, 38, 32, 39
CPC G04B 11/008; B29C 45/1657
See application file for complete search history.

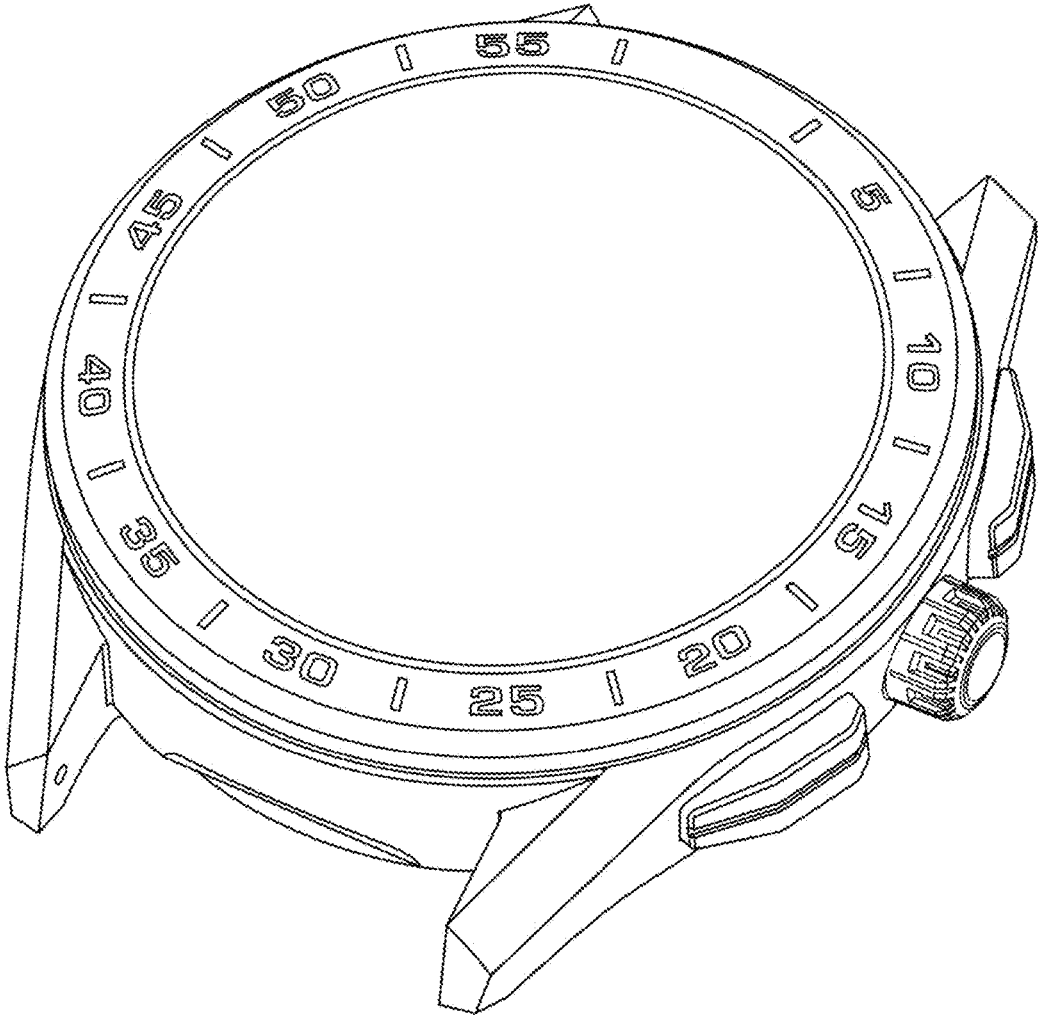
DESCRIPTION

- 1. Watch case
- 1.1 : Perspective
- 1.2 : Top
- 1.3 : Bottom
- 1.4 : Back
- 1.5 : Front
- 1.6 : Left
- 1.7 : Right

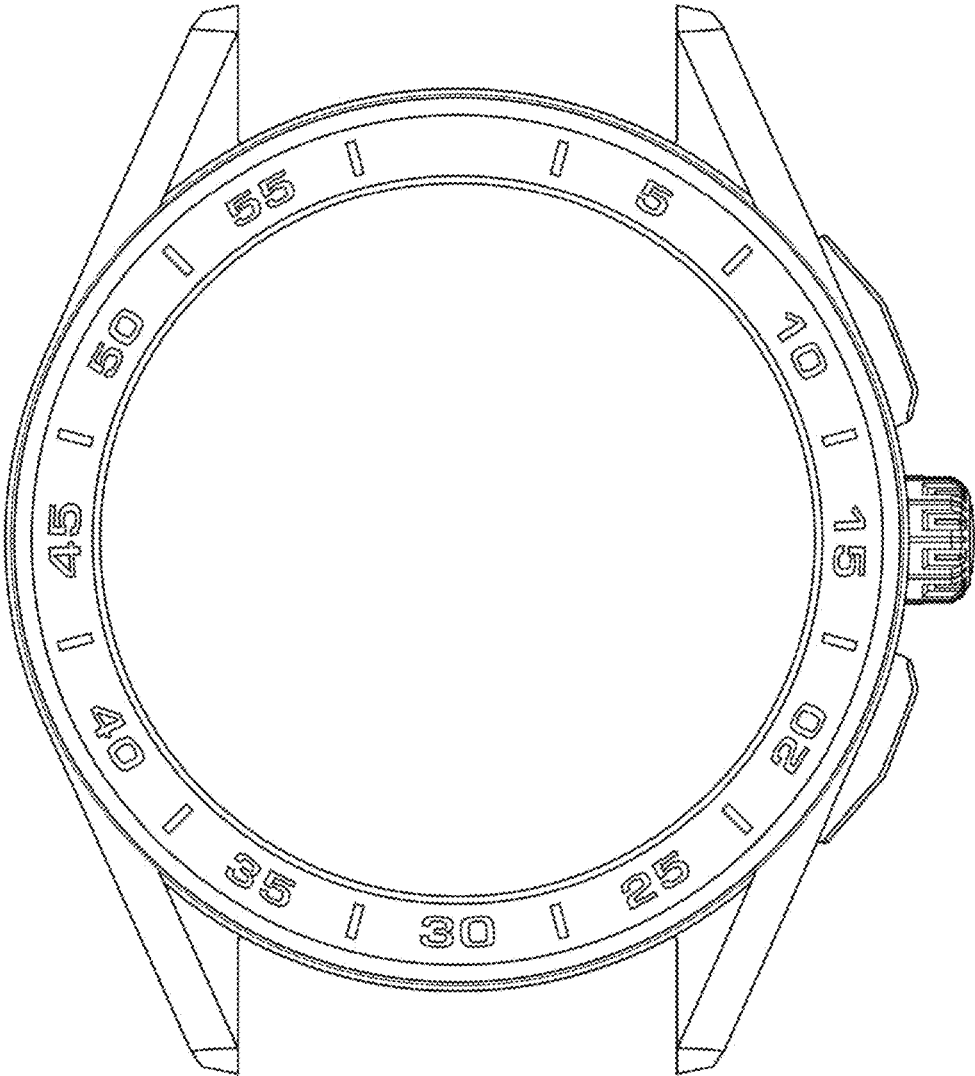
1 Claim, 7 Drawing Sheets



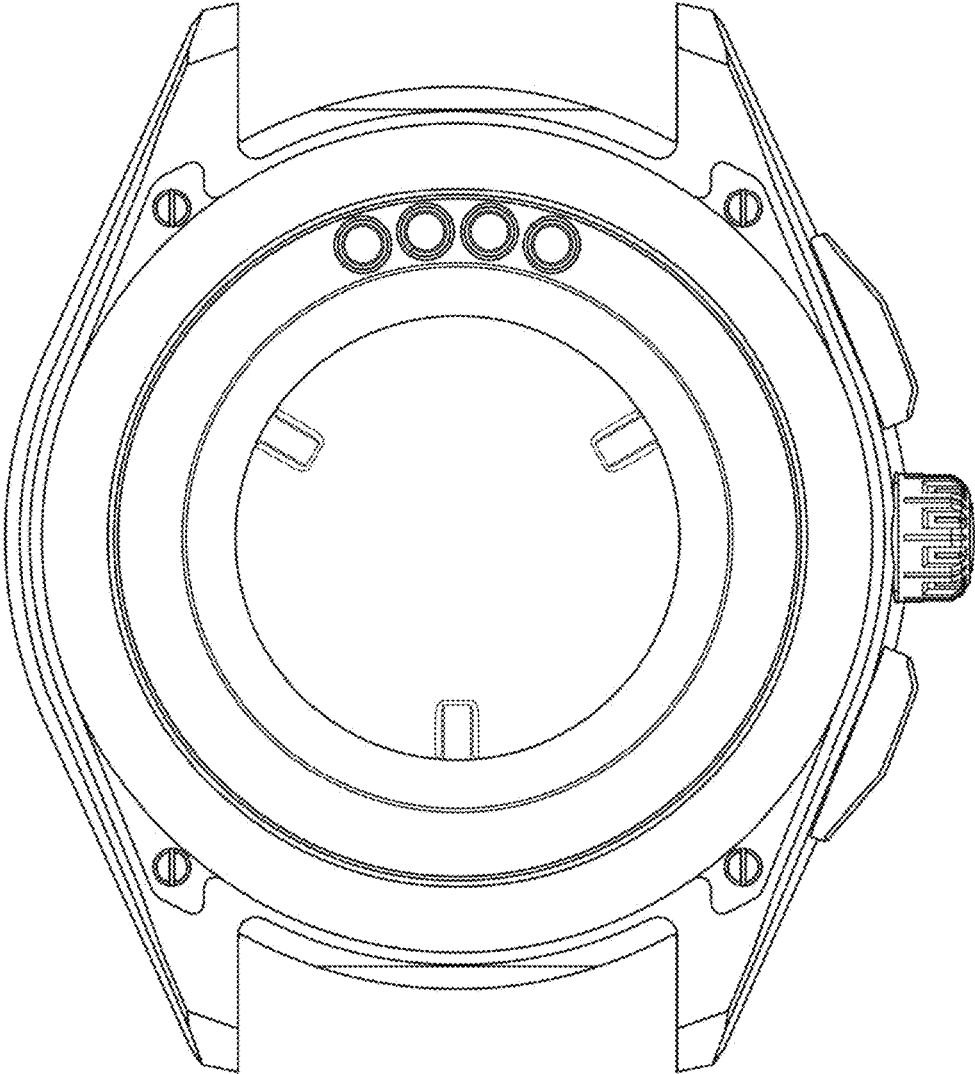
1.1



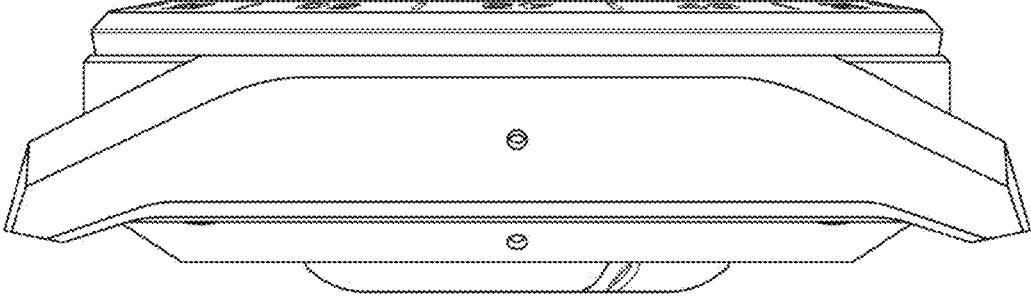
1.2



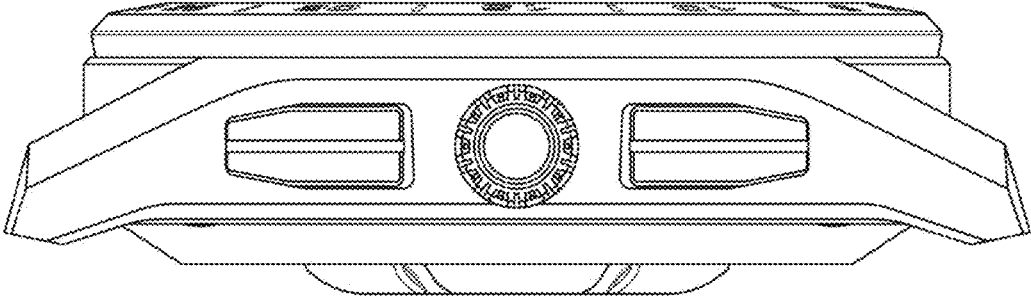
1.3



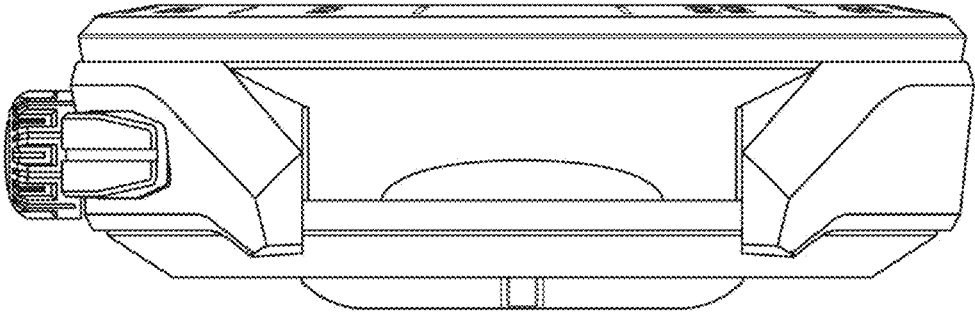
1.4



1.5



1.6



1.7

