



US00D648440S

(12) **United States Design Patent**
Allen

(10) **Patent No.:** **US D648,440 S**

(45) **Date of Patent:** **** *Nov. 8, 2011**

(54) **ADJUSTABLE PELVIC COMPRESSION BELT**

(75) Inventor: **Janiene Allen**, Austin, TX (US)

(73) Assignee: **Shrinkx, Inc.**, Austin, TX (US)

(**) Term: **14 Years**

(21) Appl. No.: **29/357,235**

(22) Filed: **Mar. 9, 2010**

(51) **LOC (9) Cl.** **24-01**

(52) **U.S. Cl.** **D24/190**

(58) **Field of Classification Search** D24/188-191,
D24/200, 206; D29/100, 101.2; D2/502,
D2/624, 627, 629, 634, 635; 602/5, 18, 19;
128/DIG. 23, 101.1; 2/44-45, 300, 338,
2/463-465; D21/662; 450/119, 121
See application file for complete search history.

(56) **References Cited**

U.S. PATENT DOCUMENTS

D30,700	S	*	5/1899	Wardroper	D24/190
3,970,079	A	*	7/1976	Gaylord, Jr.	602/19
D242,290	S	*	11/1976	Evans	D24/190
D281,005	S	*	10/1985	Larsen	D21/694
4,833,730	A	*	5/1989	Nelson	2/44
4,907,576	A	*	3/1990	Curlee	602/19
4,991,573	A	*	2/1991	Miller	602/19
5,086,759	A	*	2/1992	Buddingh	602/19
D328,792	S	*	8/1992	Salmon et al.	D24/207
5,147,261	A	*	9/1992	Smith et al.	482/106
D356,659	S	*	3/1995	Glass	D29/101.5
5,407,422	A	*	4/1995	Matthijs et al.	
D405,534	S	*	2/1999	Hall	D24/206
D408,116	S	*	4/1999	Gale	D2/627
6,637,429	B2	*	10/2003	Mundrick et al.	128/96.1
7,037,284	B2	*	5/2006	Lee	602/19
7,160,262	B2	*	1/2007	Wicks	
D552,398	S	*	10/2007	Lakomy	D6/601

D595,859	S	*	7/2009	Young	D24/190
2006/0052304	A1		3/2006	Stewart	
2007/0232973	A1		10/2007	Serola	
2009/0142988	A1		6/2009	Goodman	

OTHER PUBLICATIONS

International Search Report and Written Opinion of PCT/US2010/026677 mailed on May 4, 2010, 9 pages.

* cited by examiner

Primary Examiner — Susan E Krakower

(74) *Attorney, Agent, or Firm* — Kilpatrick Townsend & Stockton LLP

(57) **CLAIM**

The ornamental design for an adjustable pelvic compression belt, as shown and described.

DESCRIPTION

FIG. 1 is a perspective view of an adjustable pelvic compression belt showing my new design;

FIG. 2 is a front elevational view thereof;

FIG. 3 is a rear elevational view thereof;

FIG. 4 is a top plan view thereof;

FIG. 5 is a bottom plan view thereof;

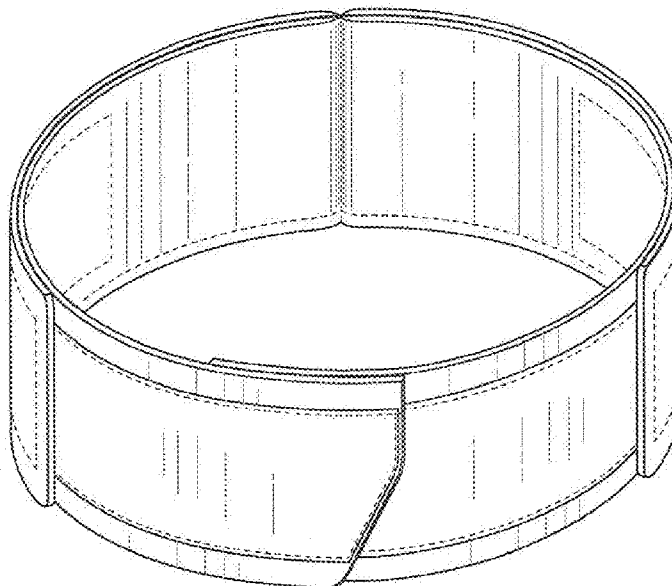
FIG. 6 is a right side elevational view thereof; and,

FIG. 7 is a left side elevational view thereof.

In the Figures, the adjustable pelvic compression belt is illustrated in a closed configuration as if secured around a person. It is also contemplated that the adjustable pelvic compression belt is flexible.

It is understood that the broken lines in FIGS. 1-7 indicate a stitching pattern, the ornamental aspects of which form part of the claimed design.

1 Claim, 4 Drawing Sheets



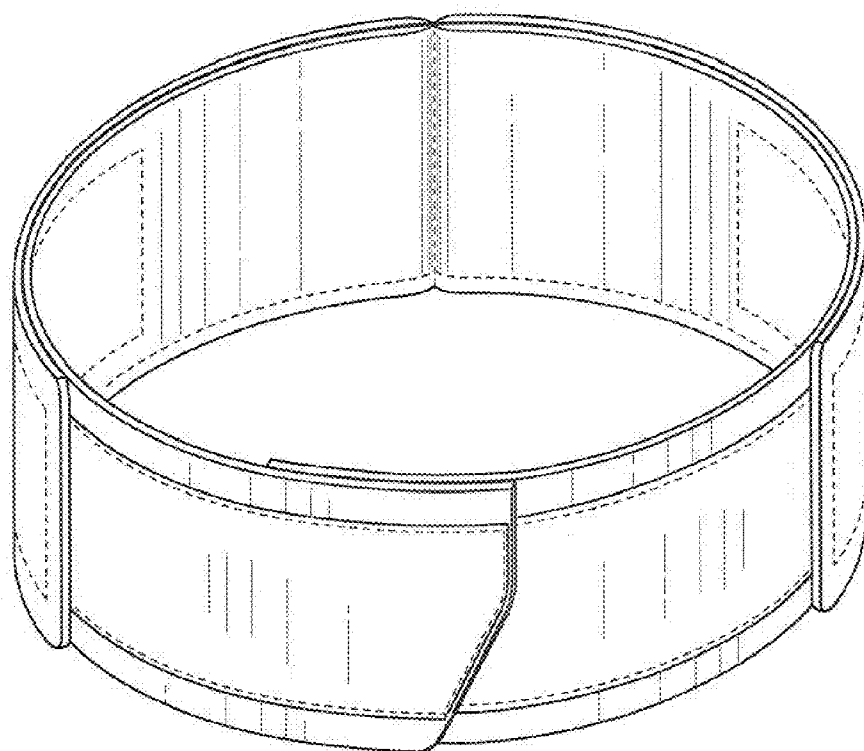


FIG. 1

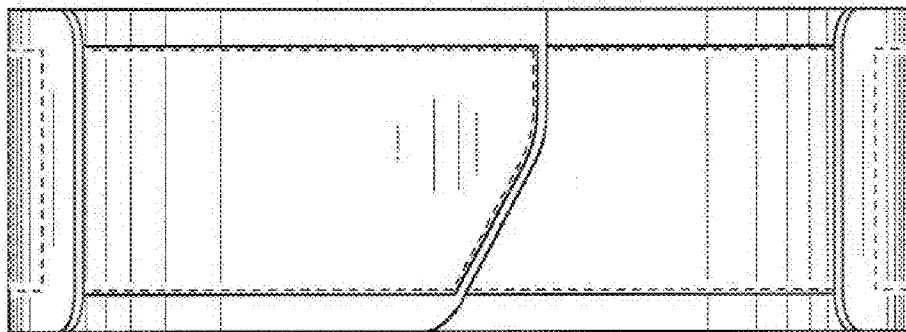


FIG. 2

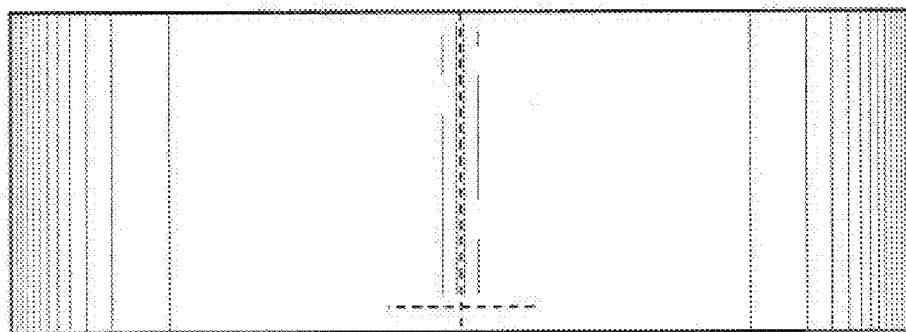


FIG. 3

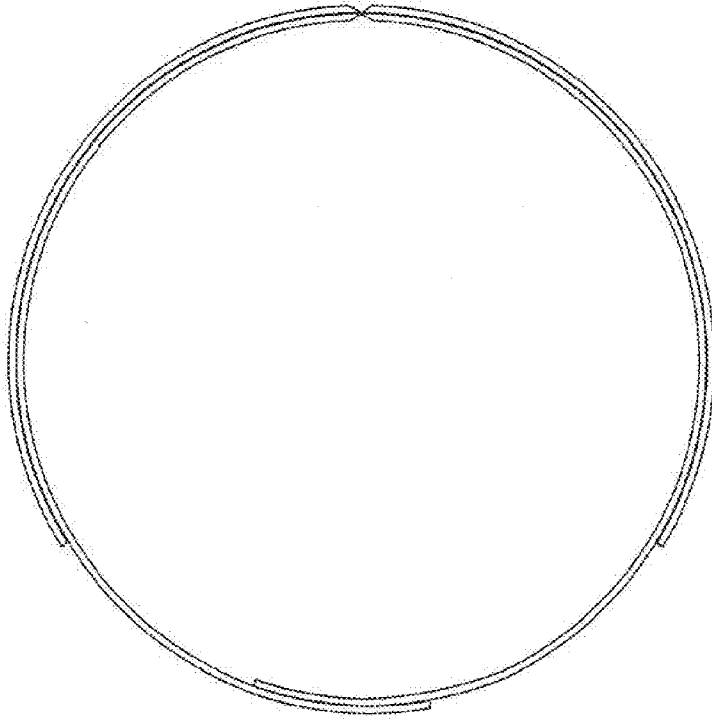


FIG. 4

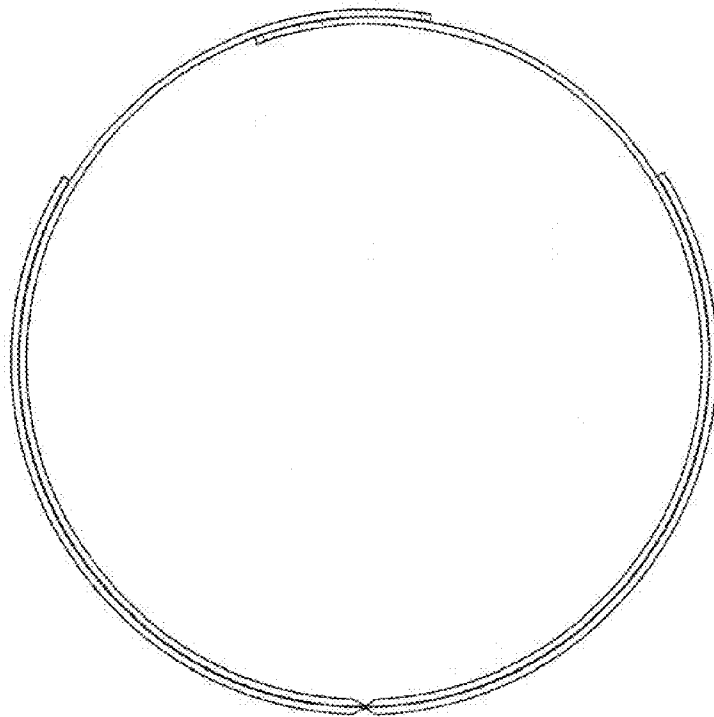


FIG. 5

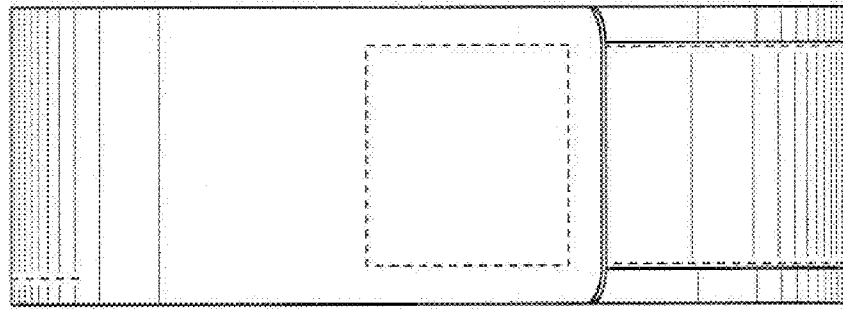


FIG. 6

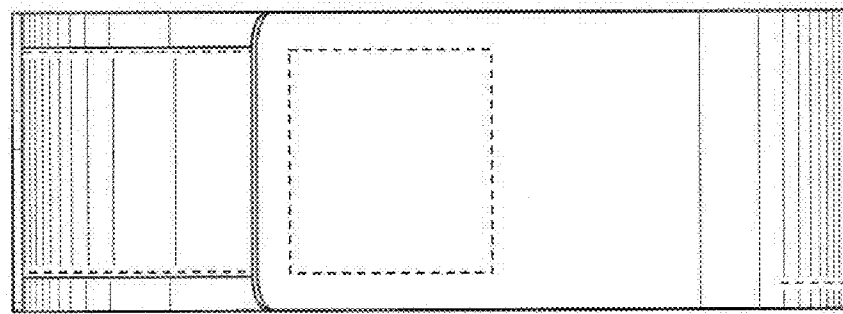


FIG. 7