



US00D992368S

(12) **United States Design Patent**
Miller

(10) **Patent No.:** **US D992,368 S**

(45) **Date of Patent:** **** Jul. 18, 2023**

(54) **STRAINER**

8710335483571408353&hvpone=&hvptwo=&hvqmt=&hvdev=c
&hvdvcmdl=&hvlocint=&hvlocphy=905 (Year: 2000).*

(Continued)

(71) Applicant: **Helen of Troy Limited**, St. Michael
(BB)

Primary Examiner — Brett Miller

Assistant Examiner — Nader Abadir

(72) Inventor: **Anastasia Arabella Miller**, Brooklyn,
NY (US)

(74) *Attorney, Agent, or Firm* — Rankin, Hill & Clark
LLP

(73) Assignee: **Helen of Troy Limited**, St. Michael
(BB)

(57) **CLAIM**

(**) Term: **15 Years**

The ornamental design for a strainer, as shown and
described.

(21) Appl. No.: **29/798,930**

(22) Filed: **Jul. 12, 2021**

DESCRIPTION

(51) **LOC (14) Cl.** **07-04**

FIG. 1 is a front, right perspective view of a strainer showing
one embodiment of our new design;

(52) **U.S. Cl.**

FIG. 2 is a front elevation view of FIG. 1;

USPC **D7/667**; D7/665

FIG. 3 is a rear elevation view of FIG. 1;

(58) **Field of Classification Search**

USPC D7/665-668, 680-696, 395, 356, 399,
D7/400; D23/209, 210; D32/35;

FIG. 4 is a left side elevation view of FIG. 1;

(Continued)

FIG. 5 is a right side elevation view of FIG. 1;

(56) **References Cited**

FIG. 6 is a top plan view of FIG. 1;

U.S. PATENT DOCUMENTS

FIG. 7 is a bottom plan view of FIG. 1;

2,006,566 A * 7/1935 Zimmer A47J 43/22

FIG. 8 is a front, right perspective view of a strainer showing
another embodiment of our new design;

222/189.06

FIG. 9 is a front elevation view of FIG. 8;

D105,670 S * 8/1937 Nelson D7/667

FIG. 10 is a rear elevation view of FIG. 8;

(Continued)

FIG. 11 is a left side elevation view of FIG. 8;

FOREIGN PATENT DOCUMENTS

CA 136448 * 7/2011

FIG. 12 is a right side elevation view of FIG. 8;

CN 303080300 * 1/2015

FIG. 13 is a top plan view of FIG. 8;

(Continued)

FIG. 14 is a bottom plan view of FIG. 8;

OTHER PUBLICATIONS

OXO Good Grips 8-in Double Rod Strainer, Apr. 26, 2000, https://www.amazon.com/OXO-Good-Grips-8-Inch-Strainer/dp/B00004OCLX/ref=asc_df_B00004OCLX/?tag=hyprod-20&linkCode=df0&hvadid=167134584690&hvpos=&hvnetw=g&hvrand=

FIG. 15 is a front, right perspective view of a strainer
showing another embodiment of our new design;

FIG. 16 is a front elevation view of FIG. 15;

FIG. 17 is a rear elevation view of FIG. 15;

FIG. 18 is a left side elevation view of FIG. 15;

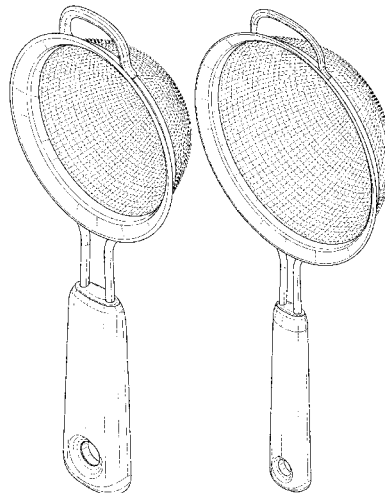
FIG. 19 is a right side elevation view of FIG. 15;

FIG. 20 is a top plan view of FIG. 15; and,

FIG. 21 is a bottom plan view of FIG. 15.

The broken lines in the drawings depict portions of the
strainer that form no part of the claimed design.

1 Claim, 15 Drawing Sheets



- (58) **Field of Classification Search**
 USPC 99/279, 322, 323, 403, 426; 210/210,
 210/464, 465, 470, 473, 474, 477, 482,
 210/498, 499
 CPC A47J 43/281; A47J 43/285; A47J 19/005;
 A47J 43/14; A47J 43/24; A47J 43/22;
 A47J 43/28; A47J 43/286; A47J 43/00;
 A47J 47/20; A47J 19/00; A47J 36/22;
 A47J 26/20; A47G 19/02; A47G 19/12;
 A45F 3/20
 See application file for complete search history.

(56) **References Cited**

U.S. PATENT DOCUMENTS

D107,958 S * 1/1938 Hess D7/667
 2,117,876 A * 5/1938 Echternach B21D 53/62
 30/325
 2,174,577 A * 10/1939 Friedman A47J 43/20
 210/471
 2,284,342 A * 5/1942 Quinby A47J 36/08
 210/465
 D143,105 S * 12/1945 Helfenbein D7/667
 2,391,215 A * 12/1945 Zabel A47J 43/22
 4/290
 D190,879 S * 7/1961 Kessler D7/667
 3,249,250 A * 5/1966 McKee B65D 83/005
 426/115
 3,380,376 A * 4/1968 Preis A47J 37/1209
 99/413
 D245,565 S * 8/1977 Steiner D7/667
 D296,969 S * 8/1988 Carlson D7/667
 D334,691 S * 4/1993 Feer D7/667
 D359,887 S * 7/1995 Hasuike D7/667
 D367,406 S * 2/1996 Ancona D7/691
 D377,246 S * 1/1997 Clenney 294/1.3
 D450,547 S * 11/2001 Lo D7/667
 D456,221 S * 4/2002 Tse D7/667
 D468,596 S * 1/2003 Bluemond D7/667
 D494,427 S * 8/2004 Kaposi D7/369
 D557,374 S * 12/2007 Pecca D23/209
 D558,538 S * 1/2008 Curtin D7/667
 D558,539 S * 1/2008 Curtin D7/667
 D598,717 S * 8/2009 Jalet D7/667
 D620,325 S * 7/2010 D'Andrea D7/667
 D639,119 S * 6/2011 Jossem D7/667
 D653,917 S * 2/2012 Ehrenhaus D7/584
 D656,358 S * 3/2012 Cloutier D7/354
 D658,949 S * 5/2012 Tsui D7/667
 D665,233 S * 8/2012 Shamoon D7/667
 D733,509 S * 7/2015 Cornu D7/667
 D764,242 S * 8/2016 Frank D7/667
 D778,128 S * 2/2017 Keating D7/402
 D784,777 S * 4/2017 Cotter D7/667
 D816,434 S * 5/2018 Burns D7/667
 D817,118 S * 5/2018 Chang D7/667
 D830,793 S * 10/2018 Nie D7/667

D835,477 S * 12/2018 Pawluskiewicz D7/667
 D835,478 S * 12/2018 Kokubo D7/667
 D835,479 S * 12/2018 Kokubo D7/667
 D845,704 S * 4/2019 Xu D7/400
 D851,469 S * 6/2019 Holding D7/667
 D899,182 S * 10/2020 Brown D7/400
 D951,031 S * 5/2022 Weber D7/667
 D959,214 S * 8/2022 Tehrani D7/667
 D964,118 S * 9/2022 Zhan D7/667
 2013/0074702 A1 * 3/2013 Difante A47J 27/04
 99/403
 2013/0125765 A1 * 5/2013 Difante A47J 36/20
 99/403
 2013/0333106 A1 * 12/2013 Ychie E03C 1/264
 264/553
 2020/0375226 A1 * 12/2020 Dobizl A23L 3/3589

FOREIGN PATENT DOCUMENTS

CN 303602603 * 3/2016
 CN 303924383 * 11/2016
 CN 306125054 * 10/2020
 CN 306282513 * 1/2021
 CN 306457421 * 4/2021
 CN 307146906 * 3/2022
 HK 1502186-0001 * 3/2016

OTHER PUBLICATIONS

Cuisinart CTG-00-3MS Set of 3 Fine Set of Mesh Strainers, Stainless Steel, Pack of 3, May 7, 2012, https://www.amazon.com/Cuisinart-CTG-00-3MS-Stainless-Steel-Strainers/dp/B007TUQF9O/ref=sr_1_7?crd=1GWZT2TRNNGV8&keywords=strainer&qid=1668028825&sprefix=strainer%2Caps%2C89&sr=8-7 (Year: 2012).
 * Makerstep Set of 3 Stainless Steel Fine Mesh Strainers Graduated, May 12, 2020, https://www.amazon.com/Cuisinart-CTG-00-3MS-Stainless-Steel-Strainers/dp/B007TUQF9O/ref=sr_1_7?crd=1GWZT2TRNNGV8&keywords=strainer&qid=1668028825&sprefix=strainer%2Caps%2C89&sr=8-7 (Year: 2020).
 * Hiware Stainless Steel Fat Skimmer, Oct. 25, 2017, <https://www.amazon.com/Hiware-Stainless-Steel-Skimmer-Spoon/dp/B076S9744K> (Year: 2017).
 * Newness Strainer, Apr. 20, 2020, <https://www.amazon.com/Newness-Professional-Stainless-Strainer-Multi-Functional/dp/B087C1W4SF> (Year: 2020).
 * SUNWUKIN Strainer, Dec. 16, 2020, <https://www.amazon.com/SUNWUKIN-Stainless-Strainers-Colander-Skimmer-Vegetable/dp/B08QSHJ4L2> (Year: 2020).
 * LiveFresh Fine Mesh Strainer, Oct. 16, 2015, <https://www.amazon.com/LiveFresh-Stainless-Steel-Strainer-Handle/dp/B00UPOVWD0> (Year: 2015).
 * OPACC Fine Mesh Strainer, Jul. 18, 2016, <https://www.amazon.com/Stainless-Strainers-OPACC-Strainer-Colander/dp/B01HMT32XM> (Year: 2016).
 * OXO 8" Double Rod Strainer, [online], publicly available prior to Jul. 12, 2021. [Retrieved from the Internet Jul. 12, 2021] <URL: <https://www.oxo.com/8-strainer-377.html>>.

* cited by examiner

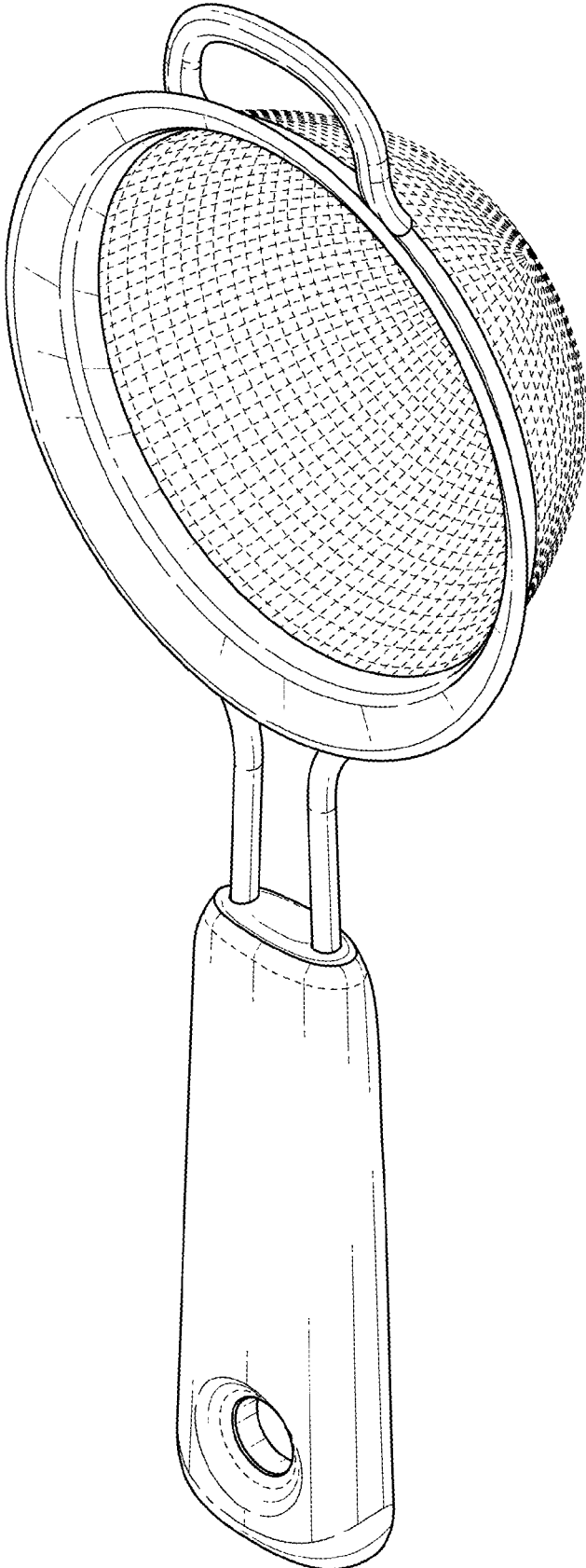


FIG. 1

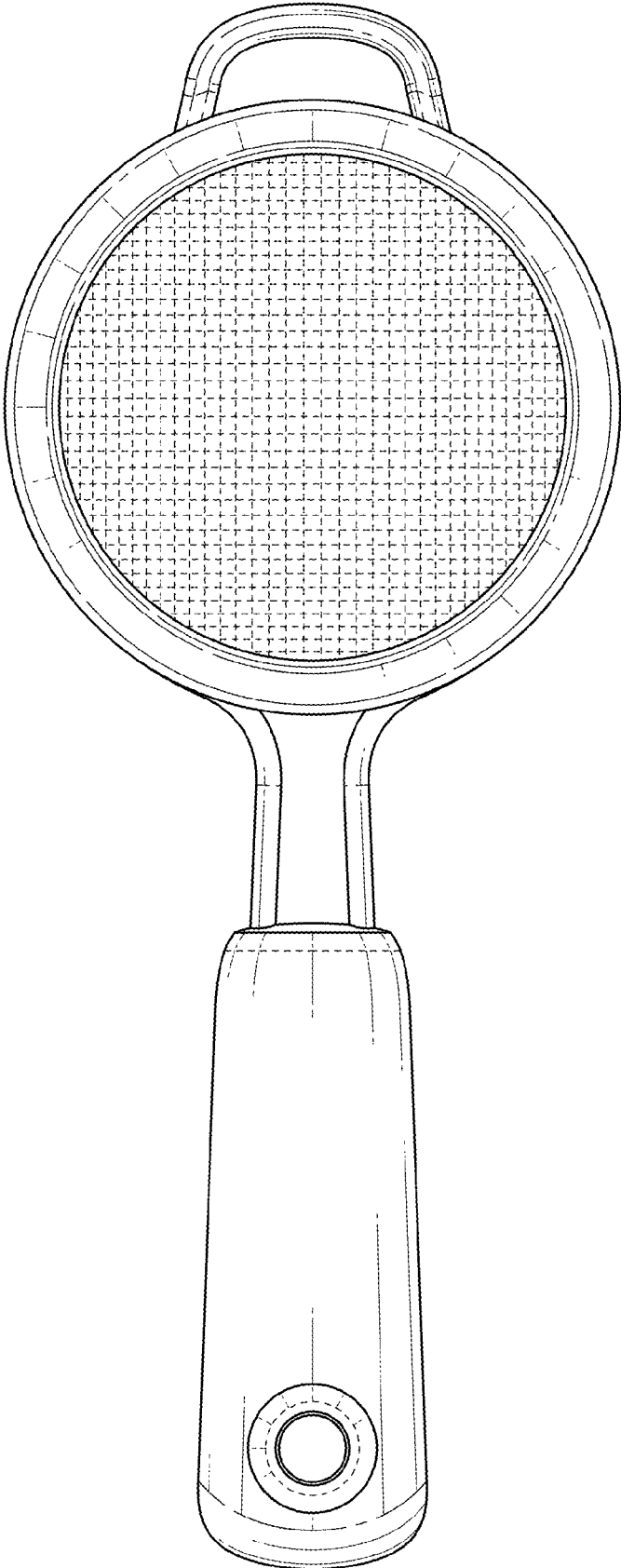


FIG. 2

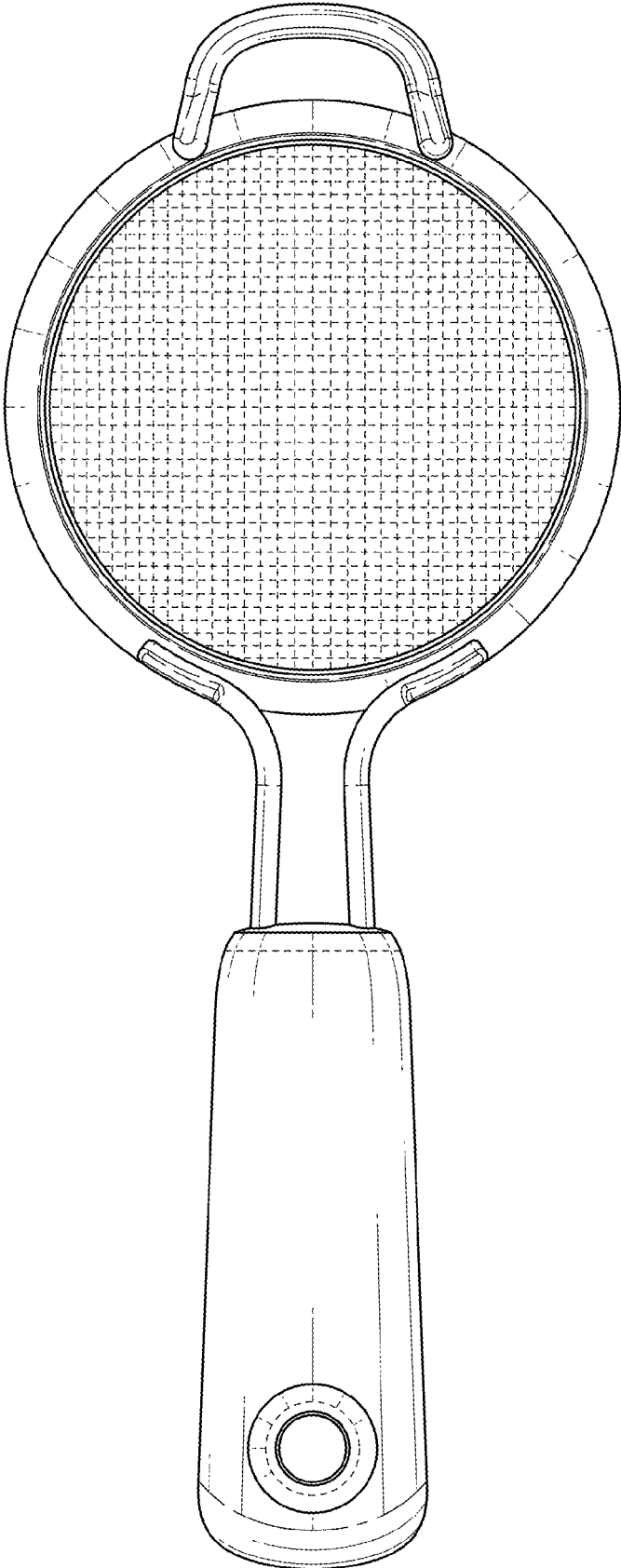


FIG. 3

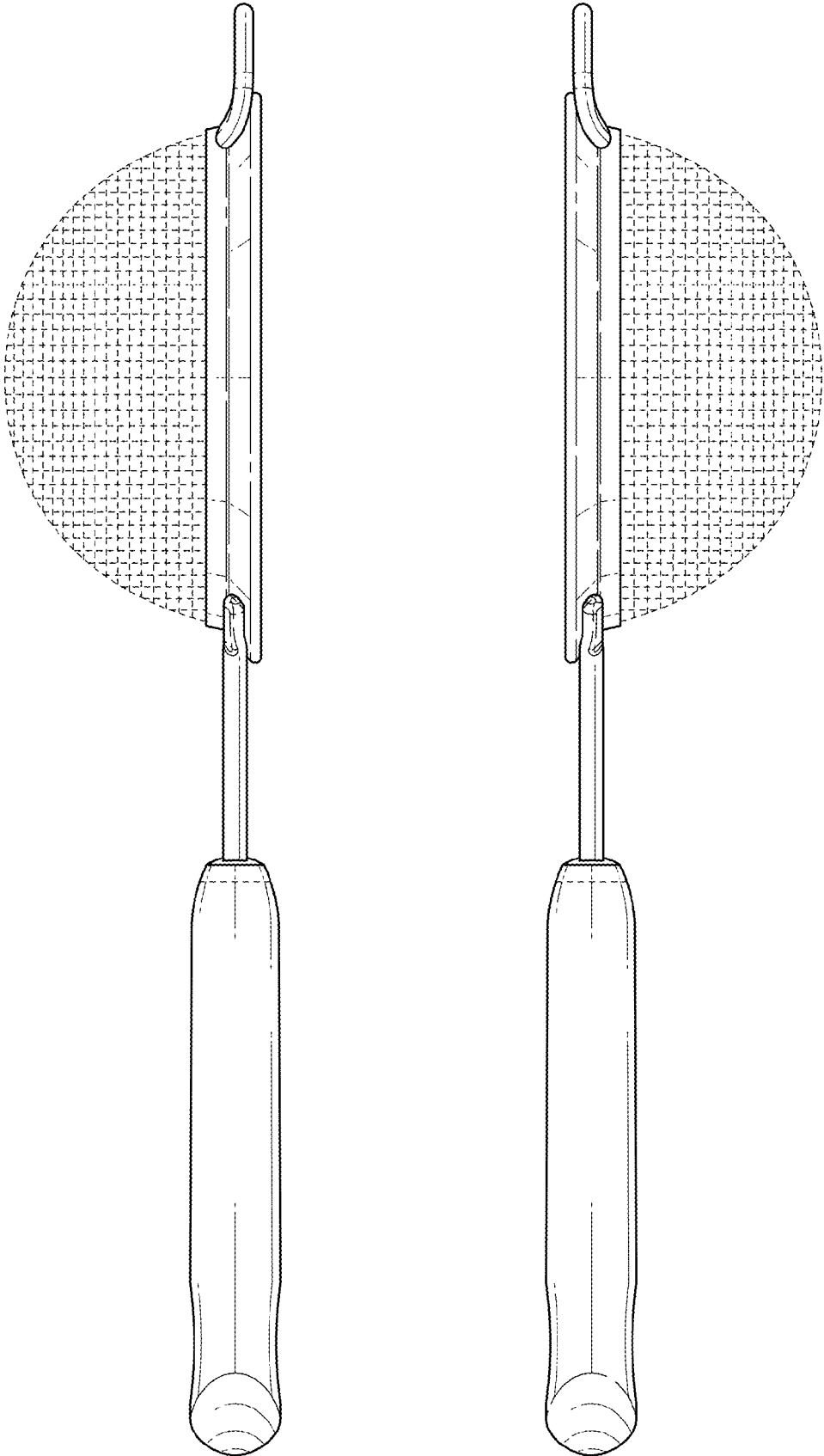


FIG. 4

FIG. 5

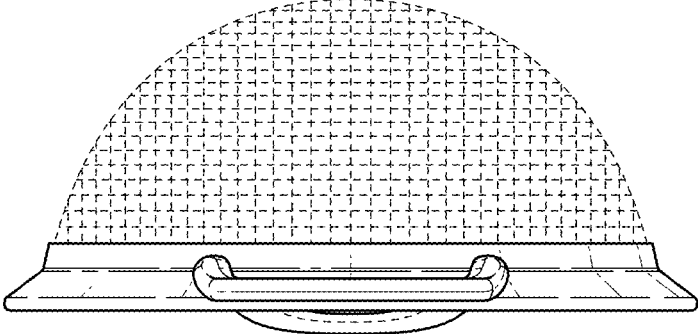


FIG. 6

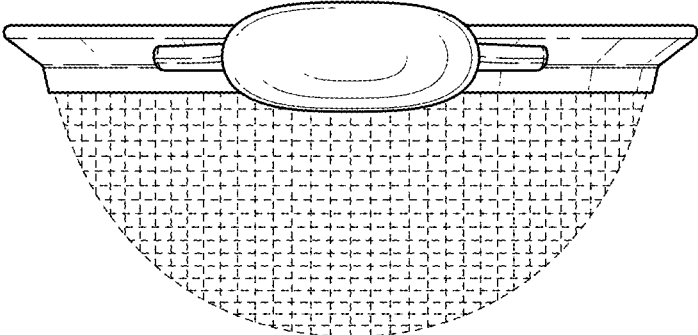


FIG. 7

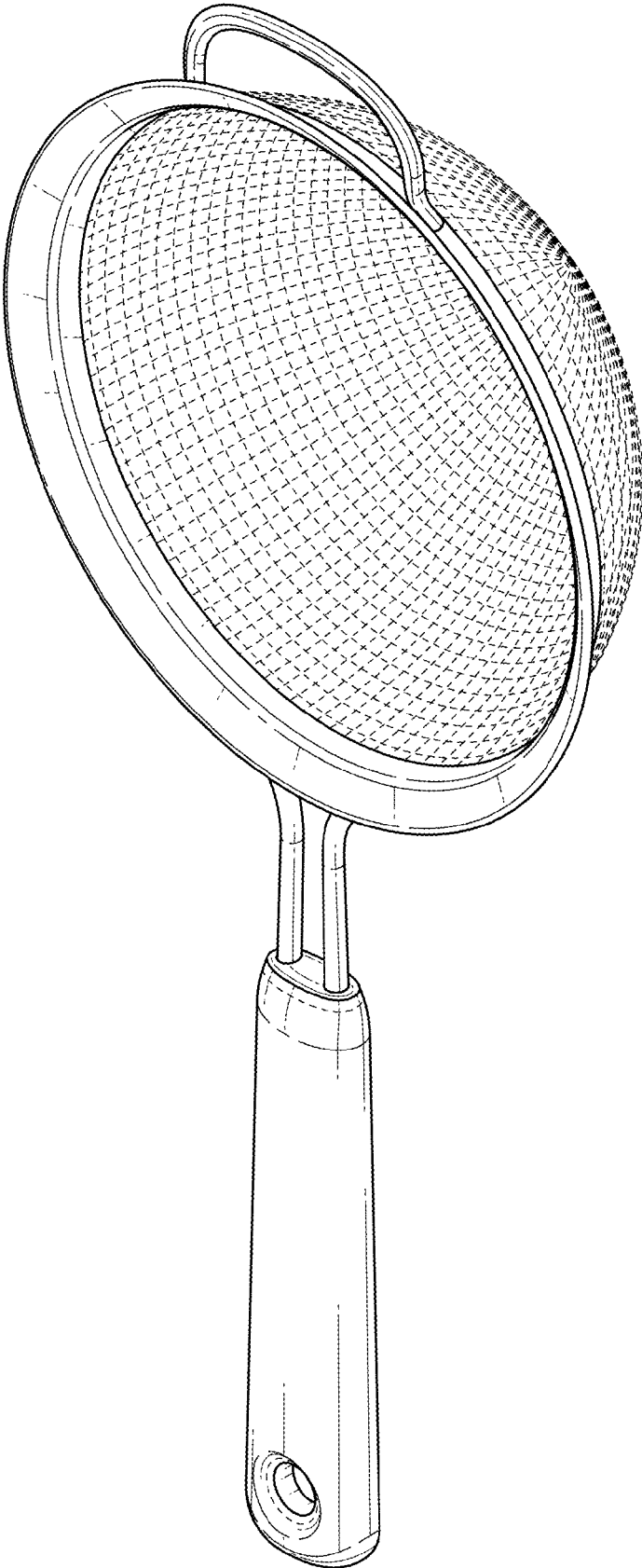


FIG. 8

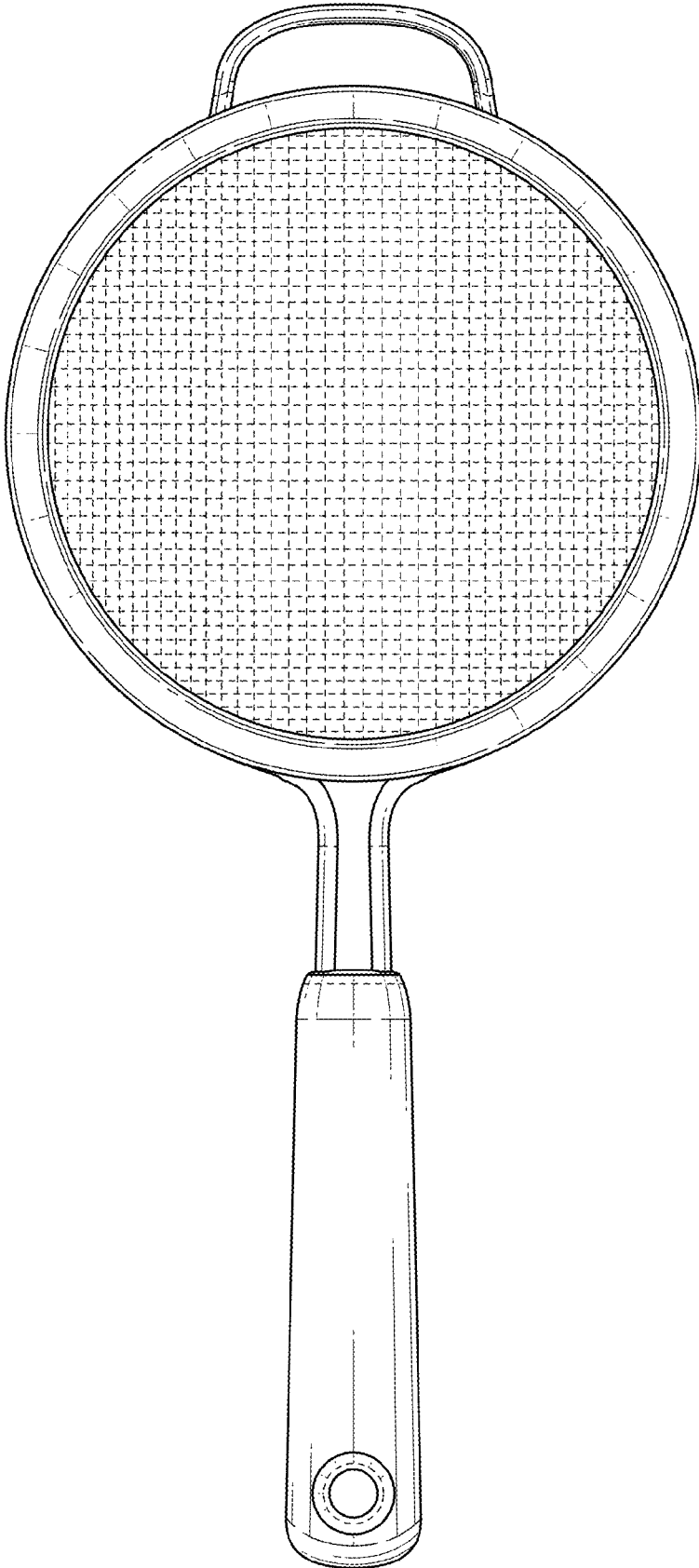


FIG. 9

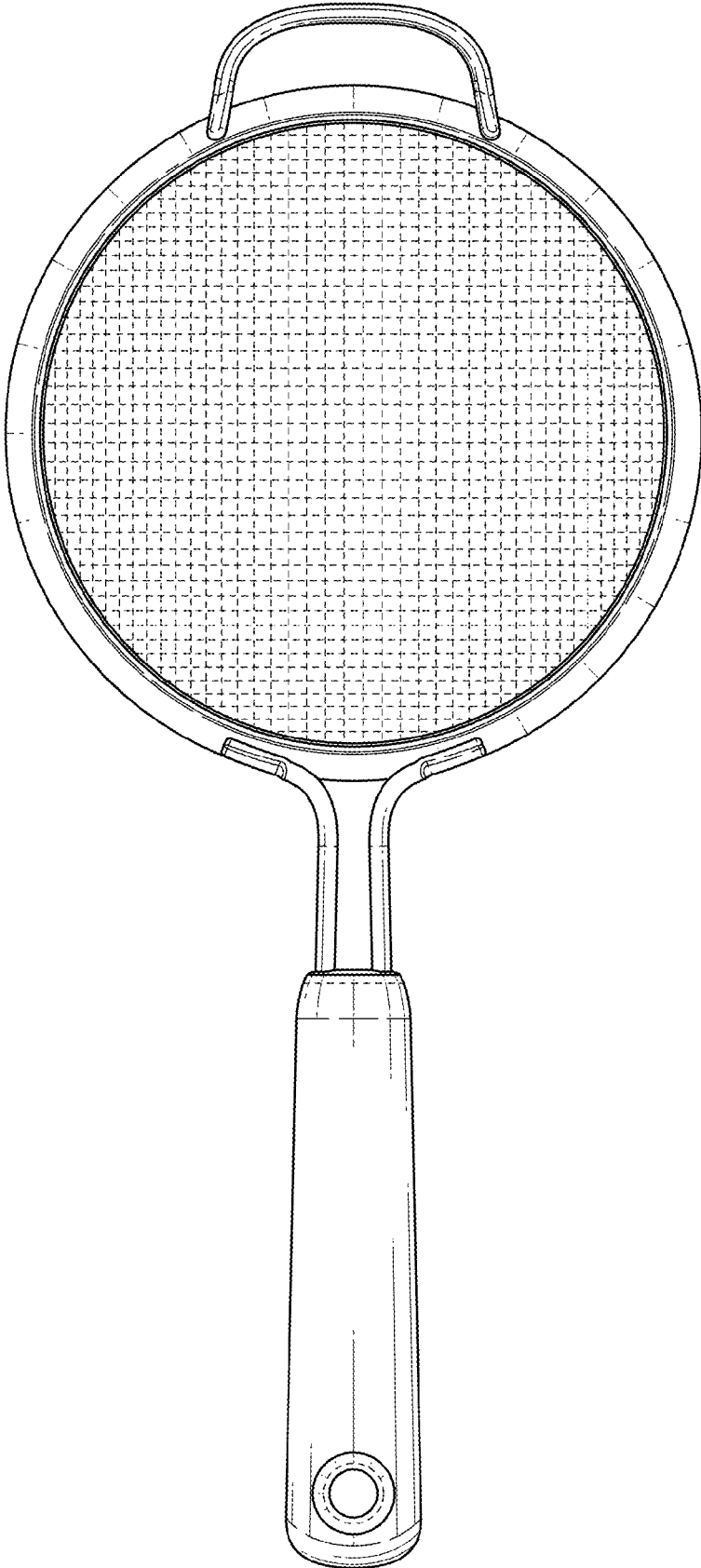


FIG. 10

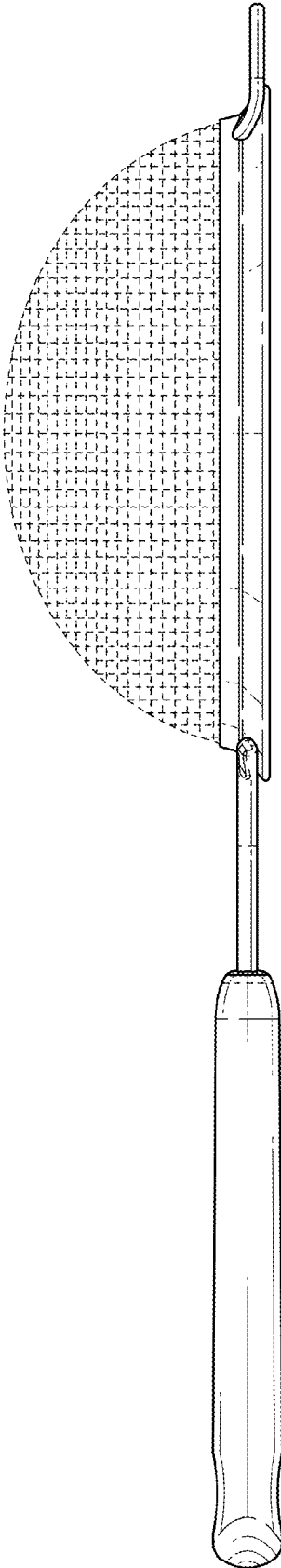


FIG. 11

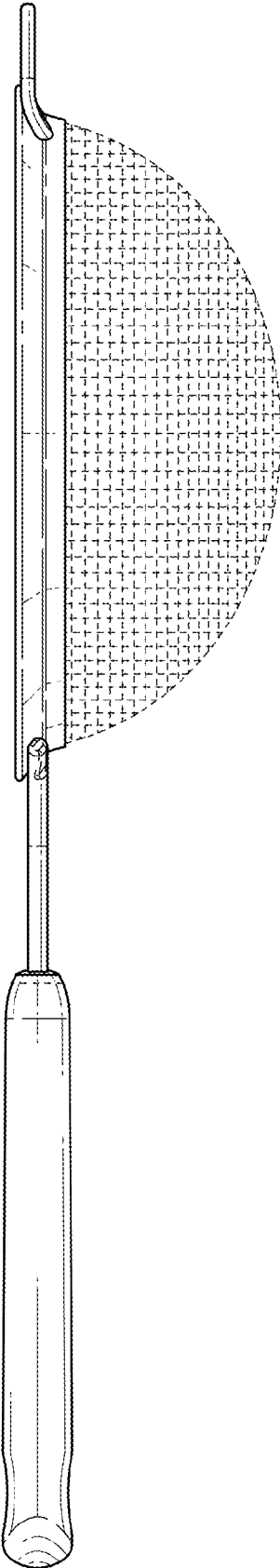


FIG. 12

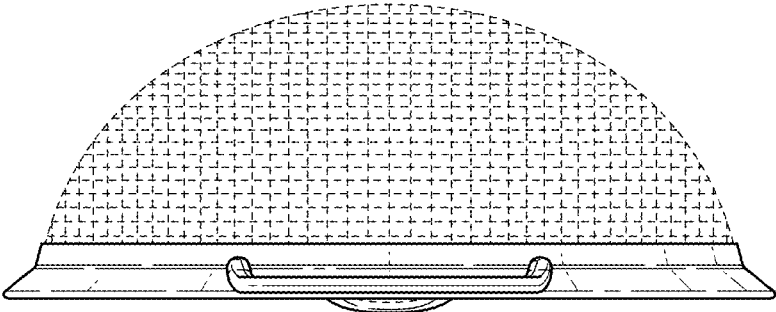


FIG. 13

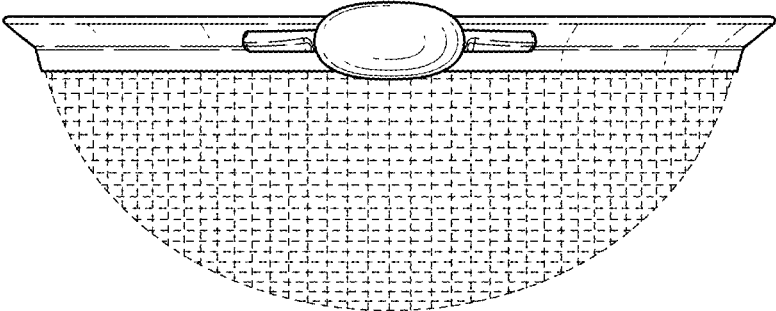


FIG. 14

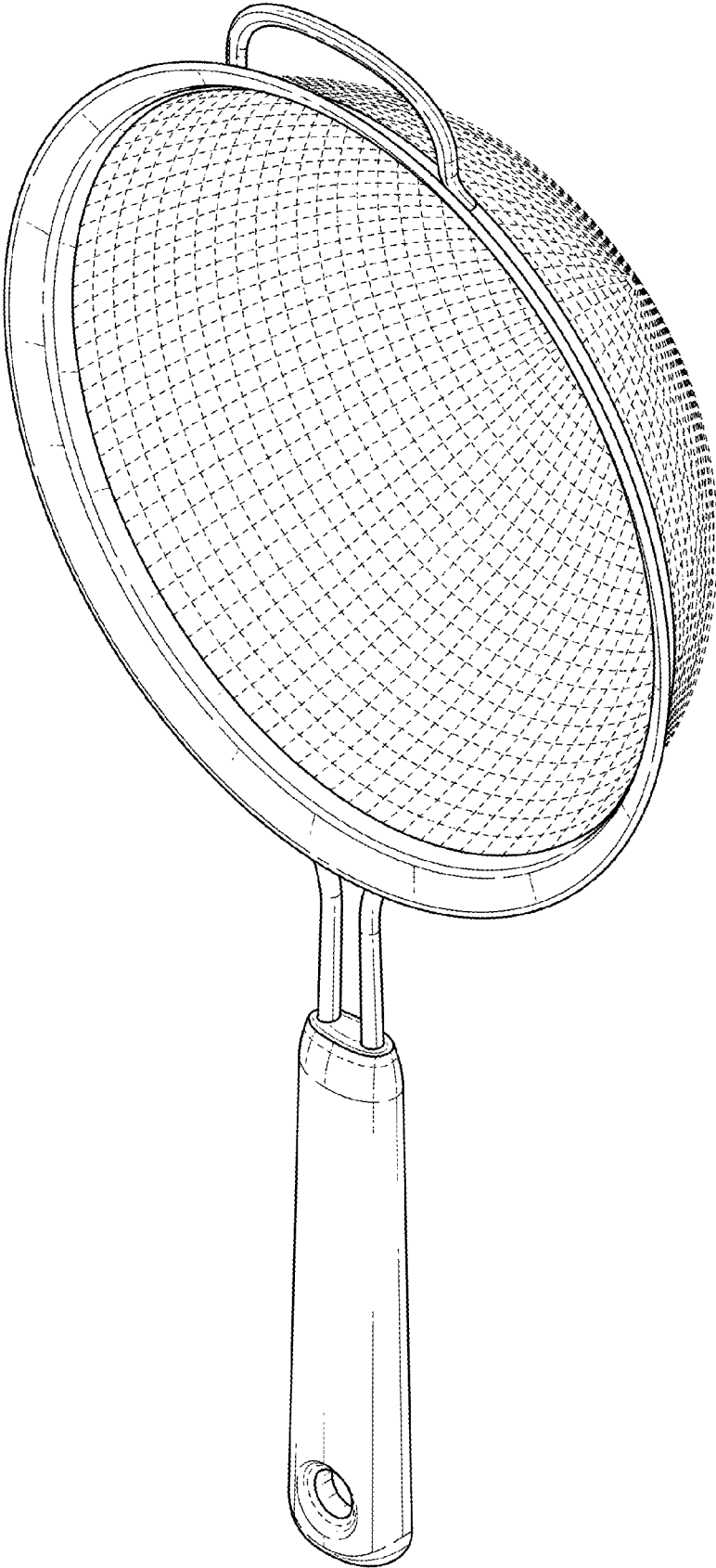


FIG. 15

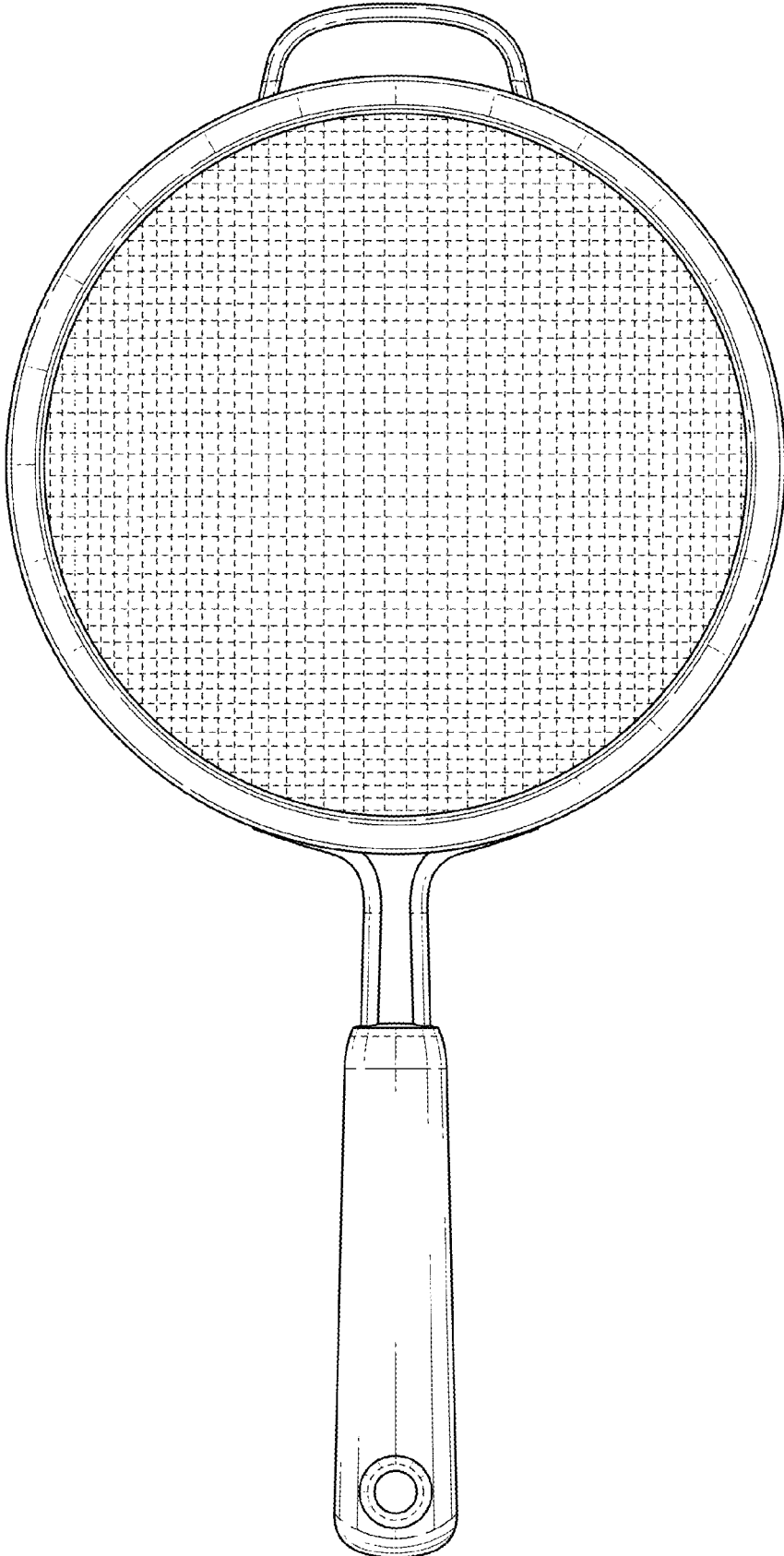


FIG. 16

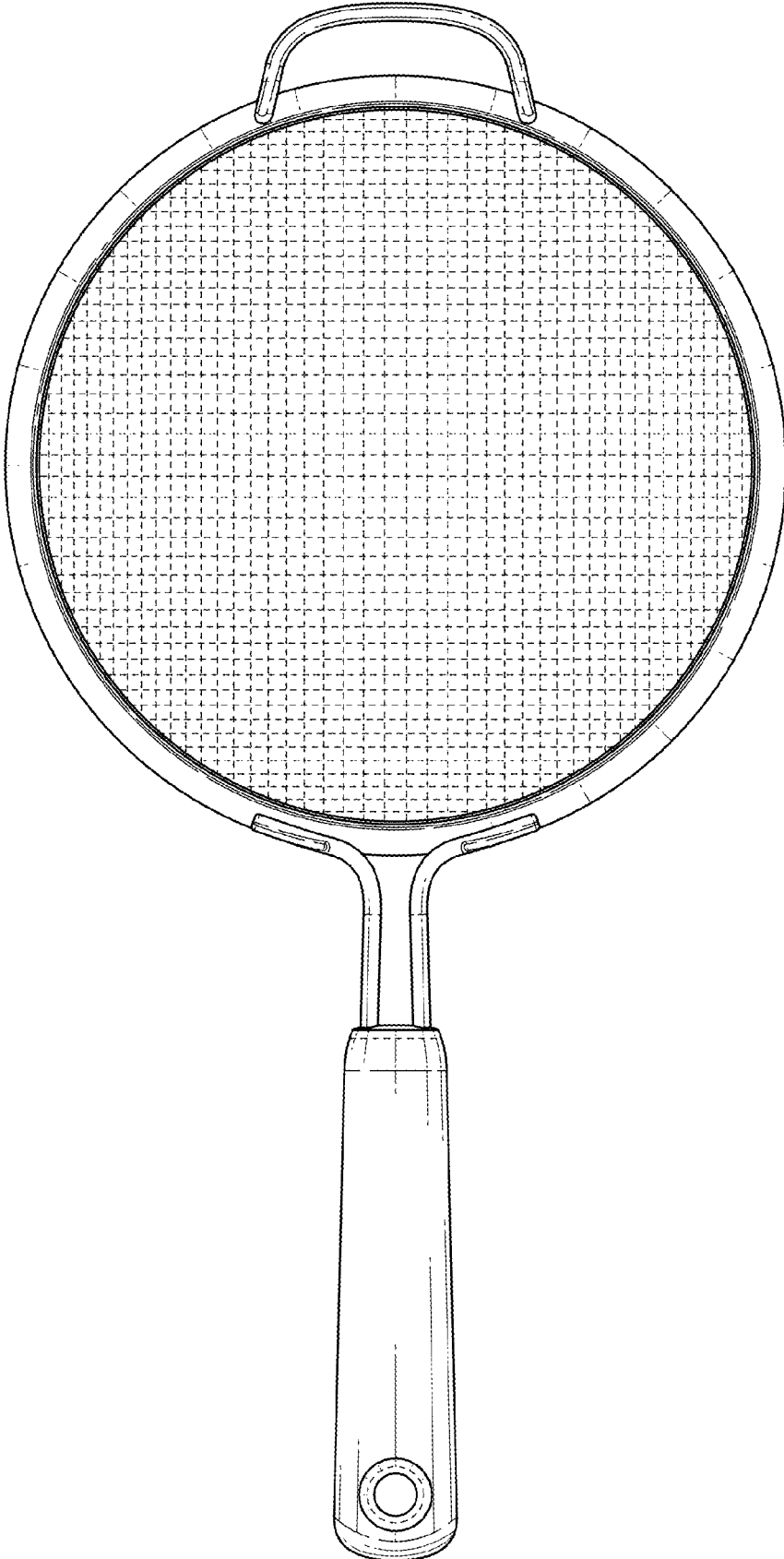


FIG. 17

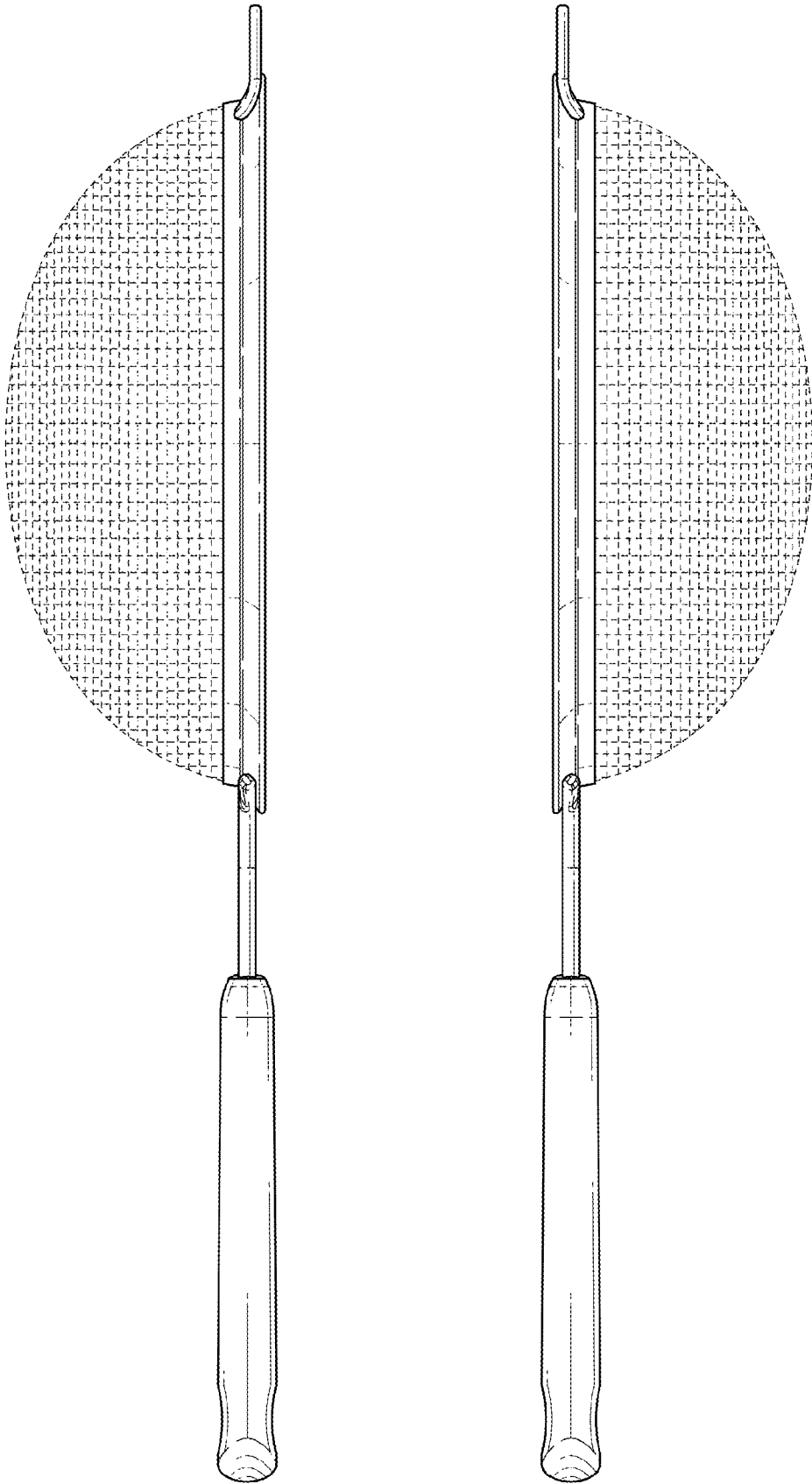


FIG. 18

FIG. 19

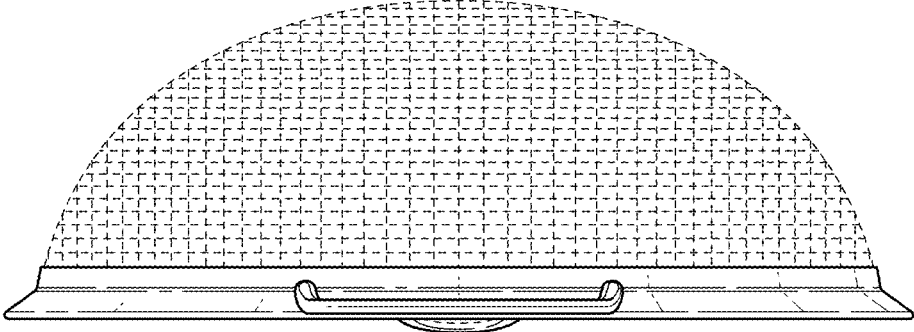


FIG. 20

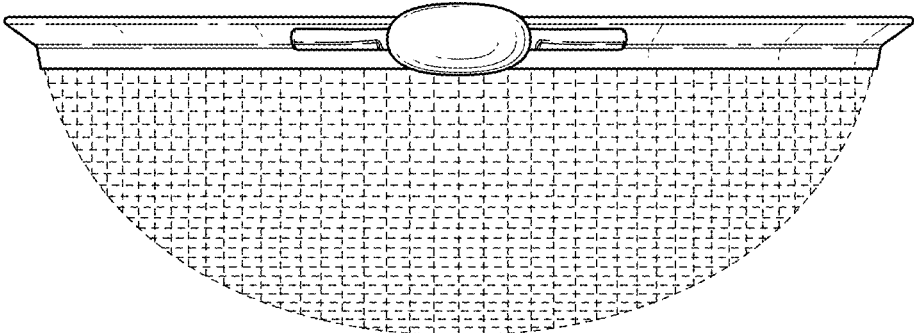


FIG. 21