



US0D1006480S

(12) **United States Design Patent**  
**Sill et al.**

(10) **Patent No.:** **US D1,006,480 S**

(45) **Date of Patent:** **\*\* Dec. 5, 2023**

(54) **BAG RACK**

(71) Applicant: **Inno-Pak, LLC**, Delaware, OH (US)

(72) Inventors: **Jonathan D. Sill**, Delaware, OH (US);  
**Christopher T. Sill**, Westerville, OH (US)

(73) Assignee: **Inno-Pak, LLC**, Delaware, OH (US)

(\*\*) Term: **15 Years**

(21) Appl. No.: **29/883,799**

(22) Filed: **Feb. 3, 2023**

**Related U.S. Application Data**

(62) Division of application No. 29/717,361, filed on Dec. 17, 2019.

(51) **LOC (14) Cl.** ..... **06-06**

(52) **U.S. Cl.**  
USPC ..... **D6/515**

(58) **Field of Classification Search**

USPC ..... D6/513, 515, 362, 574, 572, 566; D34/5  
CPC ..... A47F 1/00; B65B 5/04  
See application file for complete search history.

(56) **References Cited**

**U.S. PATENT DOCUMENTS**

2,682,956 A 7/1954 Pike  
2,891,676 A 6/1959 Miller  
3,055,508 A 9/1962 Reeser  
3,180,557 A 4/1965 Thulin  
3,200,959 A 8/1965 Them

(Continued)

**FOREIGN PATENT DOCUMENTS**

CA 88553 1/2000  
CA 115592 9/2007

(Continued)

**OTHER PUBLICATIONS**

Counter Top T-Shirt Bag Rack/Retail Plastic Bag Dispenser & Holder—Bag Stand with Base—1 Unit <https://a.co/d/2Plidoh>, Apr. 10, 2018 (Year: 2018).

(Continued)

*Primary Examiner* — Jennifer L Rempfer

*Assistant Examiner* — Bethany Louise Mallino

(74) *Attorney, Agent, or Firm* — Ward and Smith, P.A.;  
Ryan K. Simmons

(57) **CLAIM**

The ornamental design for a bag rack, as shown and described.

**DESCRIPTION**

FIG. 1 is a perspective view of a bag rack showing a new design;

FIG. 2 is a left side elevation view thereof, the right side being a mirror image;

FIG. 3 is a rear elevation view thereof;

FIG. 4 is a front elevation view thereof;

FIG. 5 is a top plan view thereof;

FIG. 6 is a bottom plan view thereof;

FIG. 7 is another perspective view thereof, showing the bag rack shown with a plurality of bags thereon;

FIG. 8 is a left side elevation view thereof, the right side being a mirror image;

FIG. 9 is a rear elevation view thereof;

FIG. 10 is a front elevation view thereof;

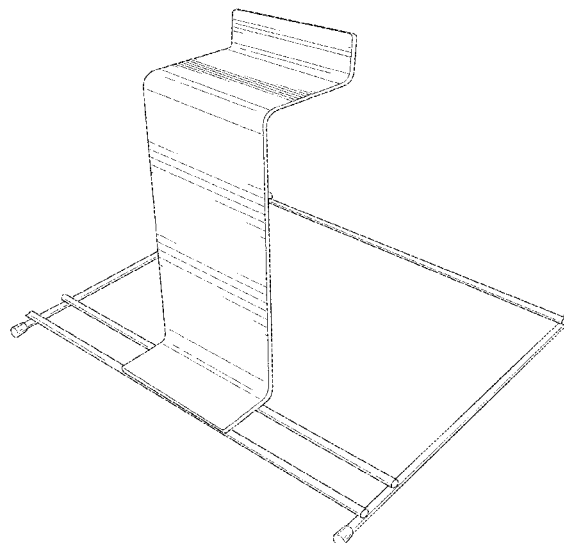
FIG. 11 is a top plan view thereof;

FIG. 12 is a bottom plan view thereof; and,

FIG. 13 is front perspective view thereof, showing the bag rack with a plurality of bags thereon and showing a bag in an open configuration.

The dashed lines shown in the drawings are for environmental purposes only and form no part of the claimed design.

**1 Claim, 13 Drawing Sheets**



(56)

References Cited

U.S. PATENT DOCUMENTS

3,334,766 A 8/1967 Rogus  
 3,514,015 A 5/1970 Hein  
 3,759,505 A 9/1973 Callanan  
 3,806,146 A 4/1974 Shaw  
 4,031,689 A 6/1977 Sullivan  
 4,198,652 A 4/1980 Malik  
 4,199,122 A 4/1980 Christie  
 4,241,561 A 12/1980 Suominen  
 D264,651 S 6/1982 Adamson  
 D273,159 S 3/1984 Adamson  
 4,458,867 A 7/1984 Malik  
 4,487,388 A 12/1984 Provan  
 4,498,652 A \* 2/1985 Malik ..... B65B 67/1227  
 D34/6  
 D280,871 S \* 10/1985 Provan ..... D6/678.4  
 4,623,111 A 11/1986 Prader  
 4,723,743 A 2/1988 Jenkins  
 4,730,799 A 3/1988 Foss et al.  
 4,750,694 A 6/1988 Bateman  
 4,821,985 A 4/1989 Dematteis et al.  
 4,830,317 A 5/1989 Kober et al.  
 4,840,336 A 6/1989 Stroh et al.  
 4,846,586 A 7/1989 Bruno  
 4,915,248 A 4/1990 Chap  
 4,926,748 A 5/1990 Smith et al.  
 5,014,944 A 5/1991 Malik et al.  
 5,018,691 A 5/1991 King  
 D319,124 S 8/1991 Harjung  
 D319,125 S 8/1991 Currie  
 D324,748 S 3/1992 Bagamery  
 5,100,000 A 3/1992 Huseman  
 5,169,101 A 12/1992 Wenzel et al.  
 D332,333 S 1/1993 Wenzel et al.  
 5,213,145 A 5/1993 Huang et al.  
 D362,577 S 9/1995 Green  
 5,465,846 A 11/1995 Blyth et al.  
 5,469,969 A 11/1995 Huang  
 D372,826 S 8/1996 Hecker  
 5,682,730 A 11/1997 Dobreski  
 5,788,080 A 8/1998 Sill et al.  
 6,042,063 A 3/2000 Kerr et al.  
 D428,544 S 7/2000 Moffitt  
 6,536,951 B1 3/2003 Sill  
 7,066,389 B2 6/2006 Dickover et al.  
 7,175,139 B2 2/2007 Broeders

D552,901 S 10/2007 Wilfong, Jr.  
 D553,320 S 10/2007 Rosen  
 D571,518 S 6/2008 Waldman  
 7,611,019 B2 11/2009 Alvarado  
 7,926,669 B2 4/2011 Alvarado  
 D699,966 S 2/2014 Sill et al.  
 9,415,886 B2 8/2016 Sill et al.  
 9,511,889 B2 12/2016 Sill et al.  
 RE47,317 E 3/2019 Sill et al.  
 D948,891 S \* 4/2022 Bojaxhi ..... D34/5  
 2005/0105832 A1 5/2005 Trinko et al.  
 2006/0175475 A1 8/2006 Desantis  
 2006/0204148 A1 9/2006 Kohn  
 2007/0176058 A1 8/2007 Kohn et al.  
 2007/0186515 A1 8/2007 Ruetten et al.  
 2009/0261050 A1 10/2009 Curren  
 2010/0067831 A1 3/2010 Alvarado et al.  
 2011/0108499 A1 5/2011 So  
 2011/0180496 A1 7/2011 Hernberg et al.  
 2012/0080565 A1 4/2012 Gallup  
 2012/0125970 A1 5/2012 Tsui  
 2013/0223766 A1 8/2013 Gebhardt  
 2013/0330163 A1 12/2013 Marsh  
 2014/0263121 A1 9/2014 Metcalfe et al.  
 2014/0318085 A1 10/2014 Sill et al.  
 2015/0048039 A1 2/2015 Laitila et al.  
 2015/0128535 A1 5/2015 McInnis  
 2021/0179308 A1 \* 6/2021 Sill ..... B65D 33/001

FOREIGN PATENT DOCUMENTS

DE 1844267 U 12/1961  
 GB 2100248 3/2001  
 KR 301089673.0000 1/2021

OTHER PUBLICATIONS

AWP CA-TSBR17 T-Shirt ½ Bag Rack, Chrome, (Pack of 2) <https://a.co/d/0J11dt>, Apr. 27, 2018 (Year: 2018).  
 Baggeroo Plastic Grocery Bag Holder Support Frame <https://a.co/d/9Z7OQKM>, Amazon customer review date Sep. 10, 2017 (Year: 2017).  
 Plastic Grocery Bag Holder—Fits 11½" W x21" H Bag—Unit Measures 12" Wx12" Lx16" H—Chrome Checkout Shopping Bag Stand with PVC Plastic Base <https://a.co/d8WM18gm>, Feb. 9, 2013 (Year: 2013).

\* cited by examiner

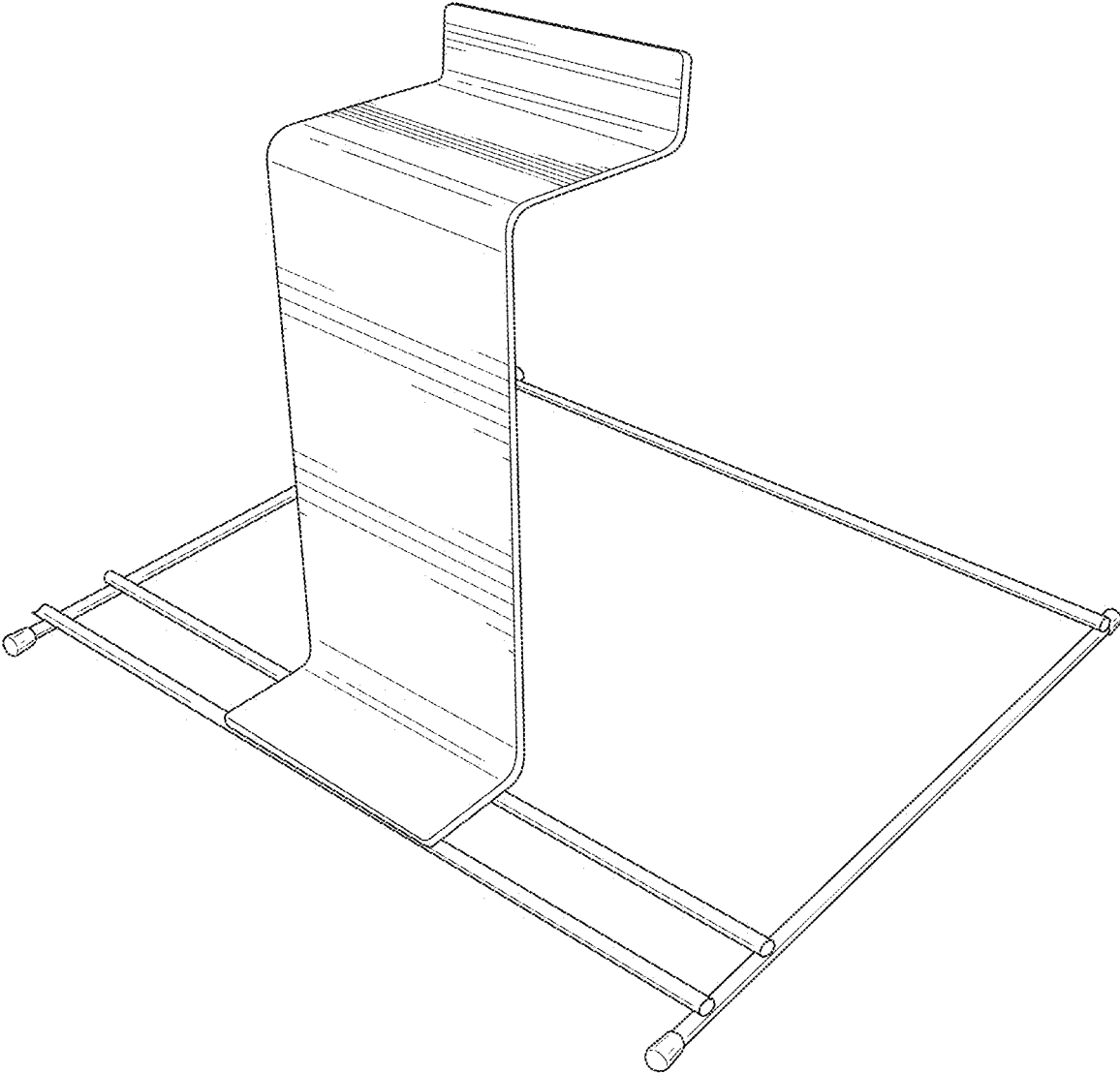


FIG. 1

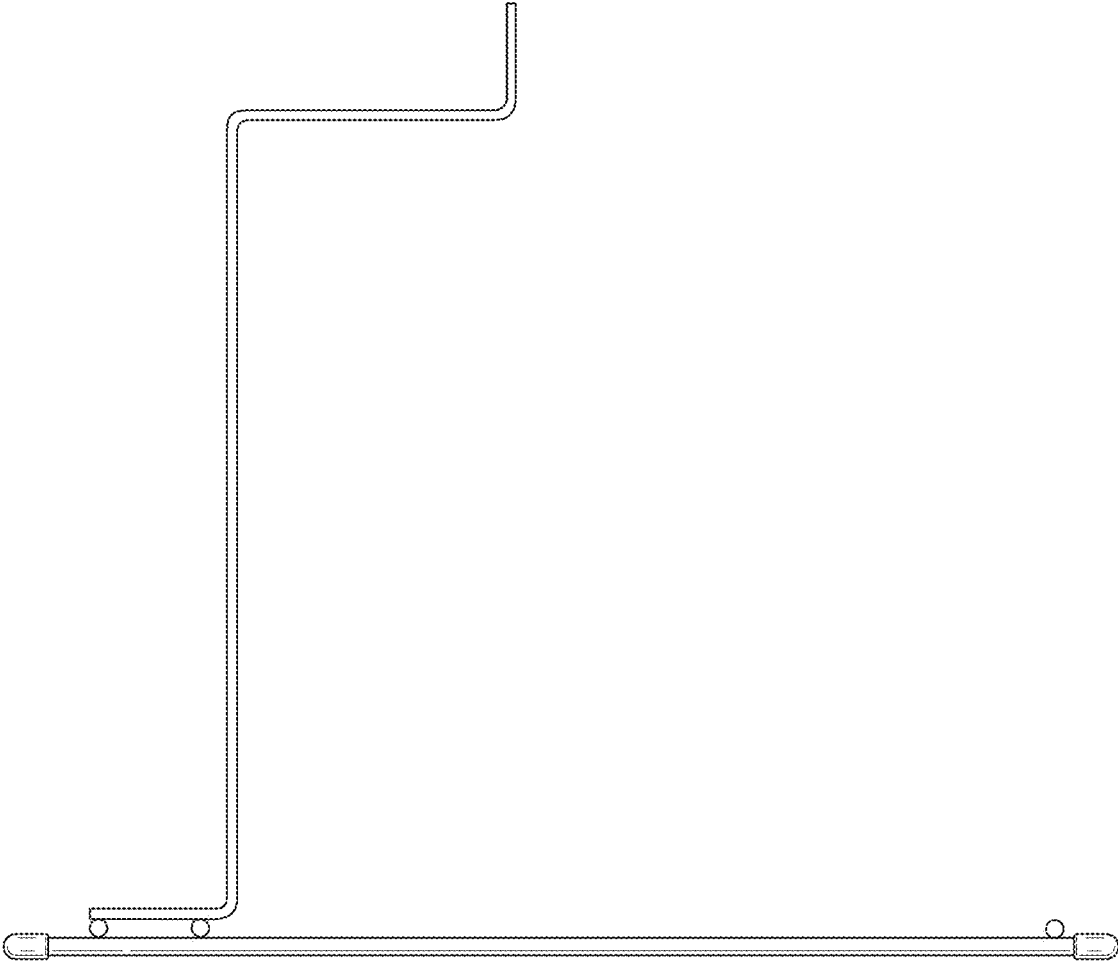


FIG. 2

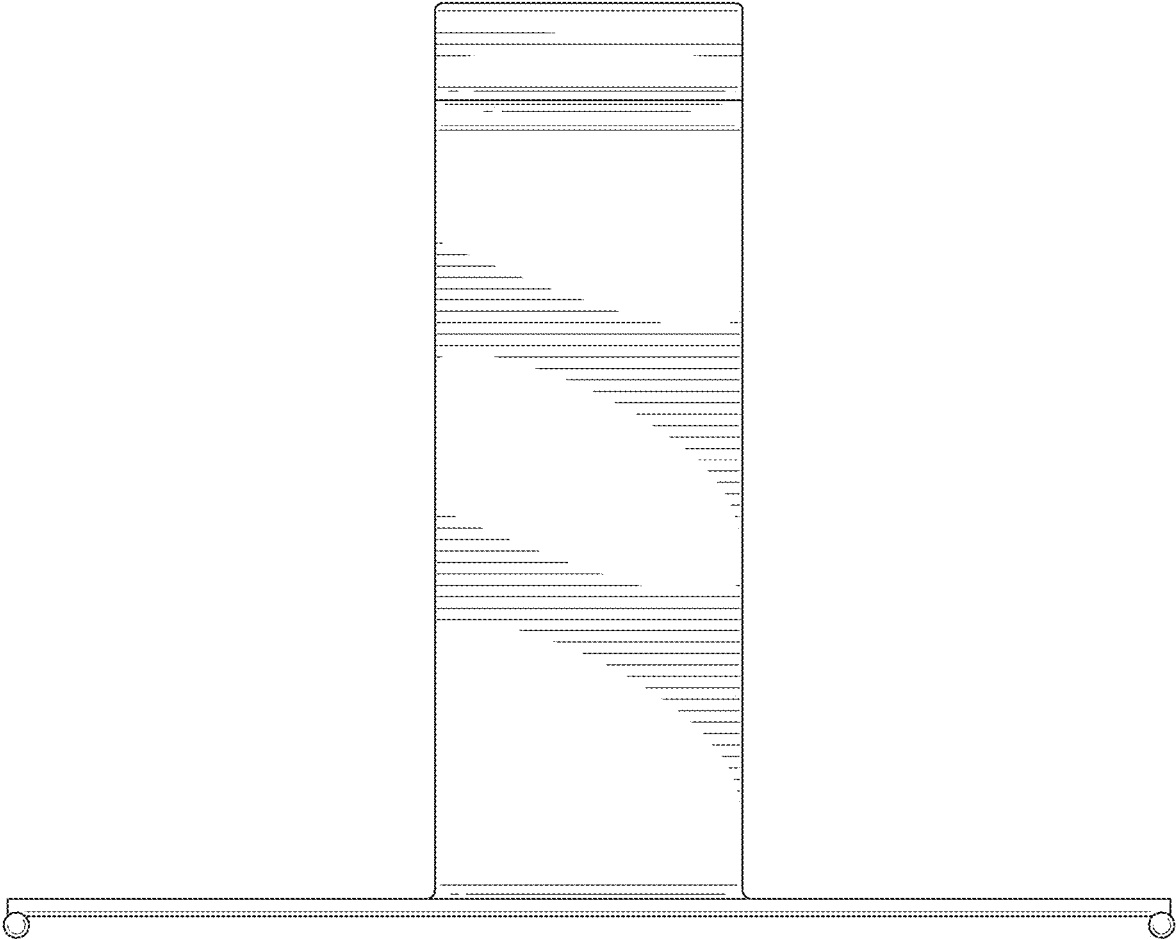


FIG. 3

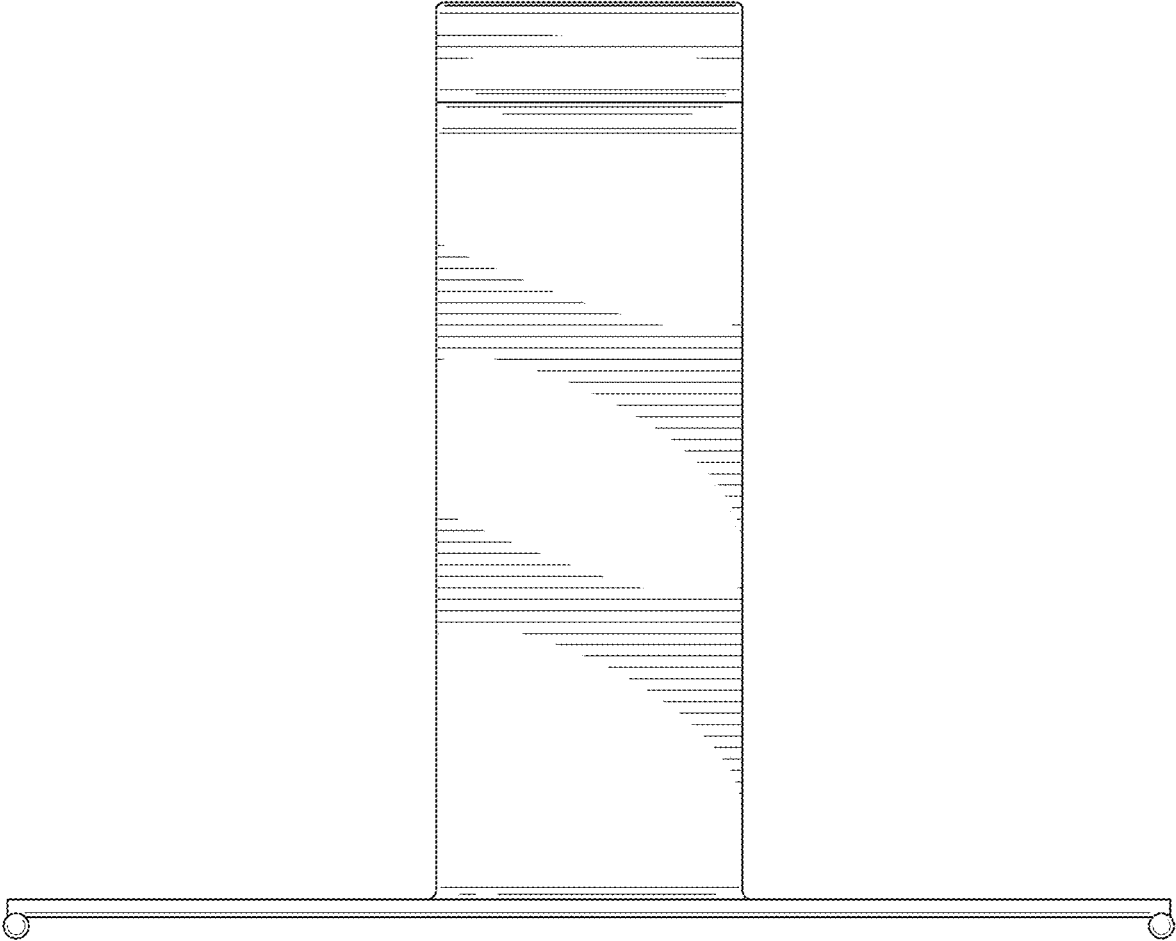


FIG. 4

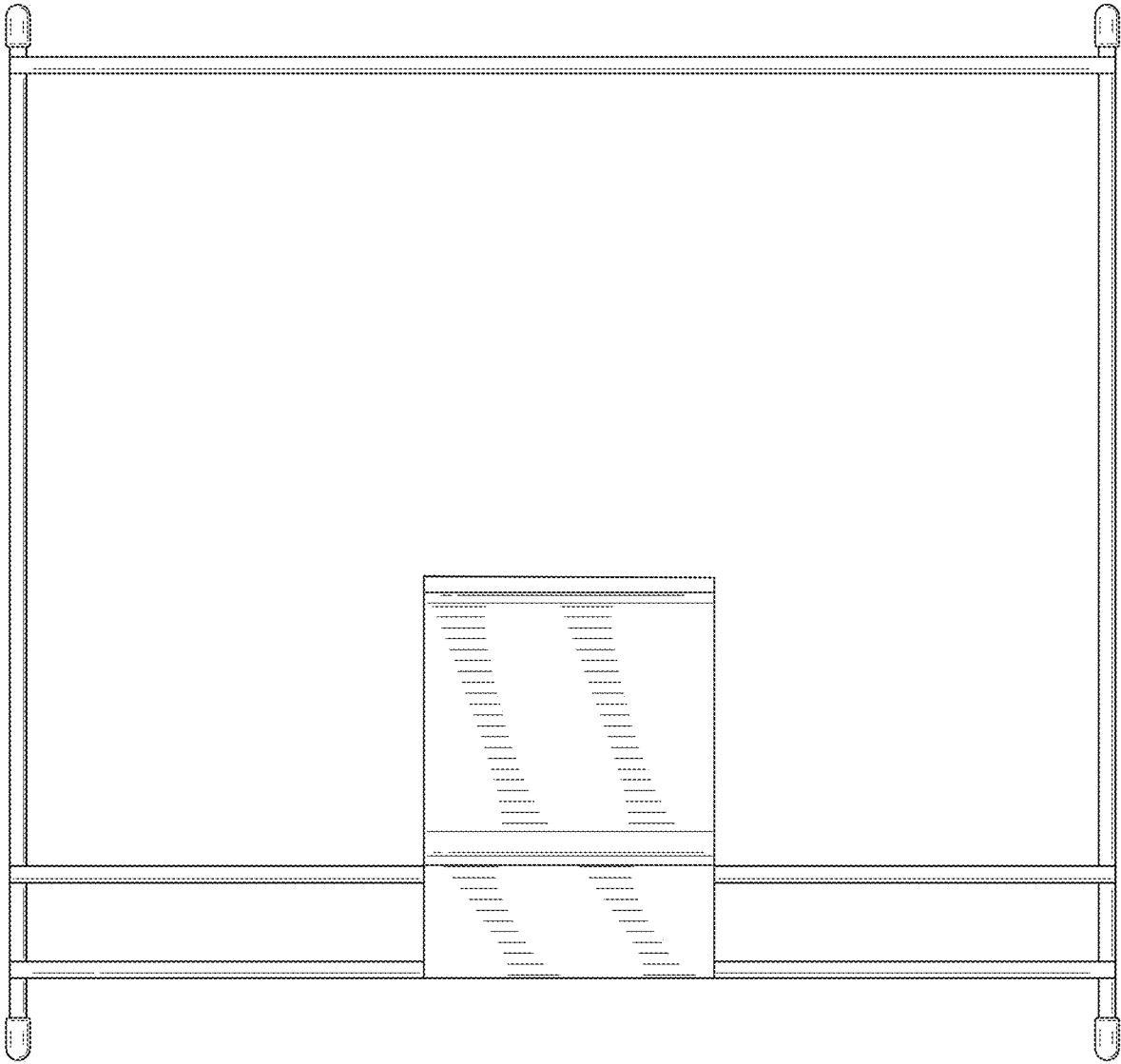


FIG. 5

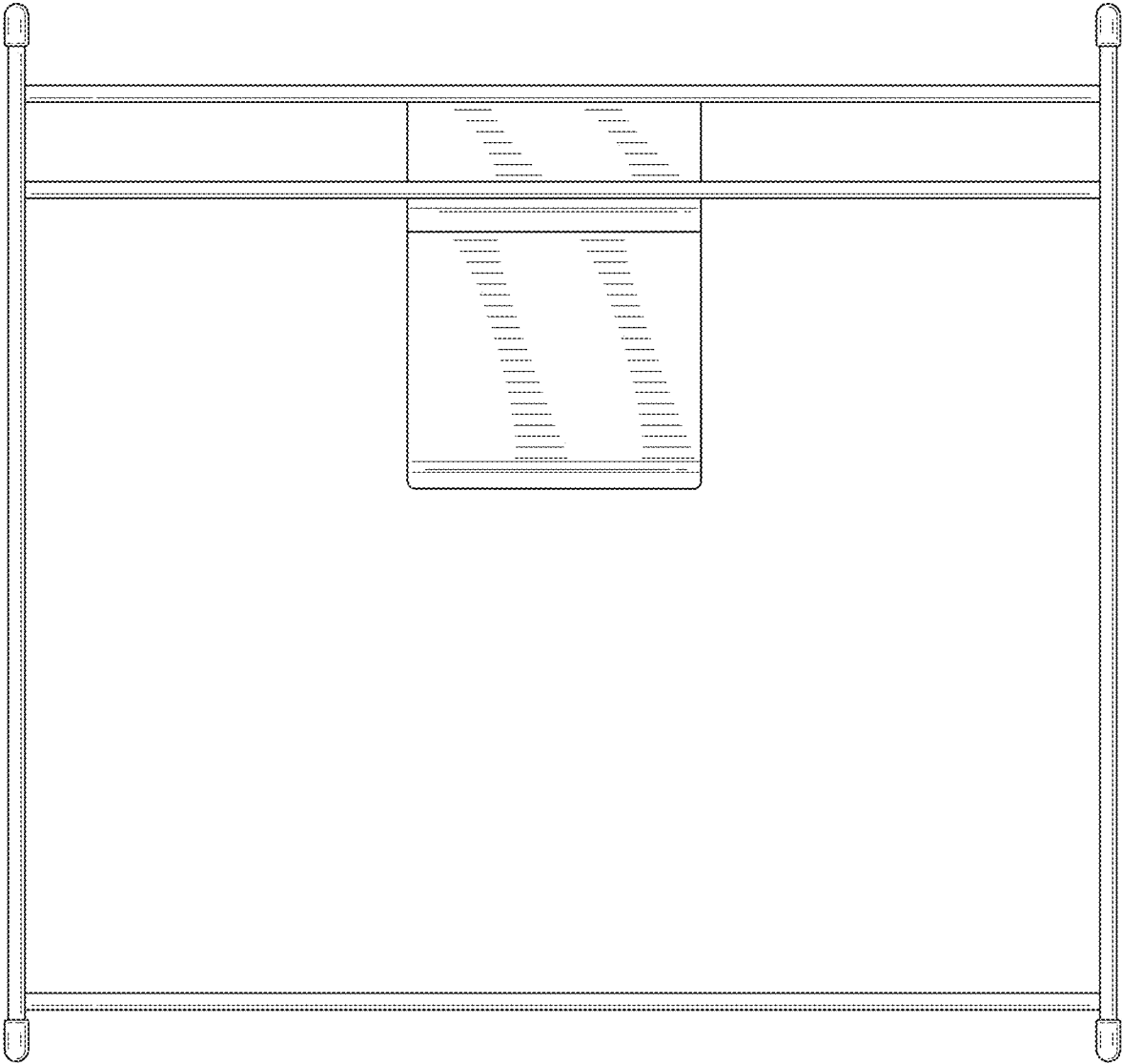


FIG. 6



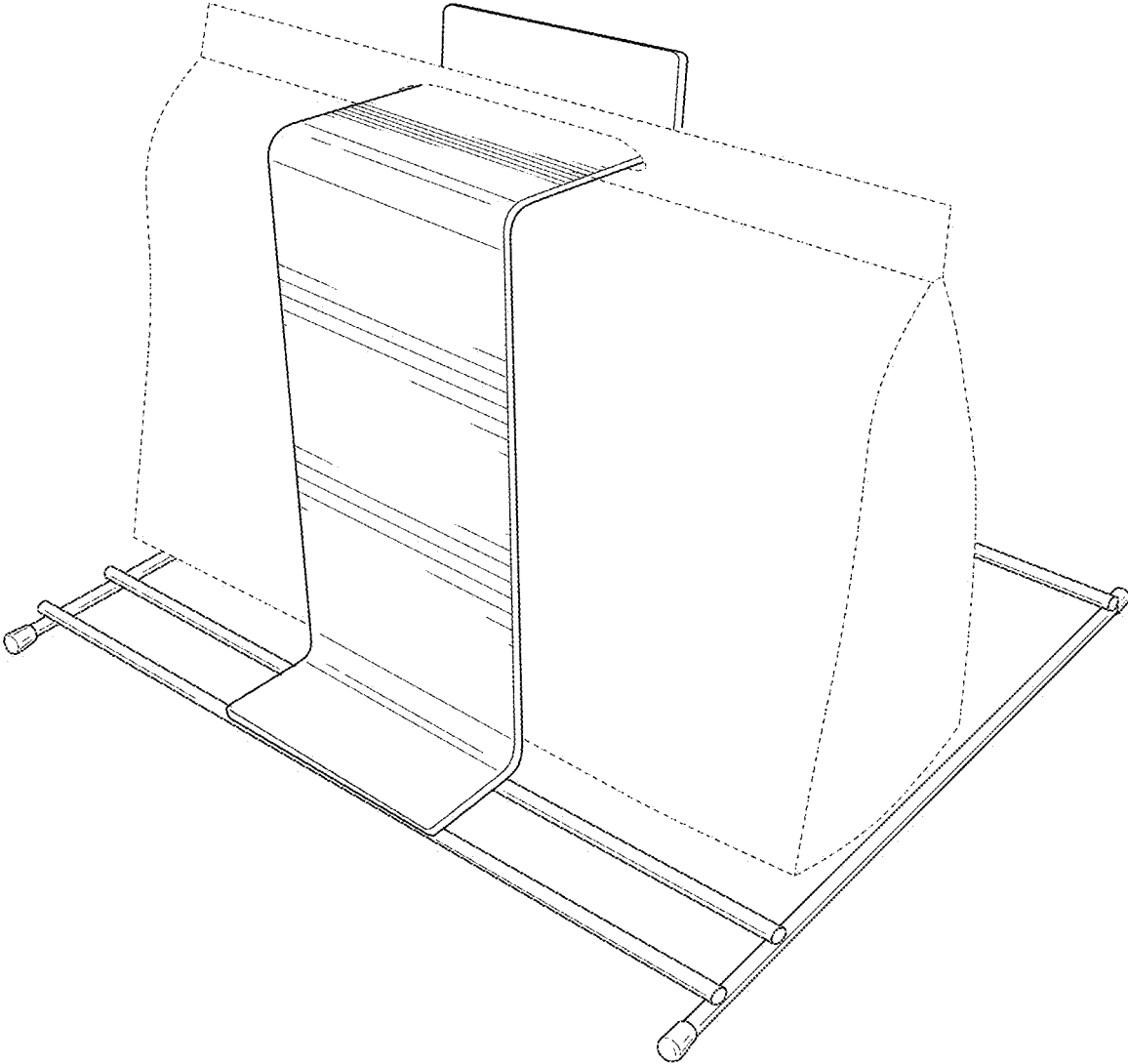


FIG. 7

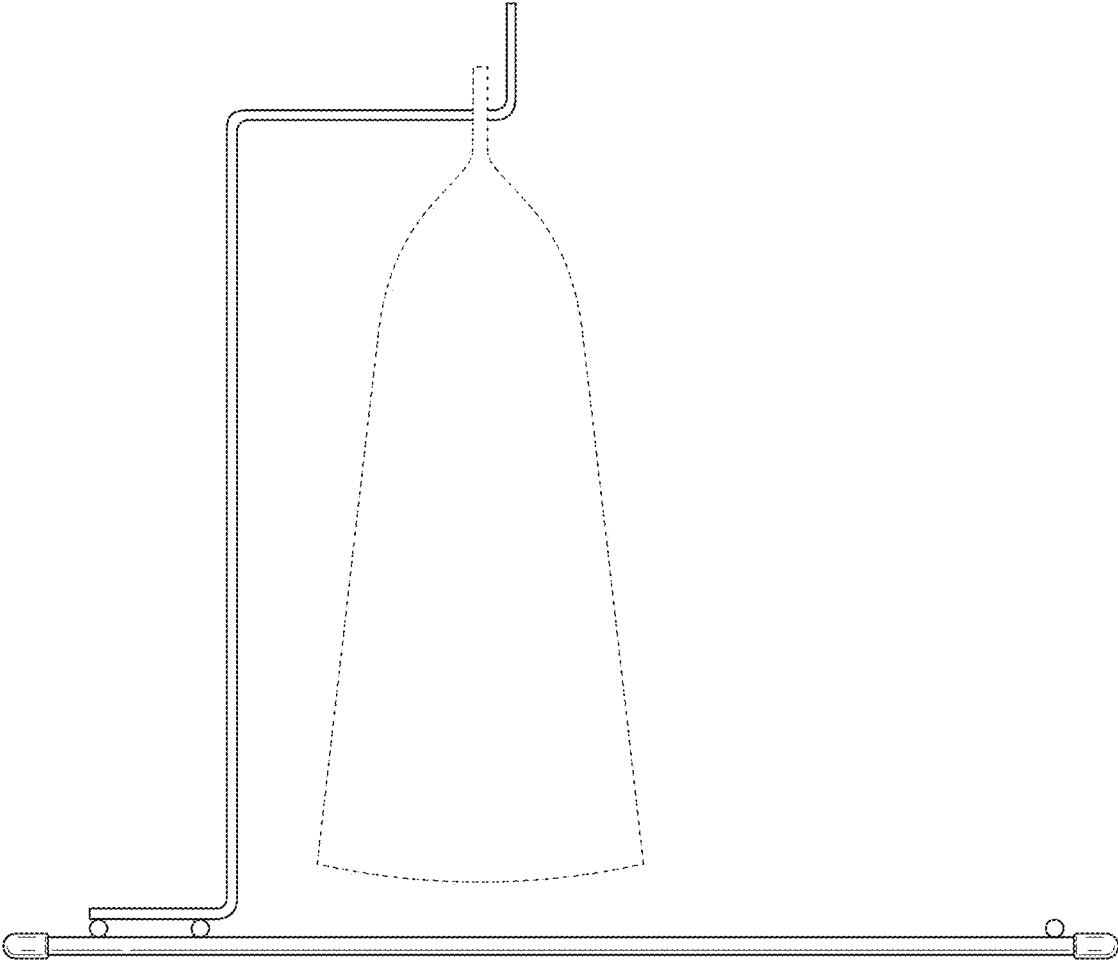


FIG. 8

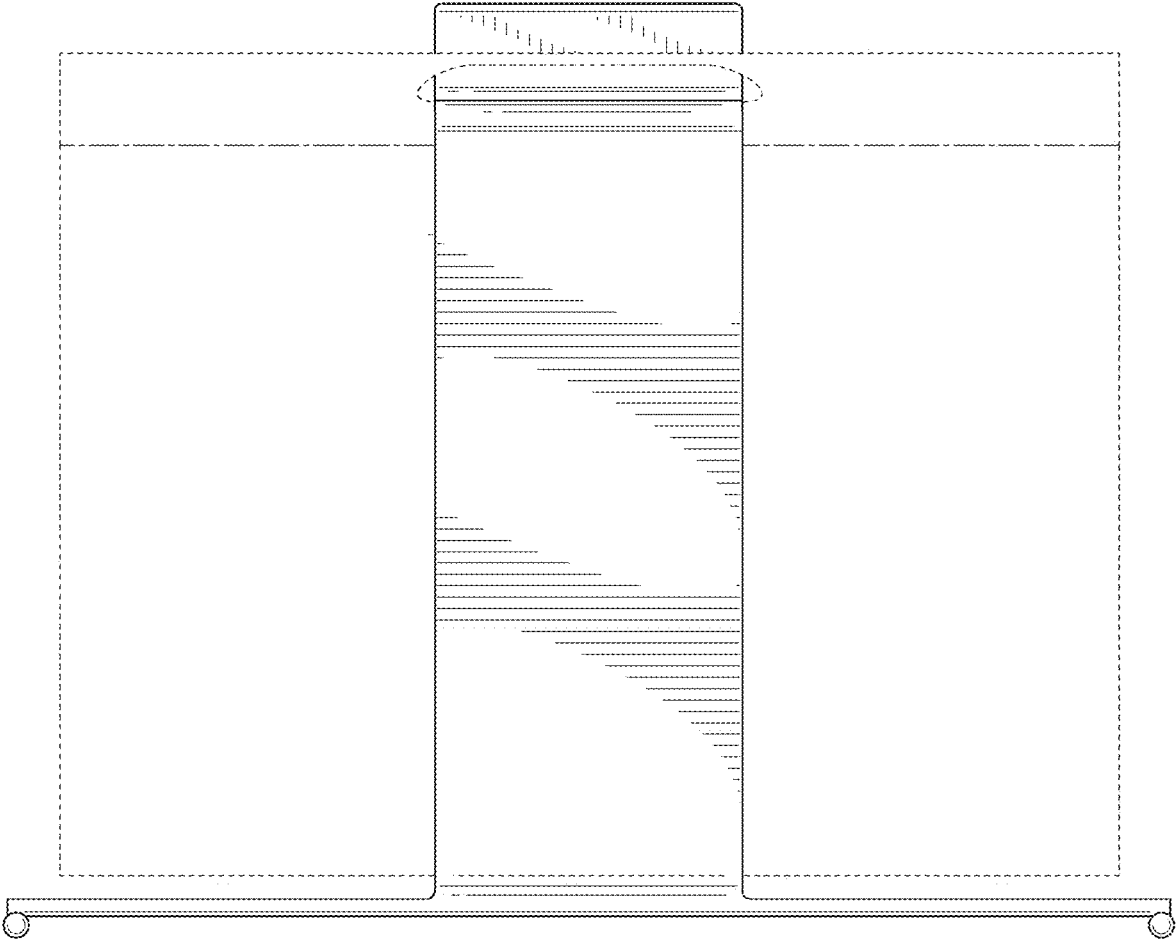


FIG. 9

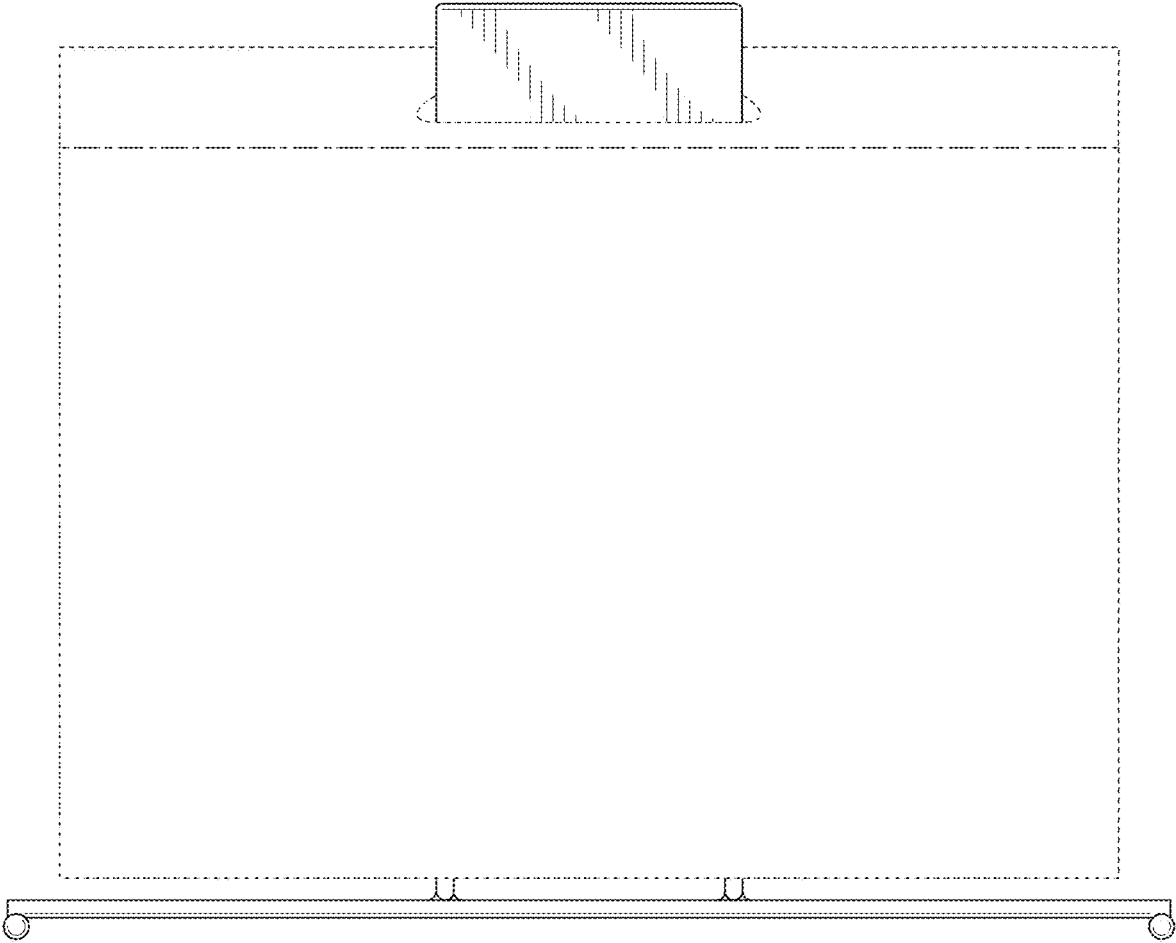


FIG. 10

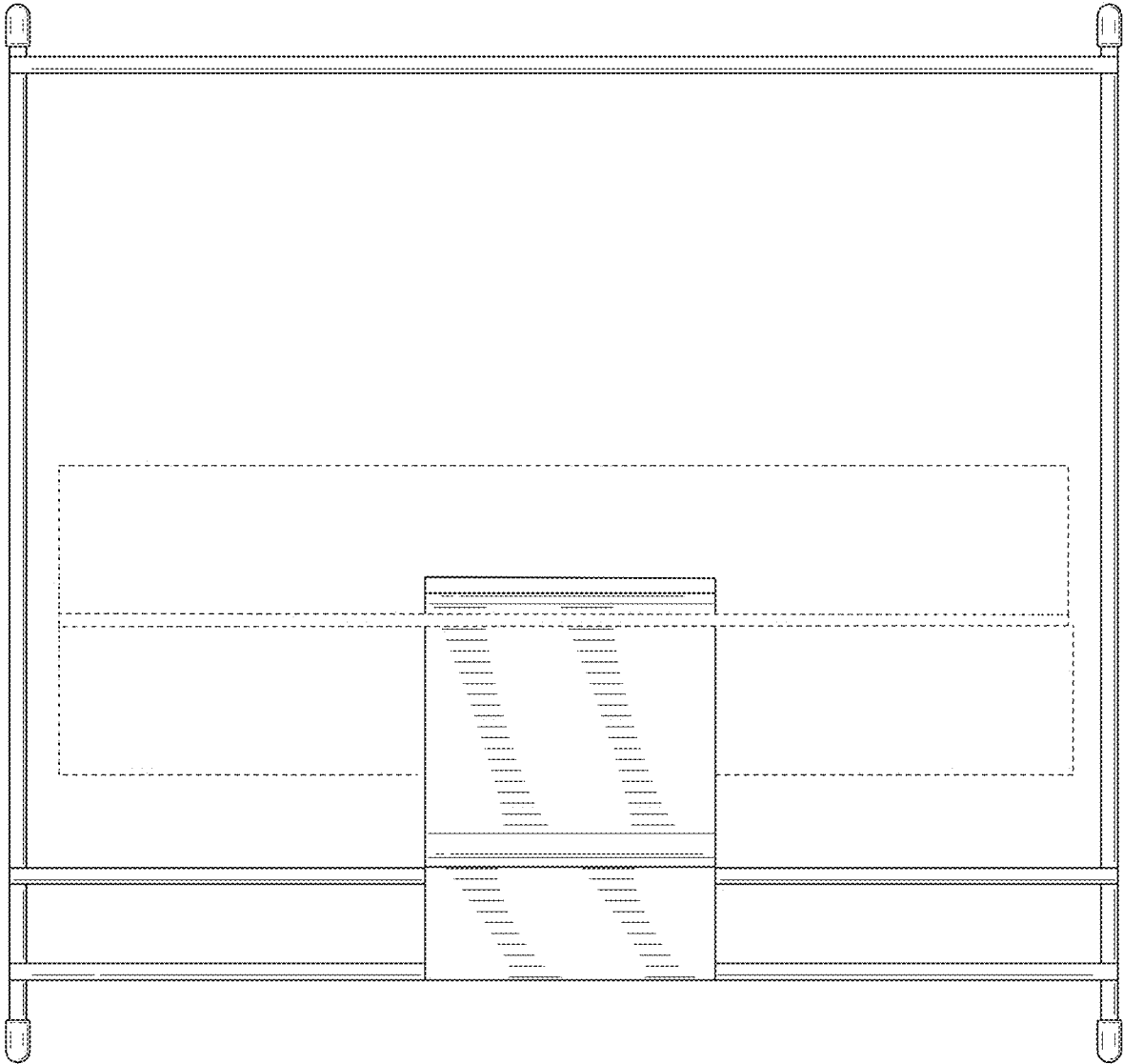


FIG. 11

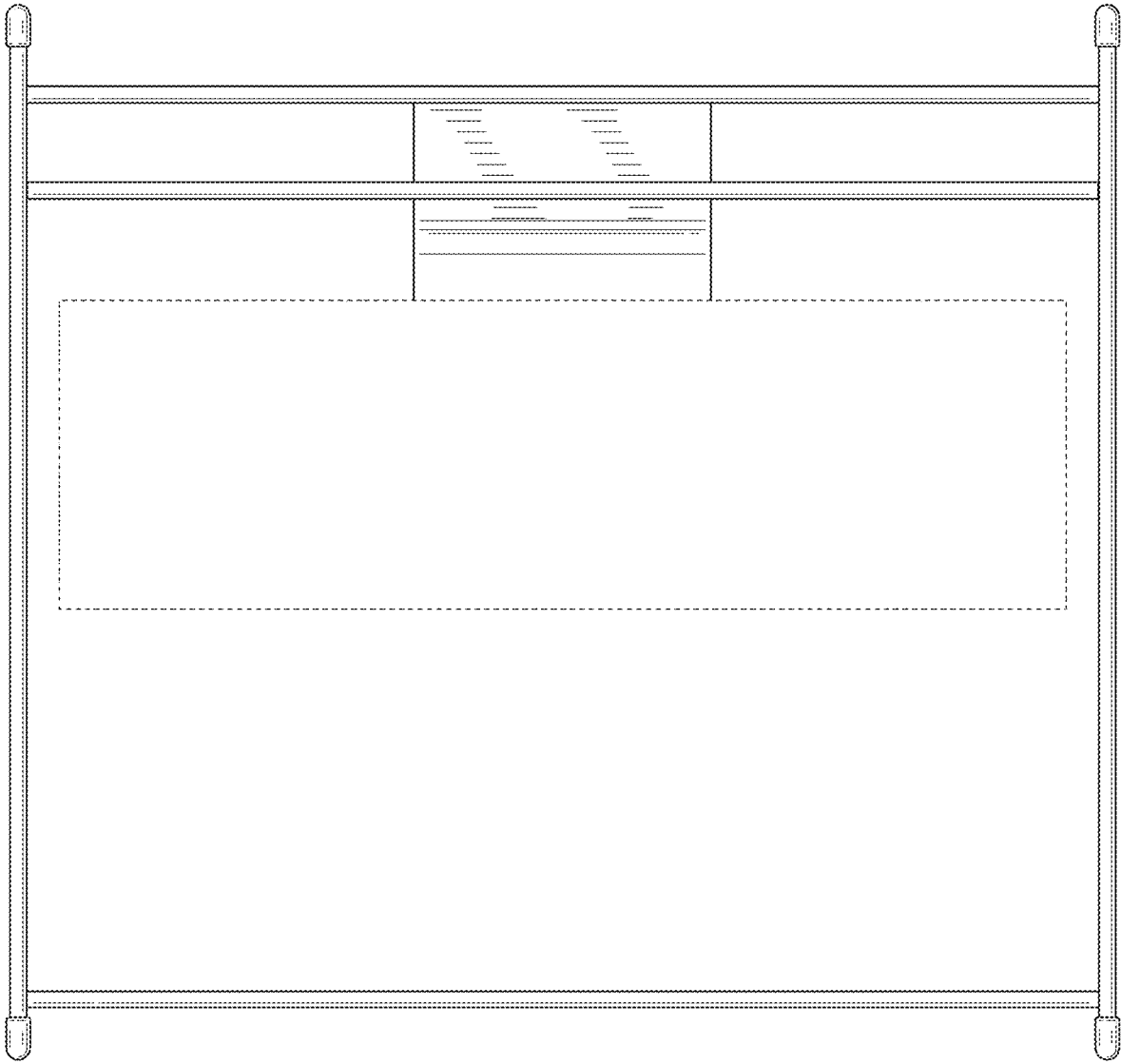


FIG. 12

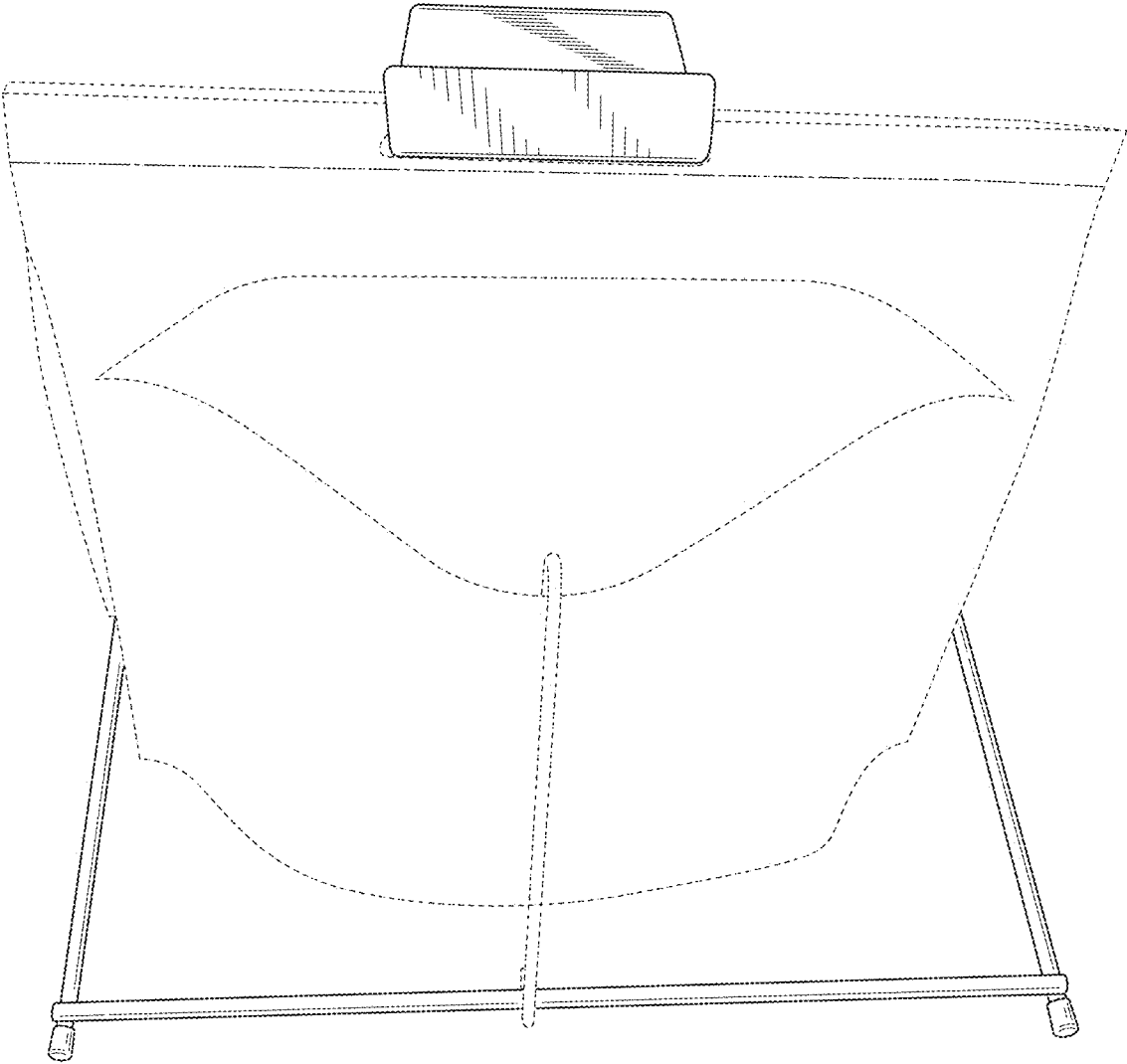


FIG. 13