



US00D850883S

(12) **United States Design Patent**  
**Buckley et al.**

(10) **Patent No.:** **US D850,883 S**

(45) **Date of Patent:** **\*\* Jun. 11, 2019**

(54) **TOOL HANDLE**

6,612,768 B2 9/2003 Zorzo  
D482,588 S \* 11/2003 Lai ..... D8/107  
6,655,866 B1 12/2003 Morad et al.

(71) Applicant: **Unger Marketing International, LLC**,  
Bridgeport, CT (US)

(Continued)

(72) Inventors: **James M. Buckley**, New Hartford, CT  
(US); **Joseph K. Patterson**, Monroe,  
CT (US); **Bryan Lee Roberts**,  
Dormagen (DE)

**FOREIGN PATENT DOCUMENTS**

CA 2730814 A1 8/2011  
CA 2893297 6/2014

(73) Assignee: **UNGER MARKETING INTERNATIONAL, LLC**, Bridgeport,  
CT (US)

**OTHER PUBLICATIONS**

HooverTwinTank\_2011\_Manual, 13 pages.

(Continued)

(\*\*) Term: **15 Years**

*Primary Examiner* — Philip S Hyder

(21) Appl. No.: **29/581,238**

(74) *Attorney, Agent, or Firm* — Cantor Colburn LLP

(22) Filed: **Oct. 17, 2016**

(51) **LOC (11) Cl.** ..... **08-05**

(52) **U.S. Cl.**

USPC ..... **D8/107**

(58) **Field of Classification Search**

USPC .... D8/107, 83, 81, 303; D32/50, 51, 52, 40;  
D24/133; D26/37, 49

CPC . A47L 13/22; A47L 9/32; A47L 9/325; B25G  
1/00; B25G 1/102; Y10T 16/459; Y10T  
16/44

See application file for complete search history.

(57) **CLAIM**

The ornamental design for a tool handle, as shown and described.

**DESCRIPTION**

FIG. 1 is a front, top perspective view of a tool handle according to the present disclosure;

FIG. 2 is a rear, top perspective view of the tool handle of FIG. 1;

FIG. 3 is a front, bottom perspective view of the tool handle of FIG. 1;

FIG. 4 is a rear, bottom perspective view of the tool handle of FIG. 1;

FIG. 5 is a top view of the tool handle of FIG. 1;

FIG. 6 is a side view of the tool handle of FIG. 1, the opposite side being a mirror image thereof;

FIG. 7 is a bottom view of the tool handle of FIG. 1;

FIG. 8 is a front view of the tool handle of FIG. 1; and,

FIG. 9 is a rear view of the tool handle of FIG. 1.

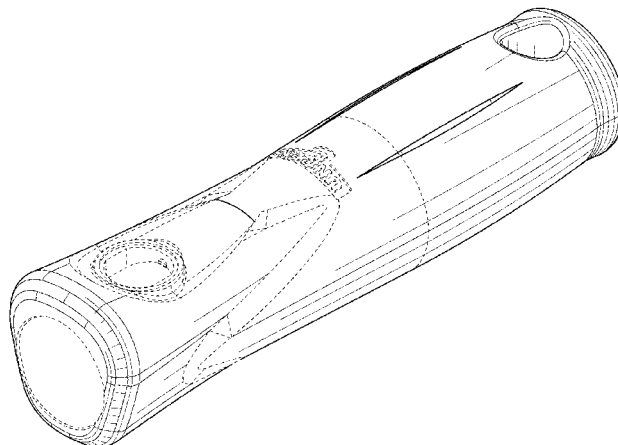
The broken lines depict portions of the tool handle in which the design is embodied that are not considered part of the claimed design.

(56) **References Cited**

**U.S. PATENT DOCUMENTS**

2,104,161	A	12/1934	Koukal
4,776,716	A	10/1988	Huang
4,863,299	A	9/1989	Osberghaus et al.
5,271,682	A	12/1993	Realdon
5,735,620	A	4/1998	Ford
5,888,006	A	3/1999	Ping et al.
6,142,750	A	11/2000	Benecke
6,497,525	B1	12/2002	Huang
6,540,424	B1	4/2003	Hall et al.
6,551,001	B2	4/2003	Aberegg et al.
6,579,023	B2	6/2003	Kunkler et al.

**1 Claim, 8 Drawing Sheets**



(56)

References Cited

U.S. PATENT DOCUMENTS

6,659,670	B1	12/2003	Blouse	8,241,427	B1	8/2012	Crawford et al.
6,663,306	B2	12/2003	Policicchio et al.	8,267,607	B2	9/2012	Harris
6,669,391	B2	12/2003	Policicchio et al.	D668,924	S *	10/2012	Molina ..... D8/83
6,722,806	B2	4/2004	Kunkler et al.	8,425,137	B1	4/2013	Sampaio
6,726,388	B1	4/2004	Monahan	8,449,212	B2	5/2013	Crawford et al.
D489,183	S *	5/2004	Akahori ..... D4/101	8,596,896	B2	12/2013	Kimura
D494,299	S *	8/2004	Dalton ..... D26/49	8,641,309	B2	2/2014	Perry et al.
6,854,911	B2	2/2005	Policicchio et al.	8,662,778	B2	3/2014	Crawford et al.
6,854,912	B2	2/2005	Dyer et al.	8,667,637	B2	3/2014	Vrdoljak et al.
6,893,180	B2	5/2005	Hall et al.	8,807,858	B2	8/2014	Fitzpatrick et al.
6,899,485	B2	5/2005	Hall et al.	8,834,053	B2	9/2014	Van LANDINGHAM, Jr. et al.
6,953,299	B2	10/2005	Wang et al.	8,844,088	B2	9/2014	Garcia Castillo
6,960,042	B1	11/2005	Hsiao	8,894,315	B2	11/2014	Dingert et al.
6,964,535	B2	11/2005	Bell et al.	8,926,210	B2	1/2015	Orubor
6,981,533	B2	1/2006	Zorzo	8,927,480	B2	1/2015	Williams et al.
6,986,618	B2	1/2006	Hall et al.	9,044,132	B2	6/2015	Kaminer et al.
6,986,619	B2	1/2006	Hall et al.	D775,909	S *	1/2017	Harrington ..... D8/14
7,004,658	B2	2/2006	Hall et al.	2003/0103795	A1	6/2003	Hollars et al.
7,048,458	B2	5/2006	Hall et al.	2003/0126710	A1	7/2003	Policicchio et al.
7,048,804	B2	5/2006	Kisela et al.	2004/0146333	A1	7/2004	Fu
D523,724	S *	6/2006	Rinner ..... D8/107	2004/0223803	A1	11/2004	Fahy et al.
7,056,050	B2	6/2006	Sacks	2005/0031404	A1	2/2005	Tsai et al.
D525,850	S *	8/2006	Huang ..... D8/83	2005/0089360	A1	4/2005	Garabedian, Jr. et al.
D530,977	S *	10/2006	Timm ..... D7/395	2005/0191116	A1	9/2005	Flanery et al.
7,159,275	B2	1/2007	Chang	2006/0039743	A1	2/2006	Mensink et al.
7,160,044	B2	1/2007	Dyer et al.	2006/0110207	A1	5/2006	Augustinus Hofte et al.
7,163,349	B2	1/2007	Policicchio et al.	2006/0213017	A1	9/2006	Bele et al.
7,172,099	B2	2/2007	Hofte et al.	2007/0140774	A1	6/2007	Dyer et al.
7,191,486	B1	3/2007	Michelson et al.	2007/0231046	A1	10/2007	Whiffen et al.
7,431,524	B2	10/2008	Sacks	2008/0038045	A1	2/2008	Hofte et al.
D586,967	S *	2/2009	Libman ..... D32/51	2008/0066242	A1	3/2008	Aiyar
7,530,136	B1	5/2009	Ball	2008/0205972	A1	8/2008	LaFlamme et al.
D604,470	S *	11/2009	Billig ..... D32/50	2011/0158740	A1	6/2011	Kandasamy et al.
D604,581	S *	11/2009	Edwards ..... D8/61	2012/0227763	A1	9/2012	Hayes et al.
7,618,206	B2	11/2009	Sacks	2013/0263396	A1	10/2013	Crawford et al.
7,699,551	B2	4/2010	Suda et al.	2013/0263398	A1	10/2013	Irwin et al.
7,708,485	B2	5/2010	Tanaka et al.	2014/0317868	A1	10/2014	Fitzpatrick et al.
7,722,273	B2	5/2010	Tanaka et al.	2015/0082570	A1	3/2015	Davidshofer et al.
7,850,384	B2	12/2010	Sacks	2015/0089757	A1	4/2015	Davidshofer et al.
8,069,520	B2	12/2011	Mattucci et al.	2015/0101140	A1	4/2015	Pierce
8,079,770	B2	12/2011	Widmer et al.				
8,096,723	B2	1/2012	Bae				
8,109,685	B1	2/2012	Vito				
8,186,898	B2	5/2012	Bradbury et al.				
8,205,293	B2	6/2012	Rosenzweig et al.				

OTHER PUBLICATIONS

International Search Report and Written Opinion dated Feb. 25, 2016 for corresponding International Patent Application No. PCT/US2015/068212, 8 pages.

\* cited by examiner

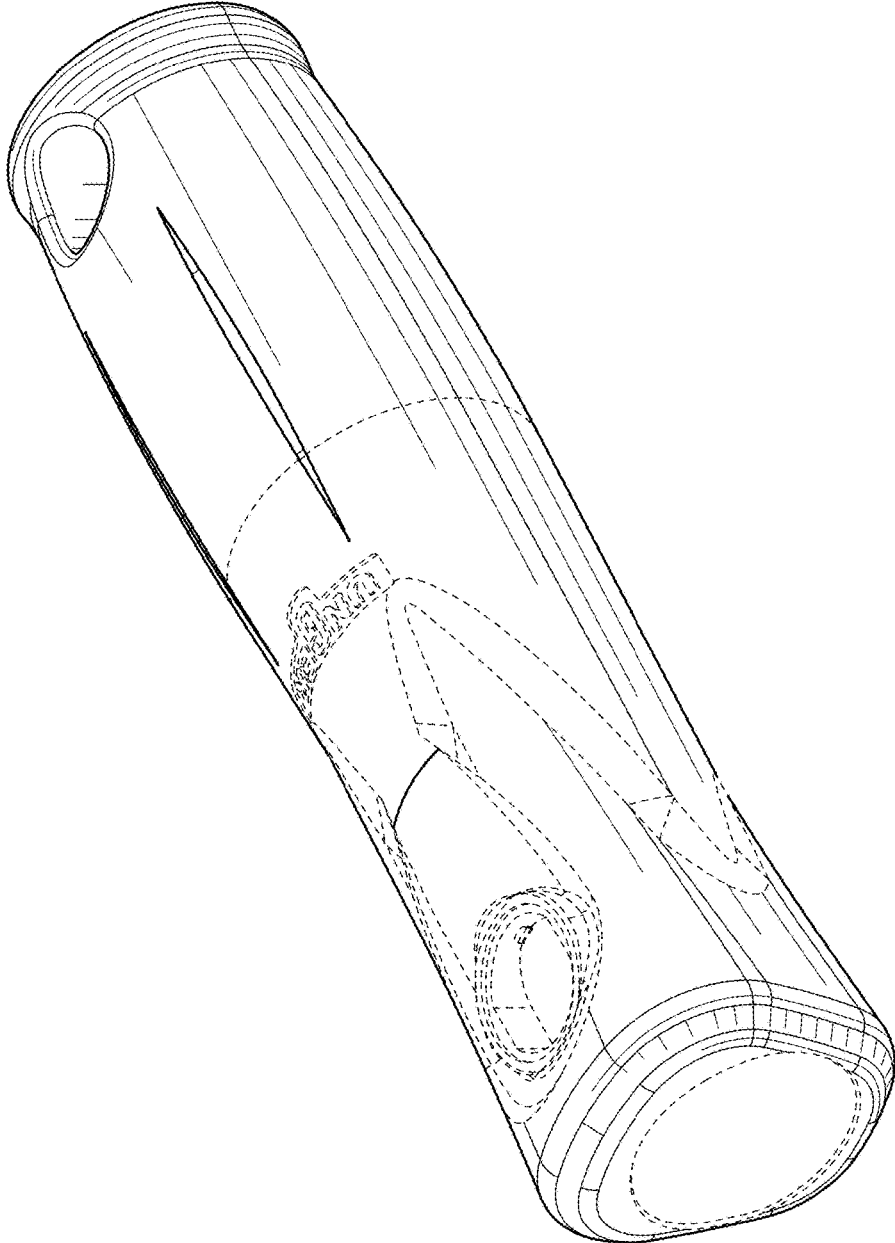


FIG. 1

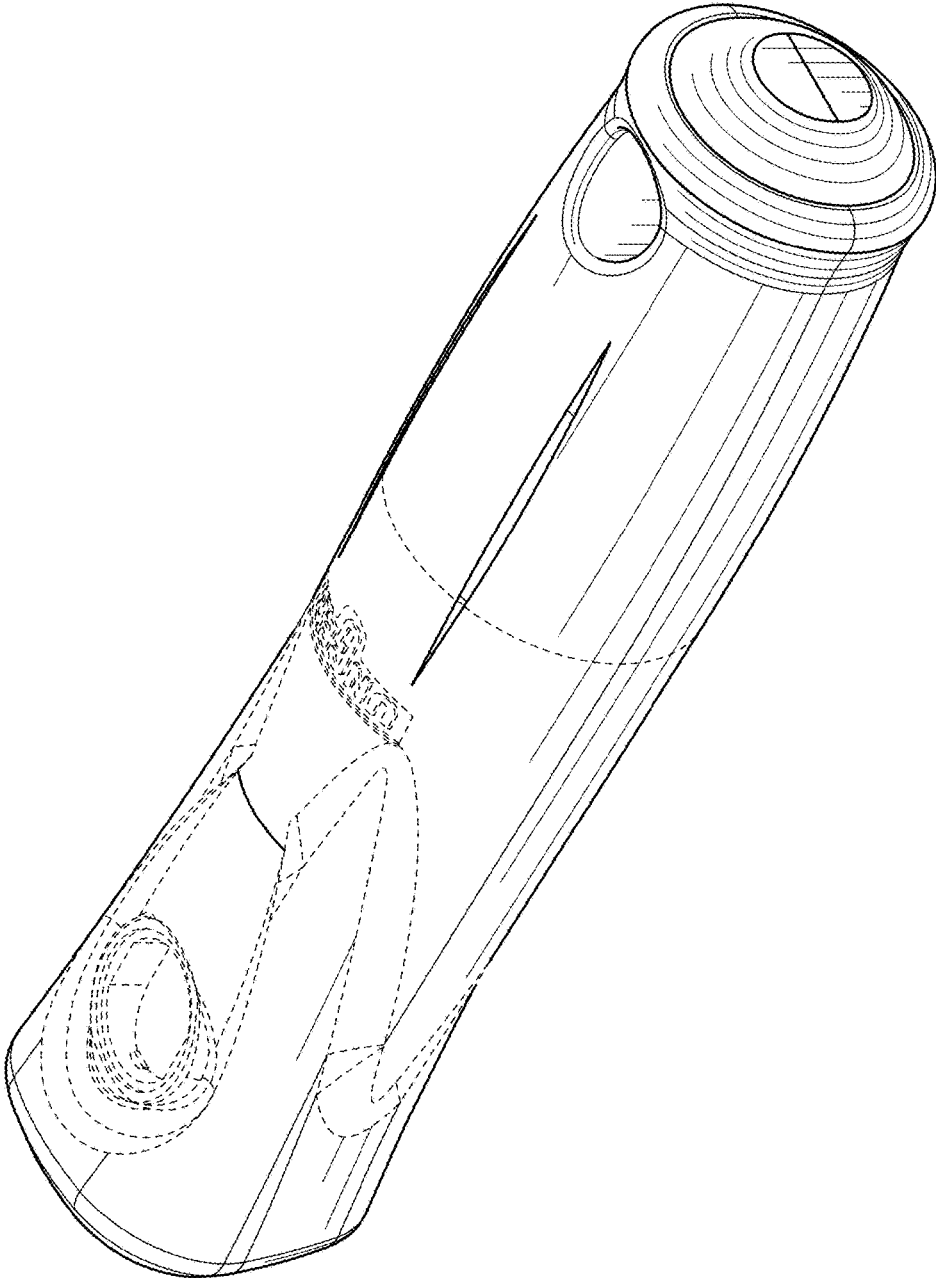


FIG. 2

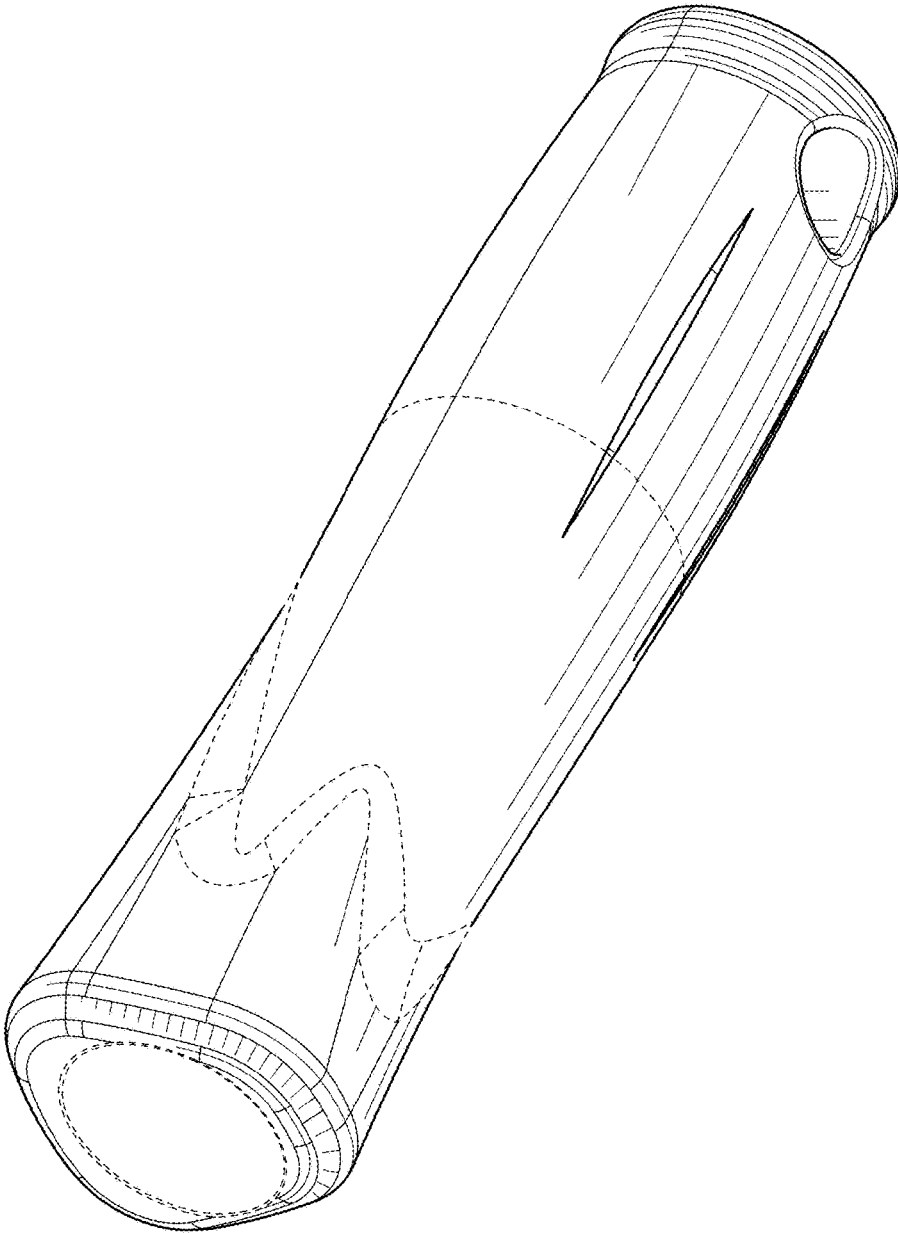


FIG. 3

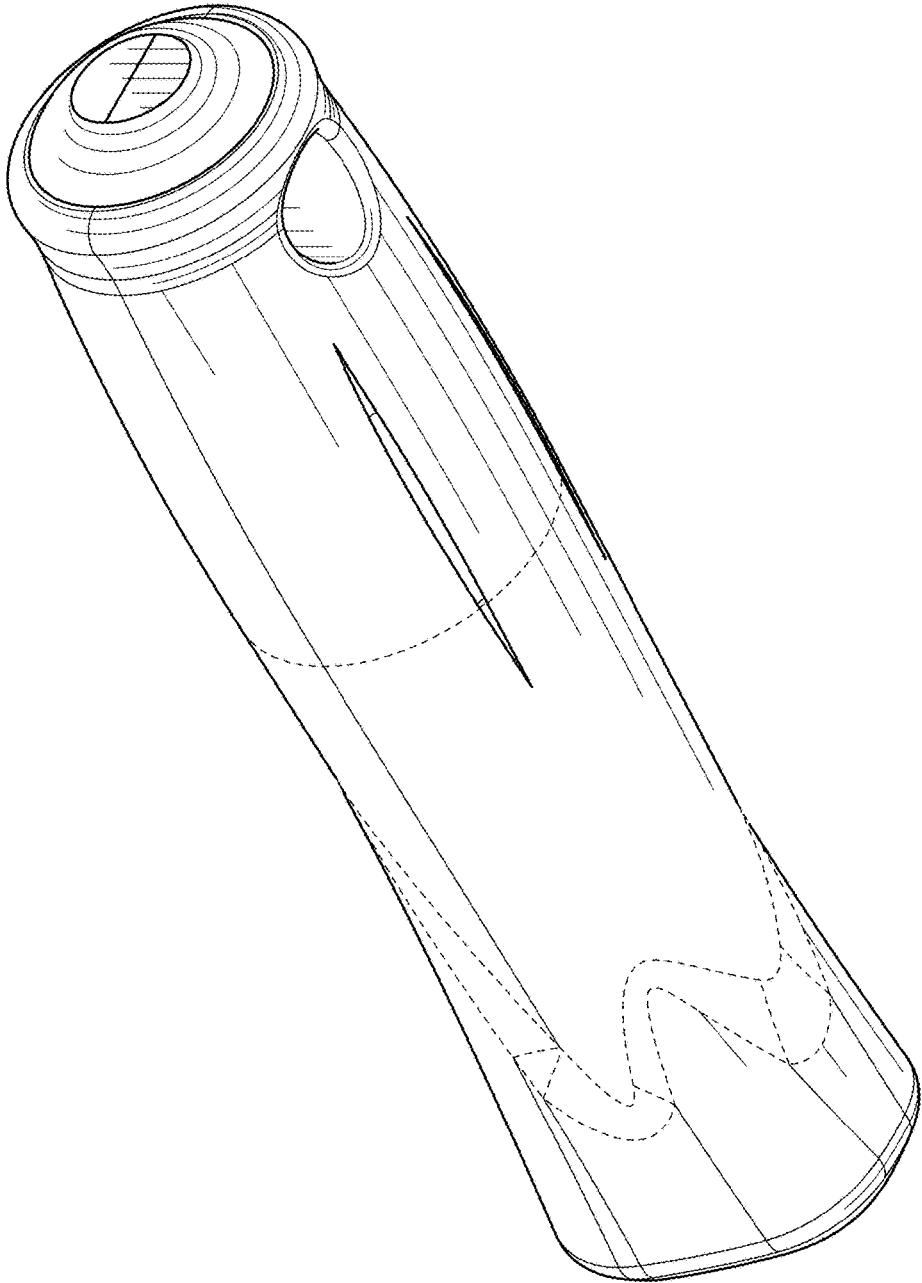


FIG. 4

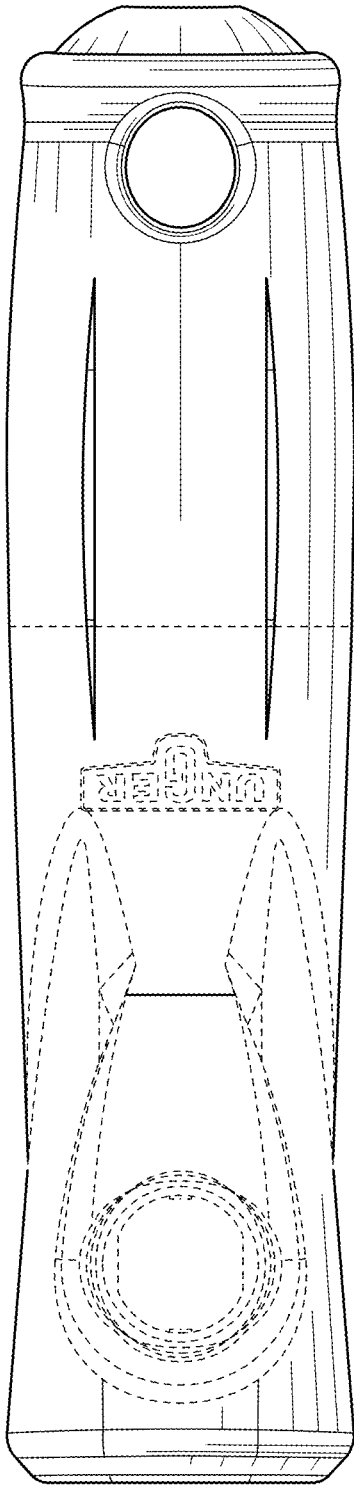


FIG. 5

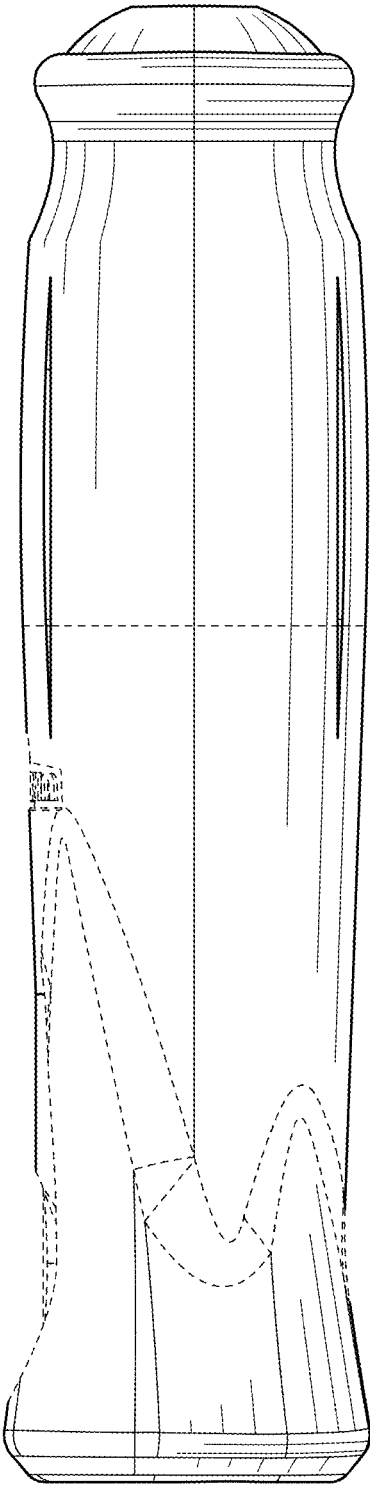


FIG. 6



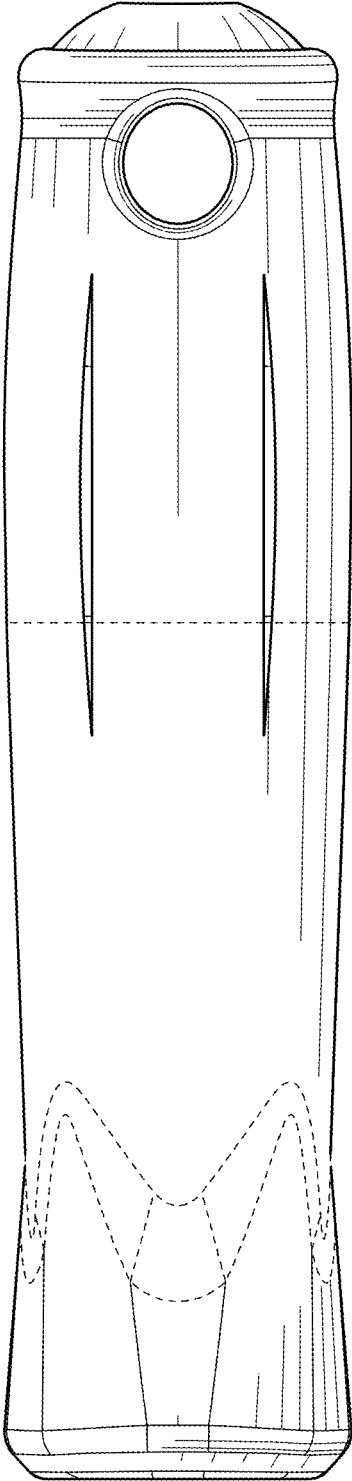


FIG. 7

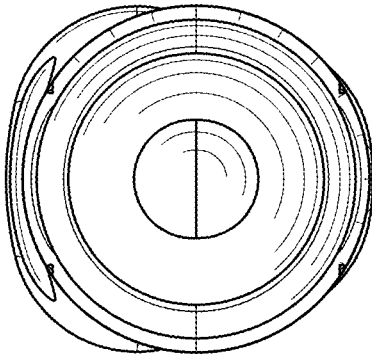


FIG. 9

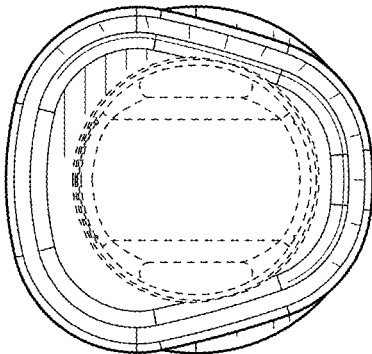


FIG. 8