



US00D891782S

(12) **United States Design Patent** (10) **Patent No.:** **US D891,782 S**
Ragias et al. (45) **Date of Patent:** **** Aug. 4, 2020**

(54) **LID FOR A CONTAINER**
(71) Applicant: **Oneida Consumer, LLC**, Columbus, OH (US)
(72) Inventors: **Christos Argirios Ragias**, Columbus, OH (US); **Garet Riley Miller**, Chillicothe, OH (US); **Brian J. Demers**, Charlotte, NC (US)
(73) Assignee: **Oneida Consumer, LLC**, Columbus, OH (US)
(**) Term: **15 Years**

Primary Examiner — Holly H Baynham
(74) *Attorney, Agent, or Firm* — Tucker Ellis LLP; Carlos P. Garritano

(57) **CLAIM**

The ornamental design for a lid for a container, as shown and described.

DESCRIPTION

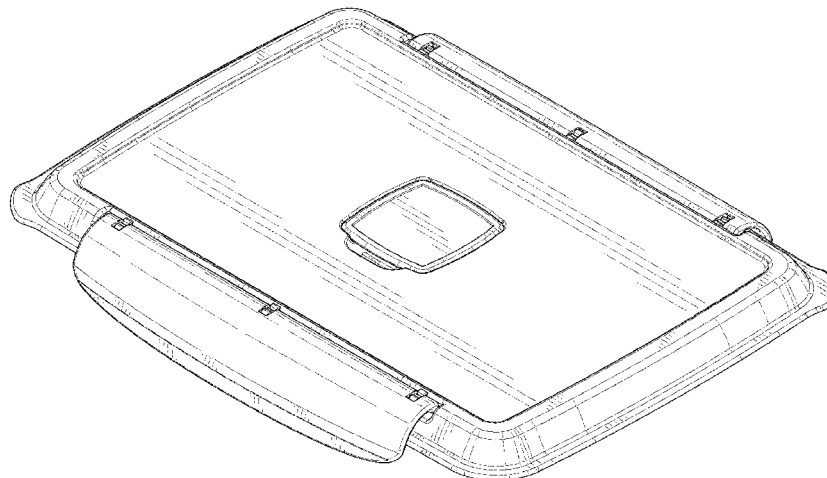
(21) Appl. No.: **29/684,933**
(22) Filed: **Mar. 25, 2019**
(51) **LOC (12) Cl.** **03-01**
(52) **U.S. Cl.**
USPC **D3/318**; D3/323; D9/435
(58) **Field of Classification Search**
USPC D3/318, 323; D9/435
CPC .. A61J 1/00; A61J 1/1412; B65D 1/00; B65D 1/02; B65D 1/10; B65D 1/46; B65D 2585/56; B65D 41/00; B65D 41/38; B65D 41/36; B65D 41/56; B65D 41/62; B65D 47/06; B65D 47/08; B65D 2543/00046; B65D 2543/00092; B65D 5/46; B65D 2251/00
See application file for complete search history.

FIG. 1 is a perspective view of an embodiment of a lid for a container showing a new design;
FIG. 2 is a front view of the lid for a container illustrated in FIG. 1;
FIG. 3 is a rear view of the lid for a container illustrated in FIG. 1;
FIG. 4 is a top side view of the lid for a container illustrated in FIG. 1;
FIG. 5 is a bottom side view of the lid for a container illustrated in FIG. 1;
FIG. 6 is a left side view of the lid for a container illustrated in FIG. 1; and
FIG. 7 is a right side view of the lid for a container illustrated in FIG. 1.
FIG. 8 is a perspective view of an embodiment of a lid for a container showing a new design;
FIG. 9 is a front view of the lid for a container illustrated in FIG. 8;
FIG. 10 is a rear view of the lid for a container illustrated in FIG. 8;
FIG. 11 is a top side view of the lid for a container illustrated in FIG. 8;
FIG. 12 is a bottom side view of the lid for a container illustrated in FIG. 8;
FIG. 13 is a left side view of the lid for a container illustrated in FIGS. 8; and,
FIG. 14 is a right side view of the lid for a container illustrated in FIG. 8.

(56) **References Cited**
U.S. PATENT DOCUMENTS
3,447,714 A * 6/1969 Elliot B65D 43/0212 206/1.5
D297,875 S * 9/1988 Carville D3/318
5,641,090 A * 6/1997 Kowalski B65D 43/0212 220/782
6,142,332 A * 11/2000 Ferrara B65D 43/0218 220/212
7,063,230 B2 * 6/2006 Ciccone B65D 43/0256 220/792

(Continued)

1 Claim, 10 Drawing Sheets



(56)

References Cited

U.S. PATENT DOCUMENTS

D603,168	S	*	11/2009	Melhede	D3/318
D642,054	S	*	7/2011	Samartgis	D9/435
D642,462	S	*	8/2011	Samartgis	D9/435
10,144,557	B2	*	12/2018	Bischoff	B65D 43/021

* cited by examiner



FIG. 1

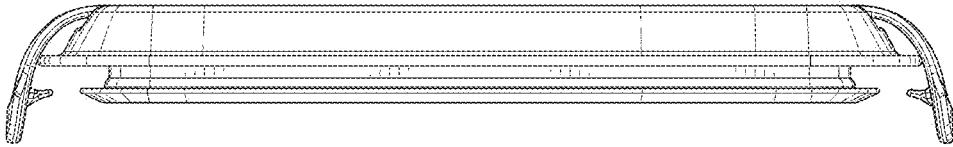


FIG. 2

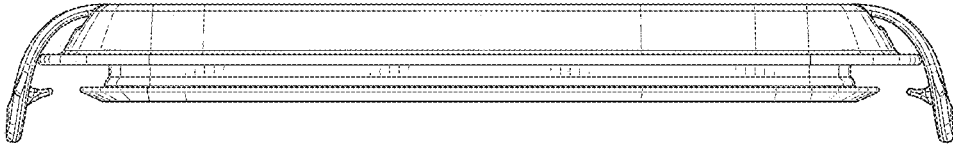


FIG. 3

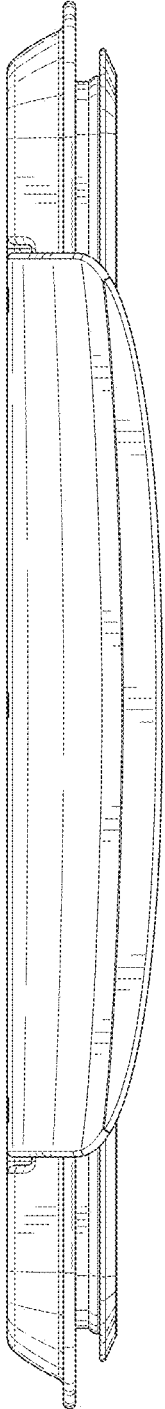


FIG. 4

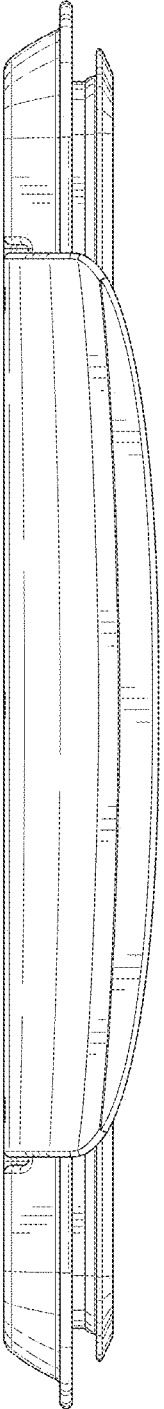


FIG. 5

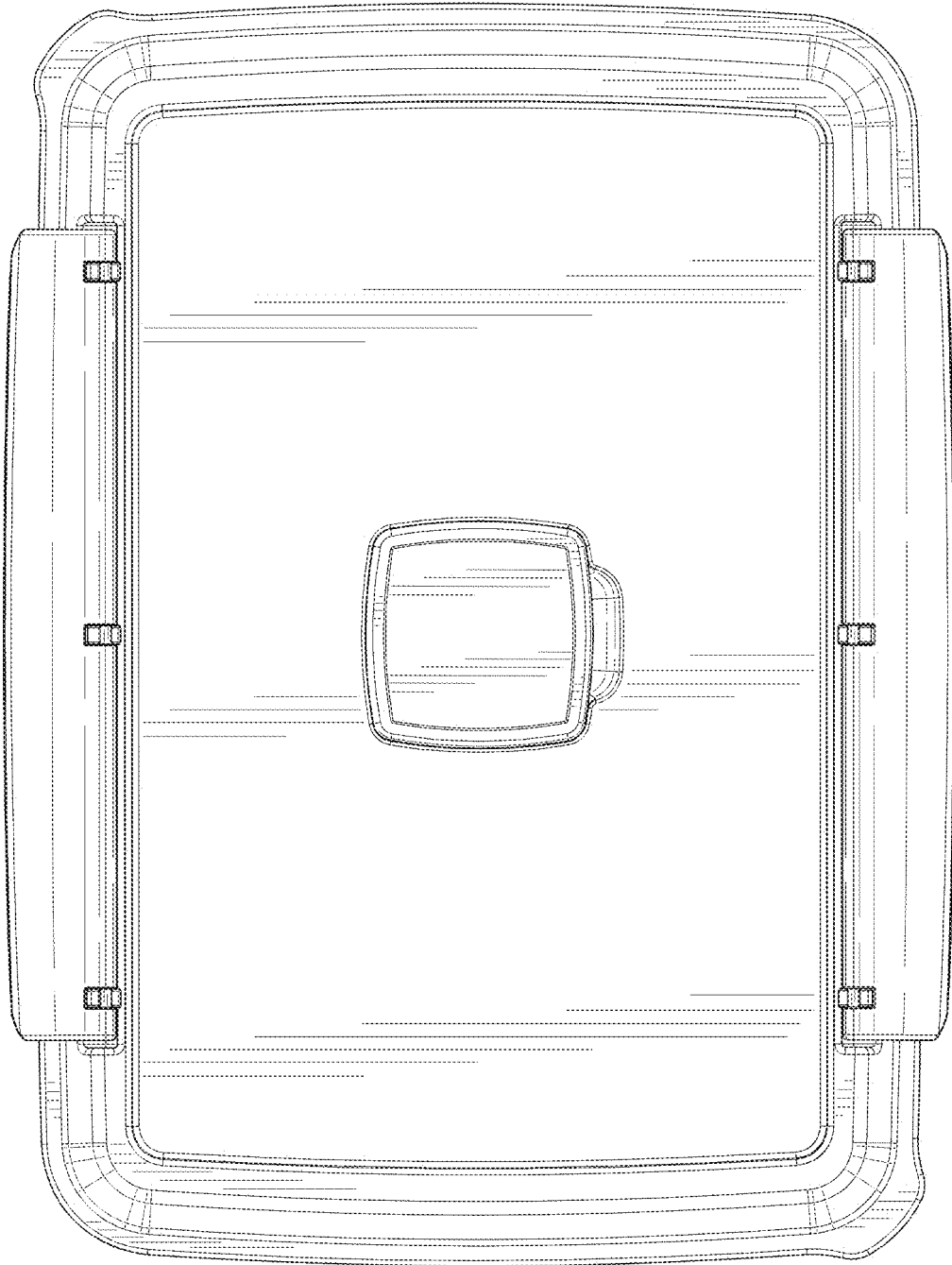


FIG. 6

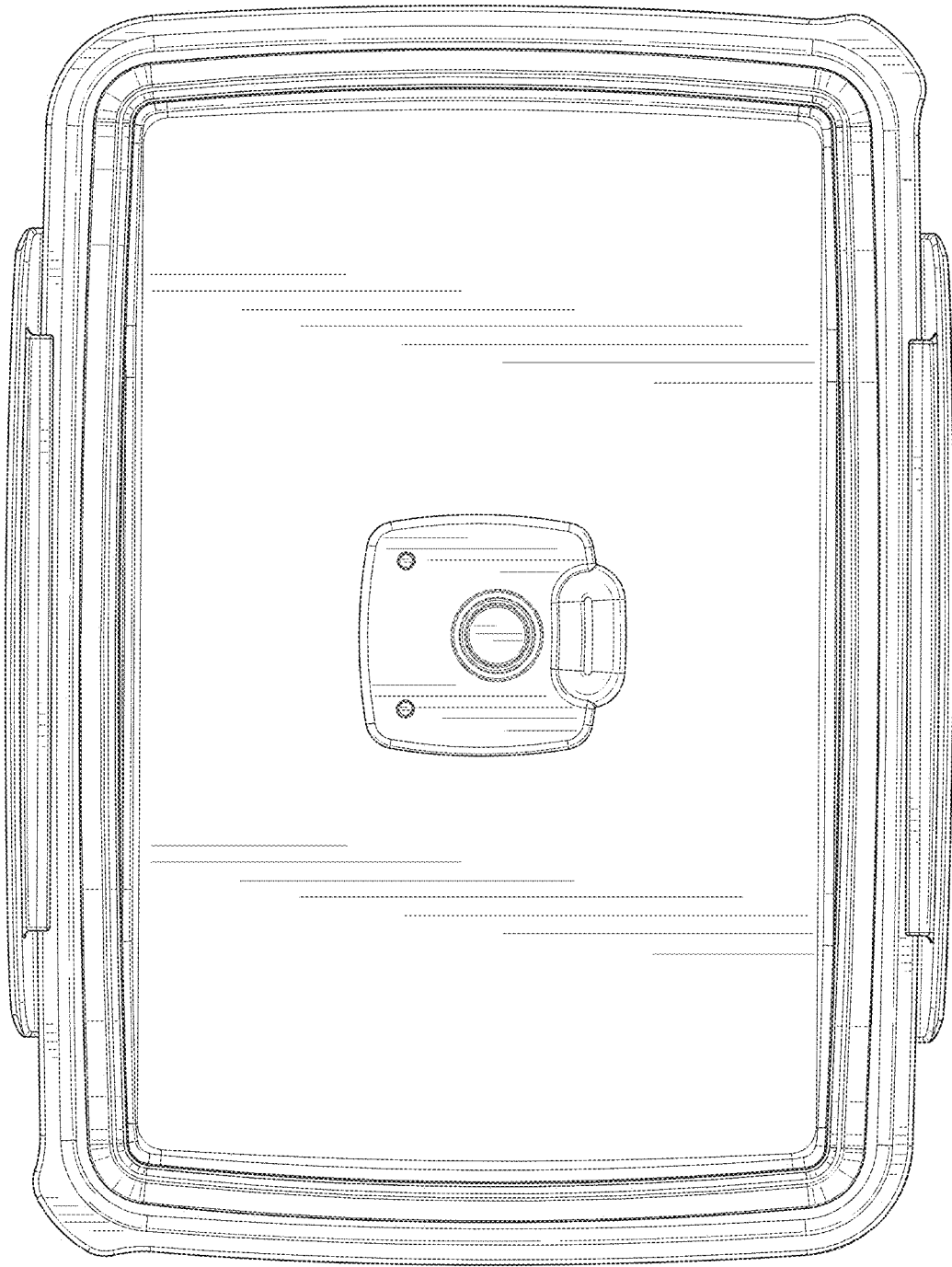


FIG. 7

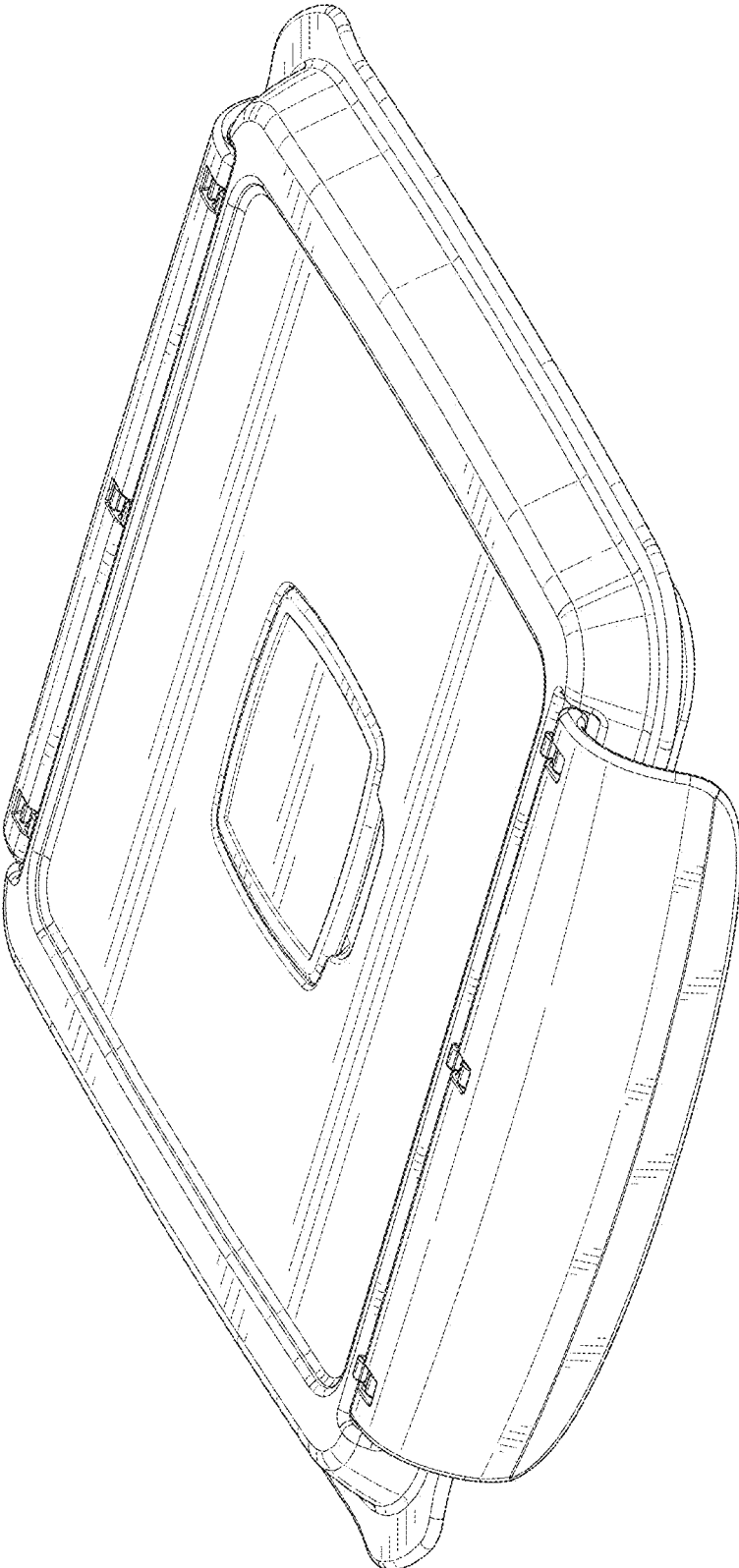


FIG. 8

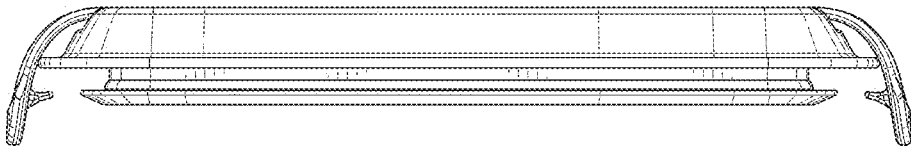


FIG. 9

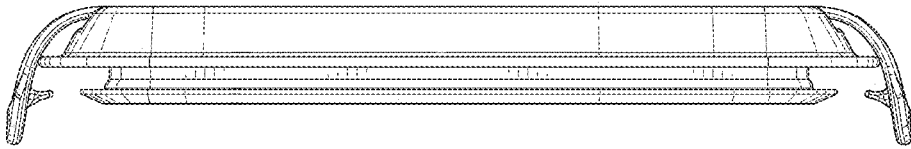


FIG. 10

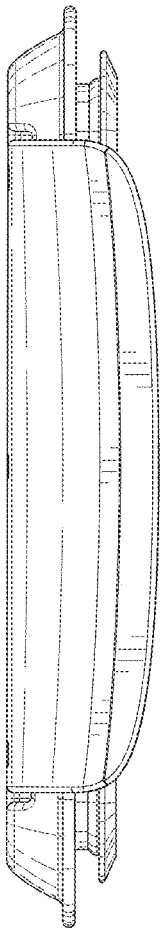


FIG. 11

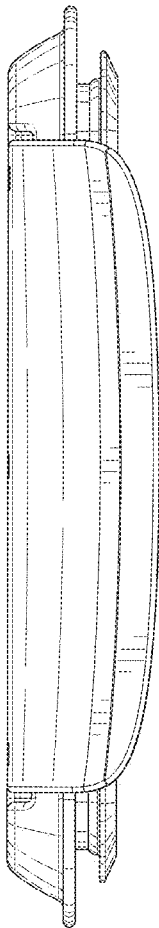


FIG. 12

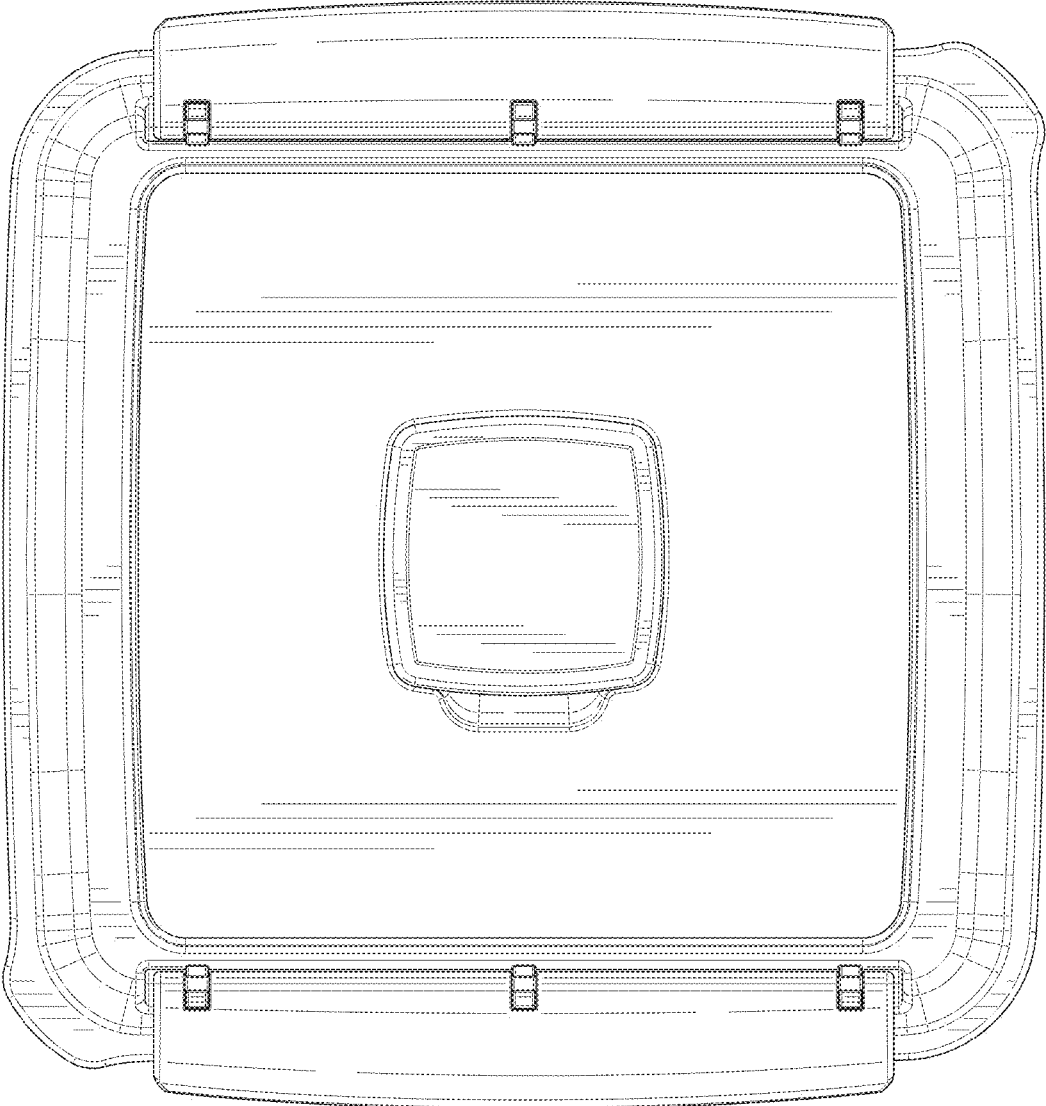


FIG. 13

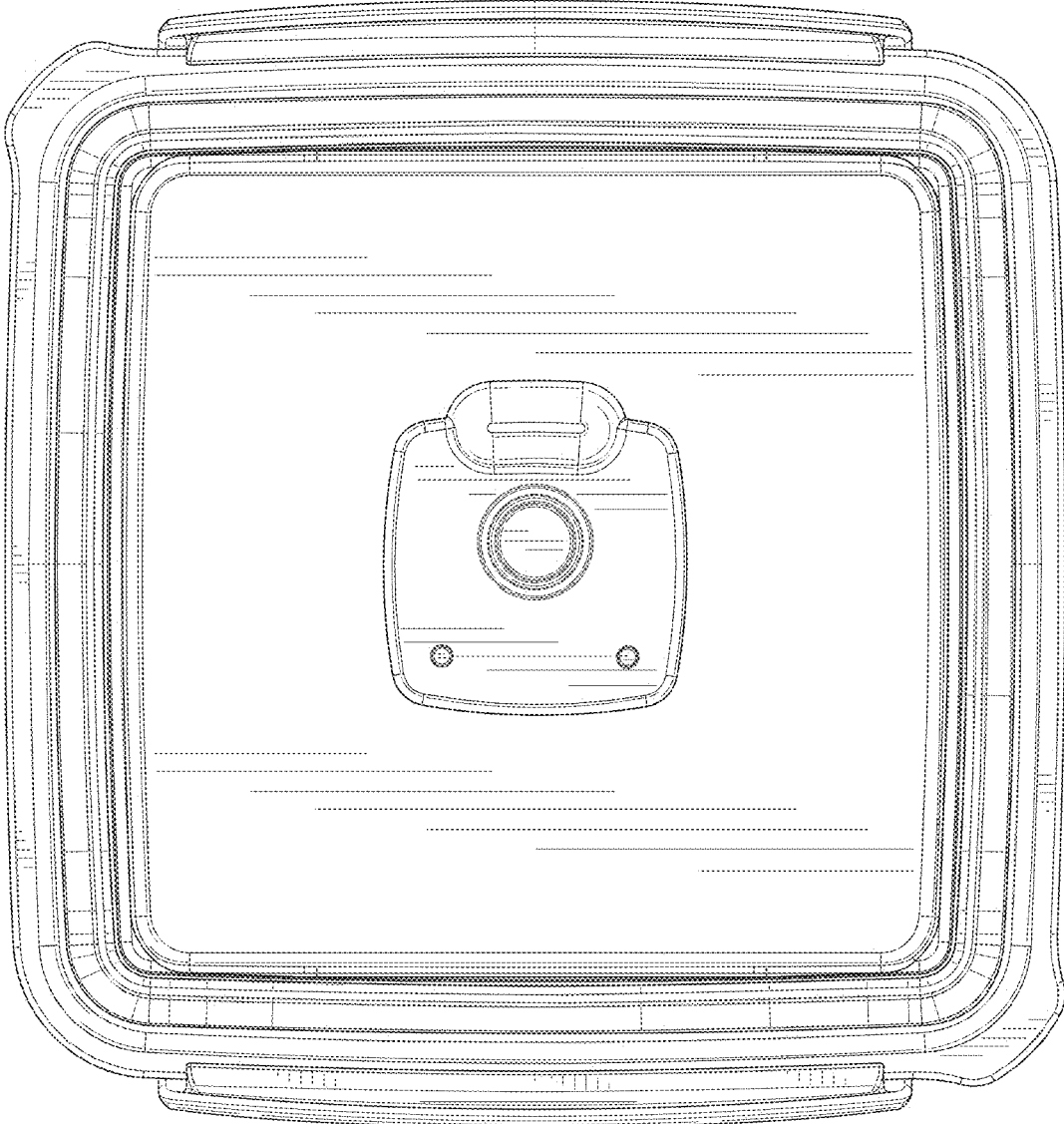


FIG. 14