

- [54] **COMBINED SPRAY GUN AND CLOSURE CAP**
- [75] **Inventor: Walter B. Herbst, Evanston, Ill.**
- [73] **Assignee: Thomas Industries, Inc., Sheboygan, Wis.**
- [**] **Term: 14 Years**
- [21] **Appl. No.: 59,265**
- [22] **Filed: Jun. 8, 1987**
- [52] **U.S. Cl. D23/226**
- [58] **Field of Search D23/213, 223, 224, 225, D23/226, 227; 239/318, 526, 527, 375; 222/630, 79**

Spray Gun with Aluminum Quart Cup, bottom right side of page.
 J. C. Whitney Catalogue, Jan. 1985, p. 117, Heavy-duty Spray Gun with 1 Quart Anti-drip Siphon Cup, middle right side of page and Spray Gun with Aluminum Quart Cup, middle right side of page, and p. 118, Low-pressure Spray Gun with Aluminum Quart Cup, bottom left side of page.

Primary Examiner—James M. Gandy
Assistant Examiner—Lisa Lichtenstein
Attorney, Agent, or Firm—Basil E. Demeur; Robert E. Knechtel; Alan B. Samlan

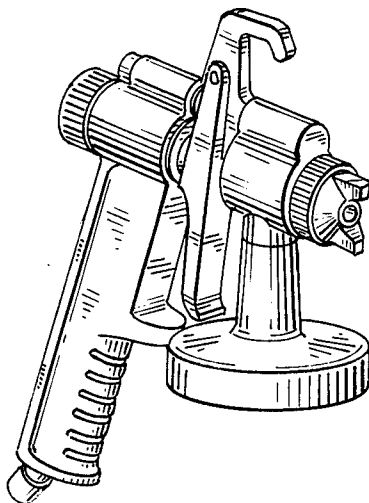
[57] **CLAIM**

The ornamental design for a combined spray gun and closure cap, as shown and described.

DESCRIPTION

FIG. 1 is a perspective view of a combined spray gun and closure cap showing my new design;
 FIG. 2 is an enlarged side elevation view thereof, opposite to the side shown in FIG. 1, it being understood that the broken lines are for illustrative purposes only and form no part of the claimed design;
 FIG. 3 is a top plan view of FIG. 2;
 FIG. 4 is a front elevation view of FIG. 2;
 FIG. 5 is a rear elevation view of FIG. 2; and
 FIG. 6 is a bottom plan view of FIG. 2.

- [56] **References Cited**
- U.S. PATENT DOCUMENTS**
- 3,076,608 2/1963 Valles 239/526
- 3,880,356 4/1975 Chandler 239/526
- FOREIGN PATENT DOCUMENTS**
- 1359439 7/1974 United Kingdom 239/318
- OTHER PUBLICATIONS**
- J. C. Whitney Catalogue, Nov. 1986, p. 132, Fine Finish Spray Gun, bottom center of page and Low-pressure



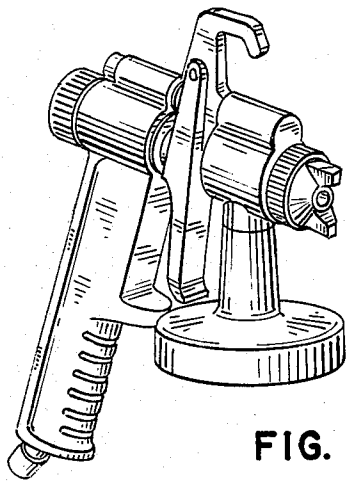


FIG. 1

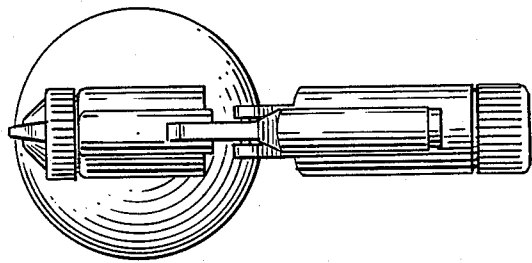


FIG. 2

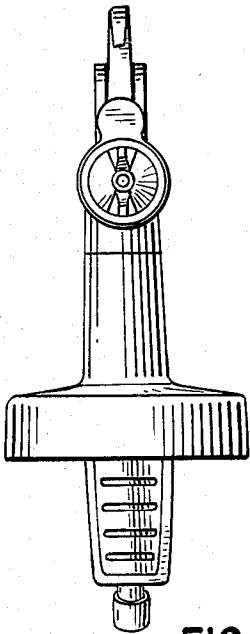


FIG. 3

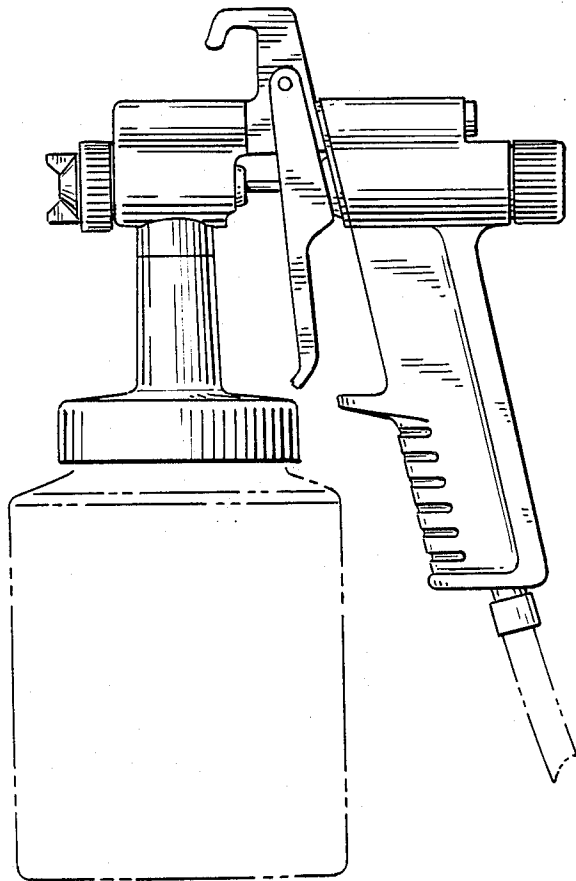


FIG. 4

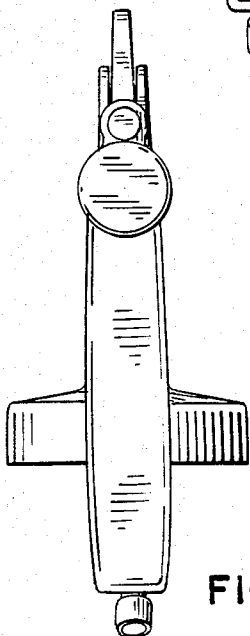


FIG. 5

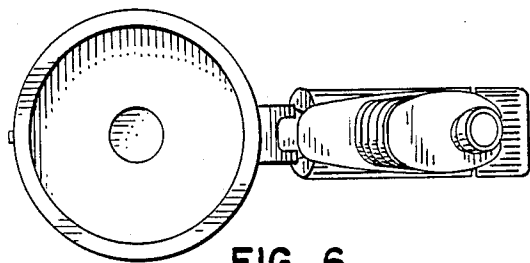


FIG. 6