



US00D769665S

(12) **United States Design Patent** (10) **Patent No.:** **US D769,665 S**
Friel, Jr. et al. (45) **Date of Patent:** **** Oct. 25, 2016**

(54) **KETTLE**
(71) Applicant: **EDGECRAFT CORPORATION**,
Avondale, PA (US)
(72) Inventors: **Daniel D. Friel, Jr.**, Kennett Square,
PA (US); **Bela Elek**, Wilmington, DE
(US); **Samuel Weiner**, Wilmington, DE
(US); **Thomas M. Huber**, Dover, DE
(US)
(73) Assignee: **EDGECRAFT CORPORATION**,
Avondale, PA (US)

D438,420 S * 3/2001 Rolfes D7/317
D449,202 S * 10/2001 Schmidt D7/312
D455,314 S * 4/2002 Choi D7/305
D504,273 S * 4/2005 Ancona D7/321
D529,328 S * 10/2006 Schmidt D7/321
7,279,660 B2 10/2007 Long et al.
D574,658 S * 8/2008 Grund D7/321
D584,560 S * 1/2009 Garzon D7/312
D599,161 S 9/2009 Friel, Sr. et al.
7,745,759 B2 6/2010 Long et al.
8,124,917 B2 2/2012 Friel, Sr. et al.
D692,715 S * 11/2013 Tsui D7/312
D725,956 S * 4/2015 Jin D7/312
D727,675 S * 4/2015 Garvey D7/319

* cited by examiner

(**) Term: **15 Years**

Primary Examiner — Marianne Pandozzi

(21) Appl. No.: **29/553,885**

(74) *Attorney, Agent, or Firm* — Drinker Biddle & Reath LLP

(22) Filed: **Feb. 5, 2016**

(51) **LOC (10) Cl.** **07-01**
(52) **U.S. Cl.**

USPC **D7/321; D7/312**

(58) **Field of Classification Search**

USPC D7/312, 305, 317–319, 321, 322;
99/283, 318; 222/189.07, 465.1

CPC A47J 31/20; A47J 31/56; A47J 27/21191;
A47J 27/212; A47J 27/21

See application file for complete search history.

(56) **References Cited**

U.S. PATENT DOCUMENTS

D360,101 S * 7/1995 Lee D7/321
D369,714 S * 5/1996 Huang D7/317
D390,743 S * 2/1998 Saltet D7/317
D399,090 S * 10/1998 Green D7/318
D420,241 S * 2/2000 Huang D7/317

(57) **CLAIM**

We claim the ornamental design for a kettle, as shown and described.

DESCRIPTION

FIG. 1 is a front perspective view of a kettle showing our new design;

FIG. 2 is a rear perspective view thereof;

FIG. 3 is a right side elevational view thereof;

FIG. 4 is a left side elevational view thereof;

FIG. 5 is a front elevational view thereof;

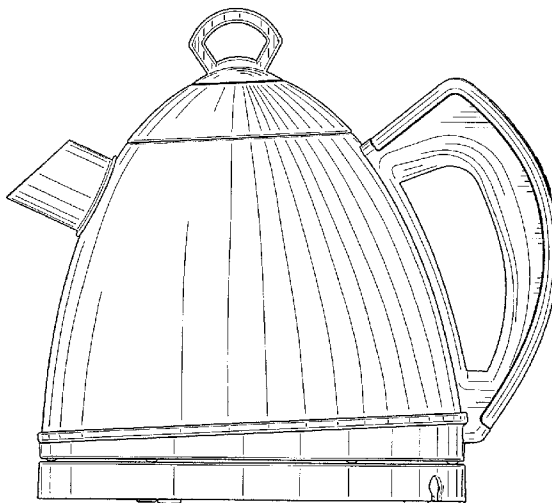
FIG. 6 is a rear elevational view thereof;

FIG. 7 is a top plan view thereof; and,

FIG. 8 is a bottom plan view thereof.

The broken lines in the drawing depict portions of the kettle that form no part of the claimed design.

1 Claim, 5 Drawing Sheets



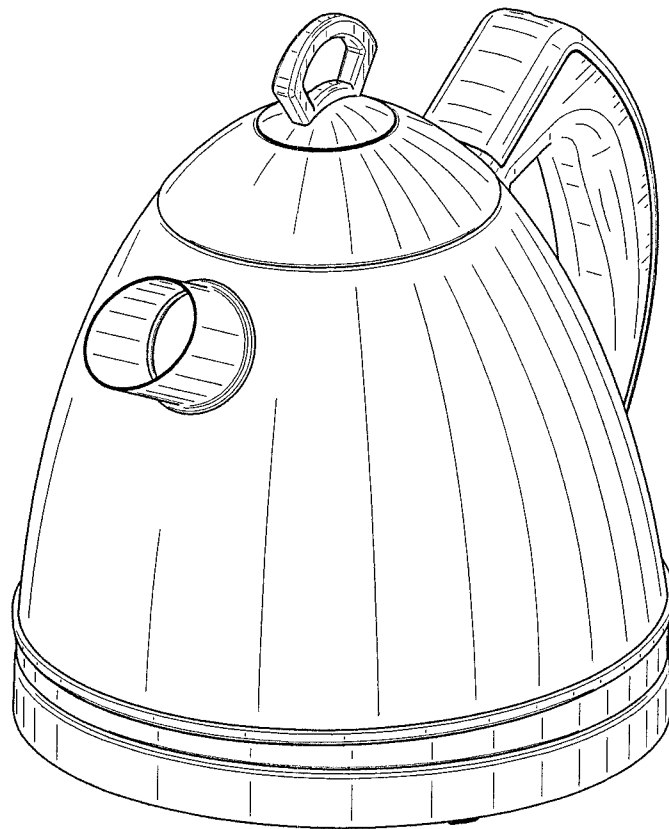


FIG. 1

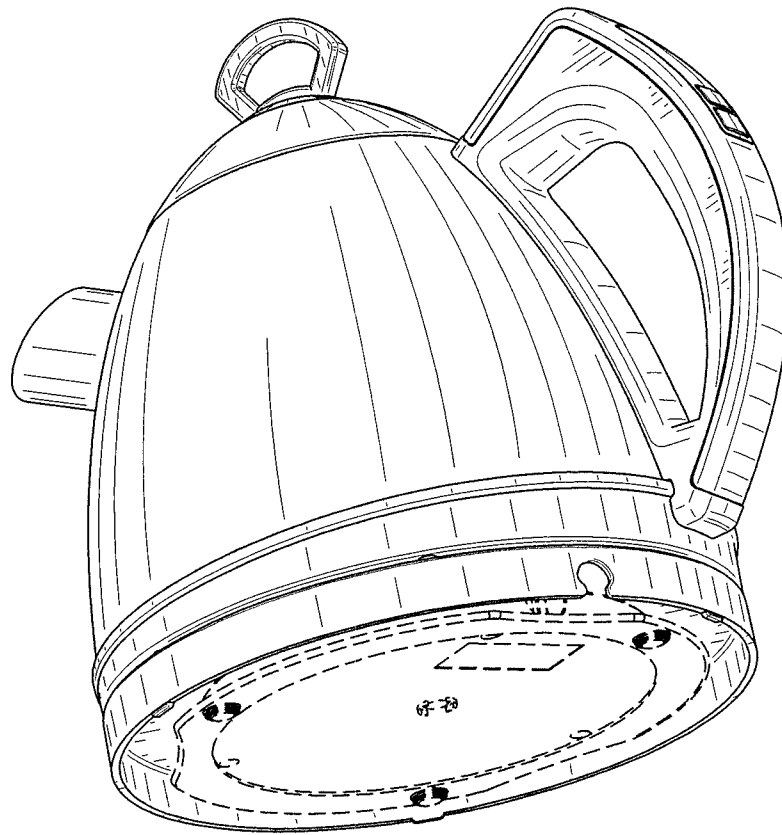


FIG. 2

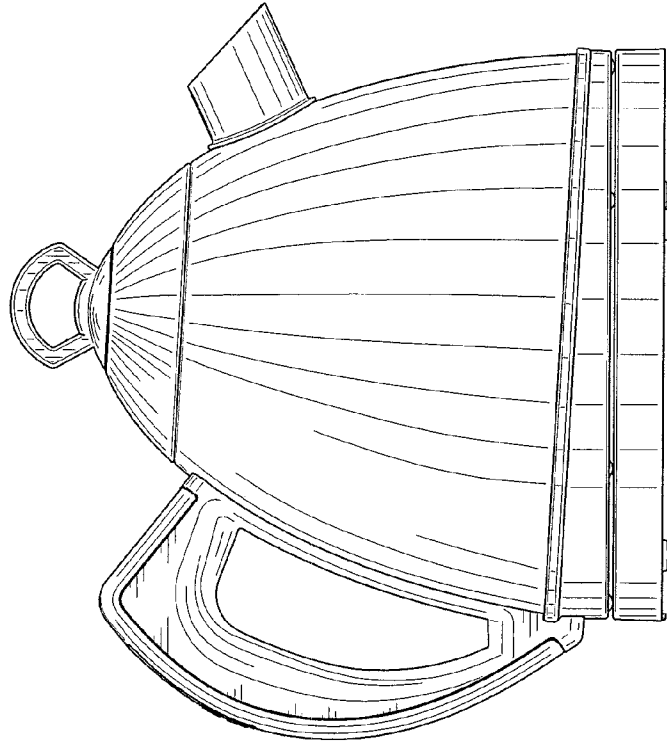


FIG. 4

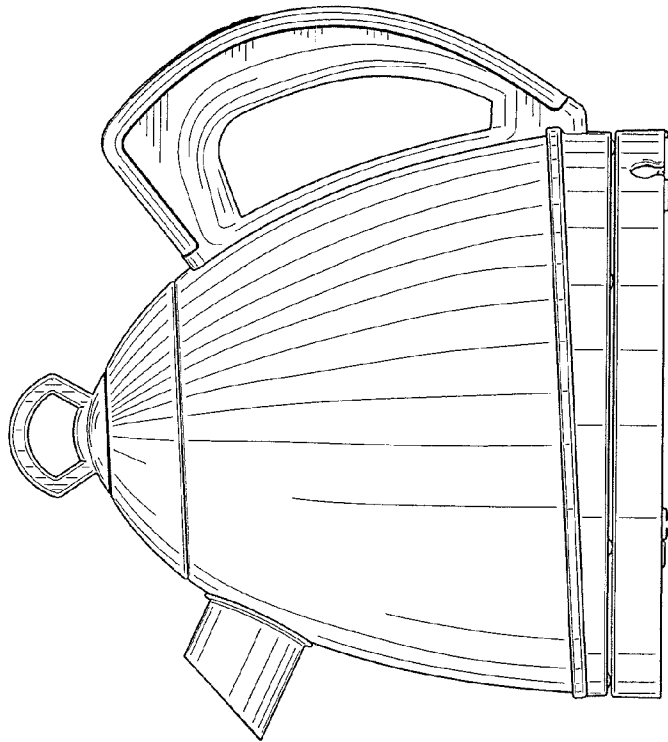


FIG. 3

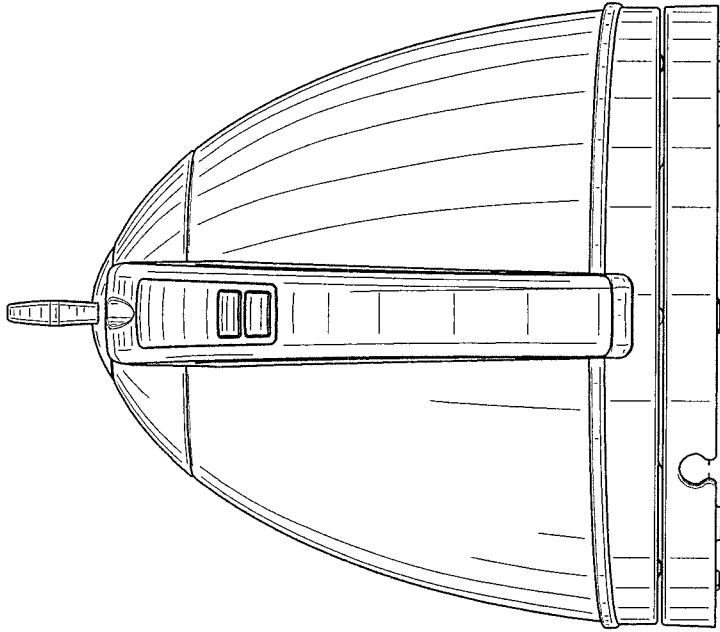


FIG. 5

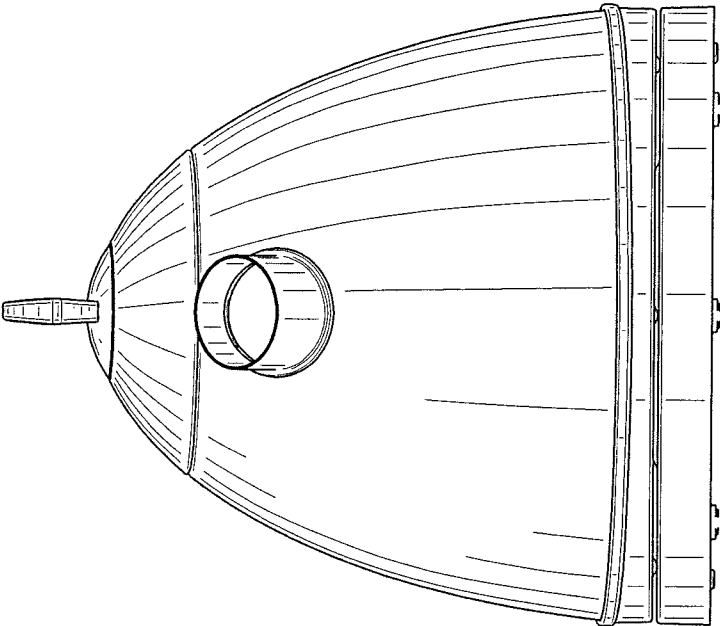


FIG. 6

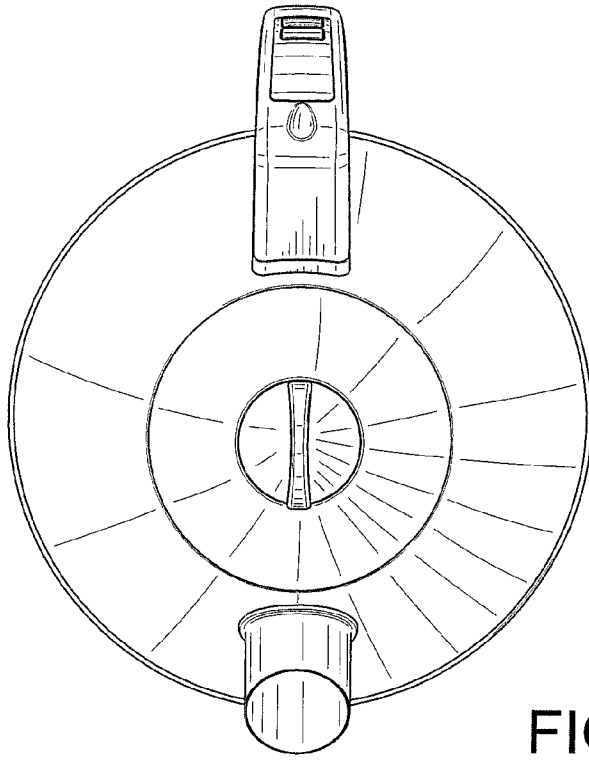


FIG. 7

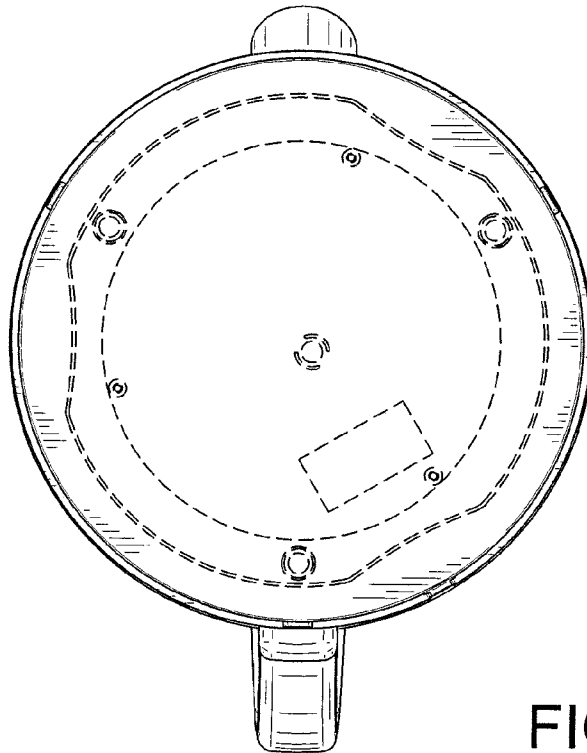


FIG. 8