



US00D923161S

(12) **United States Design Patent**  
**Lei**

(10) **Patent No.:** **US D923,161 S**

(45) **Date of Patent:** **\*\* Jun. 22, 2021**

(54) **HEATER**

(71) Applicant: **MIDEA GROUP CO., LTD.,**  
Guangdong (CN)

(72) Inventor: **Hanqiang Lei, Guangdong (CN)**

(73) Assignee: **MIDEA GROUP CO., LTD., Foshan**  
(CN)

(\*\*) Term: **15 Years**

(21) Appl. No.: **35/509,379**

(22) Filed: **Dec. 23, 2019**

(80) **Hague Agreement Data**

Int. Filing Date: **Dec. 23, 2019**

Int. Reg. No.: **DM/207950**

Int. Reg. Date: **Dec. 23, 2019**

Int. Reg. Pub. Date: **May 15, 2020**

(30) **Foreign Application Priority Data**

Jul. 19, 2019 (CN) ..... 201930388090.X

(51) **LOC (13) Cl.** ..... **23-03**

(52) **U.S. Cl.**  
USPC ..... **D23/330**

(58) **Field of Classification Search**

USPC ..... D23/330, 333, 335, 341, 342, 351, 353,  
D23/354, 355, 356, 359, 364, 365, 370,  
D23/385, 386, 388, 393

CPC .... F24F 1/00; F24F 1/0007; F24F 1/02; F24F  
1/08; F24F 1/42; F24F 1/56; F24F 1/60;  
F24F 3/044; F24F 3/048; F24F 3/16;  
F24F 7/00; F24F 7/04; F24F 12/001;  
F24F 12/006

See application file for complete search history.

(56) **References Cited**

**U.S. PATENT DOCUMENTS**

D314,613 S \* 2/1991 De'Longhi ..... D23/330  
D341,654 S \* 11/1993 Wortham ..... D23/330

D354,557 S \* 1/1995 Cich, Jr. .... D23/330  
D359,344 S \* 6/1995 De'Longhi ..... D23/317  
D397,193 S \* 8/1998 Boyle ..... D23/317  
D423,090 S \* 4/2000 Barbosa ..... D23/330  
D428,644 S \* 7/2000 De' Longhi ..... D23/330  
D449,675 S \* 10/2001 Shih ..... D23/330  
D530,412 S \* 10/2006 Aydin ..... D23/330  
D624,166 S \* 9/2010 Zanolin ..... D23/330  
D684,245 S \* 6/2013 Dong ..... D23/330  
D785,149 S \* 4/2017 De'Longhi ..... D23/330  
D803,998 S \* 11/2017 De' Longhi ..... D23/330  
D874,624 S \* 2/2020 Liu ..... D23/335  
D881,363 S \* 4/2020 Guo ..... D23/335  
D903,074 S \* 11/2020 Lei ..... D23/335

\* cited by examiner

*Primary Examiner* — Natasha Vujcic

(74) *Attorney, Agent, or Firm* — Morgan, Lewis &  
Bockius LLP

(57) **CLAIM**

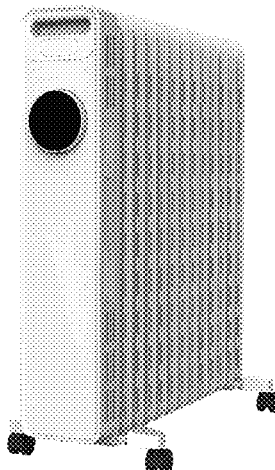
The ornamental design for a heater, as shown and described.

**DESCRIPTION**

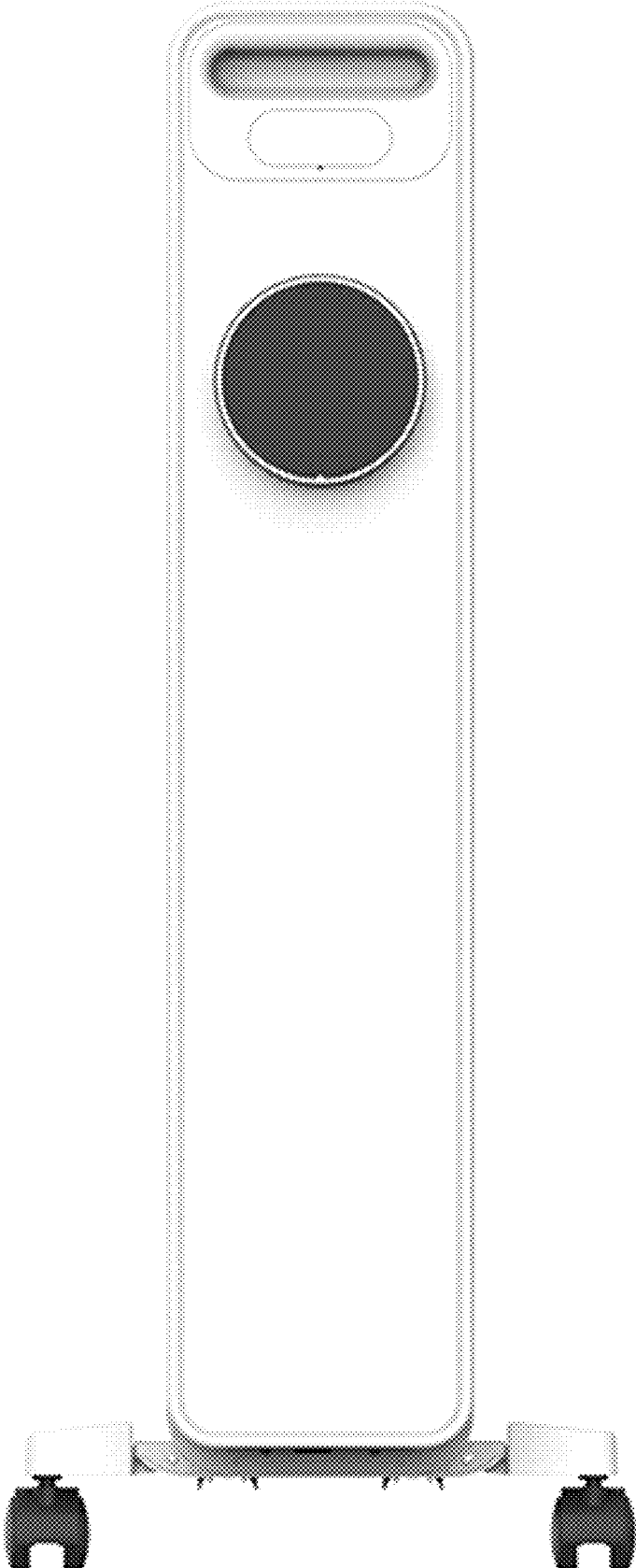
- 1.-2. Heater
- 1.1 : Front
- 1.2 : Back
- 1.3 : Left
- 1.4 : Right
- 1.5 : Top
- 1.6 : Bottom
- 1.7 : Perspective
- 2.1 : Front
- 2.2 : Back
- 2.3 : Left
- 2.4 : Right
- 2.5 : Top
- 2.6 : Bottom
- 2.7 : Perspective

No color is claimed in this application.

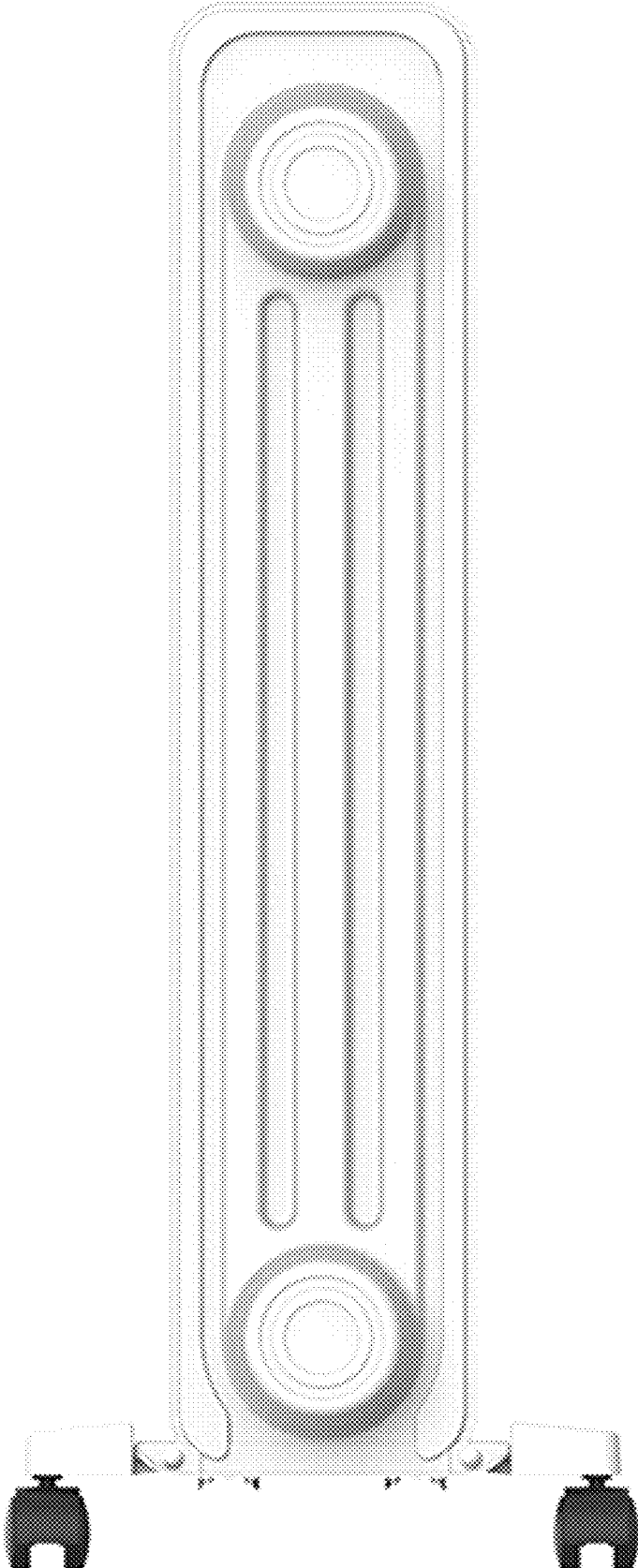
**1 Claim, 14 Drawing Sheets**



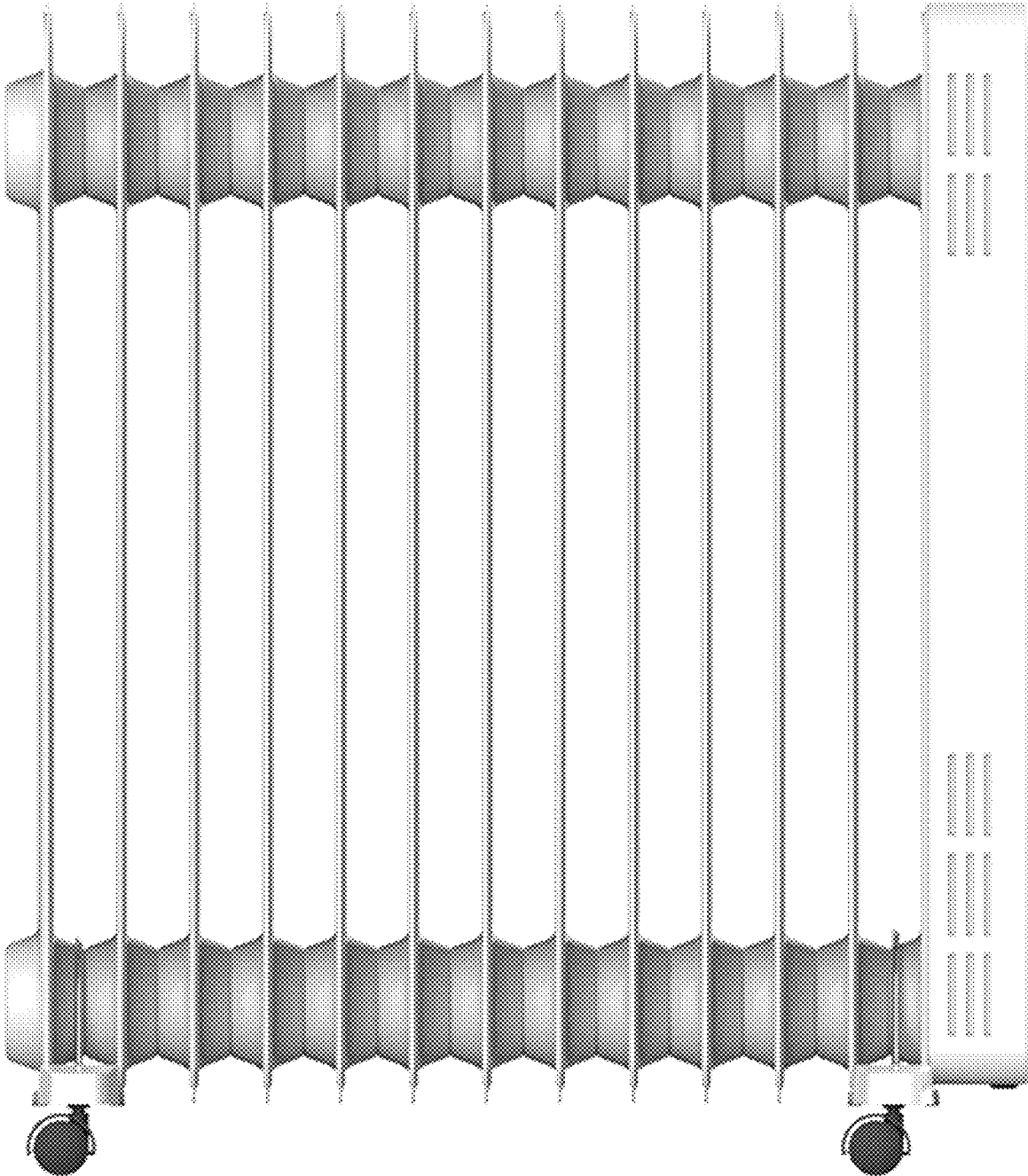
1.1



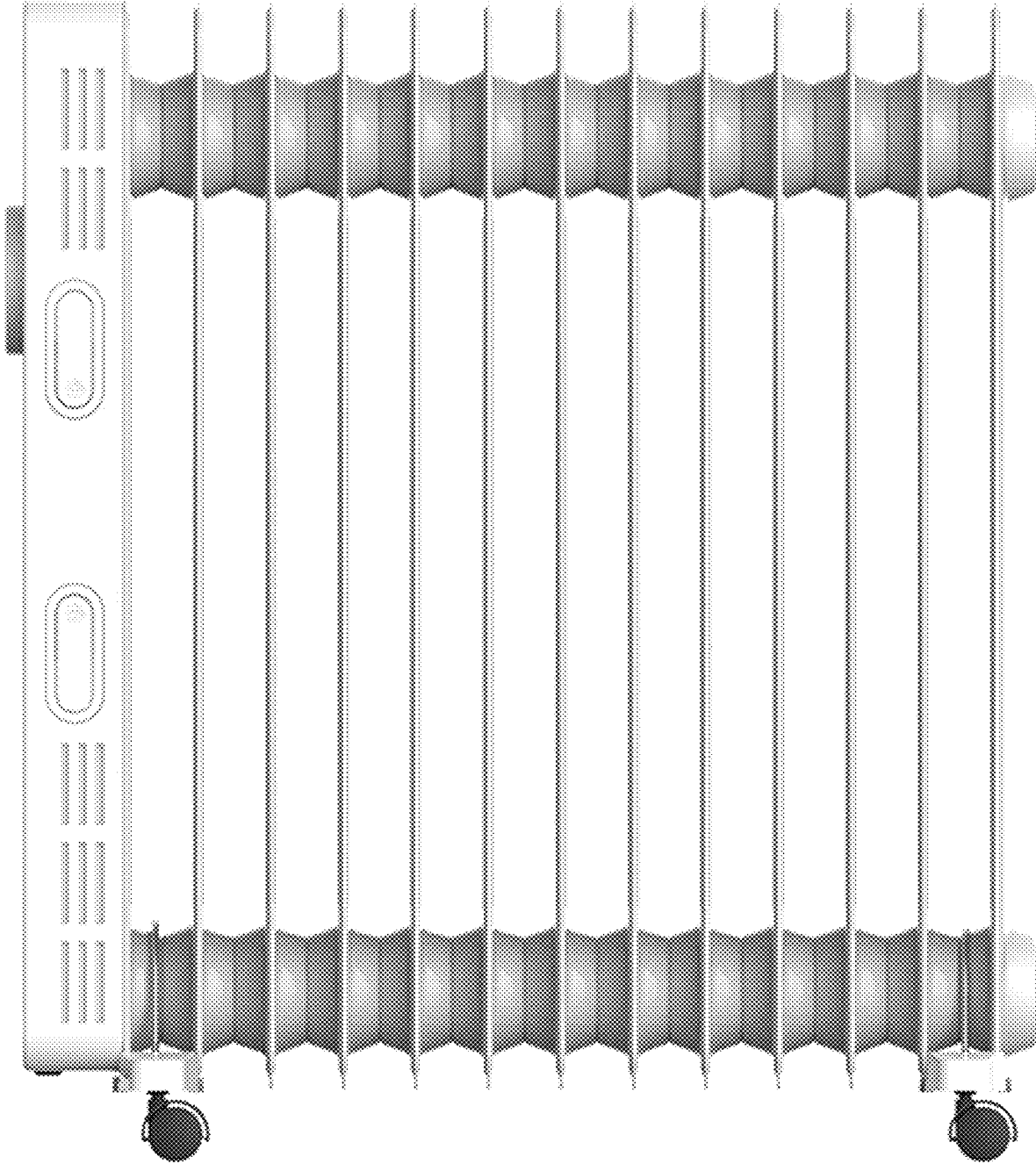
1.2



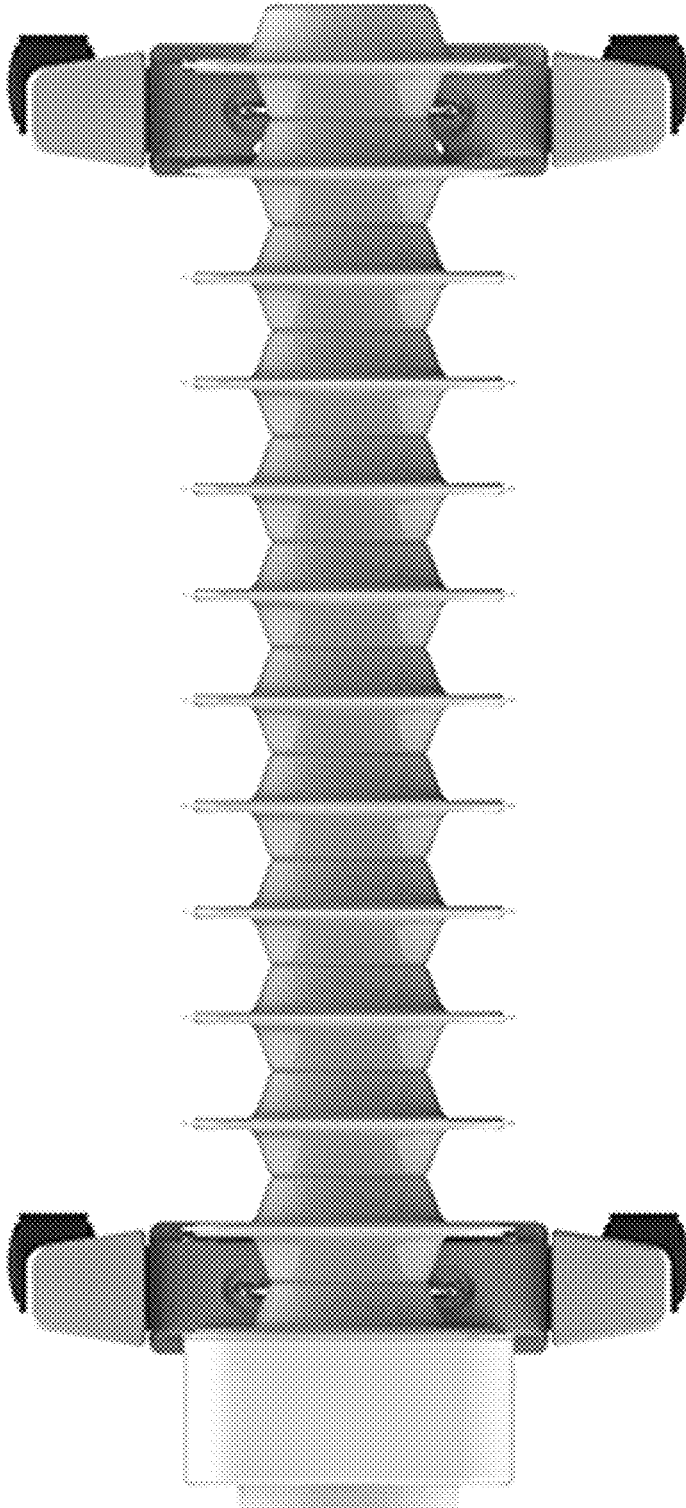
1.3



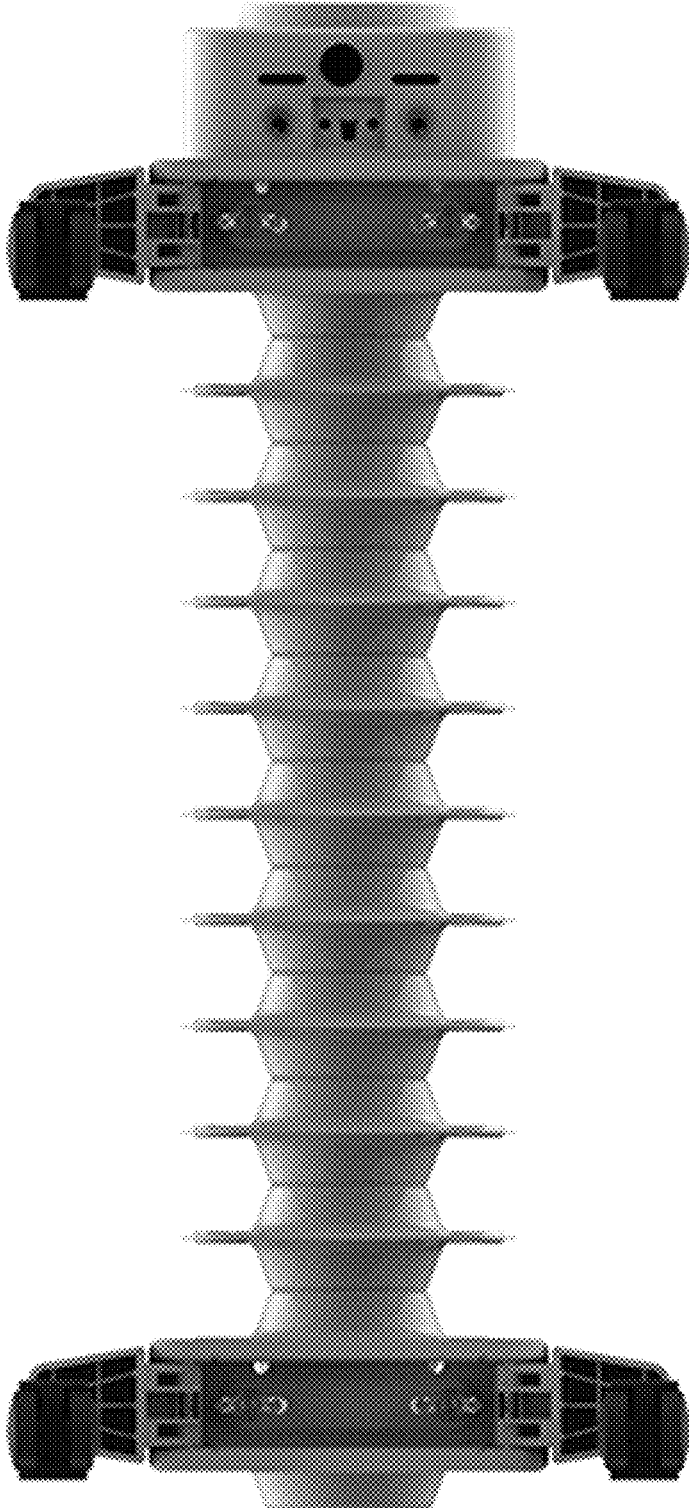
1.4



1.5



1.6



1.7

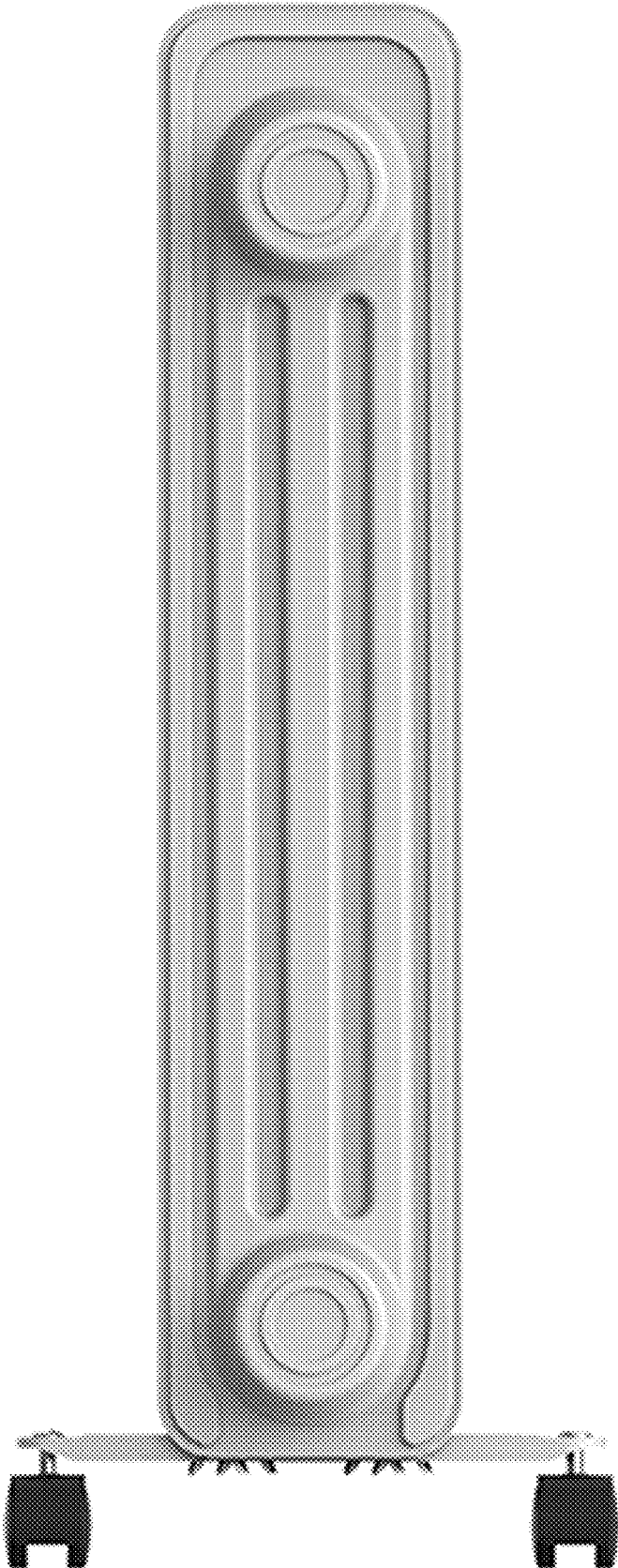




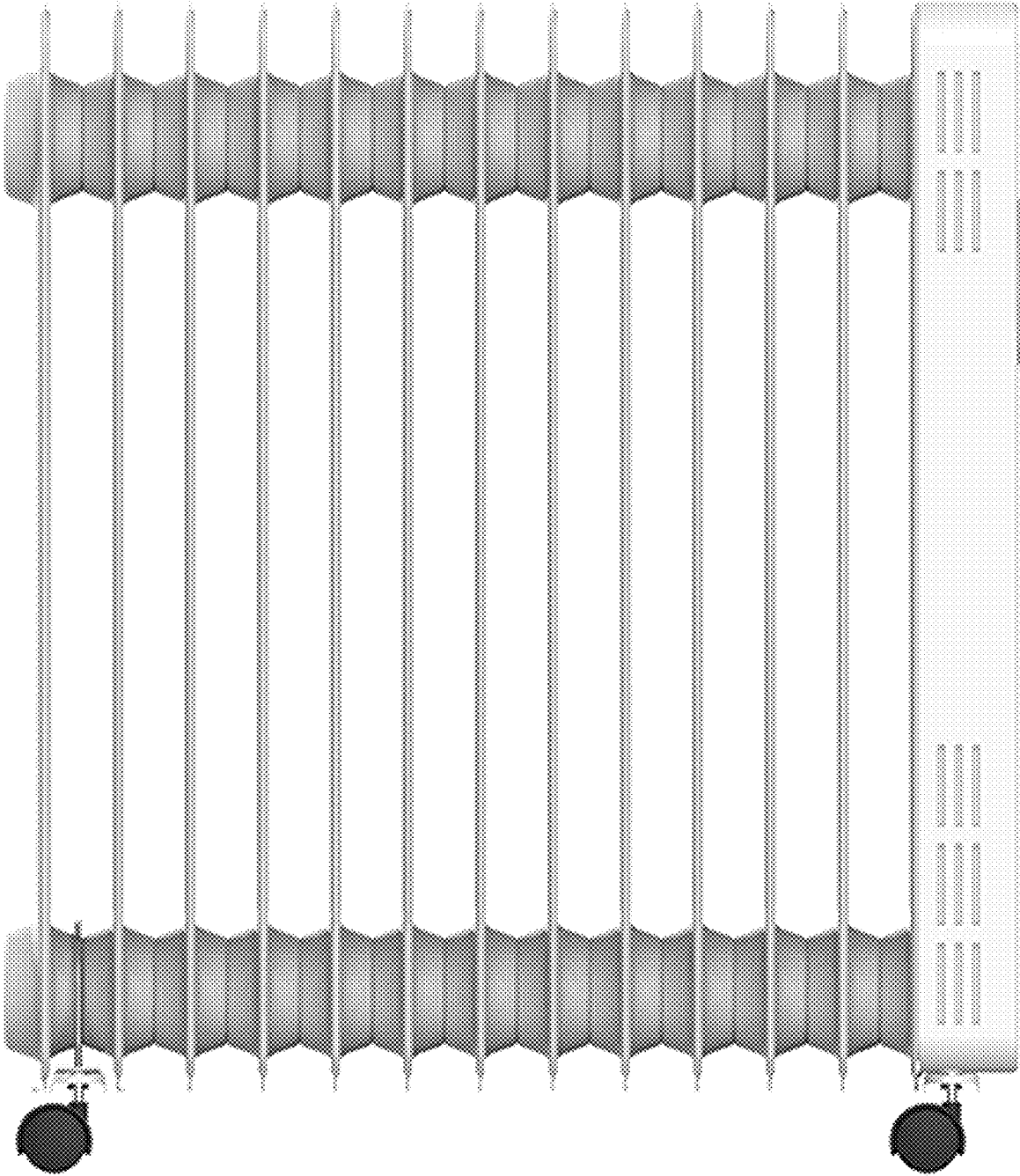
2.1



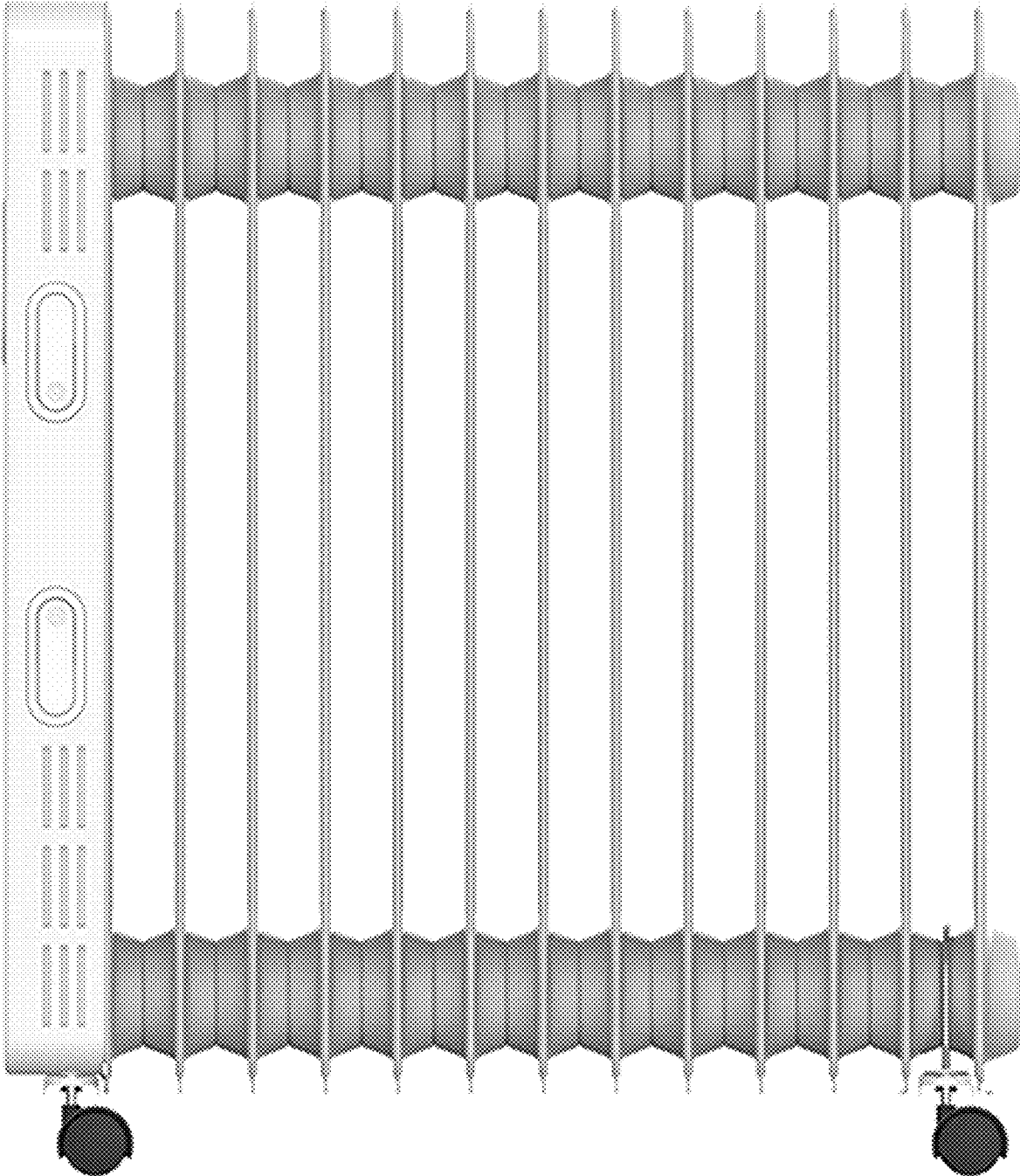
2.2



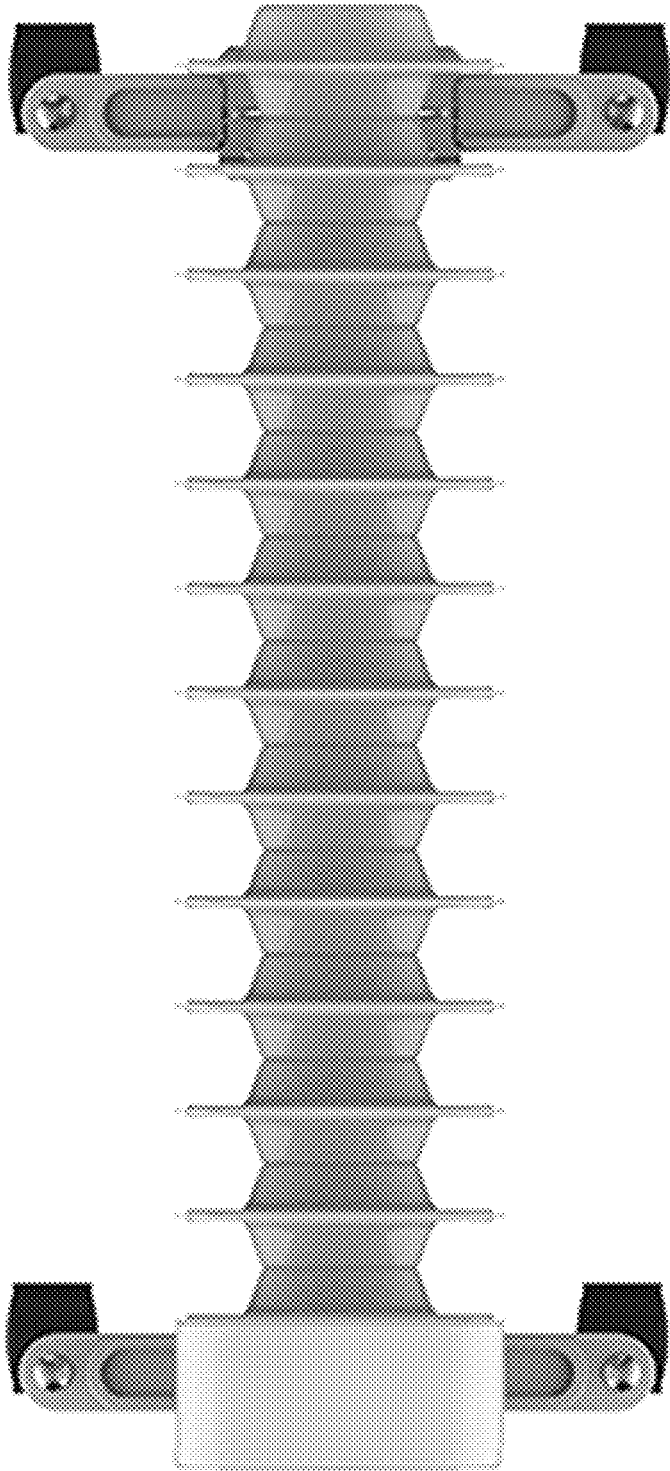
2.3



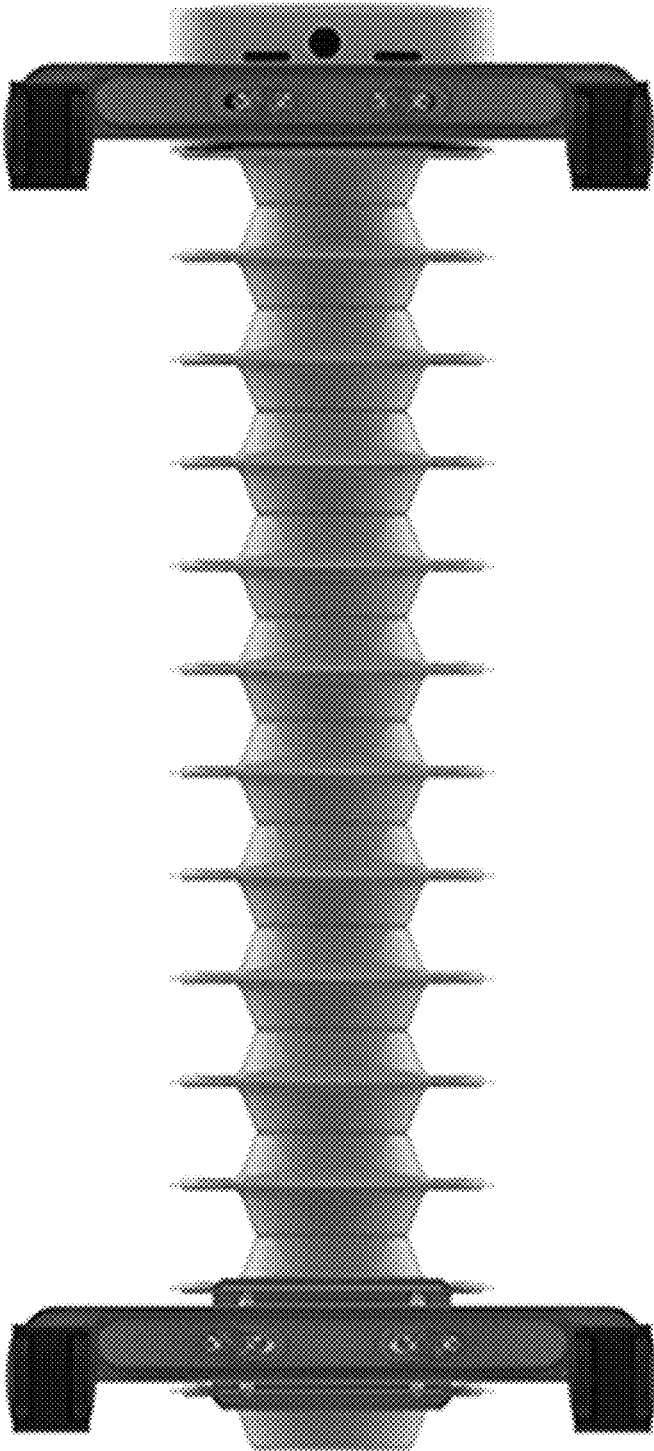
2.4



2.5



2.6



2.7

