



US00D822826S

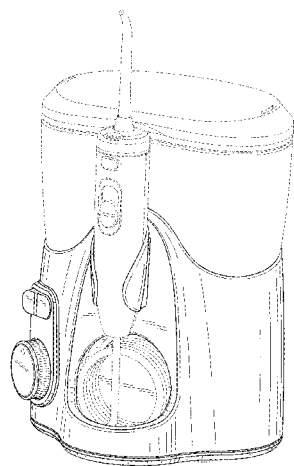
(12) **United States Design Patent**
Au et al.

(10) **Patent No.:** **US D822,826 S**
(45) **Date of Patent:** **** Jul. 10, 2018**

- (54) **ORAL IRRIGATOR BASE**
- (71) Applicant: **WATER PIK, INC.**, Fort Collins, CO (US)
- (72) Inventors: **Heman Au**, Seattle, WA (US); **Jeffrey Ladwig**, Seattle, WA (US)
- (73) Assignee: **Water Pik, Inc.**, Fort Collins, CO (US)
- (**) Term: **15 Years**
- (21) Appl. No.: **29/587,860**
- (22) Filed: **Dec. 15, 2016**
- (51) **LOC (11) Cl.** **24-02**
- (52) **U.S. Cl.**
USPC **D24/111**
- (58) **Field of Classification Search**
USPC D24/108, 111-112, 146, 152, 176-177, D24/200; D4/101, 138
CPC A61C 17/0205; A61C 17/0202; A61C 17/005; A61C 17/028; A61C 17/02; A61C 17/36; A61C 17/00; A61C 17/28; A61C 17/043; A61C 17/225; A61C 17/0211; A61C 17/0214
See application file for complete search history.

2,531,730 A	11/1950	Henderson	
2,595,666 A	5/1952	Hutson	
2,669,233 A	2/1954	Friend	
2,709,227 A	5/1955	Foley et al.	
2,783,919 A	3/1957	Ansell	
2,794,437 A	6/1957	Tash	
2,870,932 A	1/1959	Davis	
2,984,452 A	5/1961	Hooper	
3,089,490 A	5/1963	Goldberg	
3,096,913 A	7/1963	Jousson	
3,144,867 A	8/1964	Trupp et al.	
D202,041 S	8/1965	Burzlaff	
3,209,956 A	10/1965	McKenzie	
3,216,619 A	11/1965	Richards et al.	
3,225,759 A	12/1965	Drapen et al.	
3,227,158 A	1/1966	Mattingly	
3,266,623 A	8/1966	Pofelr	
3,297,558 A	1/1967	Hillquist	
D208,778 S	10/1967	Koch	
D209,202 S	* 11/1967	Fulton	D24/111
D209,203 S	* 11/1967	Mattingly	601/162
D209,204 S	11/1967	St. Clair et al.	
D209,395 S	11/1967	Gilbert	
D210,018 S	1/1968	Mattingly et al.	
D210,019 S	1/1968	Johnson et al.	
3,370,214 A	2/1968	Aymar	
3,391,696 A	7/1968	Woodward	
3,393,673 A	7/1968	Mattingly et al.	
3,400,999 A	9/1968	Goldstein	
3,418,552 A	12/1968	Holmes	
3,420,228 A	1/1969	Kalbfeld	
3,425,410 A	2/1969	Cammack	
3,453,969 A	7/1969	Mattingly	
3,465,751 A	9/1969	Powers	
3,467,083 A	9/1969	Mattingly	
D215,920 S	11/1969	McCarty et al.	
3,487,828 A	1/1970	Troy	
3,489,268 A	1/1970	Meierhoefer	
3,495,587 A	2/1970	Freedman	
3,496,933 A	2/1970	Lloyd	
3,499,440 A	3/1970	Gibbs	
3,500,824 A	3/1970	Gilbert	
3,501,203 A	3/1970	Falk	
3,502,072 A	3/1970	Stillman	
3,517,669 A	6/1970	Buono et al.	
D218,270 S	8/1970	Soper	
3,522,801 A	8/1970	Robinson	
3,532,221 A	10/1970	Kaluhiokalani et al.	
3,536,065 A	10/1970	Moret	
3,537,444 A	11/1970	Garn	
3,538,950 A	11/1970	Porteners	
3,547,110 A	12/1970	Balamuth	
3,561,433 A	2/1971	Kovach	

- (56) **References Cited**
U.S. PATENT DOCUMENTS
- 555,588 A 3/1896 Spencer
- 1,278,225 A 9/1918 Schamberg
- 1,452,258 A 4/1923 Smith
- 1,464,419 A 8/1923 Gill
- 1,480,310 A 1/1924 Smith
- 1,498,267 A 6/1924 Hachman
- 1,650,686 A 11/1927 Binks
- 1,669,889 A 5/1928 Andrews et al.
- 1,681,320 A 8/1928 Bergl et al.
- 1,933,454 A 10/1933 Sidney
- 1,940,111 A 12/1933 Austin
- D93,019 S 8/1934 Hose
- 1,977,782 A 10/1934 Roy
- 2,107,686 A 2/1938 Bramsen et al.
- D159,872 S 8/1950 Skold



US D822,826 S

Page 2

D220,334 S	3/1971	Mackay et al.	4,340,365 A	7/1982	Pisanu
3,570,525 A	3/1971	Borsum	4,340,368 A	7/1982	Lococo
3,572,375 A	3/1971	Rosenberg	D266,117 S	9/1982	Oberheim
3,578,884 A	5/1971	Jacobson	4,353,694 A	10/1982	Pelerin
D220,996 S	6/1971	Irons	4,363,626 A	12/1982	Schmidt et al.
3,583,609 A	6/1971	Oppenheimer	4,365,376 A	12/1982	Oda et al.
3,590,813 A	7/1971	Roszyk	4,370,131 A	1/1983	Banko
3,608,548 A	9/1971	Lewis	4,374,354 A	2/1983	Petrovic et al.
D222,862 S	1/1972	Cook	4,382,167 A	5/1983	Maruyama et al.
3,636,947 A	1/1972	Balamuth	4,382,786 A	5/1983	Lohn
3,651,576 A	3/1972	Massa	D270,000 S	8/1983	Ketler
3,669,101 A	6/1972	Kleiner	4,412,823 A	11/1983	Sakai et al.
3,703,170 A	11/1972	Ryckman, Jr.	4,416,628 A	11/1983	Cammack
3,747,595 A	7/1973	Grossan	4,442,830 A	4/1984	Markau
3,768,472 A	10/1973	Hodosh et al.	4,442,831 A	4/1984	Trenary
3,783,364 A	1/1974	Gallanis et al.	4,452,238 A	6/1984	Kerr
3,809,506 A	5/1974	Malcosky	4,454,866 A	6/1984	Fayen
3,809,977 A	5/1974	Balamuth et al.	4,512,769 A	4/1985	Kozam et al.
3,811,432 A	5/1974	Moret	4,517,962 A	5/1985	Heckele
3,820,532 A	6/1974	Eberhardt et al.	4,531,912 A	7/1985	Schuss et al.
3,827,147 A	8/1974	Condon	4,531,913 A	7/1985	Taguchi
3,837,166 A	9/1974	Hiraoka	4,534,340 A	8/1985	Kerr et al.
3,840,795 A	10/1974	Roszyk et al.	4,552,130 A	11/1985	Kinoshita
3,847,145 A	11/1974	Grossan	4,561,214 A	12/1985	Inoue
3,854,209 A	12/1974	Franklin et al.	D283,374 S	4/1986	Cheuk-Yiu
3,863,628 A	2/1975	Vit	4,585,415 A	4/1986	Hommann
3,871,560 A	3/1975	Crippa	4,591,777 A	5/1986	McCarty et al.
3,874,506 A	4/1975	Hill et al.	4,592,728 A	6/1986	Davis
3,912,125 A	10/1975	Acklin	4,602,906 A	7/1986	Grunenfelder
3,943,628 A	3/1976	Kronman et al.	4,607,627 A	8/1986	Leber et al.
3,959,883 A	6/1976	Walls et al.	4,613,074 A	9/1986	Schulze
3,973,558 A	8/1976	Stouffer et al.	4,619,009 A	10/1986	Rosenstatter
3,977,084 A	8/1976	Sloan	4,619,612 A	10/1986	Weber et al.
4,001,526 A	1/1977	Olson	4,629,425 A	12/1986	Detsch
4,004,302 A	1/1977	Hori	4,636,198 A	1/1987	Stade
4,007,739 A	2/1977	Bron et al.	4,642,037 A	2/1987	Fritchman
4,013,227 A	3/1977	Herrera	4,644,937 A	2/1987	Hommann
4,052,002 A	10/1977	Stouffer et al.	4,645,488 A	2/1987	Matukas
D246,667 S	12/1977	Mackay et al.	4,647,831 A	3/1987	O'Malley et al.
D246,668 S	12/1977	Mackay et al.	4,648,838 A	3/1987	Schlachter
4,060,870 A	12/1977	Cannarella	4,650,475 A	3/1987	Smith et al.
4,075,761 A	2/1978	Behne et al.	4,655,198 A	4/1987	Hommann
4,078,558 A	3/1978	Woog et al.	4,669,453 A	6/1987	Atkinson et al.
4,094,311 A	6/1978	Hudson	4,672,953 A	6/1987	DiVito
4,108,167 A	8/1978	Hickman et al.	4,673,396 A	6/1987	Urbaniak
4,108,178 A	8/1978	Betush	D291,354 S	8/1987	Camens
4,109,650 A	8/1978	Peclard	4,716,352 A	12/1987	Hurn et al.
4,122,845 A	10/1978	Stouffer et al.	4,749,340 A	6/1988	Ikeda et al.
4,135,501 A	1/1979	Leunissan	4,770,632 A	9/1988	Ryder et al.
4,141,352 A	2/1979	Ebner et al.	D298,565 S	11/1988	Kohler, Jr. et al.
4,144,646 A	3/1979	Takemoto et al.	4,783,321 A	11/1988	Spence
4,149,315 A	4/1979	Page, Jr. et al.	4,787,845 A	11/1988	Valentine
4,154,375 A	5/1979	Bippus	4,787,847 A	11/1988	Martin et al.
4,160,383 A	7/1979	Rauschenberger	4,798,292 A	1/1989	Hauze
4,171,572 A	10/1979	Nash	4,803,974 A	2/1989	Powell
4,182,038 A	1/1980	Fleer	4,804,364 A	2/1989	Dieras et al.
4,200,235 A	4/1980	Monschke	4,818,229 A	4/1989	Vasile
4,201,200 A	5/1980	Hubner	4,820,152 A	4/1989	Warrin et al.
4,215,476 A	8/1980	Armstrong	4,821,923 A	4/1989	Skorka
4,219,618 A	8/1980	Leonard	4,824,368 A	4/1989	Hickman
4,227,878 A	10/1980	Lohn	4,826,431 A	5/1989	Fujimura et al.
4,229,634 A	10/1980	Hickman et al.	4,827,551 A	5/1989	Maser et al.
4,236,889 A	12/1980	Wright	4,832,683 A	5/1989	Idemoto et al.
D258,097 S	2/1981	Wistrand	4,854,869 A	8/1989	Lawhorn
4,248,589 A	2/1981	Lewis	4,861,340 A	8/1989	Smith et al.
4,249,899 A	2/1981	Davis	4,862,876 A	9/1989	Lih-Sheng
4,257,458 A	3/1981	Kondo et al.	4,869,720 A	9/1989	Chernack
4,262,799 A	4/1981	Perrett	4,880,382 A	11/1989	Moret et al.
4,266,934 A	5/1981	Pernot	4,886,452 A	12/1989	Lohn
4,276,023 A	6/1981	Phillips et al.	4,900,252 A	2/1990	Liefke et al.
4,276,880 A	7/1981	Malmin	4,902,225 A	2/1990	Lohn
4,302,186 A	11/1981	Cammack et al.	4,903,687 A	2/1990	Lih-Sheng
4,303,064 A	12/1981	Buffa	4,906,187 A	3/1990	Amadera
4,303,070 A	12/1981	Ichikawa et al.	4,907,744 A	3/1990	Jousson
4,306,862 A	12/1981	Knox	4,915,304 A	4/1990	Campani
4,315,741 A	2/1982	Reichl	4,925,450 A	5/1990	Imonti et al.
4,319,568 A	3/1982	Tregoning	4,928,675 A	5/1990	Thornton
4,331,422 A	5/1982	Heyman	4,930,660 A	6/1990	Porteous
4,337,040 A	6/1982	Cammack et al.	4,941,459 A	7/1990	Mathur

US D822,826 S

Page 3

4,950,159 A	8/1990	Hansen	5,302,123 A	4/1994	Bechard
4,958,629 A	9/1990	Peace et al.	5,317,691 A	5/1994	Traeger
4,958,751 A	9/1990	Curtis et al.	5,321,865 A	6/1994	Kaeser
4,959,199 A	9/1990	Brewer	5,331,704 A	7/1994	Rosen et al.
4,961,698 A	10/1990	Vlock	5,344,317 A	9/1994	Pacher et al.
4,966,551 A	10/1990	Betush	5,346,677 A	9/1994	Risk
4,969,874 A	11/1990	Michel et al.	D351,892 S	10/1994	Wolf et al.
4,973,246 A	11/1990	Black	5,360,338 A	11/1994	Waggoner
4,973,247 A	11/1990	Varnes et al.	5,368,548 A	11/1994	Jousson
4,973,250 A	11/1990	Milman	5,370,534 A	12/1994	Wolf et al.
4,975,054 A	12/1990	Esrock	D354,168 S	1/1995	Hartwein
4,979,503 A	12/1990	Chernack	D354,559 S	1/1995	Knute
4,979,504 A	12/1990	Mills	5,378,149 A	1/1995	Stropko
4,989,590 A	2/1991	Baum et al.	5,380,201 A	1/1995	Kawata
4,998,880 A	3/1991	Nerli	D356,864 S	3/1995	Woog
5,013,241 A	5/1991	Von Gutfeld et al.	5,399,089 A	3/1995	Eichman et al.
5,014,884 A	5/1991	Wunsch	D358,883 S	5/1995	Vos
5,019,054 A	5/1991	Clement et al.	5,456,672 A	10/1995	Diederich et al.
5,027,798 A	7/1991	Primiano	5,465,445 A	11/1995	Yeh
5,029,576 A	7/1991	Evans, Sr.	5,467,495 A	11/1995	Boland et al.
5,033,617 A	7/1991	Hartwein et al.	5,468,148 A	11/1995	Ricks
5,033,961 A	7/1991	Kandler et al.	5,470,305 A	11/1995	Arnett et al.
D318,918 S	8/1991	Hartwein	5,474,450 A	12/1995	Chronister
5,046,486 A	9/1991	Grulke et al.	5,474,451 A	12/1995	Dalrymple et al.
5,049,071 A	9/1991	Davis et al.	5,476,379 A	12/1995	Disel
5,060,825 A	10/1991	Palmer et al.	5,484,281 A	1/1996	Renow et al.
5,061,180 A	10/1991	Wiele	5,487,877 A	1/1996	Choi
5,062,795 A	11/1991	Woog	5,490,779 A	2/1996	Malmin
5,064,168 A	11/1991	Raines et al.	5,505,916 A	4/1996	Berry, Jr.
D322,314 S	12/1991	Ohbayashi	D369,656 S	5/1996	Vos
5,071,346 A	12/1991	Domaas	D370,125 S	5/1996	Craft et al.
5,082,115 A	1/1992	Hutcheson	5,525,058 A	6/1996	Gallant et al.
5,082,443 A	1/1992	Lohn	5,526,841 A	6/1996	Detsch et al.
5,085,317 A	2/1992	Jensen et al.	5,540,587 A	7/1996	Malmin
5,086,756 A	2/1992	Powell	5,547,374 A	8/1996	Coleman
5,095,893 A	3/1992	Rawden, Jr.	D373,631 S	9/1996	Maeda et al.
5,098,291 A	3/1992	Curtis et al.	5,554,014 A	9/1996	Becker
5,098,676 A	3/1992	Brooks, Jr.	5,554,025 A	9/1996	Kinsel
5,100,319 A	3/1992	Baum	5,556,001 A	9/1996	Weissman et al.
5,117,871 A	6/1992	Gardner et al.	5,564,629 A	10/1996	Weissman et al.
5,125,835 A	6/1992	Young	D376,893 S	12/1996	Gornet
5,127,831 A	7/1992	Bab	D377,091 S	12/1996	Scott, Sr.
5,142,723 A	9/1992	Lustig et al.	5,613,259 A	3/1997	Craft et al.
5,150,841 A	9/1992	Silvenis et al.	5,616,028 A	4/1997	Hafele et al.
5,172,810 A	12/1992	Brewer	5,626,472 A	5/1997	Pennetta
5,173,273 A	12/1992	Brewer	5,634,791 A	6/1997	Matsuura et al.
5,183,035 A	2/1993	Weir	5,636,987 A	6/1997	Serfaly
5,197,458 A	3/1993	Ito et al.	5,640,735 A	6/1997	Manning
5,197,460 A	3/1993	Ito et al.	D382,407 S	8/1997	Craft et al.
5,199,871 A	4/1993	Young	5,653,591 A	8/1997	Loge
5,203,697 A	4/1993	Malmin	5,659,995 A	8/1997	Hoffman
5,203,769 A	4/1993	Clement et al.	5,667,483 A	9/1997	Santos
5,204,004 A	4/1993	Johnston et al.	D386,576 S	11/1997	Wang et al.
5,208,933 A	5/1993	Lustig et al.	5,683,192 A	11/1997	Kilfoil
5,215,193 A	6/1993	Dennis	5,685,829 A	11/1997	Allen
5,218,956 A	6/1993	Handler et al.	5,685,851 A	11/1997	Murphy et al.
5,220,914 A	6/1993	Thompson	5,697,784 A	12/1997	Hafele et al.
5,228,646 A	7/1993	Raines	D388,612 S	1/1998	Stutzer et al.
5,230,624 A	7/1993	Wolf et al.	D388,613 S	1/1998	Stutzer et al.
5,232,687 A	8/1993	Geimer	D389,091 S	1/1998	Dickinson
5,235,968 A	8/1993	Woog	5,709,545 A	1/1998	Johnston et al.
5,241,714 A	9/1993	Barry	D390,934 S	2/1998	McKeone
5,246,367 A	9/1993	Ito et al.	5,716,007 A	2/1998	Nottingham et al.
5,252,064 A	10/1993	Baum et al.	5,718,668 A	2/1998	Arnett et al.
D341,200 S	11/1993	Yoshimoto	5,746,595 A	5/1998	Ford
5,257,933 A	11/1993	Jousson	5,749,726 A	5/1998	Kinsel
5,261,448 A	11/1993	Furuya et al.	5,759,502 A	6/1998	Spencer et al.
D341,943 S	12/1993	Si-Hoe	5,779,471 A	7/1998	Tseng et al.
5,267,586 A	12/1993	Jankavaara	5,779,654 A	7/1998	Foley et al.
5,269,684 A	12/1993	Fischer	5,795,153 A	8/1998	Rechmann
5,281,137 A	1/1994	Jousson	5,796,325 A	8/1998	Lundell et al.
5,281,139 A	1/1994	Frank et al.	5,833,065 A	11/1998	Burgess
5,282,745 A	2/1994	Wiltrout et al.	5,836,030 A	11/1998	Hazeu et al.
5,286,192 A	2/1994	Dixon	D402,744 S	12/1998	Zuege
5,286,201 A	2/1994	Yu	5,851,079 A	12/1998	Horstman et al.
5,295,832 A	3/1994	Evans	D403,511 S	1/1999	Serbinski
5,297,962 A	3/1994	O'Connor et al.	D406,334 S	3/1999	Rosenthal et al.
D346,212 S	4/1994	Hosl	5,876,201 A	3/1999	Wilson et al.
5,301,381 A	4/1994	Klupt	D408,511 S	4/1999	Allen et al.

US D822,826 S

5,901,397 A	5/1999	Häfele et al.	6,766,549 B2	7/2004	Klupt
5,934,902 A	8/1999	Abahusayn	D495,142 S	8/2004	Berde
D413,975 S	9/1999	Maeda	D495,143 S	8/2004	Berde
D416,999 S	11/1999	Miyamoto	6,779,216 B2	8/2004	Davies et al.
D417,082 S	11/1999	Classen et al.	6,783,004 B1	8/2004	Rinner
5,993,402 A	11/1999	Sauer et al.	6,783,505 B1	8/2004	Lai
6,030,215 A	2/2000	Ellion et al.	6,796,796 B2	9/2004	Segal
6,038,960 A	3/2000	Fukushima et al.	6,808,331 B2	10/2004	Hall et al.
6,039,180 A	3/2000	Grant	D498,643 S	11/2004	Pryor
6,047,429 A	4/2000	Wu	6,814,259 B1	11/2004	Foster et al.
D424,181 S	5/2000	Caplow	D499,885 S	12/2004	Xi
D425,615 S	5/2000	Bachman et al.	6,835,181 B2	12/2004	Hippensteel
D425,981 S	5/2000	Bachman et al.	D500,599 S	1/2005	Callaghan
6,056,548 A	5/2000	Neuberger et al.	6,837,708 B2	1/2005	Chen et al.
6,056,710 A	5/2000	Bachman et al.	6,884,069 B2	4/2005	Goldman
D426,633 S	6/2000	Bachman et al.	6,902,337 B1	6/2005	Kuo
6,089,865 A	7/2000	Edgar	6,907,879 B2	6/2005	Drinan et al.
6,116,866 A	9/2000	Tomita et al.	D509,585 S	9/2005	Kling et al.
6,120,755 A	9/2000	Jacobs	D513,638 S	1/2006	Pan
6,124,699 A	9/2000	Suzuki et al.	D515,215 S	2/2006	Wang
D434,500 S	11/2000	Pollock et al.	D522,652 S	6/2006	Massey
6,159,006 A	12/2000	Cook et al.	7,080,980 B2	7/2006	Klupt
6,164,967 A	12/2000	Sale et al.	D529,661 S	10/2006	Schmidt
D435,905 S	1/2001	Bachman et al.	D530,010 S	10/2006	Luetngen et al.
D437,049 S	1/2001	Hartwein	7,117,555 B2	10/2006	Fattori et al.
6,193,512 B1	2/2001	Wallace	D532,570 S	11/2006	Vizcarra
6,193,932 B1	2/2001	Wu et al.	7,131,838 B2	11/2006	Suzuki et al.
6,199,239 B1	3/2001	Dickerson	D533,720 S	12/2006	Vu
6,200,134 B1	3/2001	Kovac	D538,474 S	3/2007	Sheppard et al.
D439,781 S	4/2001	Spore	D548,334 S	8/2007	Izumi
6,217,835 B1	4/2001	Riley et al.	D550,097 S	9/2007	Lepoitevin
D441,861 S	5/2001	Hafliger	D553,980 S	10/2007	VerWeyst
6,233,773 B1	5/2001	Karge et al.	7,276,035 B2	10/2007	Lu
6,234,205 B1	5/2001	D'Amelio et al.	7,314,456 B2	1/2008	Shaw
6,237,178 B1	5/2001	Krammer et al.	D565,175 S *	3/2008	Boyd D24/111
6,247,929 B1	6/2001	Bachman et al.	7,344,510 B1	3/2008	Yande
6,280,190 B1	8/2001	Hoffman	D565,713 S	4/2008	Gao
D448,236 S	9/2001	Murray	7,367,803 B2	5/2008	Egeresi
6,293,792 B1	9/2001	Hanson	D574,952 S	8/2008	Boyd et al.
D449,884 S	10/2001	Tobin et al.	D577,198 S	9/2008	Jimenez
D453,453 S	2/2002	Lun	D577,814 S	9/2008	Seki et al.
D455,201 S	4/2002	Jones	D581,279 S	11/2008	Oates
D455,203 S	4/2002	Jones	7,455,521 B2	11/2008	Fishburne, Jr.
6,363,565 B1	4/2002	Paffrath	7,469,440 B2	12/2008	Boland et al.
D457,949 S	5/2002	Krug	D585,132 S	1/2009	Pukall
D464,799 S	10/2002	Crossman et al.	D588,262 S	3/2009	Pukall
6,468,482 B1	10/2002	Frieze et al.	7,500,584 B2	3/2009	Schutz
6,475,173 B1	11/2002	Bachman et al.	D590,492 S	4/2009	Powell
6,485,451 B1	11/2002	Roberts et al.	D592,748 S	5/2009	Boulton
6,497,375 B1	12/2002	Srinath et al.	D595,136 S	6/2009	Canamasas Puigbo
6,497,572 B2	12/2002	Hood et al.	D601,694 S	10/2009	Rocklin
6,502,584 B1	1/2003	Fordham	D601,697 S	10/2009	Sobeich et al.
D470,660 S	2/2003	Schaber	D603,708 S	11/2009	Handy
6,558,344 B2	5/2003	McKinnon et al.	D608,430 S	1/2010	Slothower
6,561,808 B2	5/2003	Neuberger et al.	7,670,141 B2	3/2010	Thomas et al.
D475,346 S	6/2003	McCurrach et al.	7,677,888 B1	3/2010	Halm
D476,743 S	7/2003	D'Silva et al.	D613,550 S	4/2010	Picozza et al.
6,589,477 B1	7/2003	Frieze et al.	D621,949 S	8/2010	Seki et al.
6,602,071 B1	8/2003	Ellion et al.	D622,928 S	9/2010	Griebel
6,632,091 B1	10/2003	Cise et al.	D623,376 S	9/2010	Griebel
D482,451 S	11/2003	Page et al.	D625,406 S	10/2010	Seki et al.
6,640,999 B2	11/2003	Peterson	7,814,585 B1	10/2010	Reich
6,647,577 B2	11/2003	Tam	D626,647 S	11/2010	Amborn
6,659,674 B2	12/2003	Carlucci et al.	D629,884 S	12/2010	Stephens
6,663,386 B1	12/2003	Moelsgaard	7,857,623 B2	12/2010	Grez
6,669,059 B2	12/2003	Mehta	7,862,536 B2	1/2011	Chen et al.
D484,971 S	1/2004	Hartwein	7,959,597 B2	6/2011	Baker et al.
6,681,418 B1	1/2004	Bierend	D640,872 S	7/2011	Nanda
D486,573 S	2/2004	Callaghan et al.	D648,539 S	11/2011	Wai
6,689,078 B1	2/2004	Rehkemper et al.	D651,409 S	1/2012	Papenfu
6,699,208 B2	3/2004	Bachman et al.	D651,805 S	1/2012	Hay
6,719,561 B2	4/2004	Gugel et al.	D653,340 S	1/2012	Goerge et al.
D489,183 S	5/2004	Akahori et al.	8,113,832 B2	2/2012	Snyder et al.
6,739,782 B1	5/2004	Rehkemper et al.	D655,380 S	3/2012	Taylor
6,740,053 B2	5/2004	Kaplowitz	D658,381 S	5/2012	Gebski
D490,899 S	6/2004	Gagnon	D658,538 S	5/2012	Korzeniowski
D491,728 S	6/2004	Jimenez	8,220,726 B2	7/2012	Qiu et al.
D492,996 S	7/2004	Rehkemper et al.	D666,912 S	9/2012	Kawai
6,761,324 B2	7/2004	Chang	8,256,979 B2	9/2012	Hilscher et al.

US D822,826 S

D668,339 S	10/2012	Luoto	2007/0203439 A1*	8/2007	Boyd	A61C 1/0084
D669,169 S	10/2012	Washington et al.				601/162
8,297,534 B2	10/2012	Li et al.	2007/0254260 A1	11/2007	Alden	
D670,373 S	11/2012	Taylor et al.	2008/0189951 A1	8/2008	Molema et al.	
D670,958 S	11/2012	Picozza et al.	2008/0213719 A1	9/2008	Giniger et al.	
D671,637 S	11/2012	Gebbski et al.	2008/0253906 A1	10/2008	Strong	
D672,018 S	12/2012	Bucher	2009/0070949 A1	3/2009	Sagel et al.	
8,366,024 B2	2/2013	Leber et al.	2009/0082706 A1	3/2009	Shaw	
8,403,577 B2	3/2013	Khoshnevis	2009/0124945 A1	5/2009	Reich et al.	
8,403,665 B2	3/2013	Thomas et al.	2009/0163839 A1	6/2009	Alexander	
8,408,483 B2	4/2013	Boyd et al.	2009/0188780 A1	7/2009	Watanabe	
8,418,300 B2	4/2013	Miller et al.	2009/0281454 A1	11/2009	Baker et al.	
D686,311 S	7/2013	Mori	2010/0010524 A1	1/2010	Barrington	
D694,378 S	11/2013	Bates	2010/0015566 A1	1/2010	Shaw	
D694,398 S	11/2013	Taylor	2010/0190132 A1	7/2010	Taylor et al.	
D700,343 S	2/2014	Liu	2010/0239998 A1*	9/2010	Snyder	A61C 17/02
D702,819 S	4/2014	Garland				433/29
D702,821 S	4/2014	Garland	2010/0261134 A1	10/2010	Boyd et al.	
D707,350 S	6/2014	Woodard	2010/0261137 A1	10/2010	Boyd et al.	
D709,183 S	7/2014	Kemlein	2010/0326536 A1	12/2010	Nan	
D714,929 S	10/2014	Kim et al.	2010/0330527 A1	12/2010	Boyd et al.	
D714,930 S	10/2014	Kim et al.	2011/0027749 A1	2/2011	Syed	
D717,412 S	11/2014	Bucher	2011/0076090 A1	3/2011	Wu et al.	
D717,427 S	11/2014	Kim	2011/0097683 A1	4/2011	Boyd et al.	
D718,855 S	12/2014	Kim et al.	2011/0139826 A1	6/2011	Hair et al.	
D723,387 S	3/2015	Fath	2011/0144588 A1	6/2011	Taylor et al.	
D725,770 S	3/2015	Kim et al.	2011/0184341 A1	7/2011	Baker et al.	
D731,640 S	6/2015	Kim et al.	2011/0307039 A1	12/2011	Cornell	
D735,305 S	7/2015	Obara	2012/0021374 A1*	1/2012	Cacka	A61C 17/02
D740,936 S*	10/2015	Kim				433/82
D745,329 S	12/2015	Ong	2012/0045730 A1*	2/2012	Sayder	A61C 17/02
D745,423 S	12/2015	Khattak				433/29
D746,975 S	1/2016	Schenck	2012/0064480 A1	3/2012	Hegemann	
D747,464 S	1/2016	Taylor	2012/0077145 A1	3/2012	Tsurukawa	
D754,330 S	4/2016	Kim et al.	2012/0141952 A1	6/2012	Snyder et al.	
D756,122 S	5/2016	Taylor	2012/0179118 A1	7/2012	Hair	
D764,051 S*	8/2016	Wang				D24/111
D766,423 S	9/2016	Kim et al.	2012/0189976 A1	7/2012	McDonough et al.	
D772,396 S	11/2016	Kim et al.	2012/0266396 A1	10/2012	Leung	
D772,397 S	11/2016	Kim et al.	2012/0277663 A1	11/2012	Millman et al.	
D774,651 S	12/2016	Kaib	2012/0277677 A1	11/2012	Taylor et al.	
D776,253 S	1/2017	Li	2012/0277678 A1	11/2012	Taylor et al.	
D782,326 S	3/2017	Fath	2012/0279002 A1	11/2012	Sokol et al.	
D782,656 S	3/2017	Au	2012/0295220 A1	11/2012	Thomas et al.	
D786,422 S	5/2017	Au	2013/0295520 A1	11/2013	Hsieh	
9,642,677 B2*	5/2017	Luetngen	2014/0106296 A1	4/2014	Woodard et al.	
D788,907 S*	6/2017	Kim	2014/0193774 A1	7/2014	Snyder et al.	
D798,440 S*	9/2017	Kim	2014/0259474 A1	9/2014	Sokol et al.	
2002/0090252 A1	7/2002	Hall et al.	2014/0272769 A1	9/2014	Luetngen et al.	
2002/0108193 A1	8/2002	Gruber	2014/0272782 A1*	9/2014	Luetngen	A61H 13/005
2002/0119415 A1	8/2002	Bailey				433/80
2002/0152565 A1	10/2002	Klupt	2014/0352088 A1	12/2014	Wu	
2003/0060743 A1	3/2003	Chang	2015/0004559 A1	1/2015	Luetngen et al.	
2003/0098249 A1	5/2003	Rollock	2015/0147717 A1*	5/2015	Taylor	A61C 17/0202
2003/0204155 A1	10/2003	Egeresi				433/80
2003/0213075 A1	11/2003	Hui et al.	2015/0173850 A1	6/2015	Garrigues et al.	
2004/0045107 A1	3/2004	Egeresi	2015/0182319 A1*	7/2015	Wagner	A61C 17/0202
2004/0076921 A1	4/2004	Gofman et al.				132/308
2004/0122377 A1	6/2004	Fischer et al.	2016/0100921 A1	4/2016	Ungar	
2004/0126730 A1	7/2004	Panagotacos	2016/0151133 A1	6/2016	Luetngen et al.	
2004/0209222 A1	10/2004	Snyder	2017/0049530 A1*	2/2017	Cacka	A61C 17/028
2005/0049620 A1	3/2005	Chang	2017/0239132 A1*	8/2017	Luetngen	A61H 13/005
2005/0064371 A1	3/2005	Soukos et al.	2017/0252251 A1*	9/2017	Williams	A61C 17/0202
2005/0101894 A1	5/2005	Hippensteel				
2005/0102773 A1	5/2005	Obermann et al.				
2005/0144745 A1	7/2005	Russell				
2005/0177079 A1	8/2005	Pan				
2005/0271531 A1	12/2005	Brown et al.	CA	851479	9/1970	
2006/0008373 A1	1/2006	Schutz	CH	655237	4/1986	
2006/0010624 A1	1/2006	Cleland	CN	204049908	12/2014	
2006/0026784 A1	2/2006	Moskovich et al.	DE	1466963	5/1969	
2006/0057539 A1	3/2006	Sodo	DE	2019003	11/1971	
2006/0078844 A1	4/2006	Goldman et al.	DE	2409752	9/1975	
2006/0079818 A1	4/2006	Yande	DE	2545936	4/1977	
2007/0082316 A1	4/2007	Zhadanov et al.	DE	2714876	10/1978	
2007/0082317 A1	4/2007	Chuang	DE	2910982	2/1980	
2007/0113360 A1	5/2007	Tsai	DE	3346651	7/1985	
2007/0202459 A1*	8/2007	Boyd	EP	0023672	7/1980	
			EP	0515983	2/1992	
			EP	1825827	8/2007	

FR	2556954	6/1985
FR	2654627	5/1991
GB	838564	6/1960
GB	1182031	2/1970
GB	2018605	10/1979
JP	2-134150	5/1990
JP	2009-39455	2/2009
KR	20120126265	11/2012
WO	WO95/016404	6/1995
WO	WO01/10327	2/2001
WO	WO04/021958	3/2004
WO	WO04/039205	5/2004
WO	WO2004/060259	7/2004
WO	WO2004/062518	7/2004
WO	WO2008/070730	6/2008
WO	WO2008/157585	12/2008
WO	WO2013/124691	8/2013

OTHER PUBLICATIONS

US RE27,274, 01/1972, Mattingly (withdrawn)
 AliExpress. Date reviewed: Jan. 12, 2017. <<https://www.aliexpress.com/item/Cordless-Water-Floss-Portable-Oral-Irrigator-Dental-Water-Flosser-Waterpic-Whatpick-Dental-Water-Pic-Whater-Pick/32769416341.html?spm=2114.40010308.4.75.Owuzfj>>.
 The Right Tool, Electron Fusion Devices, Inc., 2 pages, at least as early as Feb. 1991.
 Japanese Packaging, 2 pages, at least as early as Dec. 2002.
 Japanese Instruction Brochure, 20 pages, at least as early as Dec. 2002.
 Brochure: Woog International, "You have a 98% chance of getting gum disease. Unless you read this.", Lancaster, Pennsylvania, 5 pages, Feb. 1987.
 Brochure: Woog International, "We put the control of home dental care back into the hands of the professional", Lancaster, Pennsylvania, 2 pages, Feb. 1987.
 Brochure: WOOG International, "Products at a Glance: Home Dental Care System" WOOG Orajet, 3 pages, at least as early as Dec. 18, 1998.
 Website: http://www.just4teeth.com/product/Panasonic/Panasonic_Portable_Irrigator.htm, 2 pages, at least as early as Jun. 20, 2003.
 Website: http://www.videodirectstore.com/store/merchant.mv?Screen.PROD&Product_Code=EW1. . . , 2 pages, at least as early as Jun. 20, 2003.
 Website: <http://products.consumerguide.com/cp/family/review/index.cfm/id/18742>, 2 pages, at least as early as Jun. 20, 2003.
 Website: <http://www.racekarteng.com/images/walbroparts.gif> and <http://www.muller.net/mullermachine/docs/walbro1.html>, 4 pages, at least as early as Jun. 20, 2003.
 European Search Report, EPO Application No. 07250799.9, dated Jul. 5, 2007.
 European Search Report, EPO Application No. 07252693.2, 14 pages, dated Apr. 28, 2008.
 European Examination Report, EPO Application No. 07250799.9, dated Feb. 5, 2009.
 International Search Report, Application No. PCT/US2010/028180, 2 pages, dated May 18, 2010.
 International Search Report, PCT/US2010/060800, 2 pages, dated Feb. 11, 2011.
 International Search Report, PCT/US2011/052795, 10 pages, dated Jan. 17, 2012.
 Waterpik SinuSense Website: <http://www.insightsbyapril.com/2012/03/waterpik-natural-remedy-for-sinus.html>, 8 pages, retrieved on May 31, 2012.
 Website: <https://www.waterpik.com/about-us/>, 3 pages.
 Waterpik WP 350W Oral Irrigator. Dentist.net. Copyright date 2013. Date accessed: Mar. 30, 2017, 2 pages.

IPik Portable Oral Irrigator. AliExpress. Date reviewed: Oct. 5, 2016. https://www.aliexpress.com/...e-Oral-Care-Product-Nasal-Irrigator-Tooth-Flosser-Water/1525541997.html?aff_platform=aaf&cpt=14909137146098,sk=yfAeyJa&aff_trace_key=c5a300c4f02e46d08c042f5292e1762f-1490913714609-07517-yfAeyJa, 18 pages.
 Brite Leafs Professional Portable 2-in-1 Nasal Sinus & Oral Irrigator. Brite Leafs. Copyright date 2012, <http://www.briteleafs.com/product6.html>, 1 page.

* cited by examiner

Primary Examiner — Karen E Kearney

Assistant Examiner — Lilyana Bekic

(74) Attorney, Agent, or Firm — Dorsey & Whitney LLP

(57)

CLAIM

We claim the ornamental design for an oral irrigator base, as shown and described.

DESCRIPTION

FIG. 1 is a front isometric view of a first embodiment of an oral irrigator base with an irrigator handle, tip, hose, and reservoir shown for environment.

FIG. 2 is a front isometric view of the oral irrigator base of FIG. 1.

FIG. 3 is a front elevation view of the oral irrigator base of FIG. 2.

FIG. 4 is a rear elevation view of the oral irrigator base of FIG. 2.

FIG. 5 is a right side elevation view of the oral irrigator base of FIG. 2.

FIG. 6 is a left side elevation view of the oral irrigator base of FIG. 2.

FIG. 7 is a top plan view of the oral irrigator base of FIG. 2.

FIG. 8 is a bottom plan view of the oral irrigator base of FIG. 2.

FIG. 9 is a front isometric view of a second embodiment of an oral irrigator base.

FIG. 10 is a front elevation view of the oral irrigator base of FIG. 9.

FIG. 11 is a rear elevation view of the oral irrigator base of FIG. 9.

FIG. 12 is a right side elevation view of the oral irrigator base of FIG. 9.

FIG. 13 is a left side elevation view of the oral irrigator base of FIG. 9.

FIG. 14 is a top plan view of the oral irrigator base of FIG. 9; and,

FIG. 15 is a bottom plan view of the oral irrigator base of FIG. 9.

The broken line showing of the irrigator handle, tip, hose, and reservoir in FIG. 1 illustrates environment and forms no part of the claimed design. All other broken lines illustrate portions of the oral irrigator base that form no part of the claimed design.

1 Claim, 15 Drawing Sheets

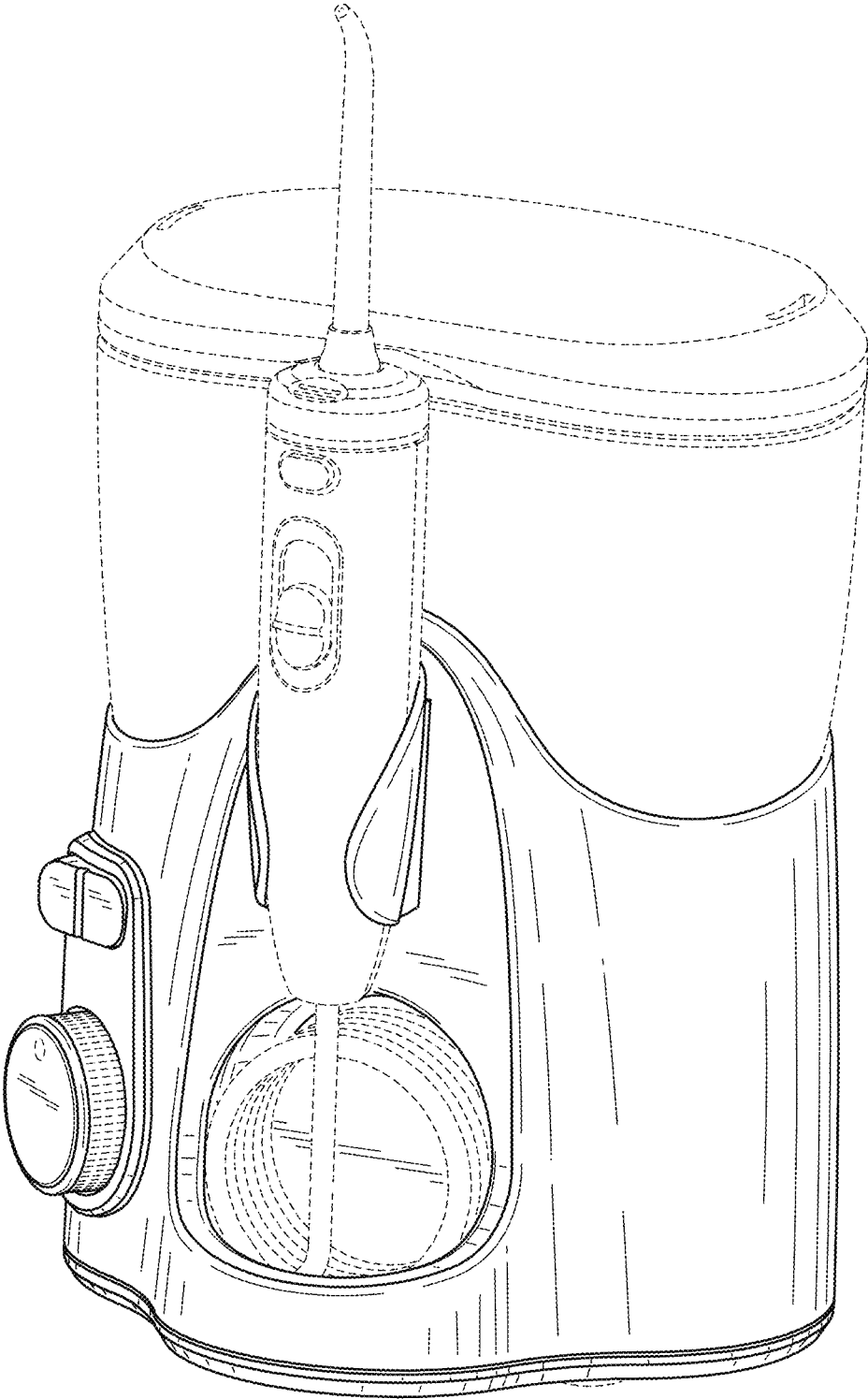


FIG. 1

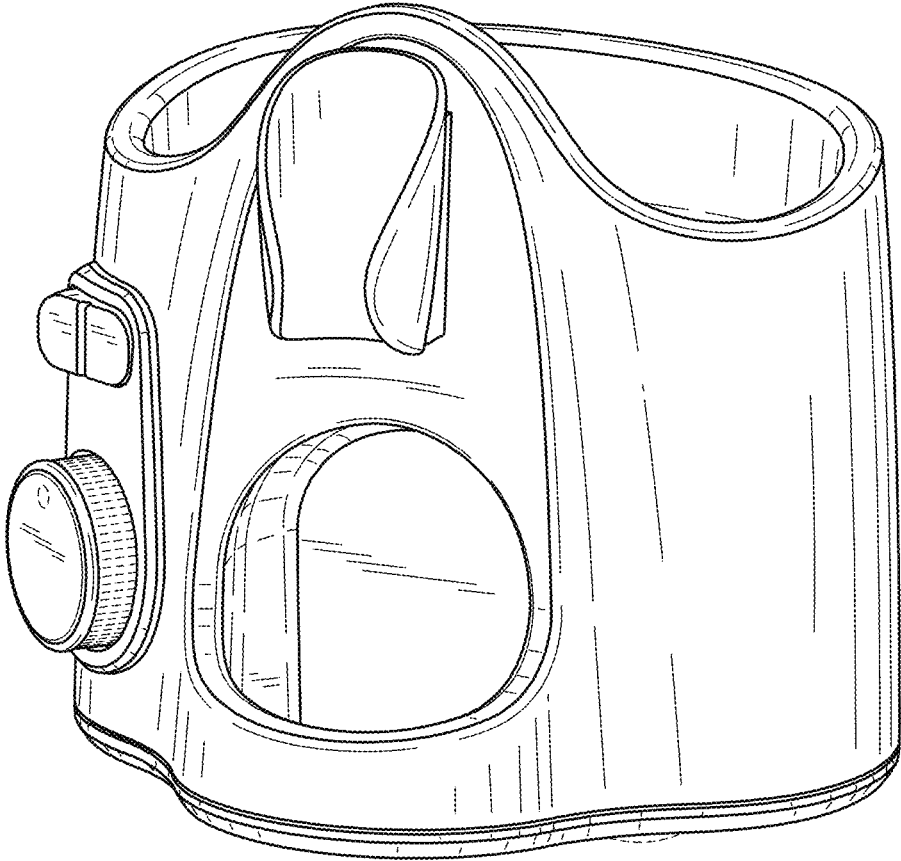


FIG. 2

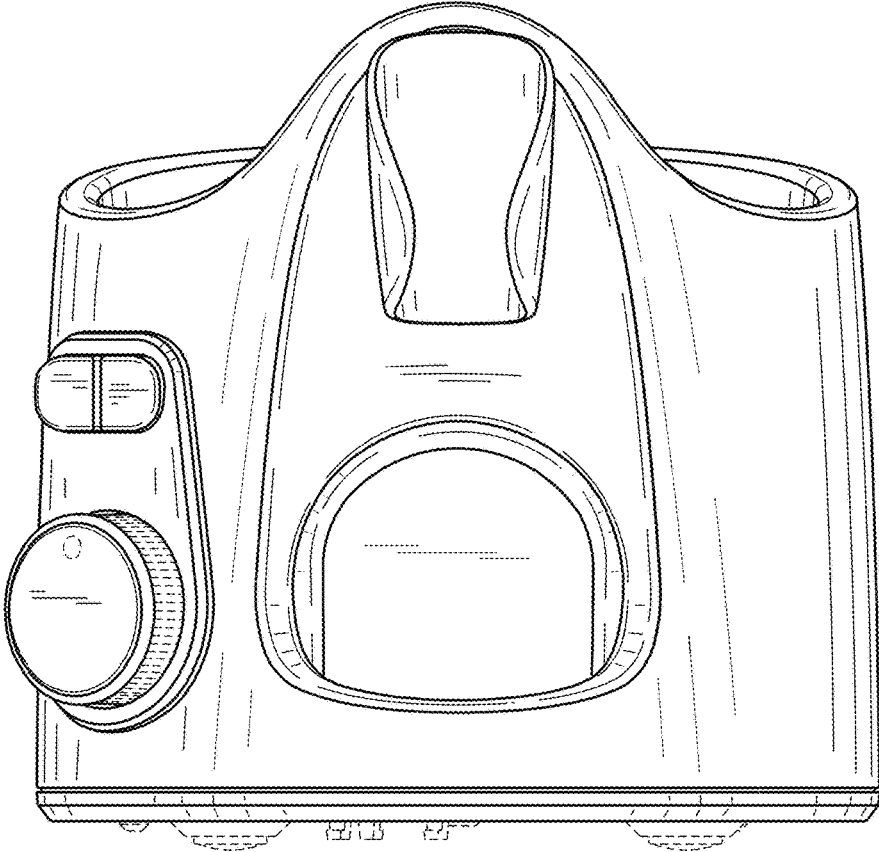


FIG. 3

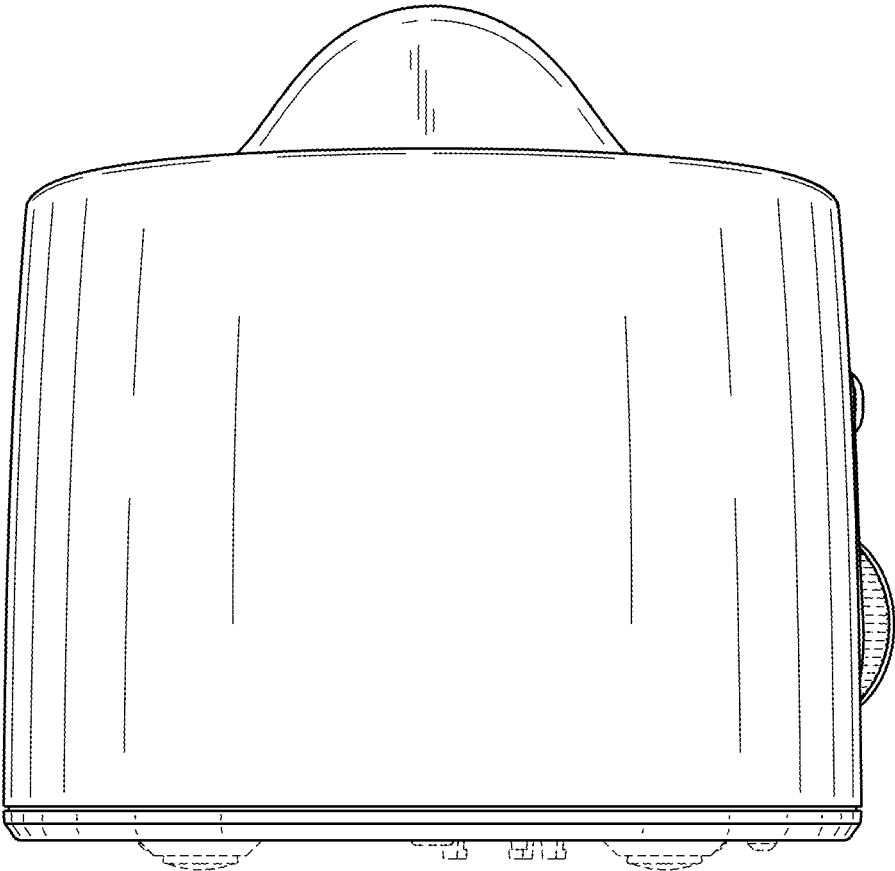


FIG. 4

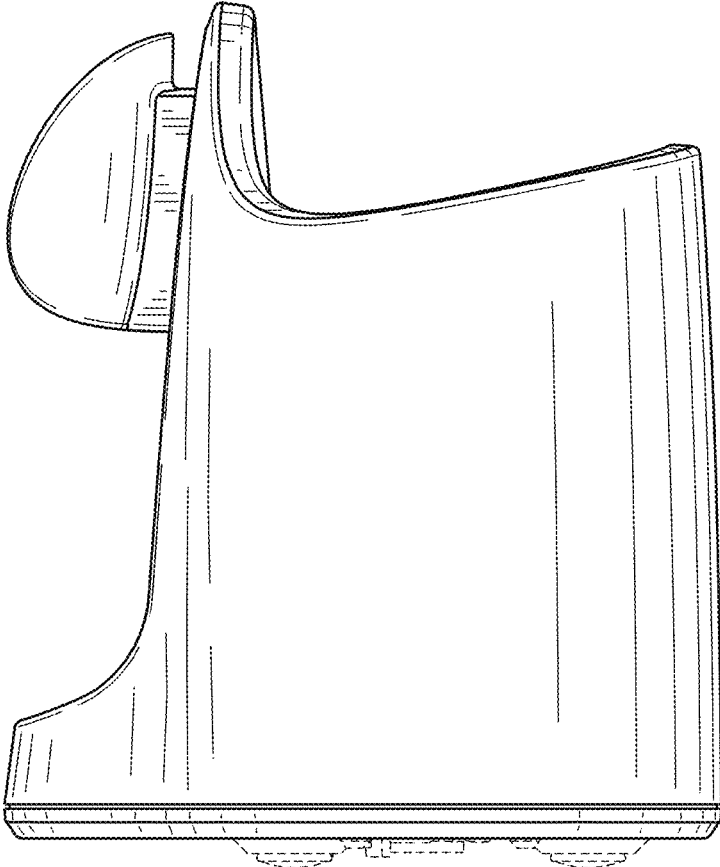


FIG. 5

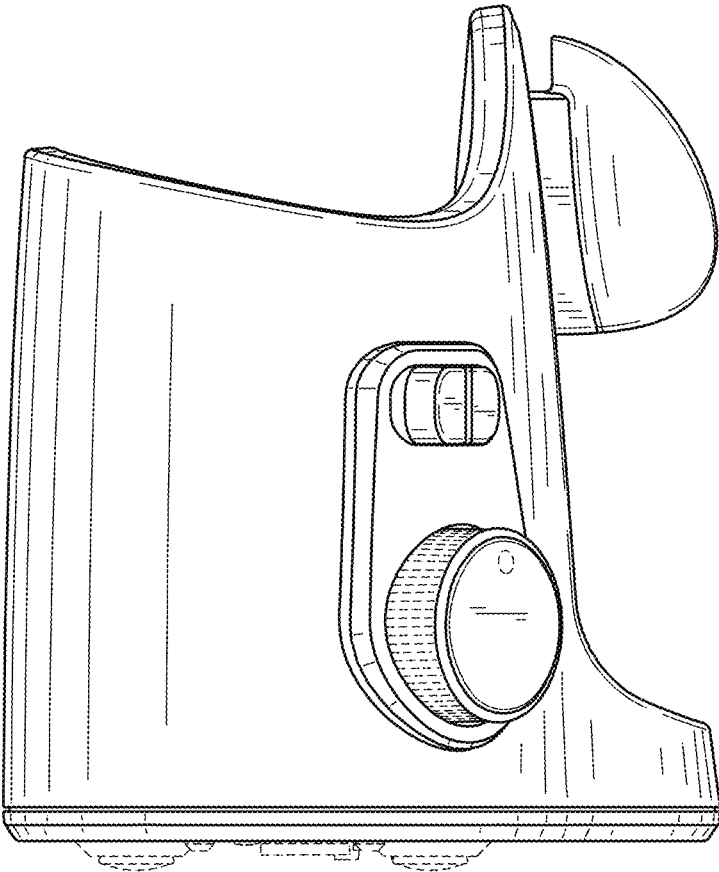


FIG. 6

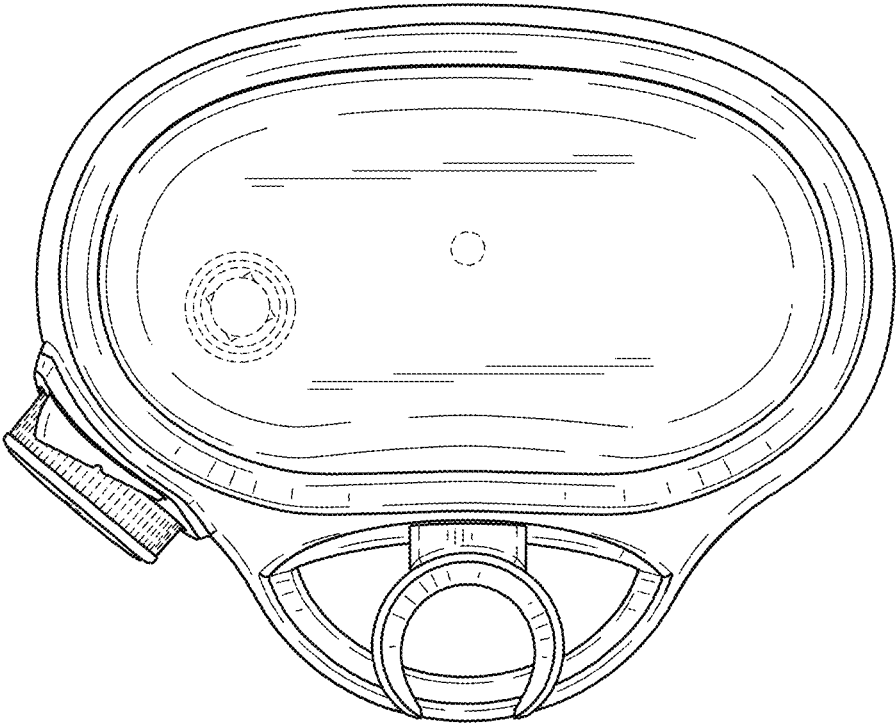


FIG. 7

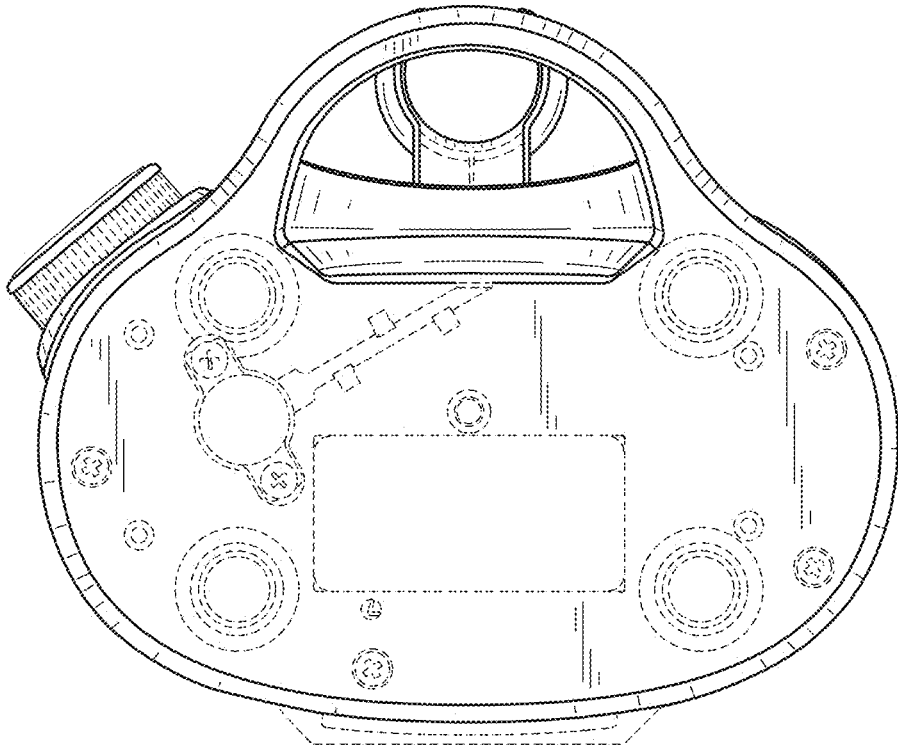


FIG. 8

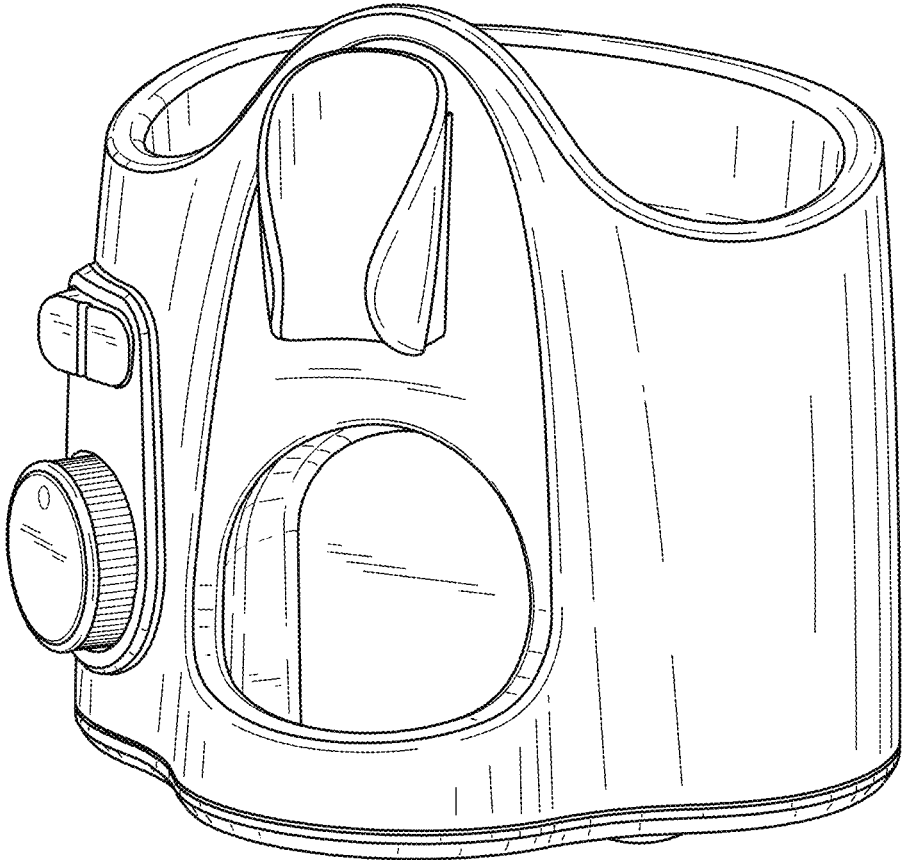


FIG. 9

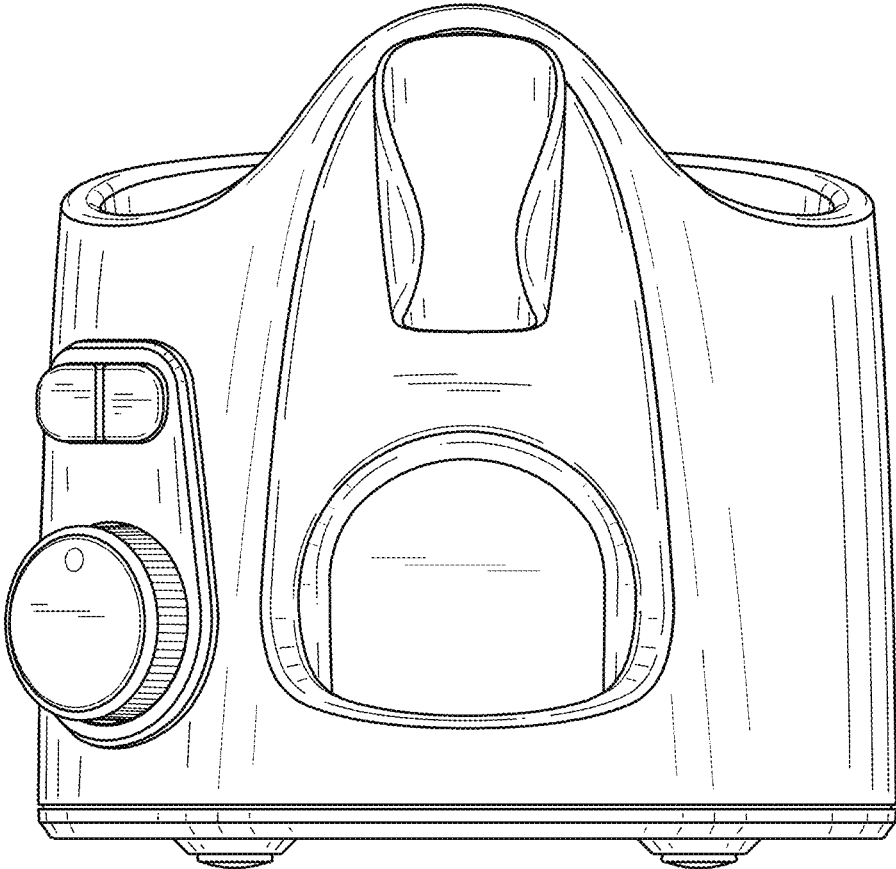


FIG. 10

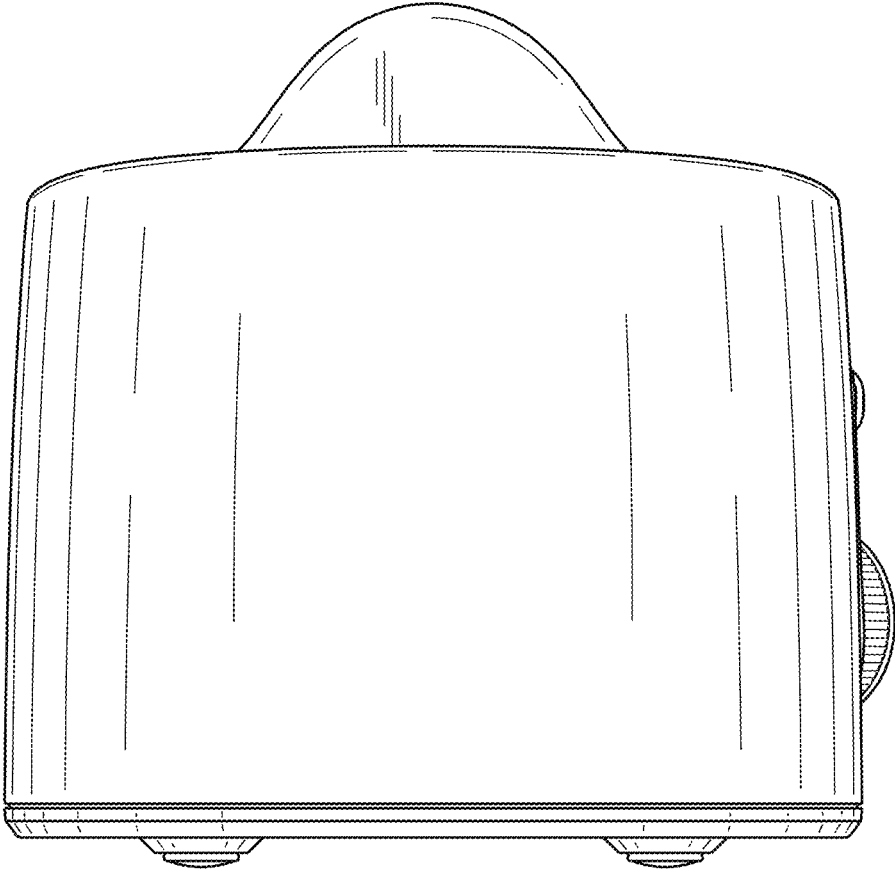


FIG. 11

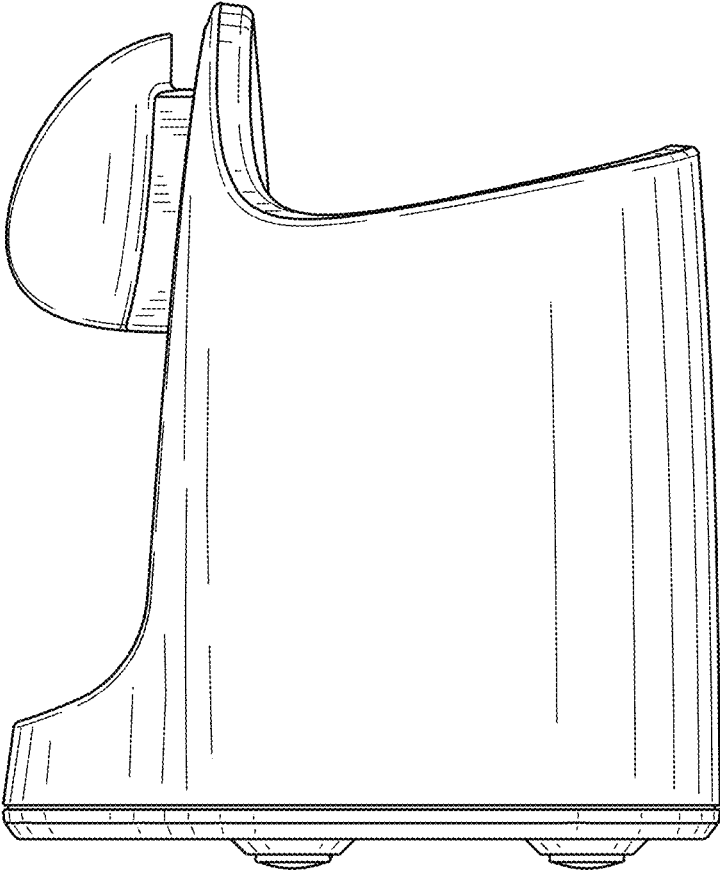


FIG. 12

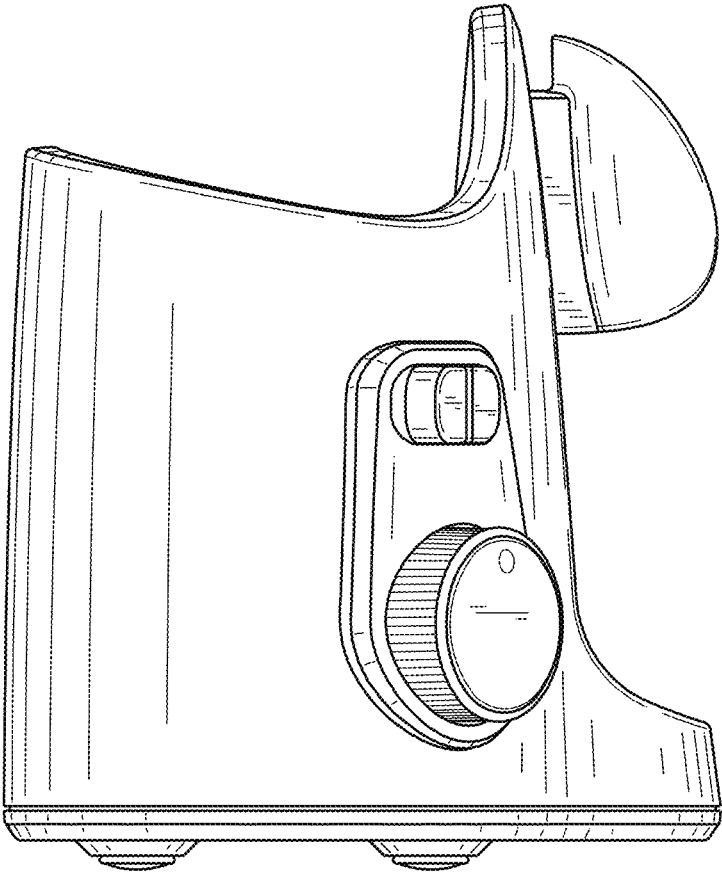


FIG. 13

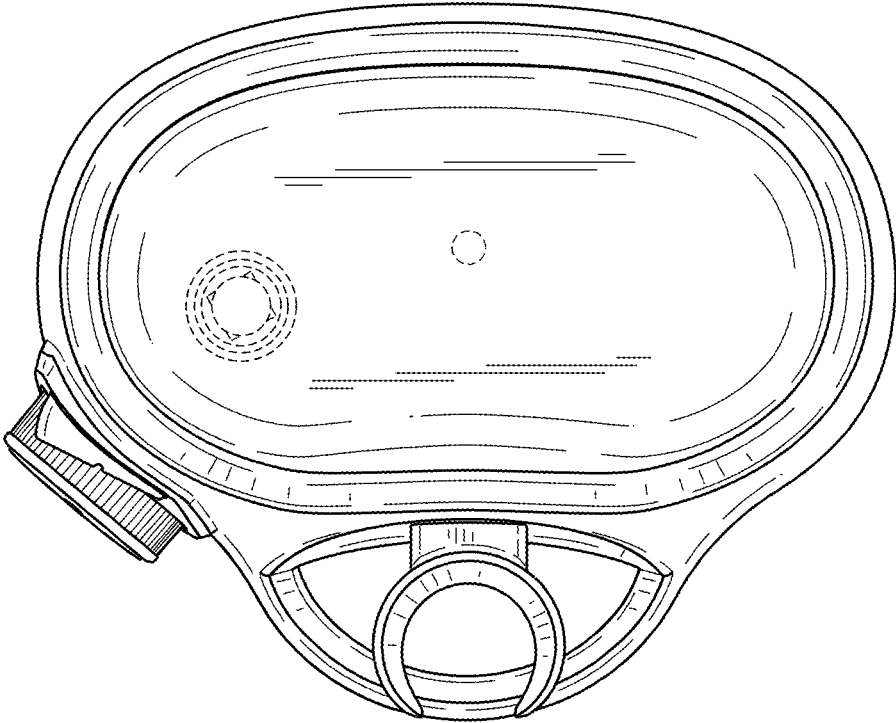


FIG. 14

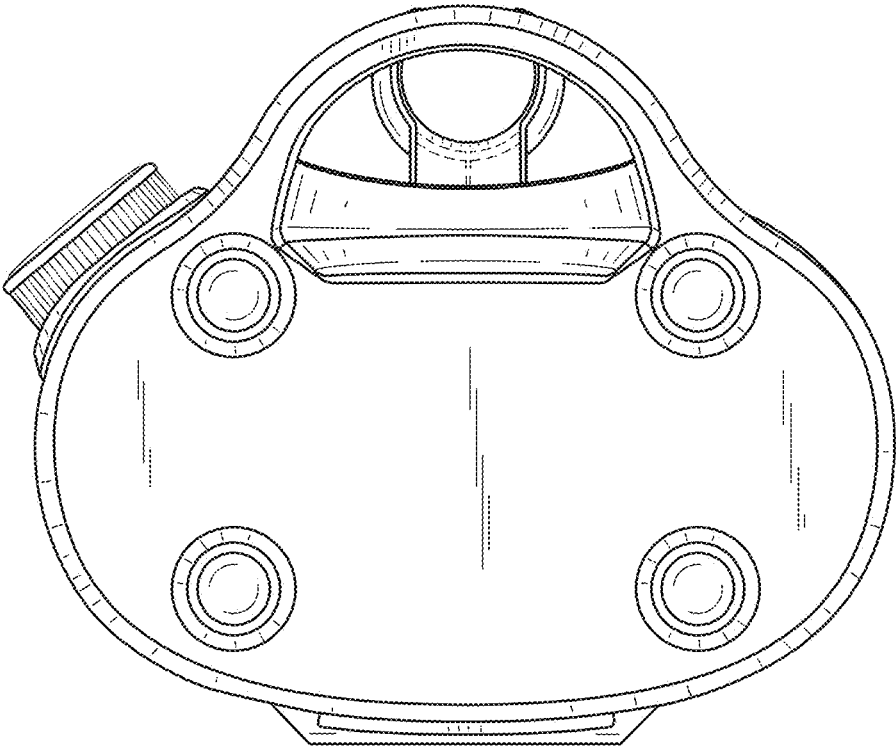


FIG. 15