



(22) **Date de dépôt/Filing Date:** 1998/04/07
 (41) **Mise à la disp. pub./Open to Public Insp.:** 1998/11/02
 (45) **Date de délivrance/Issue Date:** 2003/06/10
 (30) **Priorités/Priorities:** 1997/05/02 (08/850,207) US;
 1998/04/02 (09/053,823) US

(51) **Cl.Int.⁷/Int.Cl.⁷** G01N 37/00, C12Q 1/68, C12M 1/40,
 C12P 19/34, G01N 1/44

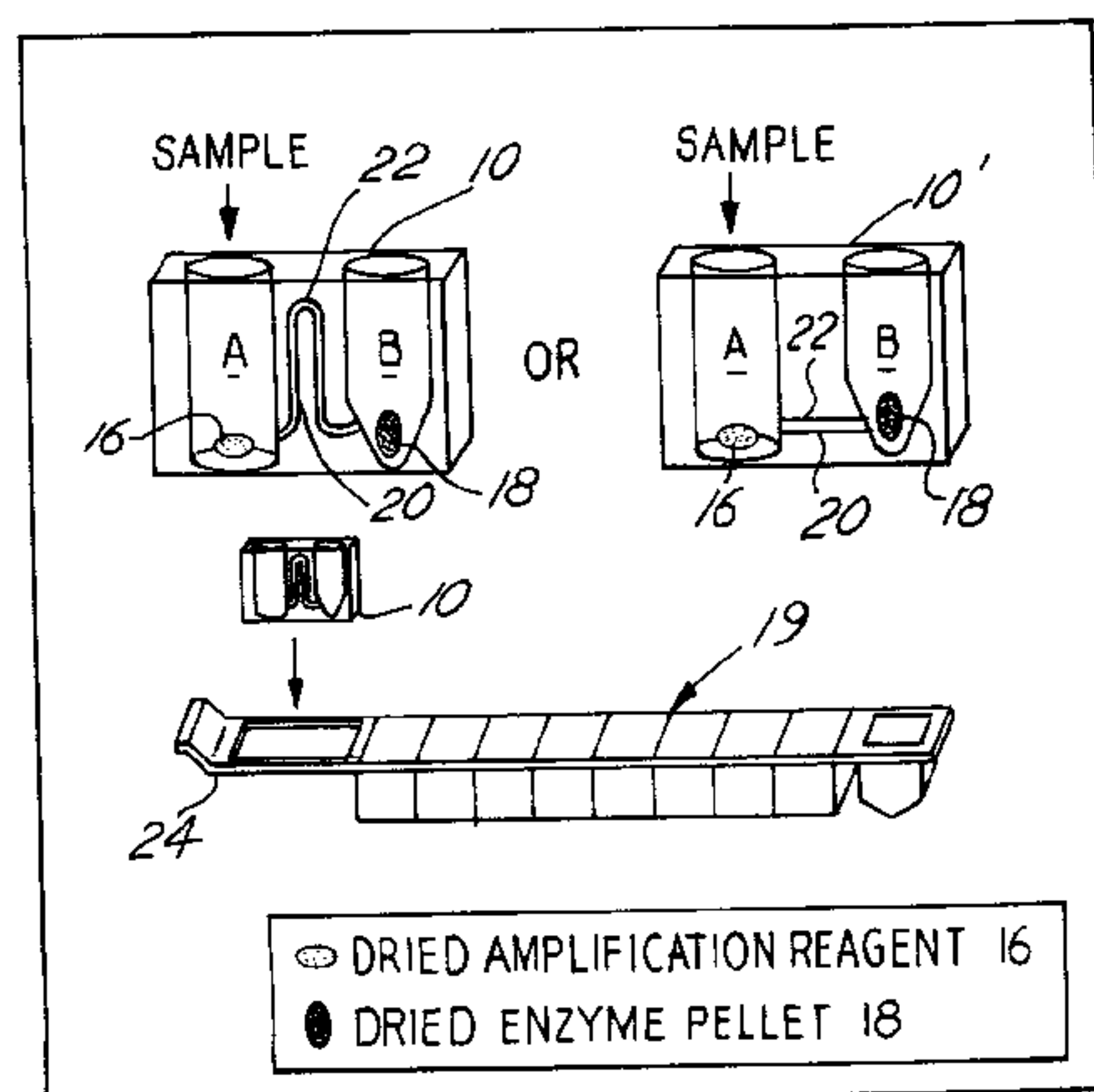
(72) **Inventeurs/Inventors:**
 CATANZARITI, LUIGI, US;
 KLUTTZ, BRYAN W., US;
 MCKINLEY, GEOFF A., US;
 GARLAND, ARTHUR L., US;
 GRAZIANO, LOUIS, US;
 MOE, JAMES G., US;

(73) **Propriétaire/Owner:**
 BIOMERIEUX VITEK, INC., US

(74) **Agent:** SMART & BIGGAR

(54) **Titre :** RECIPIENT DE REACTION JETABLE A DOUBLE CHAMBRE POUR LES REACTIONS D'AMPLIFICATION, POSTE DE TRAITEMENT DES REACTIONS ET METHODES D'UTILISATION

(54) **Title:** DUAL CHAMBER DISPOSABLE REACTION VESSEL FOR AMPLIFICATION REACTIONS, REACTION PROCESSING STATION THEREFOR, AND METHODS OF USE



(57) **Abrégé/Abstract:**

A reaction vessel for a nucleic acid amplification reaction has a first chamber containing an amplification reagent mix, a second chamber containing an amplification enzyme, and a fluid channel or chamber connecting the first and second chambers together. A fluid sample is introduced into the first chamber. After a denaturation and primer annealing process has occurred in the first chamber, the fluid channel is opened to allow the solution of the reagent and fluid sample to flow into the second chamber. The second chamber is maintained at an optimal temperature for the amplification reaction. A station is described for processing test strips incorporating the reaction vessels. The station includes temperature and vacuum control subsystems to maintain proper temperatures in the reaction vessel and effectuate the transfer of the fluid from one chamber to the other in an automated fashion without human intervention.

(72) **Inventeurs(suite)/Inventors(continued)**: VERA-GARCIA, MARCELA, US; BISHOP, JAMES CLEMENT, US;
CHASTAIN, DAVID, US; GENNARI, FABIO, IT; COLIN, BRUNO, FR; JARAVEL, CECILE, FR

ABSTRACT

A reaction vessel for a nucleic acid amplification reaction has a first chamber containing an amplification reagent mix, a second chamber containing an amplification enzyme, and a fluid channel or chamber connecting the first and second chambers together. A fluid sample is introduced into the first chamber. After a denaturation and primer annealing process has occurred in the first chamber, the fluid channel is opened to allow the solution of the reagent and fluid sample to flow into the second chamber. The second chamber is maintained at an optimal temperature for the amplification reaction.

A station is described for processing test strips incorporating the reaction vessels. The station includes temperature and vacuum control subsystems to maintain proper temperatures in the reaction vessel and effectuate the transfer of the fluid from one chamber to the other in an automated fashion without human intervention.

**DUAL CHAMBER DISPOSABLE REACTION VESSEL
FOR AMPLIFICATION REACTIONS, REACTION
PROCESSING STATION THEREFOR, AND METHODS OF USE**

5

BACKGROUND OF THE INVENTION

A. Field of the Invention

10

This invention relates to the field of the equipment and methods used for performing nucleic acid amplification reactions. More specifically, the invention relates to a novel disposable dual chamber reaction vessel for a nucleic acid amplification reaction and a station for conducting the reaction in the reaction vessel.

15

B. Description of Related Art

Nucleic acid based amplification reactions are now widely used in research and clinical laboratories for the detection of genetic and infectious diseases. The currently known amplification schemes can be broadly grouped into two classes, based on whether, after an initial denaturing step (typically performed at a temperature of ≥ 65 degrees C) for DNA amplifications or for RNA amplifications involving a high amount of initial secondary structure, the reactions are driven via a continuous cycling of the temperature between the denaturation temperature and a primer annealing and amplicon synthesis (or polymerase activity) temperature, or whether the temperature is kept constant throughout the enzymatic amplification process. Typical cycling reactions are the Polymerase and Ligase Chain Reaction (PCR and LCR, respectively). Representative isothermal reaction schemes are NASBA (Nucleic Acid Sequence Based Amplification), Transcription Mediated Amplification (TMA), and Strand Displacement Amplification (SDA). In the isothermal reactions, after the initial denaturation step (if required), the reaction occurs at

30

a constant temperature, typically a lower temperature at which the enzymatic amplification reaction is optimized.

Prior to the discovery of thermostable enzymes, methodologies that used temperature cycling were seriously hampered by the need for dispensing fresh polymerase after each denaturation cycle, since the elevated temperature required for denaturation inactivated the polymerase during each cycle. A considerable simplification of the PCR assay procedure was achieved with the discovery of the thermostable Taq polymerase (from *Thermophilus aquaticus*). This improvement eliminated the need to open amplification tubes after each amplification cycle to add fresh enzyme. This led to the reduction of both the contamination risk and the enzyme-related costs. The introduction of thermostable enzymes has also allowed the relatively simple automation of the PCR technique. Furthermore, this new enzyme allowed for the implementation of simple disposable devices (such as a single tube) for use with temperature cycling equipment.

TMA requires the combined activities of at least two (2) enzymes for which no optimal thermostable variants have been described. For optimal primer annealing in the TMA reaction, an initial denaturation step (at a temperature of ≥ 65 degrees C) is performed to remove secondary structure of the target. The reaction mix is then cooled down to a temperature of 42 degrees C to allow primer annealing. This temperature is also the optimal reaction temperature for the combined activities of T7 RNA polymerase and Reverse Transcriptase (RT), which includes an endogenous RNase H activity or is alternatively provided by another reagent. The temperature is kept at 42 degrees C throughout the following isothermal amplification reaction. The denaturation step, which precedes the amplification cycle, however forces the user to add the enzyme after the cool

down period in order to avoid inactivation of the enzymes. Therefore, the denaturation step needs to be performed separately from the amplification step.

In accordance with present practice, after adding the test or control sample or both to the amplification reagent mix (typically containing the nucleotides and the primers),
5 the tube is subject to temperatures ≥ 65 degrees C and then cooled down to the amplification temperature of 42 degrees C. The enzyme is then added manually to start the amplification reaction. This step typically requires the opening of the amplification tube. The opening of the amplification tube to add the enzyme or the subsequent
10 addition of an enzyme to an open tube is not only inconvenient, it also increases the contamination risk.

The present invention avoids the inconvenience and contamination risk described above by providing a novel dual chamber or "binary" reaction vessel, a reaction processing station therefor, and methods of use that achieve the integration of the denaturation step with the amplification step without the need for a manual enzyme
15 transfer and without exposing the amplification chamber to the environment. The contamination risks from sample to sample contamination within the processing station are avoided since the amplification reaction chamber is sealed and not opened to introduce the patient sample to the enzyme. Contamination from environmental sources is avoided since the amplification reaction chamber remains sealed. The risk of
20 contamination in nucleic acid amplification reactions is especially critical since large amounts of the amplification product are produced. The present invention provides a reaction chamber design that substantially eliminates these risks.

SUMMARY OF THE INVENTION

In a preferred form of the invention, a dual chamber reaction vessel is provided which comprises a single or unit dose of reagents for a reaction requiring differential heat and containment features, such as a nucleic acid amplification reaction (for example, TMA reaction) packaged ready for use. The dual chamber reaction vessel is designed as a single use disposable unit. The reaction vessel is preferably integrally molded into a test strip having a set of wash and reagent wells for use in an amplification product detection station. Alternatively, the reaction vessel can be made as a stand alone unit with flange or other suitable structures for being able to be installed in a designated space provided in such a test strip.

In the dual chamber reaction vessel, two separate reaction chambers are provided in a preferred form of the invention. The two main reagents for the reaction are stored in a spatially separated fashion. One chamber has the heat stable sample/amplification reagent (containing primers, nucleotides, and other necessary salts and buffer components), and the other chamber contains the heat labile enzymatic reagents, e.g., T7 and RT. A sealing means is provided for covering the first chamber. The two chambers are linked to each other by a fluid channel extending from the first chamber to the second chamber or engagement surfaces. Preferably, a means is provided for controlling or allowing the flow of fluid through the fluid channel from the first chamber to the second chamber. In one embodiment, a membrane is molded into the reaction vessel that seals off the fluid channel. A reciprocable plunger or other suitable structure is provided in the reaction vessel (or in the processing station) in registry with the membrane. Actuation of the plunger causes a breaking of the membrane seal, allowing fluid to flow through the fluid channel. Differential pressure between the two chambers assists in transferring the

patient or clinical or control sample through the fluid channel from the first chamber to the second chamber. This can be accomplished by applying pressure to the first chamber or applying vacuum to the second chamber.

Other types of fluid flow control means are contemplated, such as providing a valve
5 in the fluid channel. Several different valve embodiments are described.

In use, the fluid sample is introduced into the first chamber and the first chamber is heated to a denaturation temperature (e.g., 95 degrees C). After the amplification reagents in the first chamber have reacted with the fluid sample and the denaturation process has been completed, the first chamber is quickly cooled to 42 degrees C for primer annealing. The
10 two chambers of the reaction vessel are not in fluid communication with each other prior to completion of the denaturation and cooling step. After these steps are complete, the means for controlling the flow of fluid is operated to allow the reaction solution to pass through the fluid channel from the first chamber to the second chamber. For example, the valve in the fluid channel is opened and the fluid sample is directed into the second chamber by either
15 pressure or vacuum techniques. The reaction solution is then brought into contact with the amplification enzyme(s) (e.g., T7 and/or RT) and the enzymatic amplification process proceeds in the second chamber at 42 degrees C.

In a preferred embodiment, after completion of the reaction, a SPR® (solid phase receptacle) pipette-like device is introduced into the second chamber. Hybridization,
20 washing and optical analysis then proceeds in accordance with well known techniques in order to detect the amplification products.

An integrated stand-alone amplification station for processing a reaction in the dual chamber reaction vessel in accordance with presently preferred embodiments of the invention is described. The amplification station comprises a tray for carrying in proper

alignment a plurality of test strips; a temperature control subsystem for maintaining the two chambers of the reaction vessel at the proper temperatures; a fluid conduit opening mechanism for opening the fluid channel connecting the two chambers thereby establish fluid communication between them; and, preferably, a vacuum subsystem including a vacuum probe, the vacuum probe cooperating with the reaction vessel in the test strip for transferring a fluid sample from the first chamber into the second chamber.

Thus, according to one aspect of the present invention, there is provided a dual chamber reaction vessel for an isothermal nucleic acid amplification reaction, characterized in that it comprises: a first chamber for receiving a fluid sample, the first chamber being loaded with one or more amplification reagents; a second chamber separate from the first chamber; one or more enzymes for the reaction either in the second chamber or in fluid communication with the second chamber; a sealing means covering the first chamber; and a fluid channel or engagement surfaces for connecting the first chamber and the second chamber.

According to another aspect of the present invention, there is provided a method for conducting an isothermal nucleic acid amplification reaction characterized in that it comprises: providing a dual chamber reaction vessel comprising a first chamber and a separate second chamber capable of being placed in fluid communication by a fluid channel or engagement surfaces, the dual chamber reaction vessel being loaded with one or more amplification reagents in the first chamber and one or more amplification enzymes in the second chamber; sealing the first and second chambers with the one or more amplification reagents and one or more amplification enzymes from the environment with a membrane; and, at the time of use of the dual chamber reaction vessel, piercing the membrane with an implement and loading a sample into the first chamber; heating the first chamber and the sample to a first relatively high temperature, while maintaining the second chamber at a

second relatively low temperature; cooling the first chamber and a solution of the sample and the one or more amplification reagents from the first relatively high temperature; either passing the solution from the first chamber to the second chamber, or introducing the contents of the second chamber into the first chamber; and amplifying the solution either in
5 the second chamber or in the first chamber by means of the amplification enzyme.

According to still another aspect of the invention, there is provided a nucleic acid amplification station for a test strip, the test strip comprising a dual chamber reaction vessel comprising a first chamber and a second chamber, the station comprising: a tray for at least one test strip, the tray comprising a first portion and a second portion positioned adjacent to
10 first and second chambers of the dual chamber reaction vessel, respectively; a temperature control subsystem for the tray maintaining the first and second portions of the tray at first and second different amplification reaction temperatures so as to maintain the first and second chambers at the first and second amplification reaction temperatures, respectively; a fluid conduit opening mechanism for opening a fluid conduit in the dual chamber reaction
15 vessel to thereby establish fluid communication between the first chamber and the second chamber; and a vacuum subsystem including a vacuum probe, the test strip and vacuum probe reciprocable relative to each other, the vacuum probe cooperating with the reaction vessel in the test strip for transferring a fluid sample from the first chamber to the second chamber via the fluid conduit.

20 According to still another aspect of the invention, there is provided a nucleic acid amplification station for a test strip, the test strip comprising a dual chamber reaction vessel comprising a first chamber and a second chamber, the station comprising: a tray for at least one test strip, the tray comprising a first portion and a second portion positioned adjacent to first and second chambers of the dual chamber reaction vessel, respectively; a temperature
25 control subsystem for the tray maintaining the first and second portions of the tray at first

and second different amplification reaction temperatures so as to maintain the first and second chambers at the first and second amplification reaction temperatures, respectively, during processing of the test strip; and a fluid conduit opening mechanism for opening a fluid conduit in the dual chamber reaction vessel to thereby establish fluid communication
5 between the first chamber and the second chamber.

According to a further aspect of the invention, there is provided a method for conducting a nucleic acid amplification reaction, comprising the steps of: providing a dual chamber reaction vessel comprising first and second chambers capable of being placed in fluid communication with each other, the dual chamber reaction vessel loaded with one or
10 more amplification reagents into the first chamber and one or more amplification enzymes in the second chamber; sealing the first and second chambers with the one or more amplification reagents and one or more amplification enzymes from the environment with a membrane after loading the one or more amplification reagents and one or more
15 amplification enzymes in the dual chamber reaction vessel; and, at the time of use of the dual chamber reaction vessel, piercing the membrane with an implement and loading a sample into the first chamber; heating the first chamber and the sample to a first relatively high temperature while maintaining the second chamber at a second relatively low temperature; cooling the first chamber and a solution of the sample and the one or more
20 amplification reagents from the first relatively high temperature; thereafter introducing the contents of the second chamber into the first chamber; and amplifying the solution in first chamber by the amplification enzyme.

BRIEF DESCRIPTION OF THE DRAWINGS

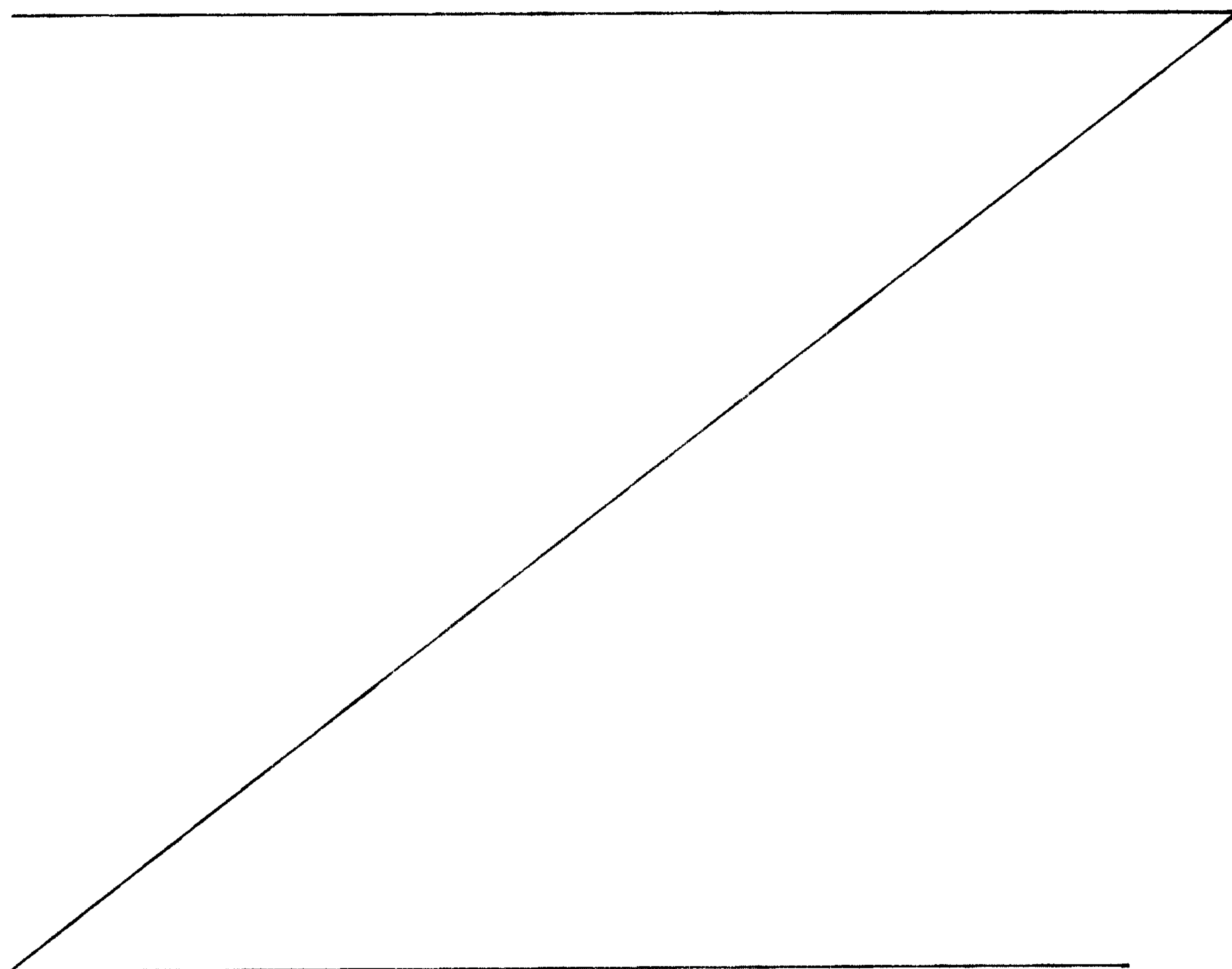
Presently preferred embodiments of the invention will be described in conjunction with the appended drawings, wherein like reference numerals refer to like elements in the
25 various views, and in which:

Figure 1 is a schematic representation of a disposable dual chamber reaction vessel and the heating steps associated therewith to perform an isothermal amplification reaction, i.e., a TMA reaction, in accordance with one possible embodiment of the invention;

Figure 2 is a schematic representation of alternative form of the invention in which
5 two separate reaction chambers are combined to form a dual chamber reaction vessel;

Figure 3 is a schematic representation of two alternative embodiments of a dual chamber reaction vessel that are snapped into place in a test strip for processing with a solid phase receptacle and optical equipment in accordance with a preferred embodiment of the invention;

10 Figure 4 is a schematic representation of an alternative embodiment of a dual chamber reaction vessel formed from two separate chambers that are combined in a



manner to permit a fluid sample in one chamber to be transferred to the other chamber, with the combined dual chamber vessel placed into a test strip such as illustrated in Figure 3;

Figure 5 is a detailed perspective view of a disposable test strip in which one embodiment of the dual chamber reaction vessel is integrally molded into the test strip at the left-hand end of the test strip;

Figure 6 is detailed perspective view of the disposable test strip of Figure 5 as seen from below;

Figure 7 is a cross section of the disposable test strip of Figures 5 and 6, showing a plunger having a chisel-like tip that is used to pierce a membrane in a fluid channel connecting the two chambers together to thereby allow the fluid to pass from the first chamber into the second chamber;

Figure 8 is a perspective view of the left hand end of the test strip of Figures 5-7 shown enlarged in order to better illustrate the dual chamber reaction vessel;

Figure 9 is a detailed perspective view of a disposable test strip of Figure 5 as seen from below shown greatly enlarged, and with the cap covering the base of the first chamber and intermediate chamber removed;

Figure 10 is a top plan view of the dual chamber reaction vessel of Figures 5-9 shown enlarged;

Figure 11 is a detailed cross section of the dual chamber reaction vessel with the lower cap removed as in Figure 9, and with the plunger removed;

Figure 12 is a detailed cross section of the dual chamber reaction vessel with the lower cap and plunger installed as they would be in use;

Figure 13 is a perspective view of the plunger of Figure 12;

Figure 14 is another perspective view of the plunger;

Figure 15 is an elevational view of the plunger;

Figure 16 is a perspective view of the cap that covers the base of the first chamber and the intermediate chamber of the reaction vessel of Figures 8 and 9;

5 Figure 17 is a cross-section of the cap of Figure 16;

Figure 18 is a perspective view of the base of cap of Figure 16;

Figure 19 is a perspective view of a stand-alone disposable dual chamber reaction vessel that is designed to snap into the test strip of the type shown in Figure 5 in the manner suggested in Figure 4;

10 Figure 20 is a perspective view of the stand-alone disposable dual chamber reaction vessel of Figure 19, with a lower cap as shown in Figures 16-18 removed;

Figure 21 is perspective view of an alternative construction of the stand-alone disposable dual chamber reaction vessel of Figure 19;

Figure 22 is a cross-sectional view of the embodiment of Figure 21;

15 Figure 23 is a cross-sectional view of the embodiment of Figure 21 showing the action of the helical thimble valve being deformed by a vacuum plunger and the flow of fluid sample from the first chamber into the second chamber;

Figure 24 is a perspective view of the helical thimble valve of Figures 22 and 23;

20 Figure 25 is a sectional view of the embodiment of Figure 21 showing the flow of fluid through the device from the first chamber into the second chamber;

Figure 26 is a perspective view of another embodiment of the disposable reaction chamber in accordance with the invention designed to snap into the test strip in the manner suggested in Figure 4;

Figure 27 is a cross-section of the embodiment of Figure 26, showing an enzyme plunger carrying an enzyme pellet for introduction into the amplification well;

Figure 28 is a cross-section of a test strip incorporating the embodiment of Figure 26;

5 Figures 29A-29C show the use of the test strip of Figure 28;

Figure 30 is a schematic representation of an embodiment of a dual chamber disposable reaction vessel in which a plunger is activated to increase the fluid pressure in the first reaction chamber to break a seal in a fluid channel connecting the first chamber to the second chamber and force a reaction solution in the first chamber into the second
10 chamber for the amplification reaction to take place;

Figure 31 is a perspective view of a stand-alone amplification processing station for the test strips having the dual chamber reaction vessels in accordance with a presently preferred form of the invention;

Figure 32 is a perspective view of one of the amplification modules of Figure 31,
15 as seen from the rear of the module;

Figure 33 is a perspective view of the front of the module of Figure 32;

Figure 34 is another perspective view of the module of Figure 33;

Figure 35 is a detailed perspective view of a portion of the test strip holder and 95 degree C Peltier heating subsystems of the module of Figures 32-34;

20 Figure 36 is an isolated perspective view of the test strip holder of Figure 35, showing two test strips in accordance with Figure 5 installed in the test strip holder;

Figure 37 is a detailed perspective view of the test strip holder or tray of Figure 33;

Figure 38 is a block diagram of the electronics of the amplification processing station of Figure 33;

Figure 39 is a diagram of the vacuum subsystem for the amplification processing station of Figure 31;

5 Figure 40 is a graph of the thermal cycle of the station of Figure 31;

Figure 41 is a perspective view of another embodiment of a dual chamber reaction vessel that is suited for use with the test strip of Figure 3 and the reaction processing station of Figures 30-39;

10 Figure 42 is a vertical sectional view of the vessel of Figure. 41 along the line 42-42 of Figure 43;

Figure 43 is a top view of of the vessel of Figure 42;

Figure 44 is a detailed illustration of how the conduit and external constriction device work together in a first possible embodiment of the vessel of Figure 41;

15 Figure 45 is a detailed illustration of how the conduit and external constriction device work together in a second possible embodiment of the vessel of Figure 41;

Figures 46 is a schematic representation of a dual chamber reaction vessel in accordance with one possible embodiment of the invention, with the schematic representation corresponding, for example, to the embodiment of FIG. 41; and

20 Figure 47A-47F are schematic drawings showing the different stages of a process for transferring reagent solutions into the vessel and from the first chamber to the second chamber

**DETAILED DESCRIPTION OF THE PREFERRED
AND ALTERNATIVE EMBODIMENTS OF THE INVENTION**

Overview

5 A preferred form of the invention provides for a dual chamber or “binary” reaction vessel. The term “binary” refers to the characteristic of the vessel of storing in a spatially separated fashion at least two different reagents, for example a heat stable sample/amplification reagent(s) containing, for example, primers and nucleotides in one chamber and heat labile enzyme(s) such as T7 and RT in the second chamber. The
10 reagents within the two chambers are not in contact prior to completion of the denaturation and cooling steps. The first chamber is accessible via a pierceable membrane or other means so as to permit a patient or clinical or control sample(s) in liquid form to be added into the first chamber. The second chamber is sealed and contains the enzymatic components of the amplification reaction. The enzymatic
15 components may be in several physical forms, such as liquid, pelletized, lyophilized, etc. After the contents of the first chamber is brought into contact with the second chamber, the reaction can then take place, such as in the second chamber.

 In one possible form of the invention, the two chambers may be part of an integrated disposable unit. In another possible embodiment, the two chambers may be
20 two distinct units which have complementary engaging surfaces or features that allow the two units to be combined into a single unit. In the first embodiment, where the two chambers are part of a unitary article, the unit must be made to prohibit the exchange of materials between the two chambers during shipping and prior to the denaturation (heating) step. In both embodiments, a mechanism is required by which the contents of
25 the first chamber (the patient or test sample and amplification reagent(s) mix after

denaturation and primer annealing) is brought into contact with the enzyme(s) in the second chamber. The mechanism operates to introduce the contents of the first chamber into the second chamber following the completion of the denaturation step and the cooling of the patient sample/amplification mix to the appropriate temperature for the enzymatic amplification reaction, e.g., 42 degrees C. Several different mechanisms are described in detail herein.

Figure 1 is a schematic representation of a disposable dual chamber reaction vessel 10 and the heating steps associated therewith to perform an isothermal reaction, i.e., a TMA reaction, in accordance with one possible embodiment of the invention. Chamber A contains the amplification reagents or mix, namely deoxynucleotides, primers, $MgCl_2$ and other salts and buffer components. Chamber B contains the amplification enzyme(s) that catalyzes the amplification reaction, e.g., T7 and/or RT. After addition of the targets (or patient sample) into chamber A, heat is applied to chamber A to denature the DNA nucleic acid targets and/or remove RNA secondary structure. The temperature of chamber A is then quickly cooled down to allow primer annealing. Subsequently, the solution of chamber A is brought into contact with chamber B. Chambers A and B, now in fluid communication with each other, are then maintained at the optimum temperature for the amplification reaction, e.g., 42 degrees C. By spatially separating chamber A from chamber B, and applying the heat for denaturation to chamber A only, the thermolabile enzymes in chamber B are protected from inactivation during the denaturation step.

Figure 2 is a schematic representation of an alternative form of the invention in which two separate reaction chambers 12 and 14 are combined to form a dual chamber reaction vessel 10. Like the embodiment of Figure 1, Chamber A is pre-loaded during a

manufacturing step with an amplification reagent(s) or mix, namely nucleotides, primers, MgCl₂ and other salts and buffer components. Chamber B is pre-loaded during manufacturing with the amplification enzyme(s) that catalyzes the amplification reaction, e.g., T7 and/or RT. Fluid sample is then introduced into chamber A. The sample is
5 heated for denaturation of nucleic acids to 95 degrees C in chamber A. After cooling chamber A to 42 degrees C, the solution in chamber A is brought into contact with the enzymes in chamber B to trigger the isothermal amplification reaction.

If the reaction vessel is designed such that, after having brought the contents of chambers A and B into contact, the amplification chamber does not allow any exchange
10 of materials with the environment, a closed system amplification is realized which minimizes the risk of contaminating the amplification reaction with heterologous targets or amplification products from previous reactions or the environment.

Figure 3 is a schematic representation of two alternative dual chamber reaction vessels 10 and 10' that are snapped into place in a test strip 19 for processing with a solid
15 phase receptacle and optical equipment in accordance with a preferred embodiment of the invention. In the embodiments of Figure 3, a unidirectional flow system is provided. The sample is first introduced into chamber A for heating to the denaturation temperature. Chamber A contains the dried amplification reagent mix 16. After cooling, the fluid is transferred to chamber B containing the dried enzyme(s) 18 in the form of a pellet.
20 Chamber B is maintained at 42 degrees C after the fluid sample is introduced into Chamber B. The amplification reaction takes place in Chamber B at the optimum reaction temperature (e.g., 42 degrees C). After the reaction is completed, the test strip 19 is then processed in a machine such as the VIDAS® instrument commercially available

from bioMérieux Vitek, Inc., Hazelwood, Missouri, the assignee of the present invention. Persons of skill in the art are familiar with the VIDAS® instrument.

The unidirectional flow features could be provided by a suitable one-way valve such as check valve 20 in the fluid conduit 22 connecting chambers A and B. The action
5 of transferring the fluid from chamber A to chamber B could be by any of several possible methods, such as by introduction of fluid pressure in the solution in chamber A (such as by a piston), or applying a vacuum to chamber B to draw the solution through the fluid channel 22. Examples of these methods are described in detail below.

The steps of heating and cooling of chamber A could be performed prior to the
10 insertion of the dual chamber disposable reaction vessel 10 or 10' into the test strip 19, or, alternatively, suitable heating elements could be placed adjacent to the left hand end 24 of the test strip 19 in order to provide the proper temperature control of the reaction chamber A. The stand alone amplification processing station of Figures 31-40, described below, incorporates suitable heating elements and control systems to provide the proper
15 temperature control for the reaction vessel 10.

Figure 4 is a schematic representation of an alternative embodiment of a dual chamber reaction vessel 10 " formed from two separate interlocking vessels 10A and 10B that are combined in a manner to permit a fluid sample in one chamber to flow to the other, with the combined dual chamber vessel 10 " placed into a test strip 19 such as
20 described above in Figure 3. The fluid sample is introduced into chamber A, which contains the dried amplification reagent mix 16. Vessel A is then heated off-line to 95 degrees C, then cooled to 42 degrees C. The two vessels A and B are brought together by means of a conventional snap fit between complementary locking surfaces on the tube projection 26 on chamber B and the recessed conduit 28 on chamber A. The mixing of

the sample solution from chamber A with the enzyme(s) from chamber B occurs since the two chambers are in fluid communication with each other, as indicated by the arrow 30. The sample can then be amplified in the combined dual chamber disposable reaction vessel 10 " off-line, or on-line by snapping the combined disposable vessel 10 " into a modified VIDAS® strip. The VIDAS® instrument could perform the detection of the amplification reaction products in known fashion.

Dual Chamber Reaction Vessel Embodiment With Pierceable Membrane

Figure 5 is a detailed perspective view of a modified disposable test strip 19 similar to that used in the VIDAS® instrument in which a dual chamber reaction vessel 10 comprising a first chamber 32 and a second chamber 34 is integrally molded into the test strip 19 at the left-hand end 24 of the test strip. The test strip 19 includes a plurality of wells to the right of the dual chamber reaction vessel 10. These wells include a probe well 36, a hybridization well 38, an empty well 40, four wash buffer wells 42, 44, 46 and 48, and a well 50 for containing a bleach solution. A substrate cuvette 52 is inserted into the opening 52 at the right hand end 54 of the strip for performance of optical analysis. The test strip 19 is used in conjunction with a SPR®, not shown in the drawings, which is used to draw a fluid sample out of the amplification well 34. The SPR is then dipped into the other wells 36 - 50 during the test procedure in known fashion to perform the analysis, for example as performed in the commercially available VIDAS ® instrument.

Figure 6 is a detailed perspective view of a disposable test strip of Figure 5 as seen from below. Figure 7 is a cross section of the disposable test strip of Figures 5 and 6, showing a plunger 56 having a chisel-like tip at the lower end thereof that is used to pierce a membrane in a fluid channel connecting the two chambers 32 and 34 together to

thereby allow the fluid to pass from the first chamber 32 into the second or amplification chamber 34.

Figure 8 is a perspective view of the left hand end of the test strip of Figures 5-7 shown enlarged in order to better illustrate the dual chamber reaction vessel 10. Figure 9 is a detailed perspective view of a disposable test strip of Figure 5 as seen from below shown greatly enlarged, and with a cap 60 (Figure 12) covering the base of the first chamber and the intermediate chamber or fluid channel removed to better illustrate the structure of the device.

Figure 10 is a top plan view of the dual chamber reaction vessel of Figures 5-9 shown enlarged. Figure 11 is a detailed cross-section of the dual chamber reaction vessel with the lower cap removed as in Figure 9, and with the plunger removed. Figure 12 is a detailed cross section of the dual chamber reaction vessel with the lower cap 60 and plunger 56 installed as they would be in use.

Referring to Figures 5-12, the test strip 19 includes a molded body 62 that defines the walls of a reaction vessel 10. The vessel 10 includes a first chamber 32 in which a dried amplification reagent mix is placed at the bottom of the chamber 32 during manufacturing of the test strip 19. Polypropylene is a suitable material for use in molding the device 10 and test strip 19, and a thickness of 40 mils for the walls defining the chambers 32 and 34 is adequate in the illustrated operational embodiment. The wells of the test strip, including the first and second chambers 32 and 34, respectively, are covered with a thin film or membrane 64 after manufacture, shown in Figures 7, 11, 12, to seal all of the wells and reaction vessel 10. The membrane (such as PET, commonly known as MYLAR®, or aluminum foil with a moreprine polyethylene/polypropylene mix

adhesive) is removed from Figures 5, 8 and 10 in order to illustrate the structures in the test strip 19.

The bottom of the first chamber 32 is capped by a cap 60 that is ultrasonically welded to the bottom surface 68 of the walls defining the first chamber. The cap 60 is shown greatly enlarged in Figures 16-18 and discussed below. The cap 60 provides a fluid passage from the base of the first chamber 32 to the base of an intermediary fluid passage 70 connecting the first chamber 32 to the second chamber 34. A plunger 56 with a chisel-like tip is positioned in the intermediary fluid passage 70. The chisel tip of the plunger 56 breaks a membrane or seal 72 (Figure 9) in the fluid passage (flushed molded in the fluid passage during molding) when the plunger 56 is depressed from above. This allows fluid to migrate from the first chamber 32 into the fluid passage 70, up along the side of the plunger 56 and into a second channel 74 (Figures 8 and 10) communicating with a enzyme pellet chamber 76 that contains the enzyme pellet (not shown). The fluid sample dissolves the enzyme pellet as it travels through the enzyme pellet chamber 76 into the second or amplification chamber 34 (see Figure 8).

A vacuum port 80 (Figure 8) is provided in fluid communication with the second chamber 34. A Porex polyethylene filter (not shown) is positioned within the vacuum port 80. Vacuum is used to effectuate the transfer of the fluid sample from the first chamber 32 to the second chamber 34 after the plunger 56 has been moved to the lower position to break the seal 72. A vacuum implement containing a vacuum probe or tube (see e.g., Figure 33) is inserted into the vacuum port 80 in a manner such that a seal is formed in the top surface 82 of the strip adjacent the vacuum port 80. Vacuum is drawn in the vacuum tube. The pressure difference resulting from ambient pressure in the first chamber 32 and a vacuum in the second chamber 34 draws fluid up the intermediate

chamber or fluid passage 70 and into the channel 74 and pellet chamber 76 and into the second chamber 34.

Figure 13 is an isolated perspective view of the plunger 56 of Figure 12. Figure 14 is another perspective view of the plunger 56, shown from below. Figure 15 is an elevational view of the plunger 15. Referring to Figures 13-15, the plunger includes a cylindrically-shaped body 90 having a chisel 92 at the lower end thereof and a head portion 94. The head portion 94 includes a circular ring 96 with voids 98 formed therein to promote the drawing of a vacuum in the intermediate chamber 70 (Figures 8 -12) in which the plunger is installed. The head 94 has downwardly depending feet 100 that seat on a rim 102 (Figure 11) inside the intermediate chamber 70 when the plunger 65 has been depressed to its lowermost position, as shown in Figure 12. The chisel 92 has a tip 104 that breaks through the seal or membrane 72 obstructing the passage of fluid up the intermediate channel 70. The seal 72 is best showing Figures 9, 11 and 12. Figure 12 shows the placement of the chisel 92 just above the seal 72 as it would be while the heating to 95 degrees C in the first chamber 32 is occurring and during the cool-down period.

As shown in Figure 14, the plunger has a V-shaped groove 106 in the side of the plunger body 90 that provides a channel for fluid to rise up the length of the cylindrical body 90 of the plunger to the elevation of channel 74 (Figure 10) connecting the intermediate chamber 70 with the enzyme pellet chamber 76.

Figure 16 is a perspective view of the top surface of the cap 60 that covers the base of the first chamber of the reaction vessel of Figures 8 and 9, shown greatly enlarged. Figure 17 is a cross-section of the cap 60 of Figure 16. Figure 18 is a perspective view of the base of cap 60. Referring to these figures, in conjunction with

Figures 6 and 9, it will be seen from Figure 8 that without the cap 60 there is no base to the first chamber 32 and no fluid passage between the first chamber 32 and the intermediary chamber 70. The cap 60 provides the base of the first chamber 32 and the passage between the first chamber 32 and the intermediate chamber 70. The cap 60 includes a shallow tray 110 positioned to form a base of the first chamber 32. The tray 110 slopes downwardly to a small passage 112 linking the shallow tray 110 to a circularly shaped reservoir 114 that is in vertical alignment with the circular wall 116 of the intermediate chamber (see Figure 9). The semirectangular and semicircular rim 118 of the cap 60 is ultrasonically bonded to the bottom portions 68 and 116 of the first and intermediate chambers, respectively, as shown in Figure 6. In the installed condition, when the fluid sample has been introduced into the first chamber 32, the fluid will pass into the channel 112 and reservoir 114, immediately below the seal 72 in the intermediate chamber (see Figure 9). Thus, when the seal 72 is broken by the plunger 56 and vacuum is drawn from the vacuum port 80 of Figure 8, the solution of the fluid sample and reagent from the first chamber 32 will be drawn up the side of the plunger 56 and into the enzyme pellet chamber 76, dissolving the pellet, and into second chamber 34 where the amplification reaction takes place.

Referring to Figure 5, after the amplification reaction has occurred in the second chamber 34 at the proper temperature, the SPR (not shown) is lowered into the second chamber 34 and a portion of the amplified sample is withdrawn into the SPR. The SPR and test strip are moved relative to each other such that the SPR is positioned above the adjacent probe well 36, whereupon it is lowered into the probe well 36. The rest of the analytical processes with the SPR and test strip are conventional and well known in the

art. For example, the process may be implemented in the manner performed by the VIDAS instrument of the applicants' assignee.

Figure 19 is a perspective view of a stand-alone disposable dual chamber reaction vessel 10 that is designed to snap into the test strip 19 of the type shown in Figure 5 in the manner suggested in Figure 4. Figure 20 is a perspective view of the stand-alone disposable dual chamber reaction vessel of Figure 19 shown upside down, with a lower cap constructed as shown in Figure 16-18 to cover the base of the first chamber 32 and intermediate chamber 70 removed. A thin film or foil type membrane is applied to the top surface of the reaction vessel 10, in a manner to cover the first chamber 32, the intermediate chamber 34, enzyme pellet chamber 76, second chamber 34 and vacuum port 80. The film is not shown in Figure 19 in order to better illustrate the structures of the reaction vessel 10. Further, a plunger for the intermediate chamber 70 is also not shown. Once the stand-alone disposable reaction vessel of Figures 19 and 20 has been installed into the test strip, the operation of the embodiment of Figures 19 and 20 is exactly as described above.

To accommodate the vessel of Figures 19 and 20 into the test strip 19 of Figures 5 and 6, the test strip 19 is modified by providing an aperture in the left hand end 24 of the test strip adjacent to the probe well 36, and providing suitable rail structures to allow a pair of flanges 120 on the periphery of the unit 10 to snap into the test strip 19. Of course, it will be understood that after molding of the reaction vessel of Figure 19, the nucleic acid and amplification reagent will be added to the first chamber 32, and the enzyme pellet is added to the enzyme pellet chamber 76. Then, the film covering the entire top surface of the vessel 10 will be applied to seal the chambers. The device is then ready for use as described herein.

Dual Chamber Reaction Vessel Embodiment With Elastomeric Thimble Valve

Figure 21 is perspective view of yet another alternative construction of the disposable dual chamber reaction vessel 10 of Figure 19 that can be molded into the test strip or made as a separate unit to snap into a test strip 19 as described above. The vessel 10 has a first chamber 32 and a second chamber 34 and an intermediate chamber 70 linking the two chambers 32 and 34 together. The base of the first chamber 32 has a hole that is plugged with a cap 60 that is ultrasonically welded to the base of the housing 130. The cap 60 is spaced slightly from the bottom surface of a wall 132 forming the side of the first chamber 32, thereby defining a small passage 134 for fluid to flow out of the first chamber into the intermediate chamber 70. Amplification reagents 16 for the denaturation step are loaded into the base of the chamber 32 of the reaction vessel 10, as shown in Figure 25. An enzyme pellet 18 is loaded into the secondary chamber 34.

An elastomeric thimble-shaped valve element 140 having helical rib features 142, shown isolated in Figure 24, is positioned in the intermediate chamber 70. Figure 22 is a cross-sectional view of the embodiment of Figure 21, showing the thimble valve 140 in the intermediate chamber 70. A filter 144 is positioned above the top of the thimble valve 144. In its relaxed state, a lower circumferential rib 148 on the thimble valve 140 and the exterior surfaces of the helical rib feature 142 on the side walls of the thimble valve 140 make contact with the wall of the intermediate chamber 70, sealing off the chamber 70 and preventing fluid from passing from the gap 134 separating the cap 60 from the wall 132, up the intermediate chamber 70 and into the secondary chamber 34.

The resilient thimble valve 140 is deformable such that the lower circumferential rib 148 may be moved away from the wall of the intermediate chamber 70. This is achieved by inserting an element 152 into the interior of the thimble valve 140 and

pressing on the wall portion 149 of the valve 140 to stretch and deform the end wall and adjacent shoulder of the thimble valve. Figure 23 is a cross-sectional view of the embodiment of Figure 21 showing the action of the helical thimble valve 140 being deformed by a vacuum plunger 152 that is inserted into the interior of the thimble valve 5 140. The end of the vacuum plunger presses against the wall 149, as shown in Figure 23, pulling the lower circumferential rib away from the wall of the intermediate chamber 70. The helical rib feature 142 stays in contact with the cylindrical wall of the chamber 70. At the same time, vacuum is drawn through an aperture in the side of the vacuum plunger 152 to pull air out of the secondary chamber 34 and through the filter 144 into the vacuum 10 plunger 152. This vacuum action draws fluid out of the base of the first chamber 32, and up vertically in a helical path along the helical port defined between the helical rib feature 142 and the wall of the intermediate chamber 70. Substantially all of the patient sample/reagent solution in the first well 32 is removed in accordance with this embodiment. The solution passes from the upper end of the helical feature 142 into a gap 15 150 connecting the intermediate chamber 70 with the second chamber 34. This is illustrated best in Figures 23 and 25.

The embodiment of Figures 21-23 has the advantage that the opening of the thimble valve 140 tends to cause any oil in the amplification reagent mix in the first chamber that may find its way to the base of the intermediate chamber 70 to be blown 20 back toward the first chamber, acting in the manner of a common plunger, and allow the fluid sample and reagent solution to take its place. Where the amplification reagent contains an oil such as a silicone oil, it is important that the oil is not the first substance to migrate into the second chamber, as this can cause the oil to coat the enzyme pellet in the second chamber, which can interfere with the amplification reaction in the second

chamber 34. Thus, preferably the thimble valve 140 is designed such that when the wall 149 of the thimble valve 140 is activated by the vacuum probe 152, any oil that may lie at the base of the intermediate chamber 70 is initially forced back into the first chamber 32. Once the lower rib 148 of the thimble valve 140 is moved away from the wall of the intermediate chamber 70, the drawing of the vacuum in the second chamber allows the fluid sample/reagent solution to be drawn into the second chamber as described above.

Test Strip With Enzyme Carrier Embodiment

Figure 26 is a perspective view of yet another embodiment of the disposable reaction vessel 150 in accordance with the invention. The reaction vessel 150 is designed to snap into the test strip 19 of Figure 8 in the manner suggested in Figure 4 and described above. Figure 27 is a cross-section of the embodiment of Figure 26. Referring to Figures 26 and 27, the disposable reaction vessel 150 comprises a unitary housing 152 that defines a first chamber or amplification well 154 which has loaded in it an amplification pellet or dried reagent mix 16 for the denaturation step in the TMA process. The amplification well 154 is separated from a second chamber 156 by a heat and moisture isolation barrier 158. The second chamber contains an enzyme plunger or carrier 160 for containing an enzyme pellet 18 for introduction into the amplification well 154 after the fluid sample has been introduced into the amplification well 154 and the denaturation process has been completed. The enzyme plunger 160 has a recessed surface 162 for receiving an implement through the opening at the top of the chamber 156. A foil layer 164 is applied to the top surface of the reaction vessel 150 as shown.

Figure 28 is a cross-section of a test strip 19 incorporating the embodiment of Figure 26. The reaction vessel 150 can be manufactured as a stand-alone disposable unit,

as suggested in Figures 26 or 27, and snapped into place in a test strip as shown in Figure 28, or the test strip of Figure 28 may be manufactured with the amplification well of Figure 31 as an integral part of the test strip 19 itself. In the preferred embodiment, the unit 150 is manufactured as an integral part of the test strip. The test strip 19 has a sliding cover 164 positioned at the end of the test strip 19 comprising a gripping surface 166 and a plastic label 168 carried by first and second mounting structures 170.

Figures 29A-29C show the use of the test strip 19 with the disposable reaction vessel of Figure 28. In the first step, the sliding cover 164 is pulled back and a pipette 172 is inserted through the foil layer 164 to deposit the fluid sample 176 into the amplification well 154. The pipette 172 is removed and the cover 164 is slid back into place over the amplification well 154 into the position shown in Figure 29B. The amplification well 154 is heated to 95 degrees C to subject the fluid sample 176 to denaturation with the aid of the amplification reagent pellet 16. The second chamber 156 containing the enzyme pellet 18 is not subject to the 95 degree C heating. After the amplification well has cooled down to 42 degrees C, an implement 180 is inserted into the second chamber containing the enzyme carrier 160 and enzyme pellet 18 and placed into contact with the enzyme carrier 160. The implement 180 is moved further in to force the carrier 160 through the heat and moisture isolation barrier 158, thereby adding the enzyme pellet 18 to the amplification well 154. The enzyme carrier 160 blocks the chamber as shown in Figure 29 C, preventing contamination of the amplification well 154. A cover (not shown) could be slid over the entrance of the second chamber or channel if desired. The amplification well 154 is then maintained at a temperature of 42 degrees C for roughly one hour for the amplification process to proceed. After the amplification process is complete, a reagent SPR having at least one reaction zone is

inserted through a membrane 168 or label as shown in Figure 29 C, and a portion of the amplified solution is withdrawn into the SPR. The rest of the process proceeds in known fashion.

5 Dual Chamber vessel with Piston-actuated Fluid Transfer Embodiment

Figure 30 is a schematic representation of yet another embodiment of a dual chamber disposable reaction vessel 10. The fluid sample is loaded into the first chamber 32 and denaturation and primer annealing steps are performed in the first chamber 32, with the aid of an amplification mix reagent loaded into the first chamber. After the first
10 chamber has cooled to 42 degrees C, a piston mechanism 184 is applied to the first chamber 184 to increase the fluid pressure in the first reaction chamber to break a seal 186 in a fluid channel 188 connecting the first chamber 32 to the second chamber 34. The fluid sample is forced from the first chamber 32 into the second chamber 34. The second chamber is loaded with the enzyme pellet 18. The amplification reaction takes
15 place in the second chamber 34 at a temperature of 42 degrees C. The piston 184 may be incorporated as a cap structure to the reaction vessel 10 and which is depressed by a SPR, as shown, or a separate piston could be used to force the fluid from the first chamber 32 into the second chamber 34.

20 Amplification Station

Figure 31 is a perspective view of a stand-alone amplification reaction processing system 200 for the test strips 19 (see, e.g., Figures 3 and 5) having the dual chamber reaction vessels in accordance with a presently preferred form of the invention. The system 200 consists of two identical amplification stations 202 and 204, a power supply

module 206, a control circuitry module 208, a vacuum tank 210 and connectors 212 for the power supply module 206. The tank 210 has hoses 320 and 324 for providing vacuum to amplification stations 202 and 204 and ultimately to a plurality of vacuum probes (one per strip) in the manner described above for facilitating transfer of fluid from the first chamber to the second chamber. The vacuum subsystem is described below in conjunction with Figure 39.

The amplification stations 202 and 204 each have a tray for receiving at least one of the strips 19 of Figure 5 (in the illustrated embodiment up to 6 strips) and associated temperature control, vacuum and valve activation subsystems for heating the reaction wells of the strip to the proper temperatures, effectuating a transferring of fluid from the first chamber in the dual chamber reaction wells to the second chamber, and activating a valve such as a thimble valve in the embodiment of Figure 22 to open the fluid channel to allow the fluid to flow between the two chambers.

The stations 202 and 204 are designed as stand alone amplification stations for performing the amplification reaction in an automated manner after the patient or clinical sample has been added to the first chamber of the dual chamber reaction vessel described above. The processing of the strips after the reaction is completed with a SPR takes place in a separate machine, such as the commercially available VIDAS instrument. Specifically, after the strips have been placed in the stations 202 and 204 and the reaction run in the stations, the strips are removed from the stations 202 and 204 and placed into a VIDAS instrument for subsequent processing and analysis in known fashion.

The entire system 200 is under microprocessor control by an amplification system interface board (not shown in Figure 31). The control system is shown in block diagram form in Figure 38 and will be described later.

Referring now to Figure 32, one of the amplification stations 202 is shown in a perspective view. The other amplification station is of identical design and construction. Figure 33 is a perspective view of the front of the station 202 of Figure 31.

Referring to these figures, the station includes a vacuum probe slide motor 222 and vacuum probes slide cam wheel 246 that operate to slide a set of vacuum probes 244 (shown in Figure 33) for the thimble valves of Figure 21 up and down relative to a vacuum probes slide 246 to open the thimble valves (reference 140 in the embodiment of Figures 21-23) and apply vacuum so as to draw the fluid from the first chamber of the reaction vessel 10 (e.g., Figure 21) to the second chamber. The vacuum probes 244 reciprocate within annular recesses provided in the vacuum probes slide 246. The vacuum probes 244 are positioned in registry with the intermediate chamber 70 in the embodiment of Figure 22, or in registry with the vacuum port 80 in the embodiment of Figure 11.

For an embodiment in which the strips are constructed in the manner of Figures 5-12, the vacuum probe 244 would incorporate a suitable pin structure (not shown) immediately adjacent the shaft of the vacuum probe 244 that would operate the plunger 56 of Figure 12 to open the intermediate chamber 70 when the vacuum probe 244 is lowered onto the vacuum port. Obviously, proper registry of the pin structure and vacuum probe 244 with corresponding structure in the test strip as installed on the tray needs to be observed.

The station includes side walls 228 and 230 that provide a frame for the station 202. Tray controller board 229 is mounted between the side walls 228 and 230. The electronics module for the station 202 is installed on the tray controller board 229.

A set of tray thermal insulation covers 220 are part of a thermal subsystem and are provided to envelop a tray 240 (Figure 33) that receives one or more of the test strips. The insulation covers 220 help maintain the temperature of the tray 240 at the proper temperatures. The thermal subsystem also includes a 42 degree C Peltier heat sink 242, a
5 portion of which is positioned adjacent to the second chamber in the dual chamber reaction vessel in the test strip to maintain that chamber at the proper temperature for the enzymatic amplification reaction. A 95 degree C heat sink 250 is provided for the front of the tray 240 for maintaining the first chamber of the reaction well in the test strip at the denaturation temperature.

10 Figure 34 is another perspective view of the module of Figure 33, showing the 95 degree C heat sink 250 and a set of fins 252 dissipating heat. Note that the 95 degree C heat sink 250 is positioned to the front of and slightly below the tray 240. The 42 degree C heat sink 242 is positioned behind the heat sink 250.

Figure 35 is a detailed perspective view of a portion of the tray 240 that holds the
15 test strips (not shown) as seen from above. The tray 240 includes a front portion having a base 254, and a plurality of discontinuous raised parallel ridge structures 256 with recessed slots 258 for receiving the test strips. The base of the front 254 of the tray 240 is in contact with the 95 degree C heat sink 250. The side walls of the parallel raised ridges 256 at positions 256A and 256B are placed as close as possible to the first and
20 second chambers of the reaction vessel 10 of Figure 1 so as to reduce thermal resistance. The base of the rear of the tray 240 is in contact with a 42 degree C Peltier heat sink, as best seen in Figure 34. The portion 256B of the raised ridge for the rear of the tray is physically isolated from portion 256A for the front of the tray, and portion 256B is in

contact with the 42 degree C heat sink so as to keep the second chamber of the reaction vessel in the test strip at the proper temperature.

Still referring to Figure 35, each of the vacuum probes 244 include a rubber gasket 260. When the vacuum probes 244 are lowered by the vacuum probe motor 222 (Figure 5 32) the gaskets 260 are positioned on the film covering the upper surface of the test strip surrounding the vacuum port in the dual chamber reaction vessel so as to make a tight seal and permit vacuum to be drawn on the second chamber.

Figure 36 is an isolated perspective view of the test strip holder or tray 240 of Figure 35, showing two test strips 19 in accordance with Figure 5 installed in the tray 10 240. The tray 240 has a plurality of lanes or slots 241 receiving up to 6 test strips 19 for simultaneous processing. Figure 36 shows the heat sinks 242 and 250 for maintaining the respective portions of the tray 240 and ridges 256 at the proper temperature.

Figure 37 is a detailed perspective view of the test strip holder or tray 240 as seen from below. The 95 degree C Peltier heat sink which would be below front portion 254 15 has been removed in order to better illustrate the rear heat sink 242 beneath the rear portion of the tray 240.

Figure 38 is a block diagram of the electronics and control system of the amplification processing system of Figure 31. The control system is divided into two boards 310 and 311, section A 310 at the top of the diagram devoted to amplification 20 module or station 202 and the other board 311 (section B) devoted to the other module 204. The two boards 310 and 311 are identical and only the top section 310 will be discussed. The two boards 310 and 311 are connected to an amplification station interface board 300.

The interface board 300 communicates with a stand alone personal computer 304 via a high speed data bus 302. The personal computer 304 is a conventional IBM compatible computer with hard disk drive, video monitor, etc. In a preferred embodiment, the stations 202 and 204 are under control by the interface board 300.

5 The board 310 for station 202 controls the front tray 240 which is maintained at a temperature of 95 degrees C by two Peltier heat sink modules, a pair of fans and a temperature sensor incorporated into the front portion 254 of the tray 240, all of which are conventional. The back of the tray is maintained at a temperature of 42 degrees C by two Peltier modules and a temperature sensor. The movement of the vacuum probes 244
10 is controlled by the probes motor 222. Position sensors are provided to provide input signals to the tray controller board as to the position of the vacuum probes 244. The tray controller board 310 includes a set of drivers 312 for the active and passive components of the system which receive data from the temperature and position sensors and issue commands to the active components, i.e., motors, fans, Peltier modules, etc. The drivers
15 are responsive to commands from the amplification interface board 300. The interface board also issues commands to the vacuum pump for the vacuum subsystem, as shown.

Figure 39 is a diagram of the vacuum subsystem 320 for the amplification processing stations 202 and 204 of Figure 31. The subsystem includes a 1 liter reinforced plastic vacuum tank 210 which is connected via an inlet line 322 to a vacuum
20 pump 323 for generating a vacuum in the tank 210. A vacuum supply line 324 is provided for providing vacuum to a pair of pinch solenoid valves 224 (see Figure 32) via supply lines 324A and 324B. These vacuum supply lines 324A and 324B supply vacuum to a manifold 226 distributing the vacuum to the vacuum probes 244. Note the pointed tips 245 of the vacuum probes 244 for piercing the film or membrane 64 (Figure 11)

covering the strip 19. The vacuum system 320 also includes a differential pressure transducer 321 for monitoring the presence of vacuum in the tank 210. The transducer 321 supplies pressure signals to the interface board 300 of Figure 38.

Figure 40 is a representative graph of the thermal cycle profile of the station of Figure 31. As indicated in line 400, after an initial ramp up 402 in the temperature lasting less than a minute, a first temperature T1 is reached (e.g., a denaturation temperature) which is maintained for a predetermined time period, such as 5-10 minutes, at which time a reaction occurs in the first chamber of the reaction vessel. Thereafter, a ramp down of temperature as indicated at 404 occurs and the temperature of the reaction solution in the first chamber of the reaction vessel 10 cools to temperature T2. After a designated amount of time after cooling to temperature T2, e.g., 42 degrees C, a fluid transfer occurs in which the solution in the first chamber is conveyed to the second chamber. Temperature T2 is maintained for an appropriate amount of time for the reaction of interest, such as one hour. At time 406, the temperature is raised rapidly to a temperature T3 of ≥ 65 degrees C to stop the amplification reaction. For a TMA reaction, it is important that the ramp up time from time 406 to time 408 is brief, that is, less than 2 minutes and preferably less than one minute. Preferably, all the ramp up and ramp down of temperatures occur in less than a minute.

Referring now to Figure 41, an alternative and preferred construction for the dual chamber reaction vessel that is suitable for use with the reaction processing station of FIGs. 30-39 and the test strip described previously is illustrated. This embodiment provides a valve means for controlling a connecting conduit linking the first and second chambers together. The valve means was particularly simple to put into effect, both with

respect to the construction or design of the reaction vessel and with respect to the external means required for controlling or activating these components.

The valve means includes three components and associated features. First, a connecting conduit is provided which is flexible, that is to say having an internal cross-section of flow which can be reduced simply by the application of external pressure, or having a wall which can yield (i.e., deflect inwardly), again by the application of this external pressure. Second, a sealing piece or ball element is disposed within the conduit. This seal piece provides a hermetic seal within the connecting conduit. The seal piece is held in the conduit by the wall of the conduit being pressed against the external surface of the seal piece. Thirdly, the conduit and seal piece are adapted to work together with an external device for constricting the conduit element externally, and set up or positioned in relation to this external device to create a primary or interstitial passage within this conduit piece at the point where the seal piece is located.

Referring now to Figures 41 to 43, a dual chamber reaction vessel 10 in accordance with this embodiment includes a molded body 512 of plastic material. The two flat faces at the front and rear of the body are coated with two films of material (513 and 514 respectively) which seal off the first and second reaction chambers and passages created in the body 512 by the molding process.

Figures 41 and 42 clearly show how the two reaction chambers 502 and 503 are formed, mainly in the body section 512, with one chamber 502 being cylindrical and tapered in shape and the other 503 having a quadrangular cross-section. These two chambers are joined together by a connecting flexible conduit 504 similar to a siphon. One end of the conduit 504 is in communication via a front orifice 510 to the lower part of the chamber 502. The other end of the conduit 504 has a rear orifice 511 set at the top

of the other chamber 503, and passing via a vertical conduit portion 505 which is described in further detail below.

A means to control, in particular to open, the connection conduit 504 described above is provided in the conduit portion 505. In particular, an external device 508 is provided for constricting the conduit portion 505. The external device 508 is inserted into the reaction vessel 10 from the side to which the equipment or control system is connected to the conduit portion 505, for example from above the test strip when the reaction vessel is positioned in a test strip and installed in the processing station of FIGs. 31-39.

As shown in FIGs. 41-44, in a first embodiment, the conduit portion 505 is flexible, meaning that its internal cross-section can be reduced by applying an external pressure, such as pressure applied peripherally or centripetally. As with the body 512, this conduit piece 505 is made from plastic material, such as low density polyethylene for example.

A substantially rigid seal piece 506, consisting of a ball of glass or metal, is held in the interior 505a of the conduit portion 505. The seal piece 506 is held in place solely by the force of wall 507 of the conduit portion being pressed against the external surface of the seal piece 506. The seal piece 506 and the internal cross-section of the inside of the conduit portion 505a are both arranged so that the position for the seal piece 506 ensures that the seal piece provides a tight seal on the inside of the conduit portion 505a.

The conduit portion 505 consists of two parts. The first part 505b has a relatively narrow internal cross-section in which the seal piece 506 is held by the pressing action. The second part 505c has a relatively wide internal cross-section in which the seal piece

506 cannot be held by the pressing action and therefore falls to the bottom of the connecting conduit 504.

As stated previously, an external device 508 is provided on the automatic analysis apparatus side (i.e., above the dual chamber reaction vessel) to constrict the conduit portion 505. This external device is represented schematically in Figures 43 and 44 by two arms (581 and 582) fitted with pinch bars (581a and 582a respectively). Openings 521 and 522 are provided in the body 512 on either side of the conduit portion 505 to allow the two arms 581 and 582 to move freely (upwards and downwards, for example) and into a position for cooperating with the ball or seal piece 506. For example, and with reference to FIG. 33, each of the vacuum probe tools 244 may incorporate arm elements 581 and 582 which cooperate with the seal piece 506 to open the conduit 505 when they (tools 244) are lowered down onto the test strip.

As shown in Figure 44, the external constriction device 508 is positioned to move along the conduit portion 505 and push the seal piece 506 from the first part of the conduit portion 505b to the second part 505c without coming into contact with it. This allows the seal piece 506 to fall to the bottom of the conduit portion and free or open the passage in the conduit piece.

Two external stops 505d (Figure 41) are provided on the outside of the conduit portion to stop movement, for example downward movement, of the arms 81 and 82.

Referring now to Figure 45, in a second variation of the embodiment of Figure 41, the wall 507 of the conduit device 507 can yield, again by the application of external pressure, for example pressure applied peripherally or centripetally, when the relatively hard seal piece 506 comes into contact with it. In this case, the constricting device 508 is set up so that when it is in its lowered position, it makes an impression of the seal piece

506 in the wall 507 to create a lasting internal imprint 509. When the external constricting device 508 releases this pressure, an interstitial passage is created after the constriction device 508 has acted between the seal piece and the wall 507. This interstitial passage enables or releases flow through the connecting conduit 504. The dotted line to the left of Figure 45 shows the ball 506 in the position it is held in conduit 505, with the solid line at the right of the illustration showing the imprint made by the action of the constricting device 508.

Another representative example of how the dual chamber reactions vessels of this disclosure may be loaded with fluid sample and of how the fluid samples may be transferred from one chamber to another will be described in conjunction with Figure 46 and 47A-47E.

As shown on Figure 46, a dual chamber reaction vessel 600 comprising a body 612 made for example from molded plastic material: The vessel 600 includes a first chamber 602, made from plastic material, in communication with the outside via a conduit 604, with the closure and/or opening of this conduit controlled by a system, such as a valve, which is represented schematically by reference number 606. One the other side of the control system 606, this first conduit is in communication with an angled sampling conduit 608, which is described in further detail below. The vessel also includes a second chamber 603 in communication with the first chamber 602 only, via a second connecting conduit 605, which also has closing and/or opening operations controlled by a system, such as a valve, which is represented by the general reference number 607. The valve 607 and conduit 605 may, for example, take the form of the conduit and ball valve described previously, the elastomeric thimble valve and conduit

described earlier, or the spike structure that is operated to pierce a membrane and described above.

The component of the type illustrated in Figure 46 is generally operated within a gaseous external environment, at a reference pressure, hereinafter termed high pressure,
5 for example atmospheric pressure.

Further, the first and second chambers are loaded with reagent and enzymes in the manner described previously at the time of manufacture.

As an example, a first chemical or biochemical reaction takes place in the first chamber 602, causing this chamber to contain a first reagent, and the reagent product
10 obtained in chamber 602 is subjected to a further reaction in chamber 603, causing chamber 603 to contain a reagent or product which is different from the reagent originally contained in chamber 602

A process is illustrated in Figures 47A-47F whereby a liquid sample 611 contained in an external container, a test tube 610 for example, is transferred into the first
15 chamber 602 and then into the second chamber 603. The second chamber 602 is originally under high pressure, with the second conduit 605 being closed, and chambers 602 and 603 are isolated from each other. With the first conduit 604 being open, the first chamber 602 is in communication with the external environment and is therefore under high pressure HP (see Fig. 47A).

20 The first chamber 602 is brought down to a reduced pressure by the first conduit 604, i.e., a pressure being lower than the pressure termed low pressure which is described in further detail below; this is achieved by means of an arrangement such as connecting the first conduit 604 to an evacuation device or pump 609 (see Fig.47B). The first conduit 604 is then closed.

The free end of the angled tube 608 is immersed in the liquid 611 to be transferred contained in container 610. The first conduit 604 is in communication with the liquid at an immersed level via this angled tube 608, with the liquid being located in the gaseous external environment and hence subjected to high pressure. The first conduit is then
5 opened, causing the liquid to be transferred into the first chamber 602 via the first conduit 604 (see Figure 47C). Finally, the pressure in the first chamber 602 becomes established at a value termed reduced pressure (RP) which is greater than the pressure termed low pressure mentioned above, although remaining lower than the pressure termed as high pressure.

10 The first conduit 604 is closed to produce the situation shown in Figure 47D. The second conduit 605 is closed and the two chambers 602 and 603 are isolated from each other, with the second chamber 603 being at high pressure with the first conduit 604 closed, and the second chamber 602 being isolated from the outside and partially filled with the liquid previously transferred, whilst being at reduced pressure.

15 The second conduit 605 is opened (i.e., by opening the valve 607), causing the pressure in the two chambers 602 and 603 to become balanced at a pressure termed intermediate pressure (IP) which is between the high and reduced pressure values (see Figure 47E).

The first conduit 604 is then opened, causing the first chamber 602 to be in
20 communication with the external high pressure environment, and the liquid is transferred from the first chamber 602 to the second chamber 603 via the second conduit 605 (see Figure 47F). The pressure in the two chambers finally reaches the high pressure value. The first conduit 604 can be sealed permanently when the entire process has been completed. The reaction can then proceed in chamber 603. Of course, chambers 602

and 603 may be maintained at separate temperatures in accordance with the principles of the invention set forth above.

While presently preferred embodiments of the invention have been described herein, persons of skill in the art will appreciate that various modifications and changes may be made without departure from the true scope and spirit of the invention. For example, the novel reaction vessels and test strips can be used in other reactions besides isothermal amplification reactions such as TMA. The invention is believed to be suitable for many isothermal reactions, other enzymatic reactions, and reactions requiring differential heating and containment. For example, the reference to "denaturation and cooling", while specifically applicable to the TMA reaction, can be considered only one possible species of a heat differential step. Further, the spatial and temperature isolation of the amplification enzyme in the second chamber is considered one example of spatial isolation of a heat labile reagent. The invention is fully capable of being used in other types of reactions besides TMA reactions. This true scope and spirit is defined by the claims, to be interpreted in light of the foregoing.

THE EMBODIMENT OF THE INVENTION IN WHICH AN EXCLUSIVE PROPERTY OR PRIVILEGE IS CLAIMED ARE DEFINED AS FOLLOWS:

1. A dual chamber reaction vessel for an isothermal nucleic acid amplification reaction, characterized in that it comprises:
 - a first chamber for receiving a fluid sample, said first chamber being loaded with one or more amplification reagents;
 - a second chamber separate from said first chamber;
 - one or more enzymes for said reaction either in said second chamber or in fluid communication with said second chamber;
 - a sealing means covering said first chamber; and
 - a fluid channel or engagement surfaces for connecting said first chamber and said second chamber.
2. A vessel as claimed in claim 1 wherein it further comprises a means for selectively opening said fluid channel to allow a fluid to pass from said first chamber into said second chamber.
3. A vessel as claimed in claim 2 wherein said means for selectively opening said fluid channel comprises a breakable seal.
4. A vessel as claimed in claim 3 wherein said means for selectively opening said fluid channel comprises a means for creating fluid pressure in said sample fluid so as to break said seal and enable fluid to flow from said first chamber through said fluid channel into said second chamber.
5. A vessel as claimed in claim 3 wherein said means for selectively opening said fluid channel comprises a plunger reciprocable within said vessel from a first position to a

second position, said plunger in said second position being operable to cut said seal and thereby open said fluid channel

6. A vessel as claimed in claim 2 wherein said means for selectively opening said fluid channel comprises a valve.
7. A vessel as claimed in claim 6 wherein said valve is a thimble valve.
8. A vessel as claimed in any of claims 1 to 7 wherein it further comprises a vacuum port in fluid communication with said second chamber, such that the application of vacuum to said vacuum port draws said fluid sample from said first chamber into said second chamber.
9. A vessel as claimed in any of claims 1 to 8 wherein:

said first chamber and said second chamber are joined together via a connecting conduit and there is provided a valve means for opening said conduit comprising:

- (a) a flexible conduit portion linking said first and second chambers having a wall portion;
- (b) a substantially rigid seal piece disposed within said flexible conduit; said seal piece providing a tight seal within said conduit portion and being held in, the conduit by said wall of the conduit portion pressed against said seal piece; and
- (c) an external device for constricting said conduit portion, said conduit portion being positioned in relation to said external device such that relative motion between said conduit portion and said external device causes said external device to act on said seal piece to open said conduit and create a passage within said conduit portion at the point where said seal piece is located.

10. A vessel as claimed in claim 9 wherein said seal piece comprises a ball.
11. A vessel as claimed in claim 9 or claim 10 wherein said conduit portion further comprises an internal section which may be reduced by the application of an external pressure and consists of:
 - a first portion having a relatively narrow internal cross-section in which the seal piece is held by the wall of said conduit portion, and
 - a second portion with a relatively wide cross-section in which said seal piece cannot be held by said wall,said first and second portions being oriented such that said external constriction device may be moved along said conduit portion to push said seal piece from said first portion to said second portion.
12. A vessel as claimed in claim 11 wherein said conduit portion is made from a flexible plastic material.
13. A vessel as claimed in claim 11 wherein said conduit portion further comprises at least one external stop incorporated on the outside of the conduit portion to halt the movement of the constriction device into said dual chamber reaction vessel.
14. A vessel as claimed in any of claims 9 to 13 wherein said conduit piece further comprises a flexible wall and the external constriction device is operative to make an impression of the shape of the outside of the seal piece in said wall to create an imprint on the inside of said wall to allow an interstitial flow between said seal piece and said wall after action of the constriction device.
15. A vessel as claimed in any of claims 9 to 14 wherein said first and second chambers and said conduit portion are made from a single moulding of plastic material.

16. A vessel as claimed in any of claims 9 to 15 wherein said external constriction device comprises a pair of arms, said arms cooperating with said seal piece to move said seal piece from a first location in said conduit portion to a second location in said conduit portion when said pair of arms are moved relative to said dual chamber reaction vessel.
17. An amplification processing station characterized in that it comprises a dual chamber reaction vessel as claimed in claim 16, said arms reciprocating from a first position to a second position and said arms, in said second position, opening said conduit portion.
18. A test strip characterized in that it comprises a reaction vessel as claimed in any of claims 1 to 16.
19. A test strip as claimed in claim 18 further comprising an optical cuvette for conducting an optical analysis of a sample.
20. A method for conducting an isothermal nucleic acid amplification reaction characterized in that it comprises:

providing a dual chamber reaction vessel comprising a first chamber and a separate second chamber capable of being placed in fluid communication by a fluid channel or engagement surfaces, said dual chamber reaction vessel being loaded with one or more amplification reagents in said first chamber and one or more amplification enzymes in said second chamber;

sealing said first and second chambers with said one or more amplification reagents and one or more amplification enzymes from the environment with a membrane;

and, at the time of use of said dual chamber reaction vessel,

piercing said membrane with an implement and loading a sample into said first chamber;

heating said first chamber and said sample to a first relatively high temperature, while
maintaining said second chamber at a second relatively low temperature;
cooling said first chamber and a solution of said sample and said one or more
amplification reagents from said first relatively high temperature;
either passing said solution from said first chamber to said second chamber, or
introducing the contents of said second chamber into said first chamber; and
amplifying said solution either in said second chamber or in said first chamber by
means of said amplification enzyme.

21. A method as claimed in claim 20 further comprising applying vacuum to said second chamber so as to draw said solution through said fluid channel from said first chamber to said second chamber, if said amplification reaction is to occur in said second chamber.
22. A method as claimed in claim 20 wherein said first and second chambers are adjacent to each other in a disposable test device.
23. A method as claimed in claim 20 or claim 22 wherein said first and second chambers are provided in a disposable test strip having a plurality of other wells.
24. A method as claimed in any of claims 20 to 23 wherein said solution is passed from said first chamber to said second chamber by operation of opening a valve in a connecting conduit.
25. A method as claimed in claim 24 wherein the valve comprises a ball valve.
26. A method as claimed in any of claims 20 to 25 wherein said solution is drawn from said first chamber to said second chamber by vacuum.

27. A method as claimed in any of claims 20 to 26 herein said solution passes through an intermediate chamber containing an amplification enzyme as it is drawn from said first chamber to said second chamber.
28. A method as claimed in any of claims 20 to 27 wherein said heating is performed by placing said first chamber in thermal contact with a first heat sink maintained at a temperature suitable for denaturation and primer annealing and said second chamber is placed in thermal contact with a second heat sink maintained at a temperature suitable for amplification.
29. A nucleic acid amplification station for a test strip, said test strip comprising a dual chamber reaction vessel comprising a first chamber and a second chamber, the station comprising:
- a tray for at least one test strip, said tray comprising a first portion and a second portion positioned adjacent to first and second chambers of said dual chamber reaction vessel, respectively;
 - a temperature control subsystem for said tray maintaining said first and second portions of said tray at first and second different amplification reaction temperatures so as to maintain said first and second chambers at said first and second amplification reaction temperatures, respectively;
 - a fluid conduit opening mechanism for opening a fluid conduit in said dual chamber reaction vessel to thereby establish fluid communication between said first chamber and said second chamber; and
 - a vacuum subsystem including a vacuum probe, said test strip and vacuum probe reciprocable relative to each other, said vacuum probe cooperating with said

reaction vessel in said test strip for transferring a fluid sample from said first chamber to said second chamber via said fluid conduit.

30. The station of claim 29, wherein said fluid conduit opening mechanism comprises a pin for said test strip reciprocable with said vacuum probe relative to said test strip.
31. The station of claim 29, wherein said vacuum probe comprises a tip portion, and wherein said fluid conduit opening mechanism comprises said tip portion of said vacuum probe.
32. The station of claim 29, wherein said temperature control subsystem further comprises a first heat sink for heating said first portion of said test strip to said first temperature and a second heat sink isolated from said first heat sink for maintaining said second portion of said test strip at a second temperature.
33. The station of claim 29, wherein said tray comprises a base and a plurality of raised ridges defining slots for receiving a plurality of test strips.
34. The station of claim 33, wherein said raised ridges are discontinuous, with a first portion of said raised ridges in contact with a first heat sink and a second portion of said raised ridges in contact with a second heat sink.
35. A nucleic acid amplification station for a test strip, said test strip comprising a dual chamber reaction vessel comprising a first chamber and a second chamber, the station comprising:
 - a tray for at least one test strip, said tray comprising a first portion and a second portion positioned adjacent to first and second chambers of said dual chamber reaction vessel, respectively;
 - a temperature control subsystem for said tray maintaining said first and second

portions of said tray at first and second different amplification reaction temperatures so as to maintain said first and second chambers at said first and second amplification reaction temperatures, respectively, during processing of said test strip; and

a fluid conduit opening mechanism for opening a fluid conduit in said dual chamber reaction vessel to thereby establish fluid communication between said first chamber and said second chamber.

36. A method for conducting a nucleic acid amplification reaction, comprising the steps of:

providing a dual chamber reaction vessel comprising first and second chambers capable of being placed in fluid communication with each other, said dual chamber reaction vessel loaded with one or more amplification reagents into said first chamber and one or more amplification enzymes in said second chamber;

sealing said first and second chambers with said one or more amplification reagents and one or more amplification enzymes from the environment with a membrane after loading said one or more amplification reagents and one or more amplification enzymes in said dual chamber reaction vessel;

and, at the time of use of said dual chamber reaction vessel,

piercing said membrane with an implement and loading a sample into said first chamber;

heating said first chamber and said sample to a first relatively high temperature while maintaining said second chamber at a second relatively low temperature;

cooling said first chamber and a solution of said sample and said one or more

amplification reagents from said first relatively high temperature;

thereafter introducing the contents of said second chamber into said first chamber; and

amplifying said solution in first chamber by said amplification enzyme.

37. The dual chamber reaction vessel of claim 1, wherein said first and second reaction vessel and said fluid channel are made from a single moulding of plastic material.
38. The dual chamber reaction vessel in any of claims 1 to 16, wherein said dual chamber reaction vessel is incorporated into a test strip for a nucleic acid amplification reaction.
39. The dual chamber reaction vessel of claim 38, wherein said test strip comprises a body portion defining a plurality of wells arranged in a row and having a first end and a second end, said second end having a cuvette for conducting an optical analysis of a sample, and an aperture in said body portion adjacent to said first end of said test strip for receiving said dual chamber reaction vessel.

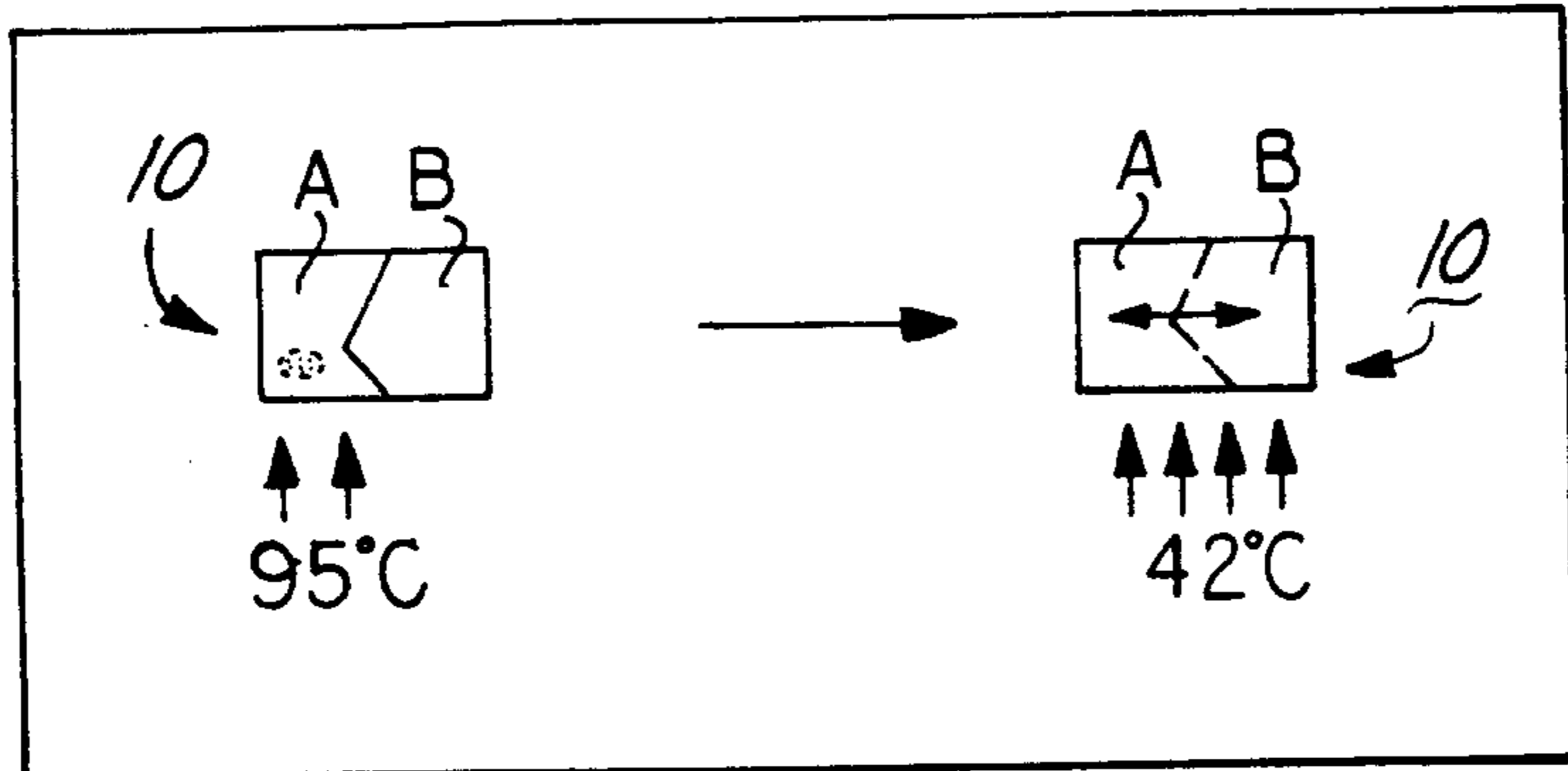


FIG. 1

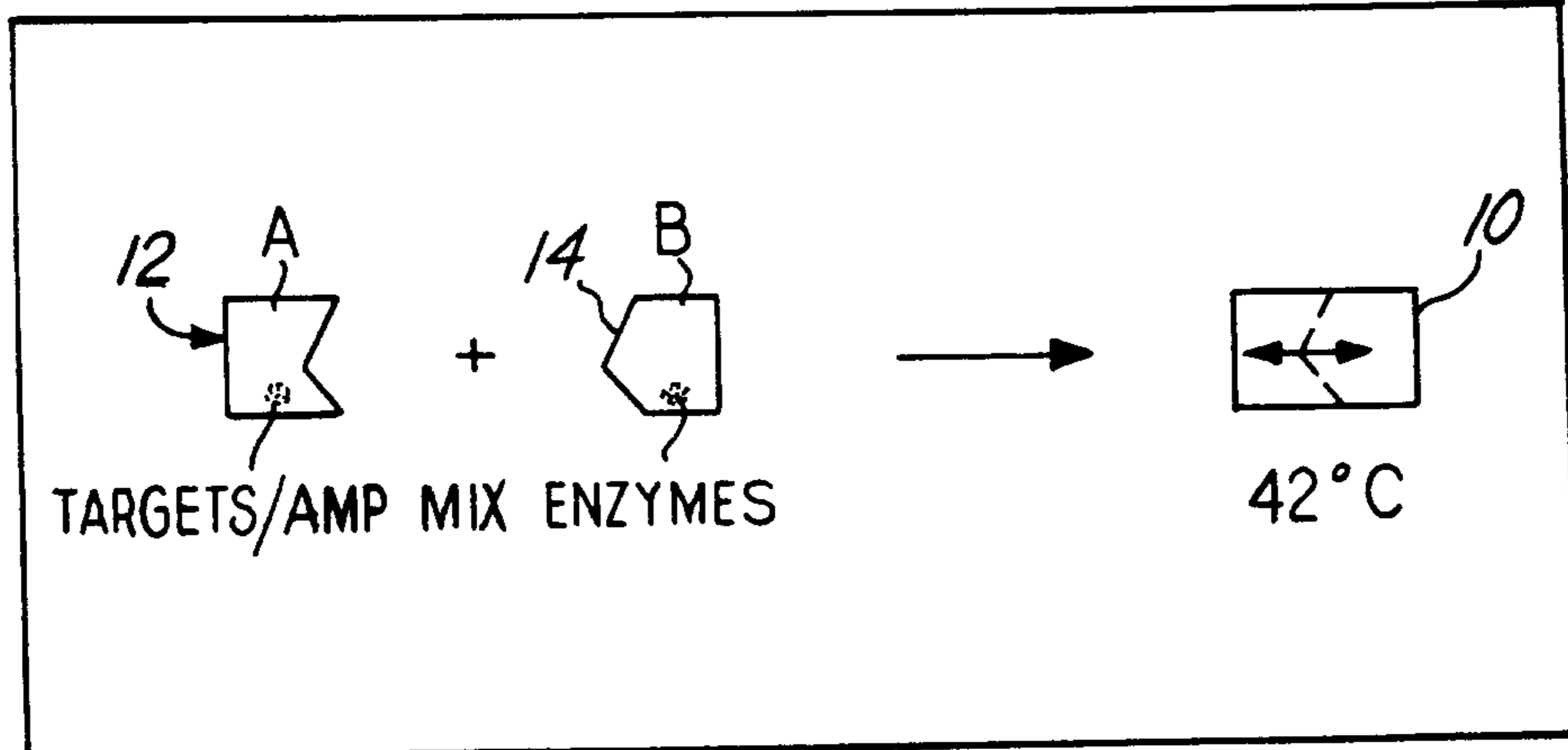


FIG. 2

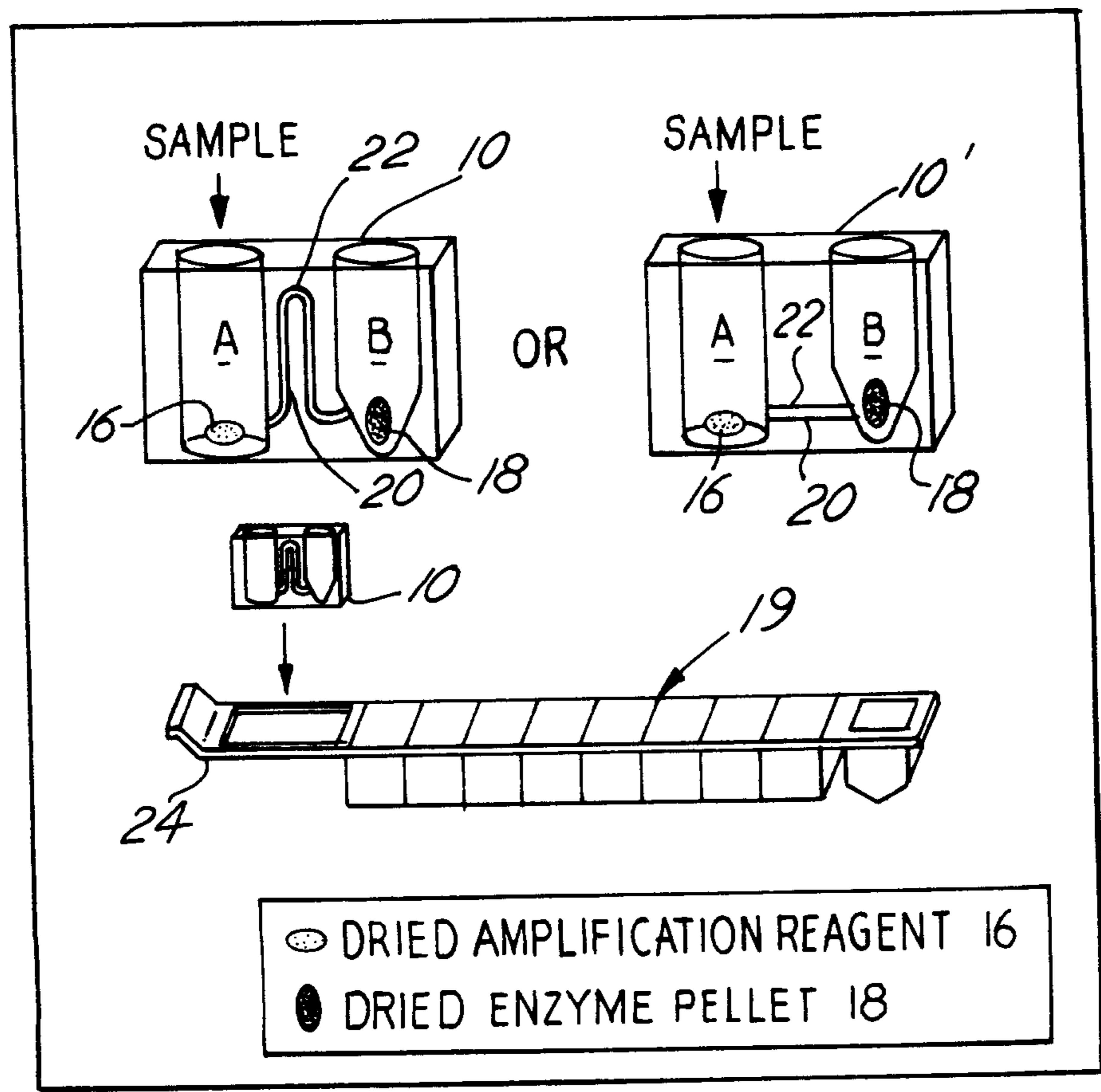


FIG. 3



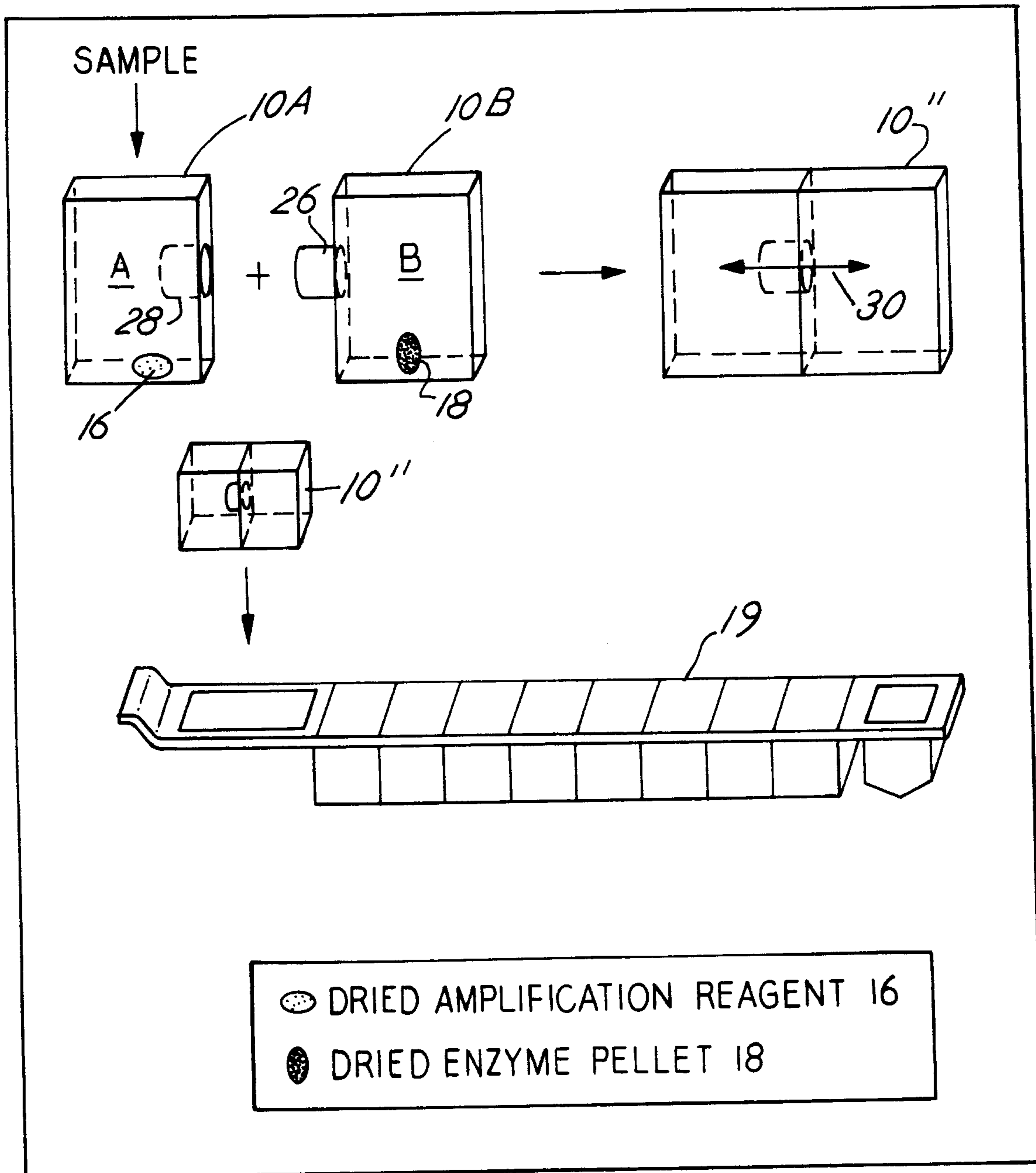
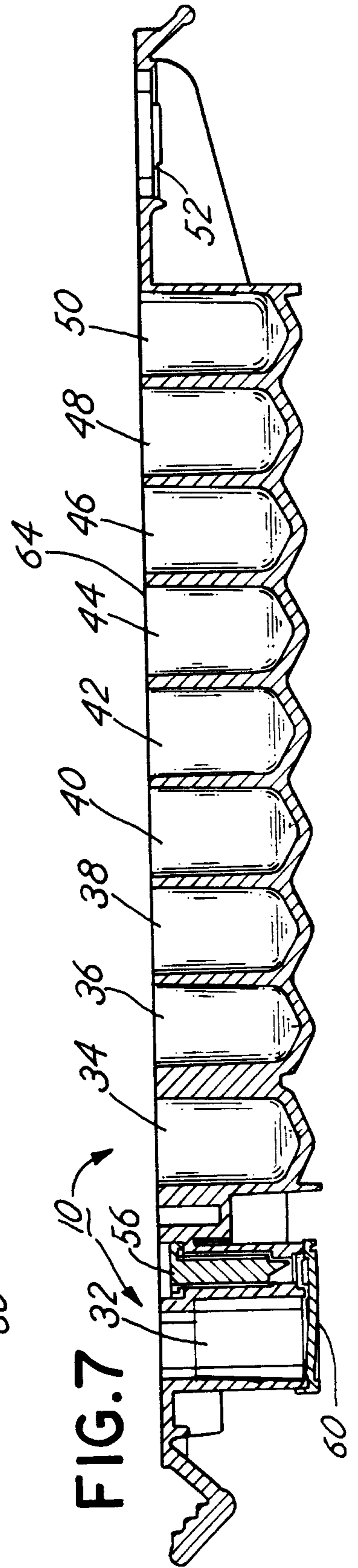
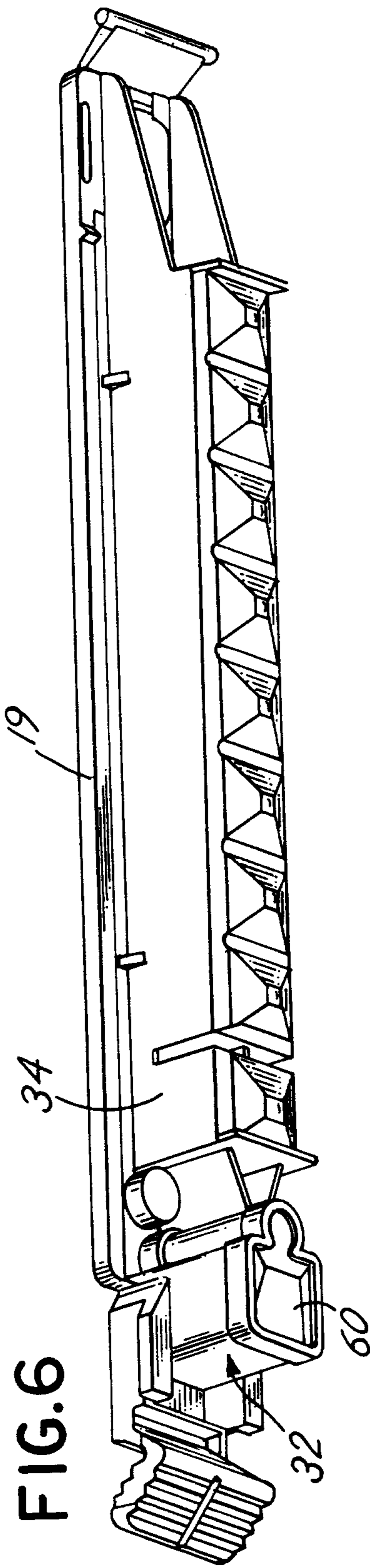
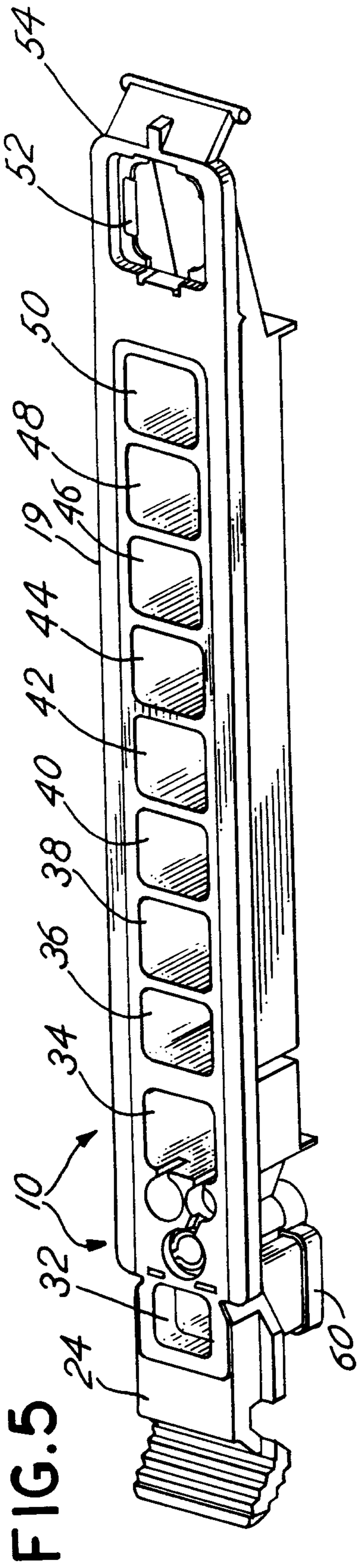
 DRIED AMPLIFICATION REAGENT 16
 DRIED ENZYME PELLETT 18

FIG. 4



**Patent Agents
Smart & Biggar**



Patent Agents
Smart & Biggar

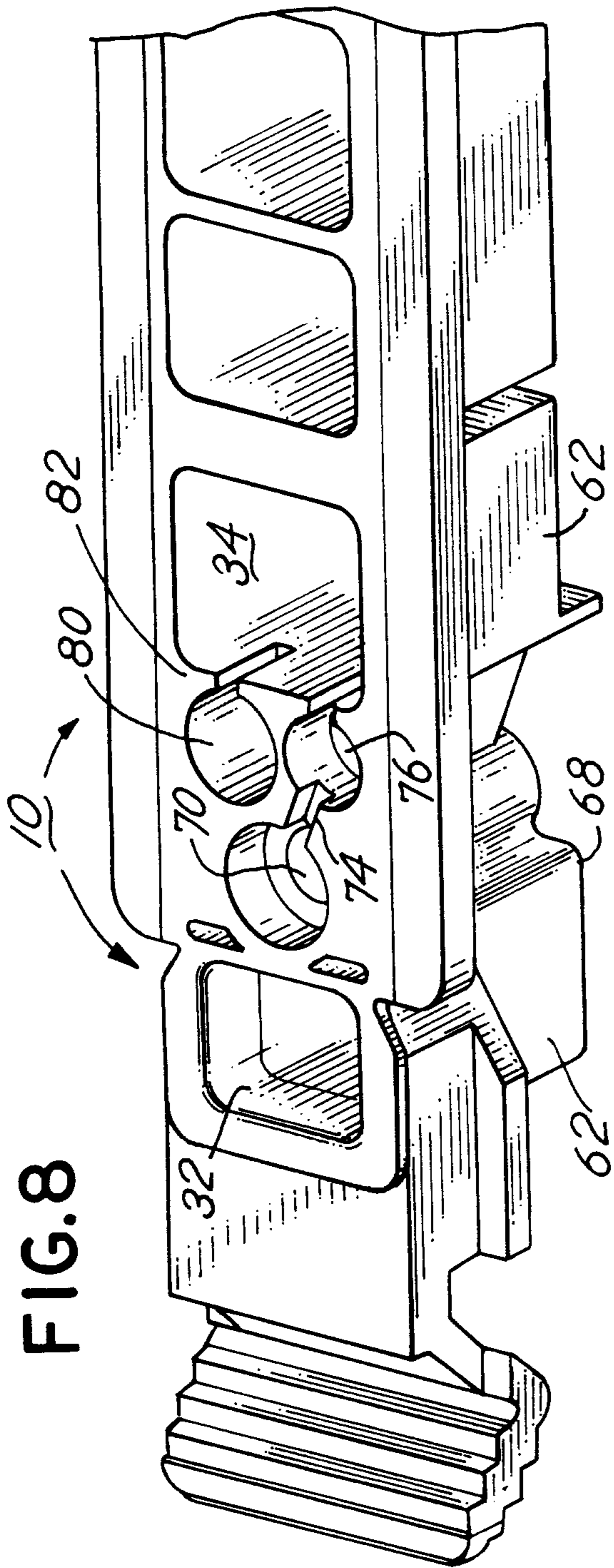


FIG. 8

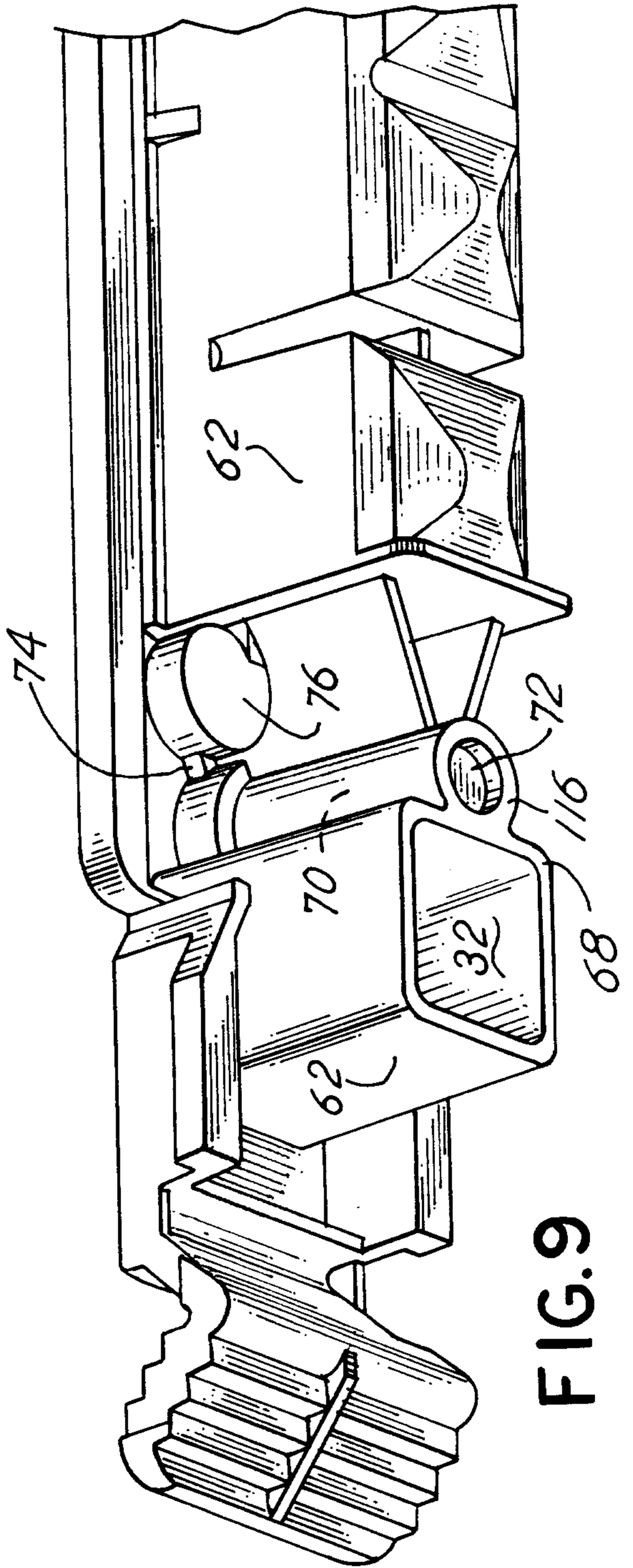


FIG. 9

Patent Agents
Smart & Biggar

FIG.10

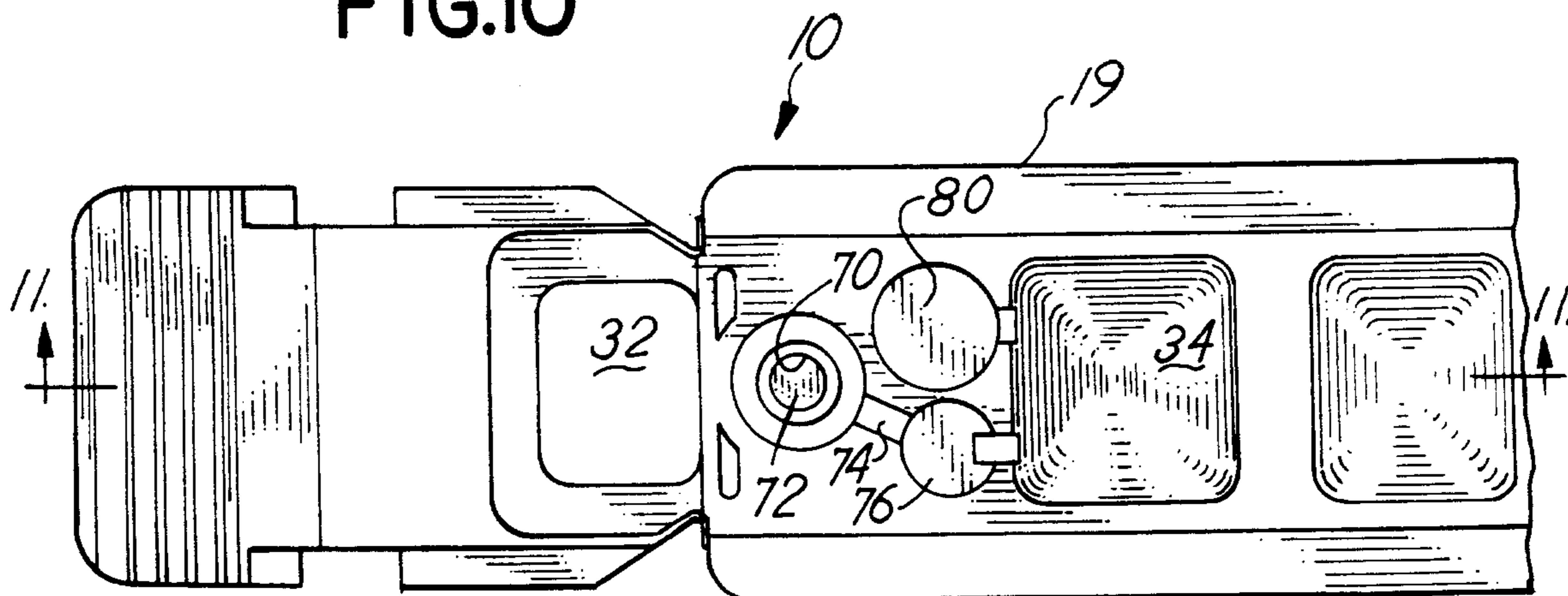


FIG.11

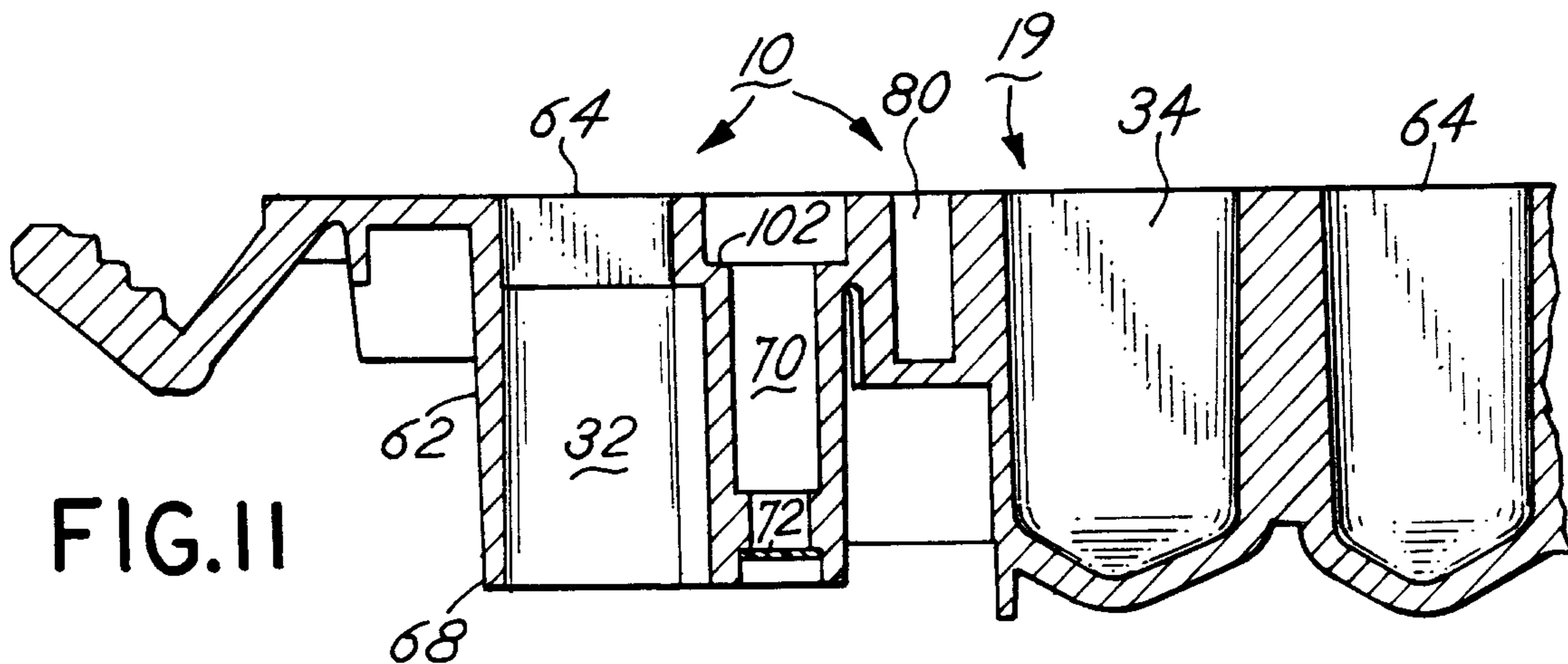


FIG.12

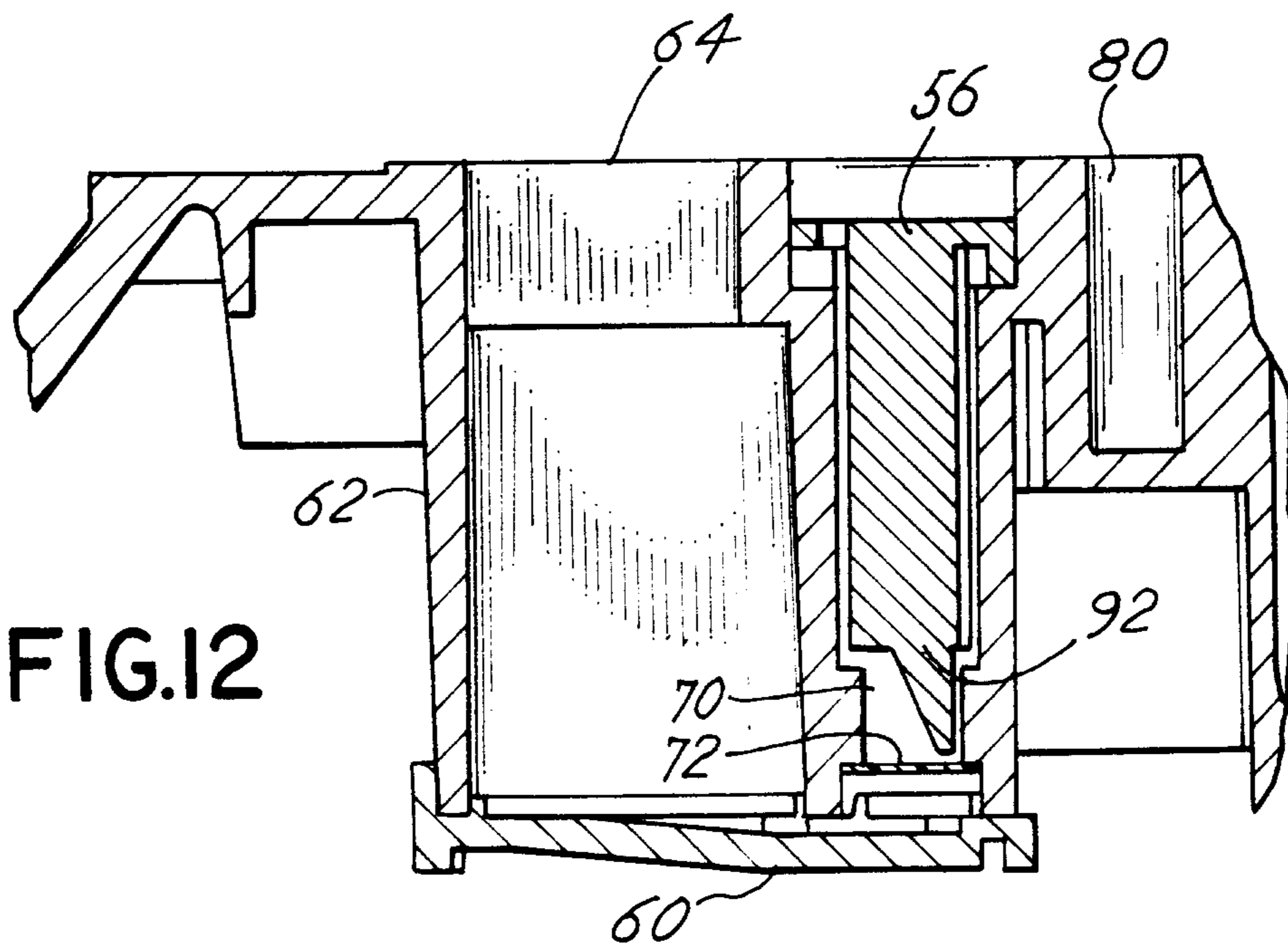


FIG.13

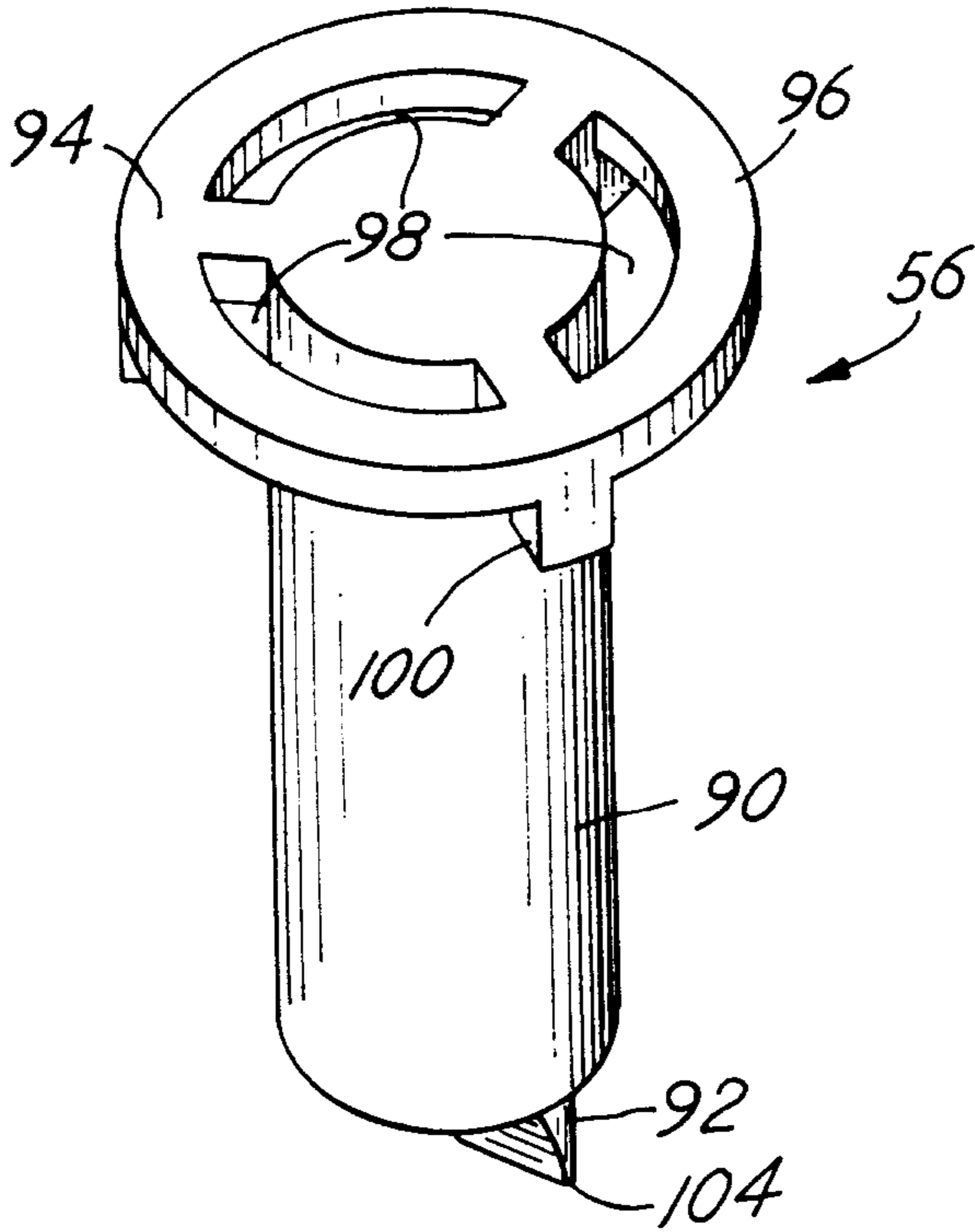


FIG.14

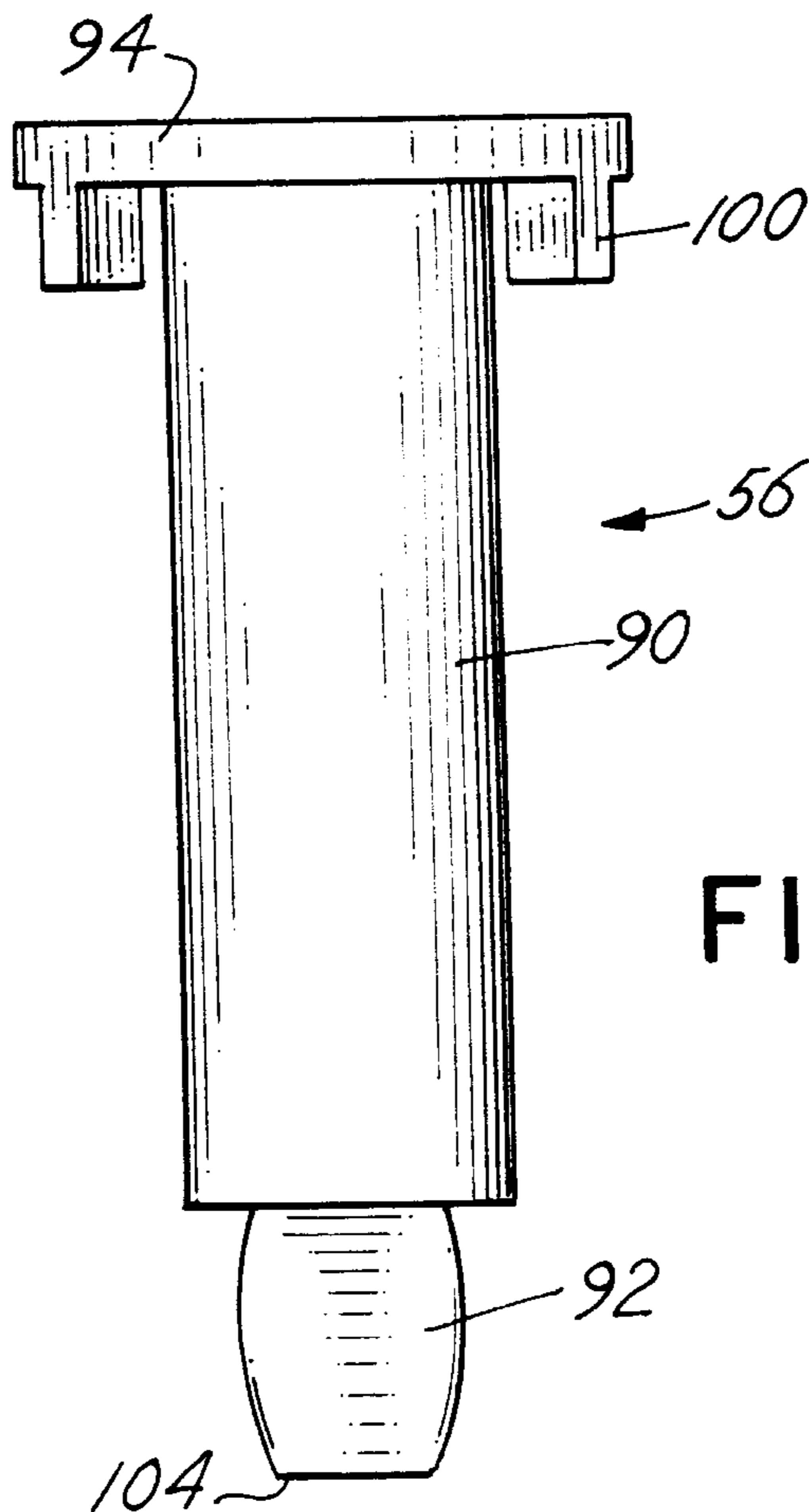
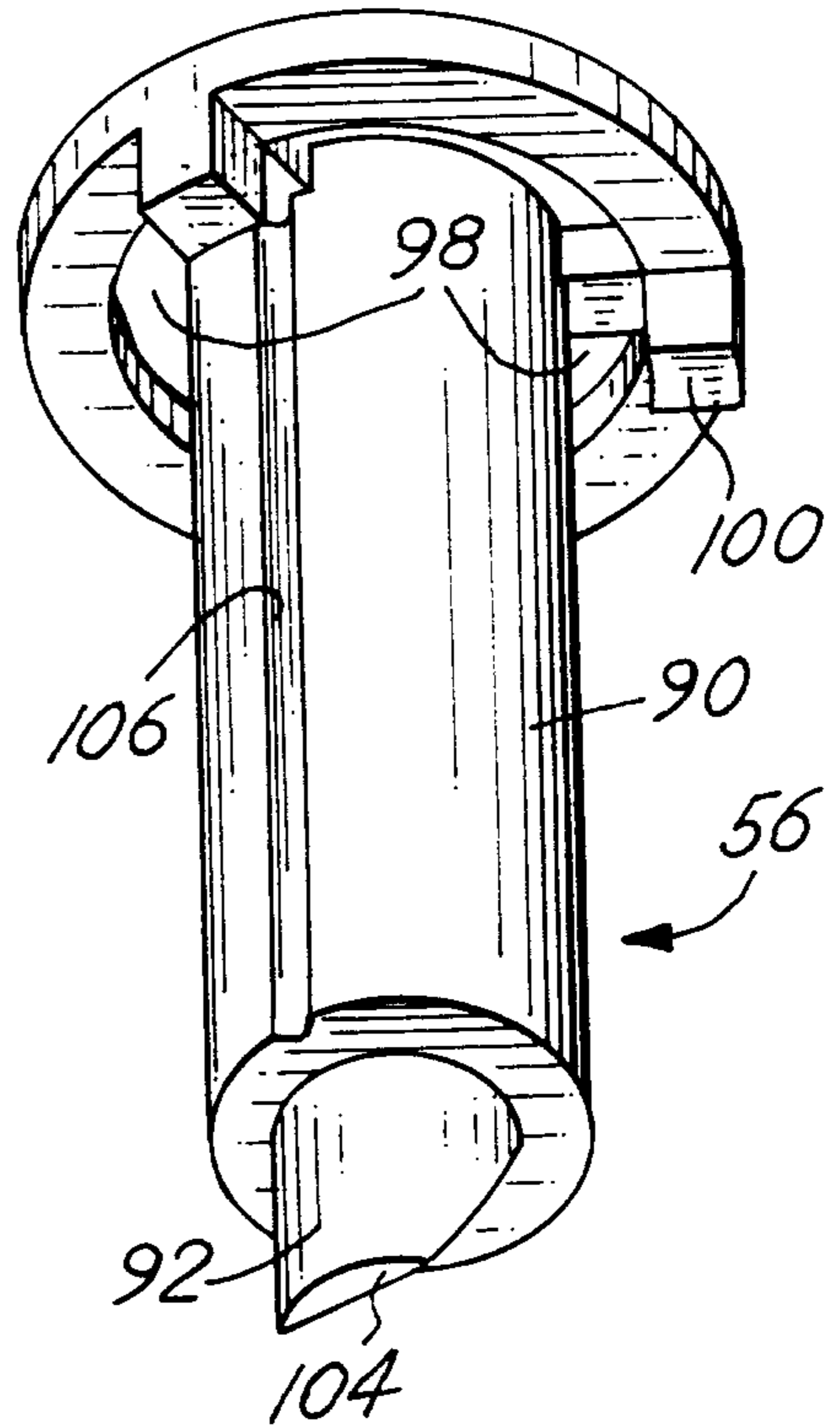


FIG.15

Patent Agents
Smart & Biggar

FIG.16

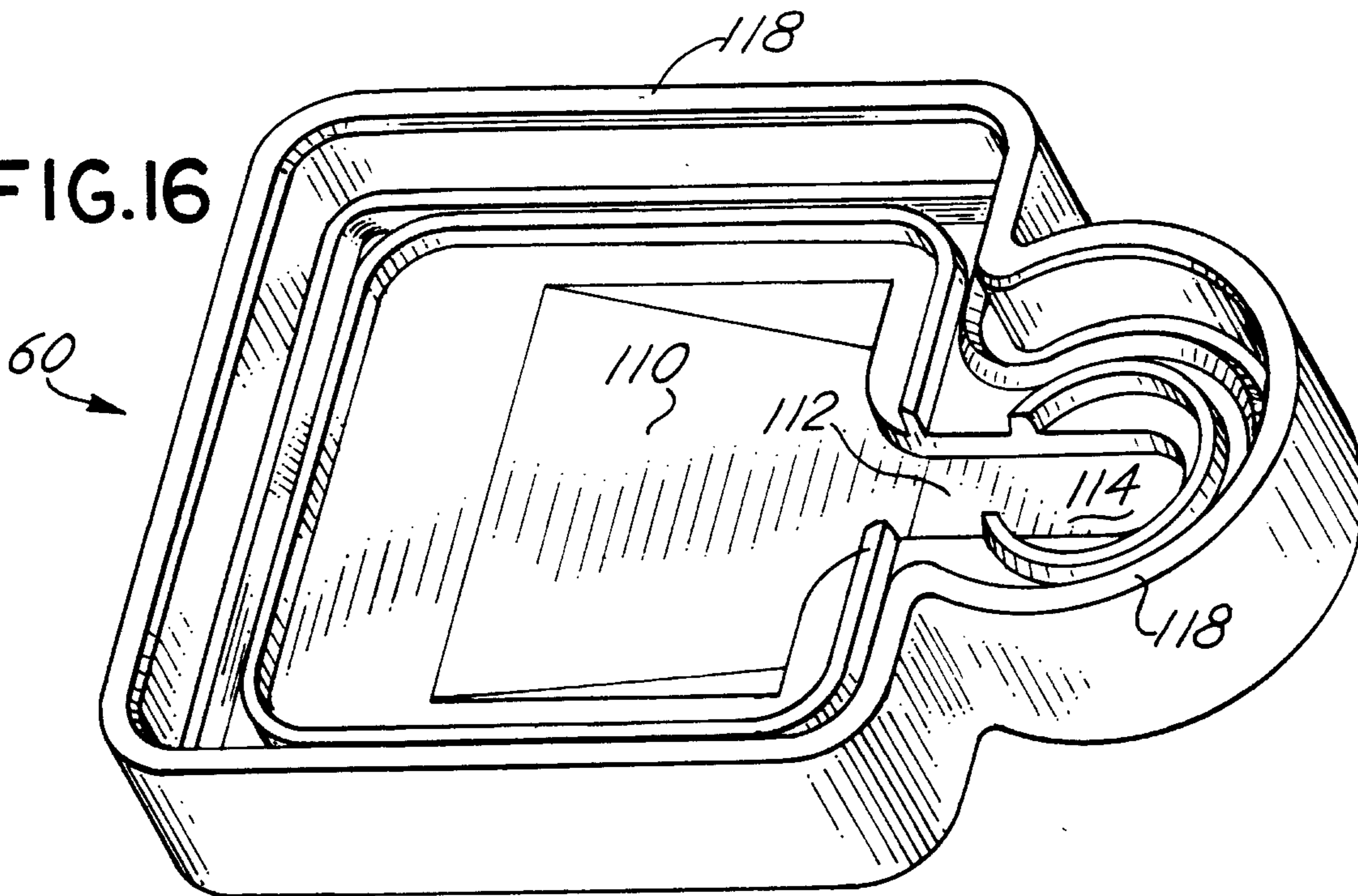


FIG.17

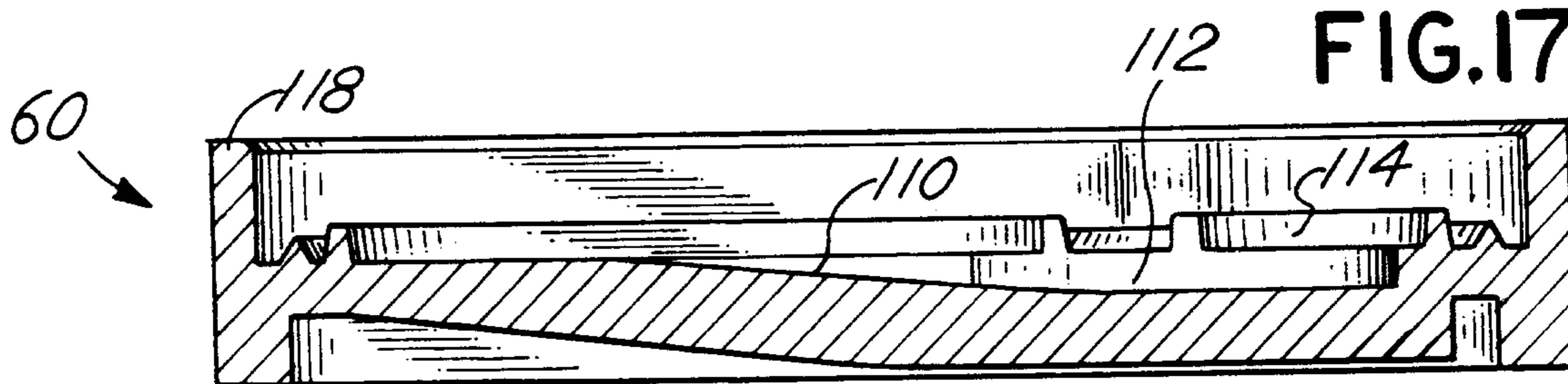


FIG.18

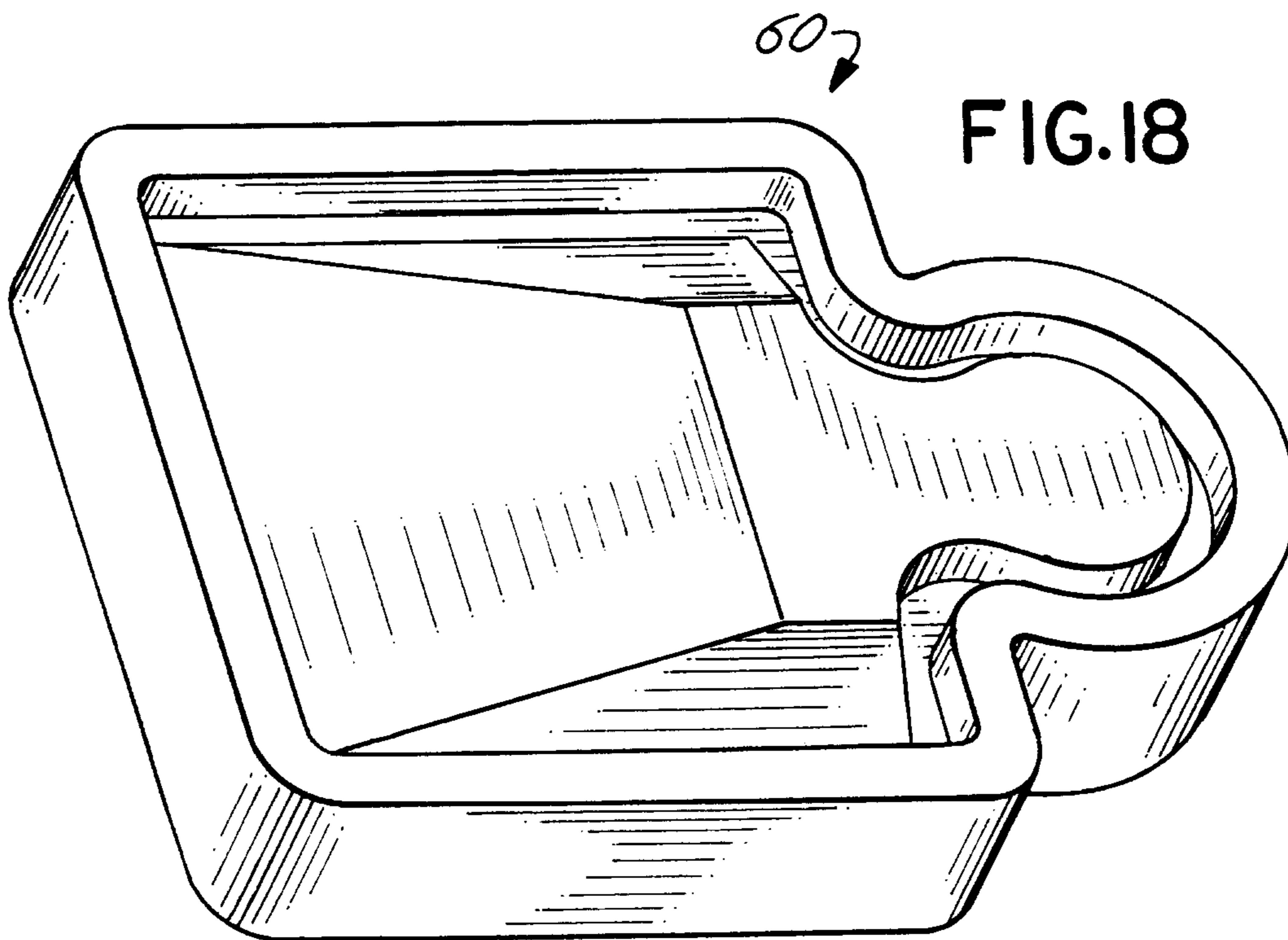


FIG.19

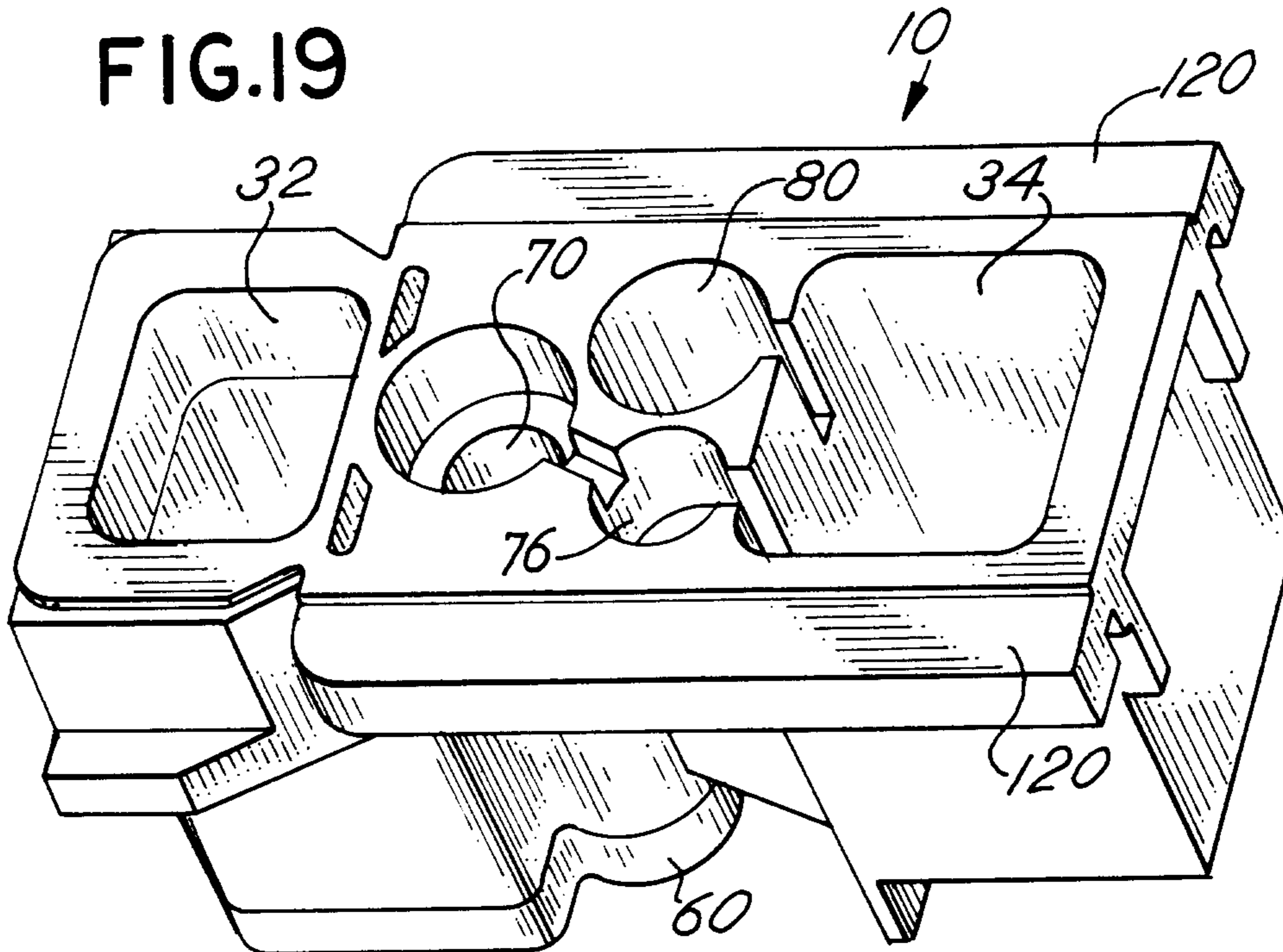
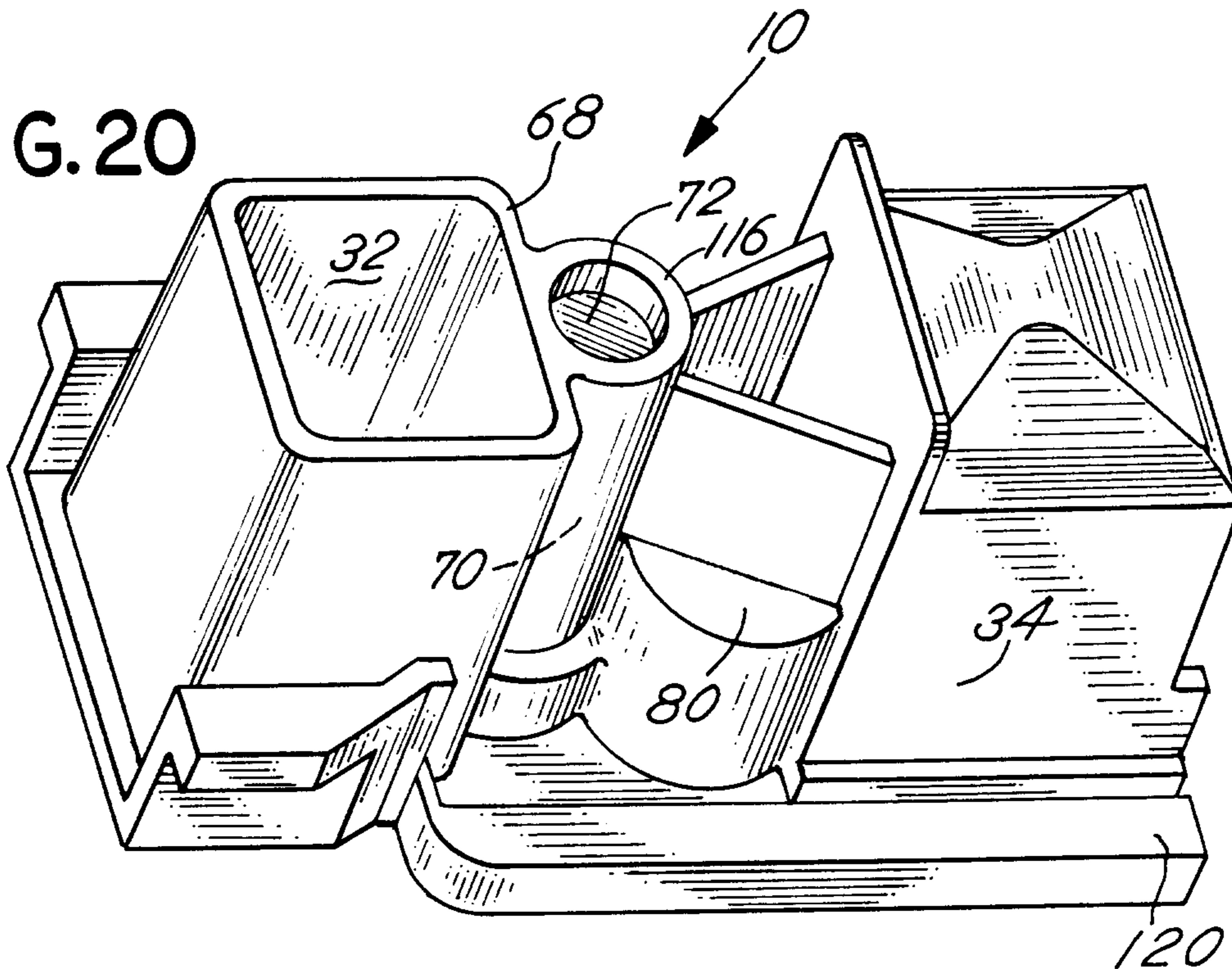


FIG.20



Patent Agents
Smart & Biggar

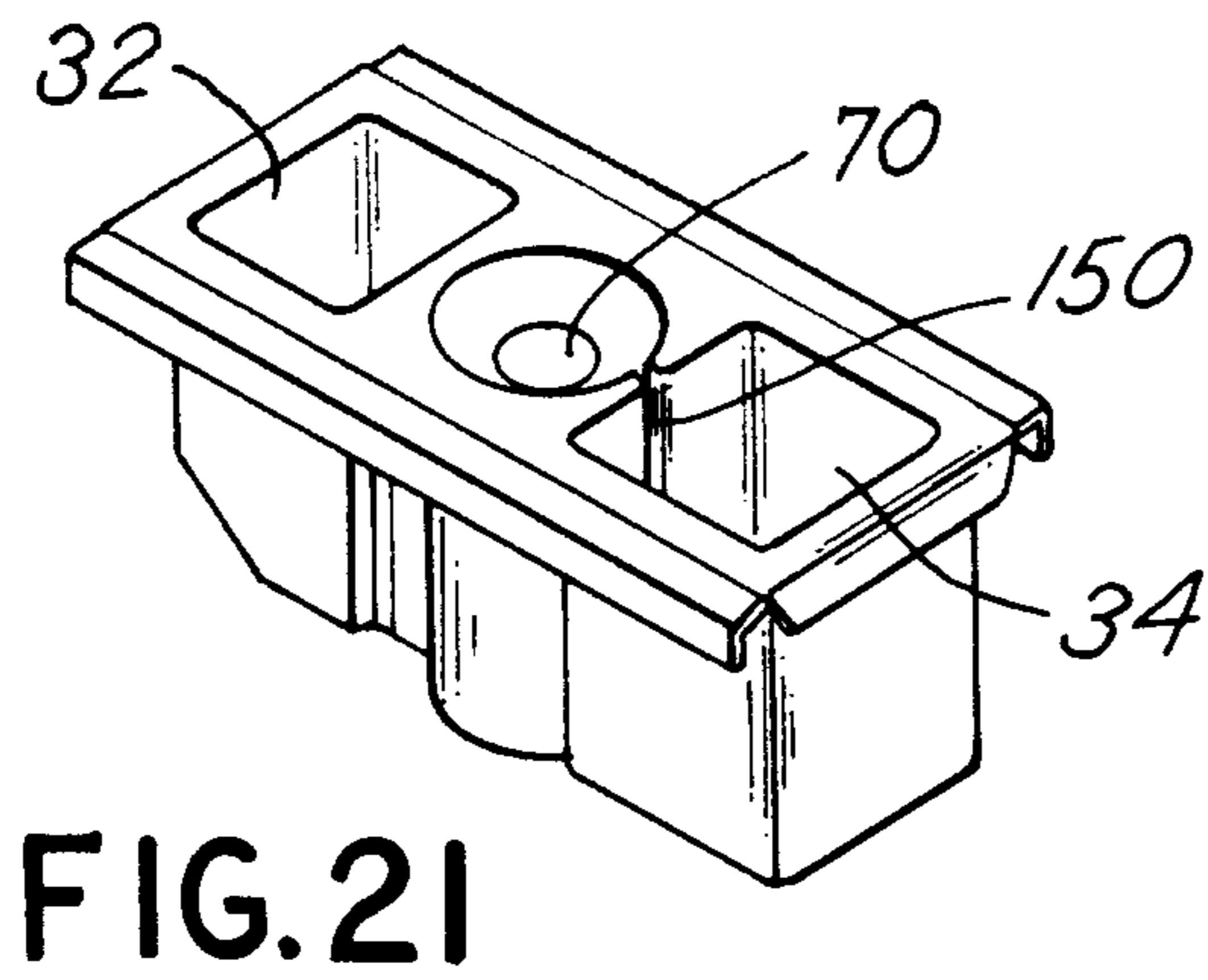


FIG. 21

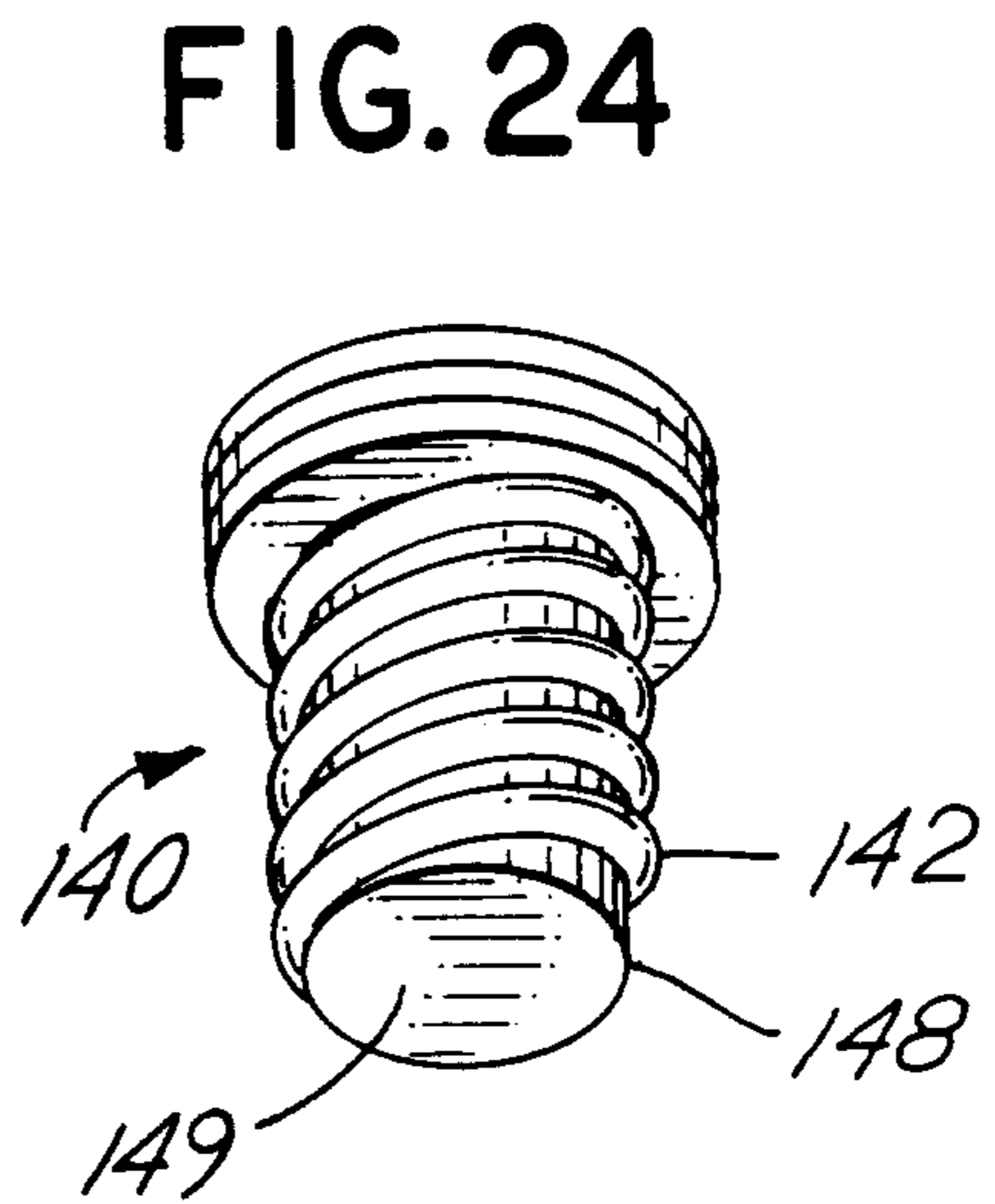


FIG. 24

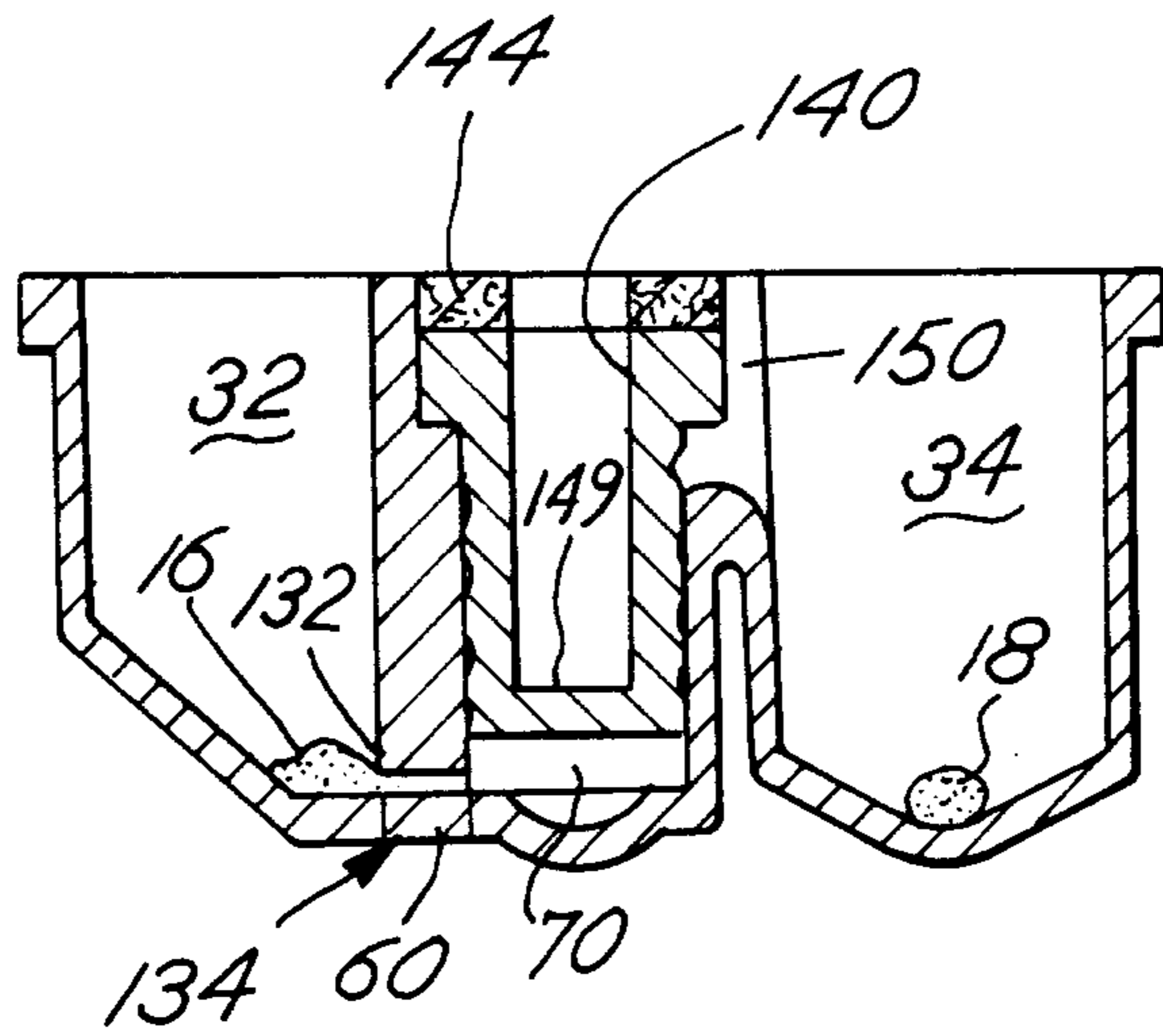


FIG. 22

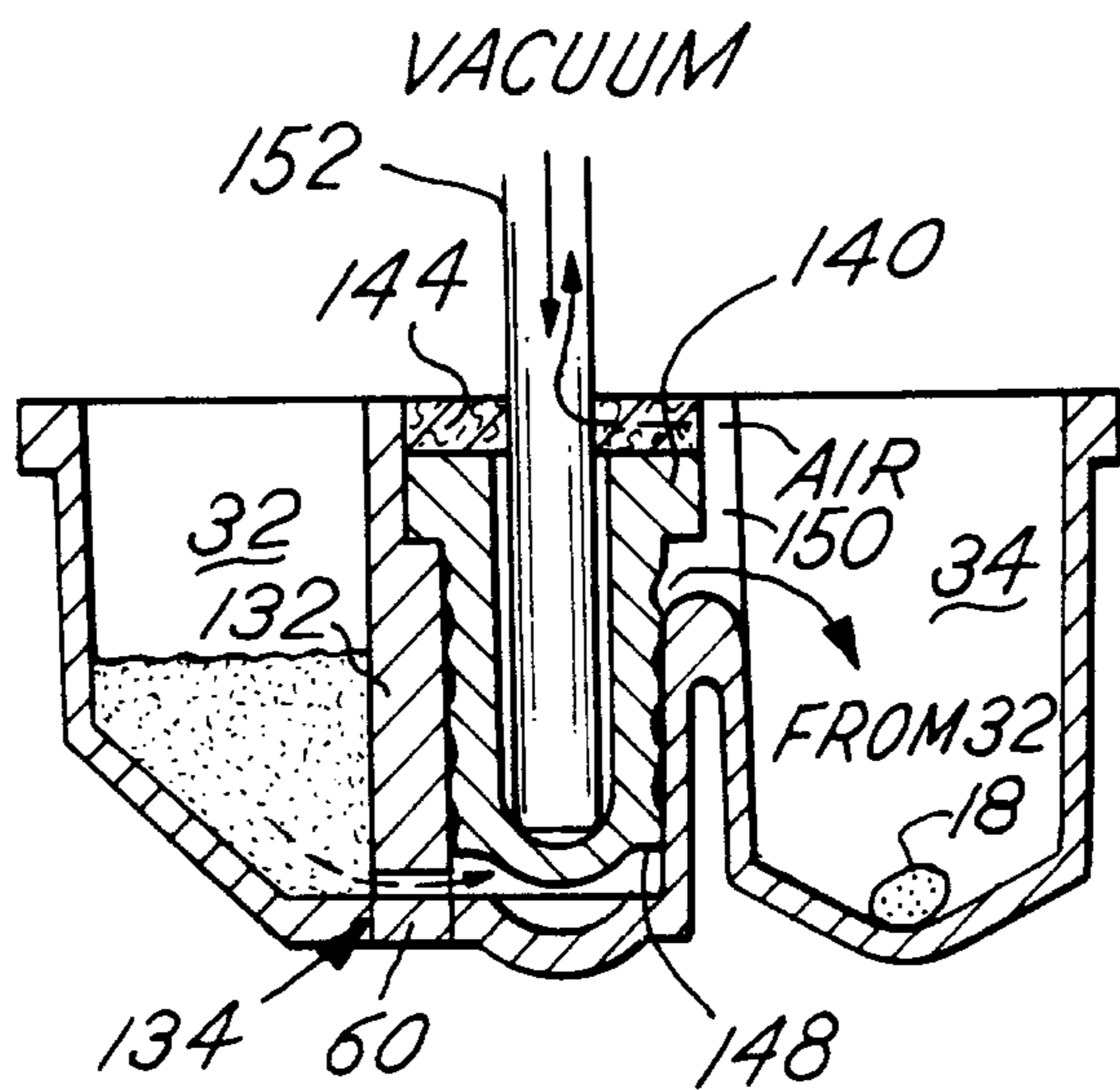
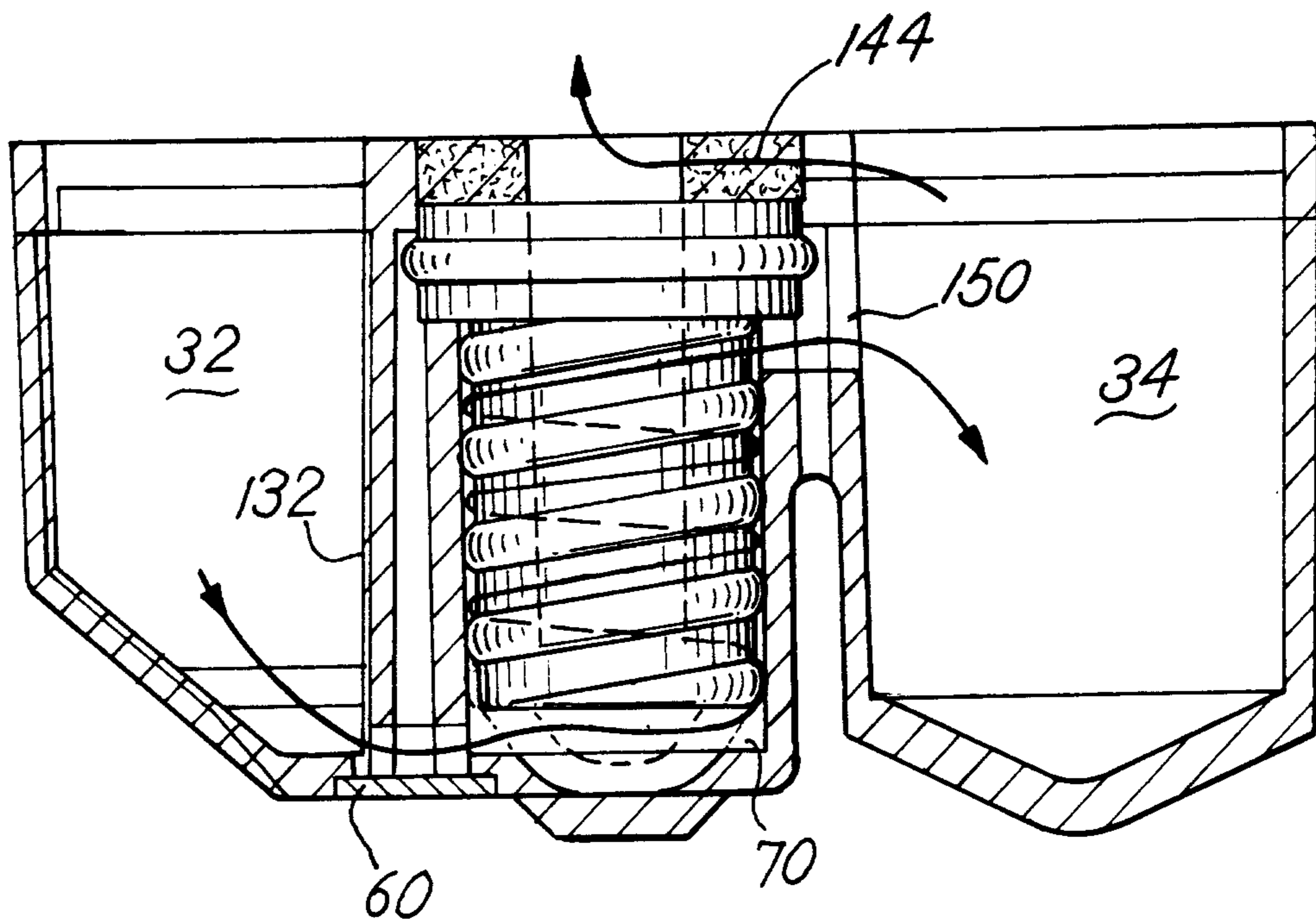


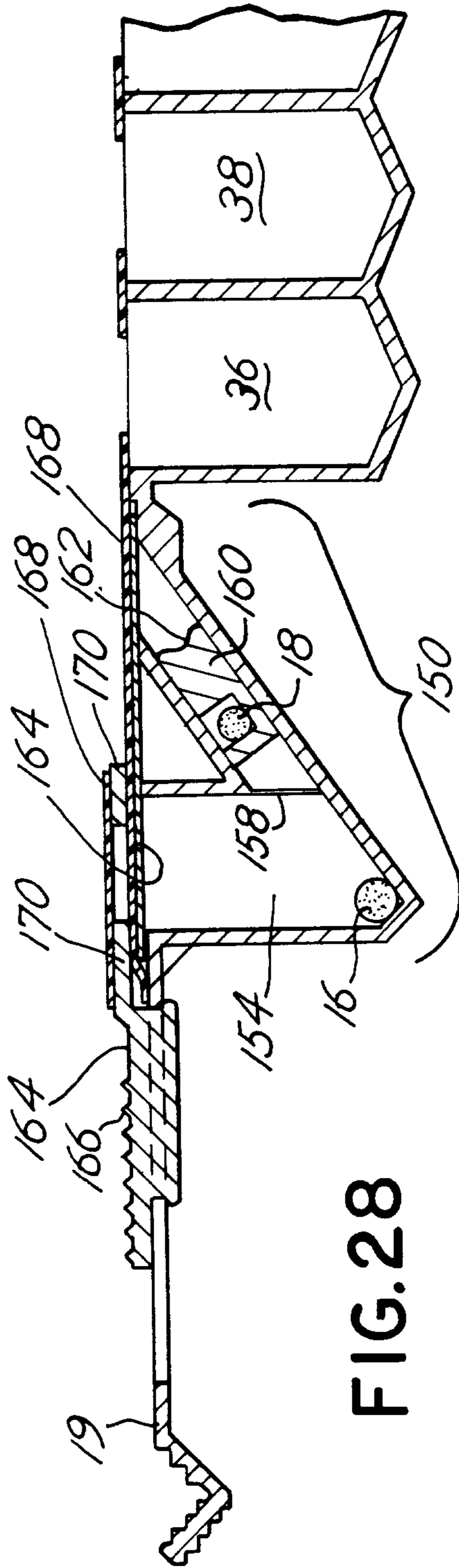
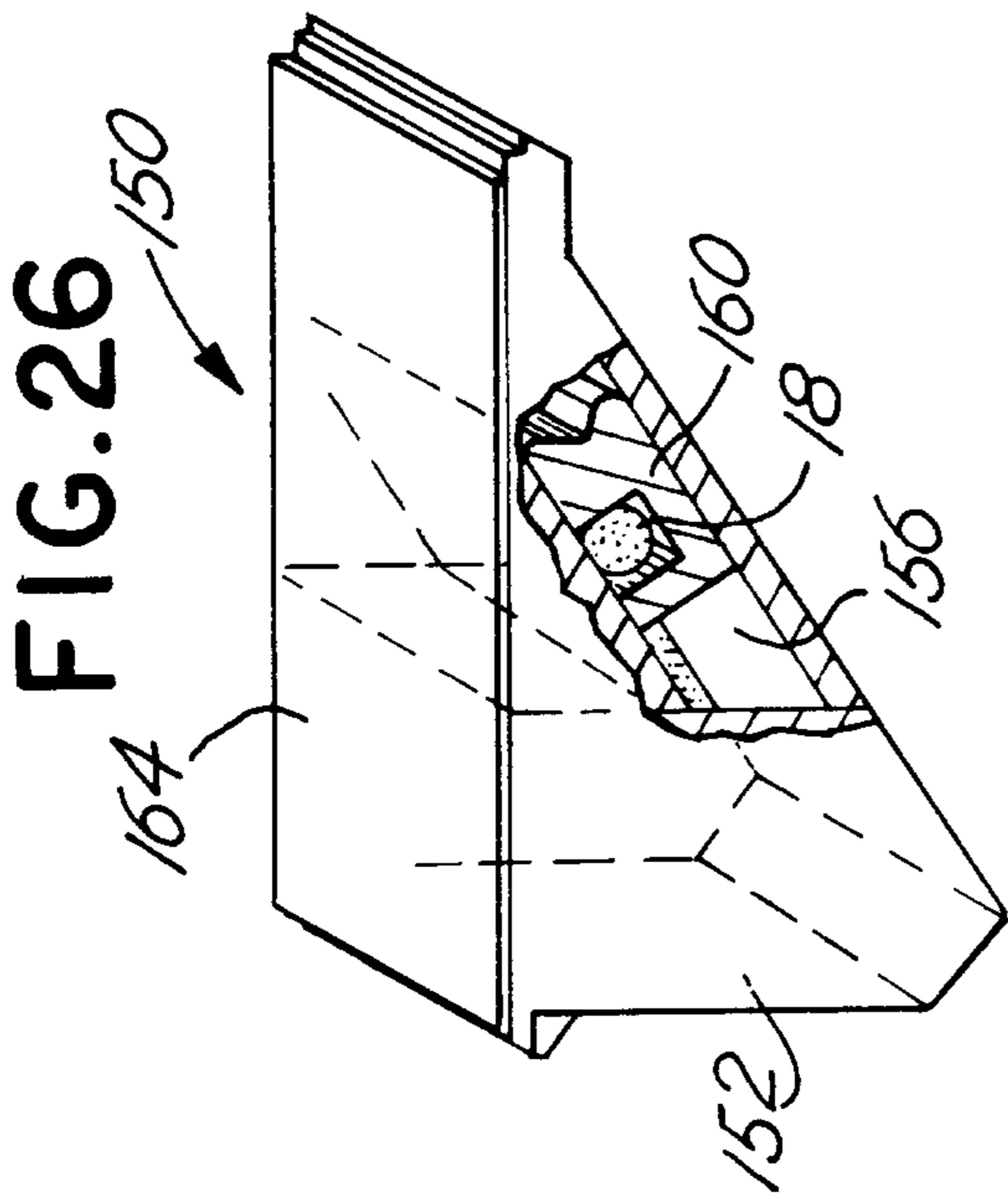
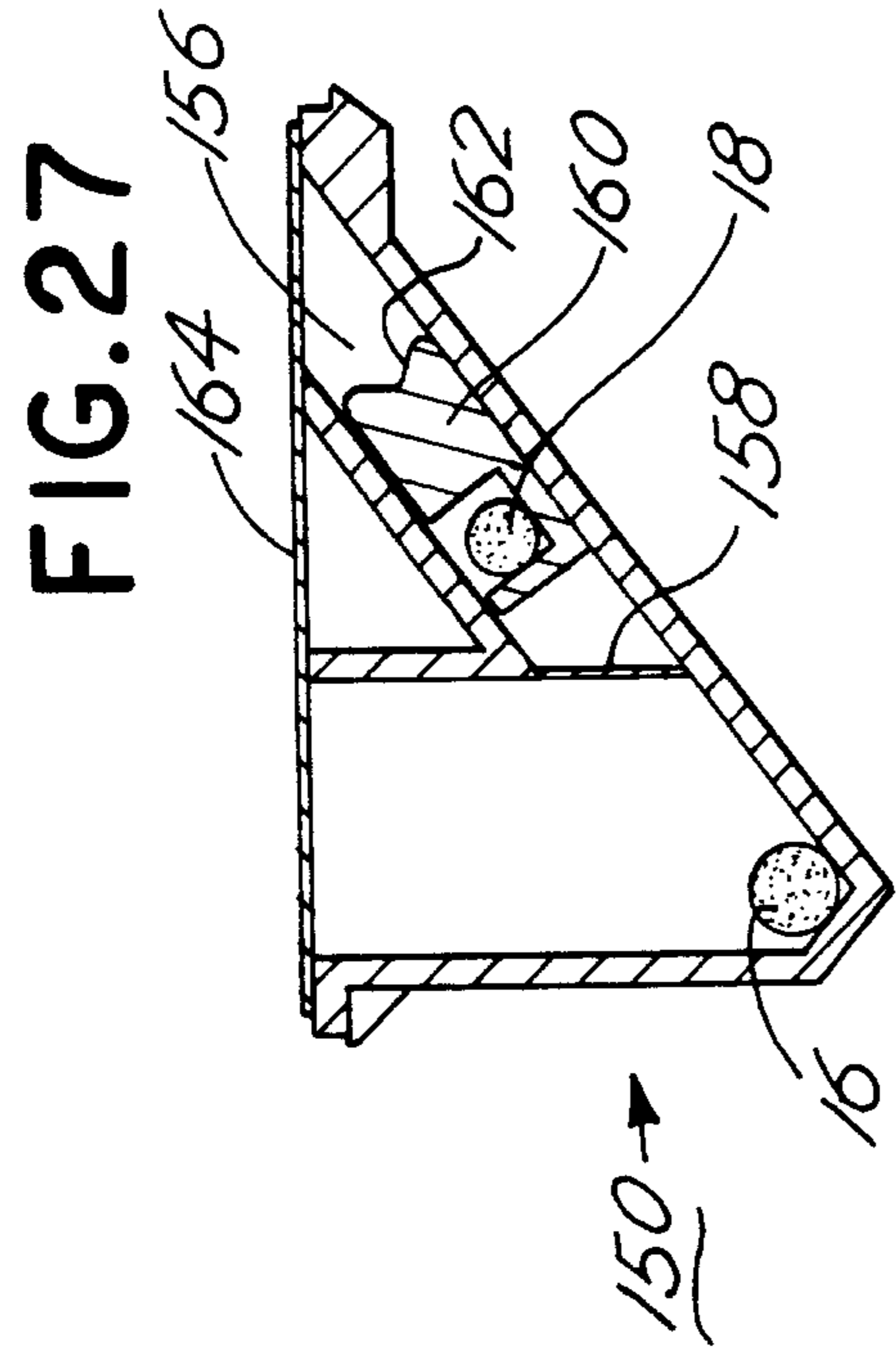
FIG. 23

Patent Agents
Smart & Biggar

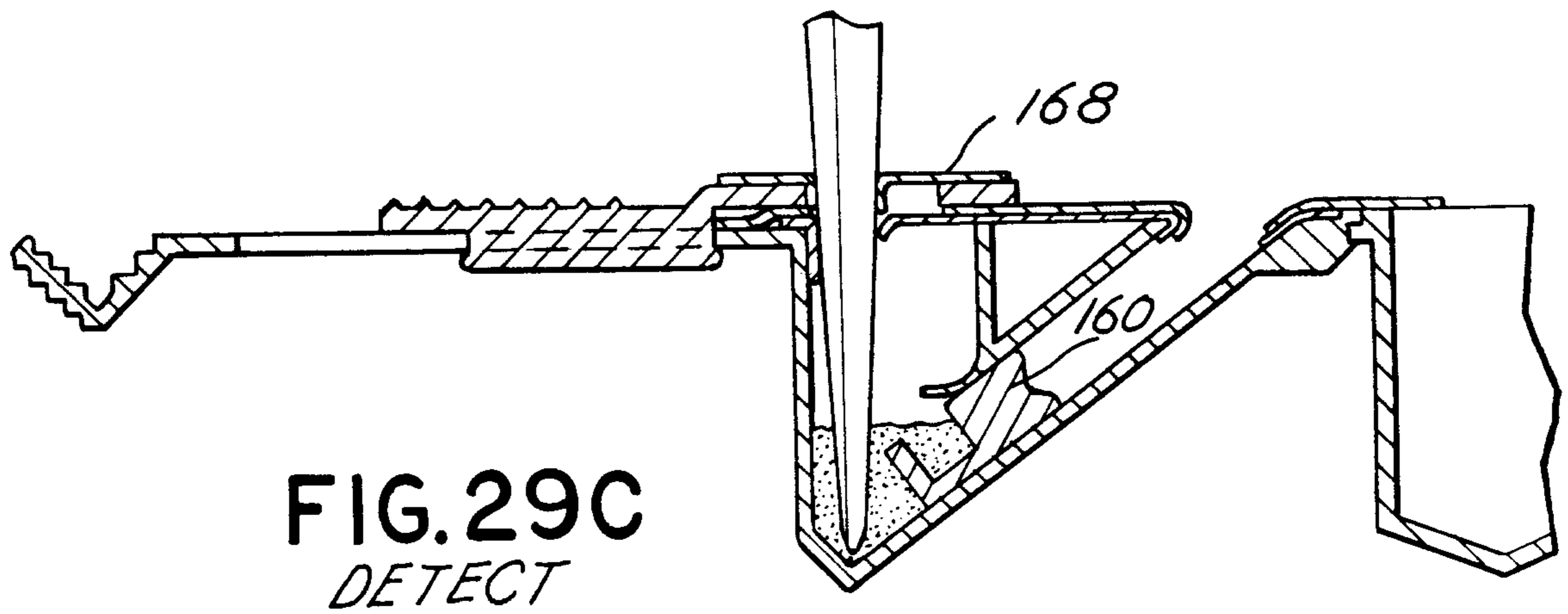
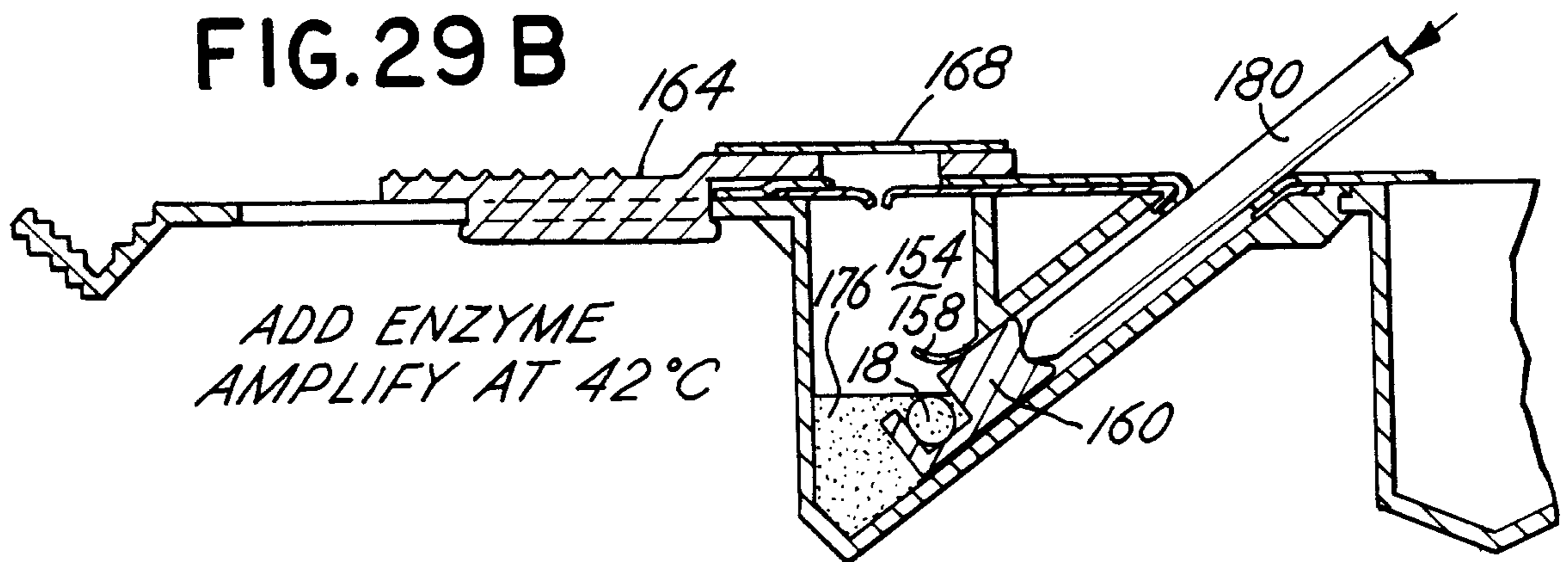
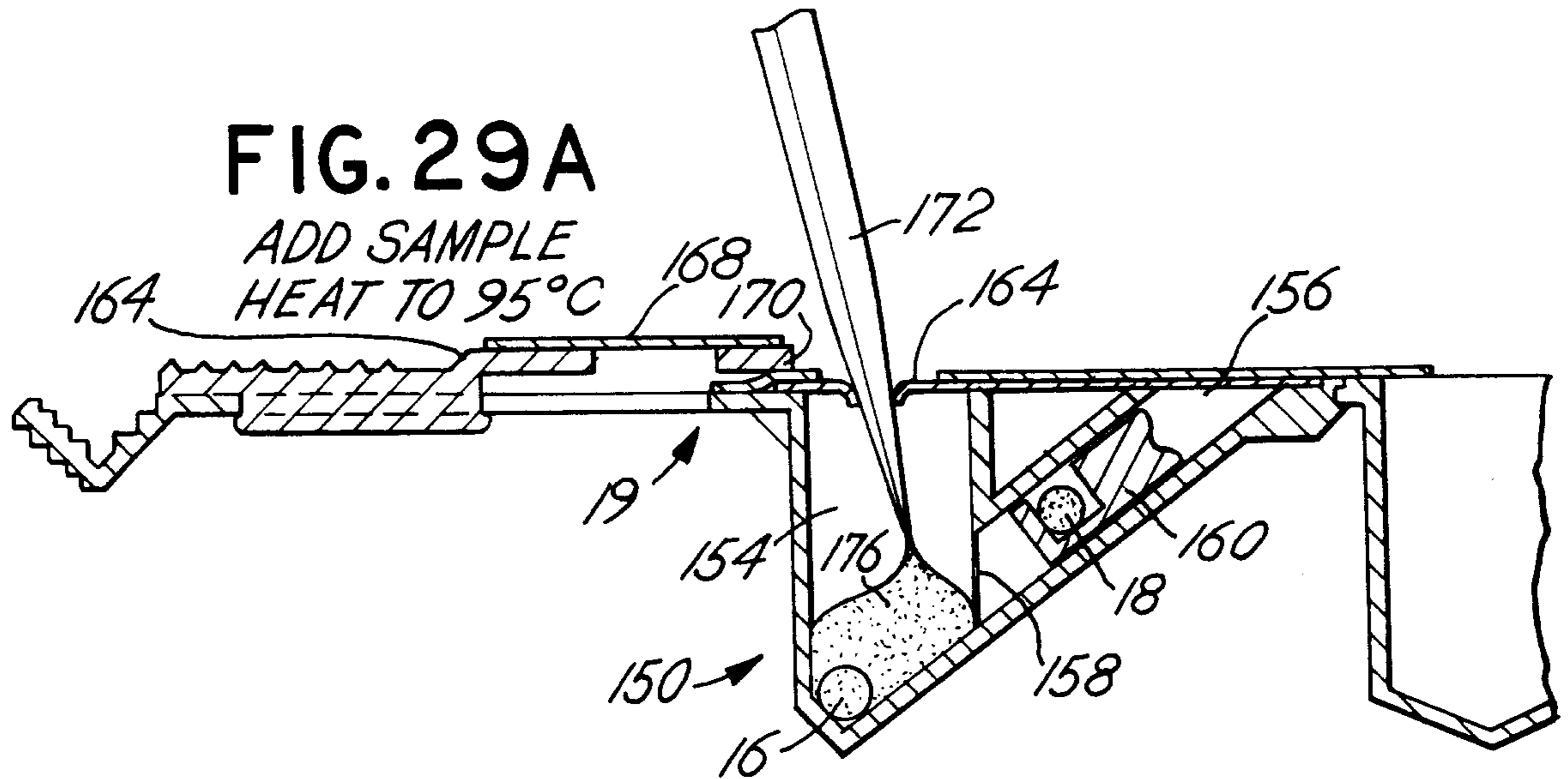
FIG.25



Patent Agents
Smart & Biggar

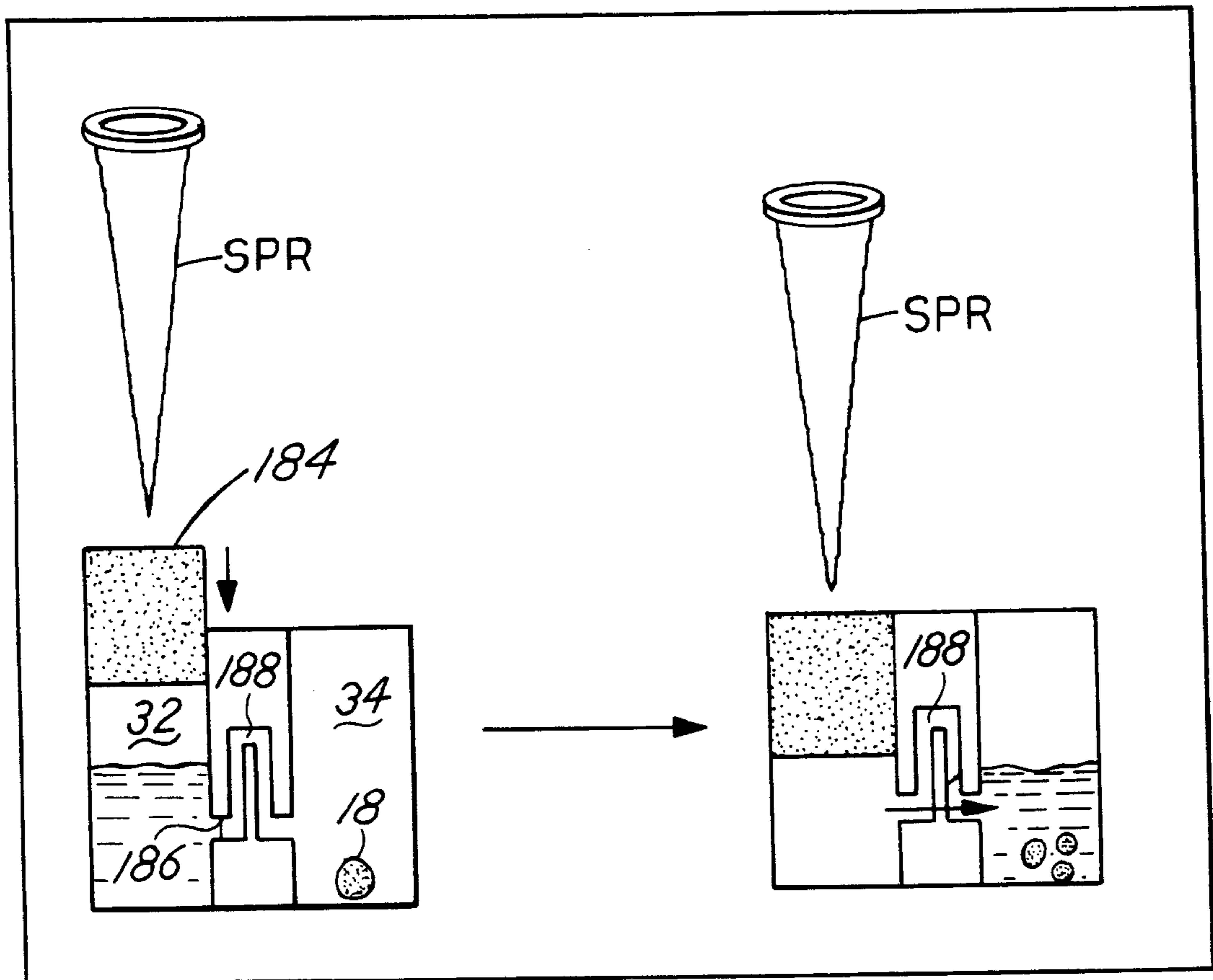


Patent Agents
Smart & Biggar



Patent Agents
Smart & Biggar

FIG.30



Patent Agents
Smart & Biggar

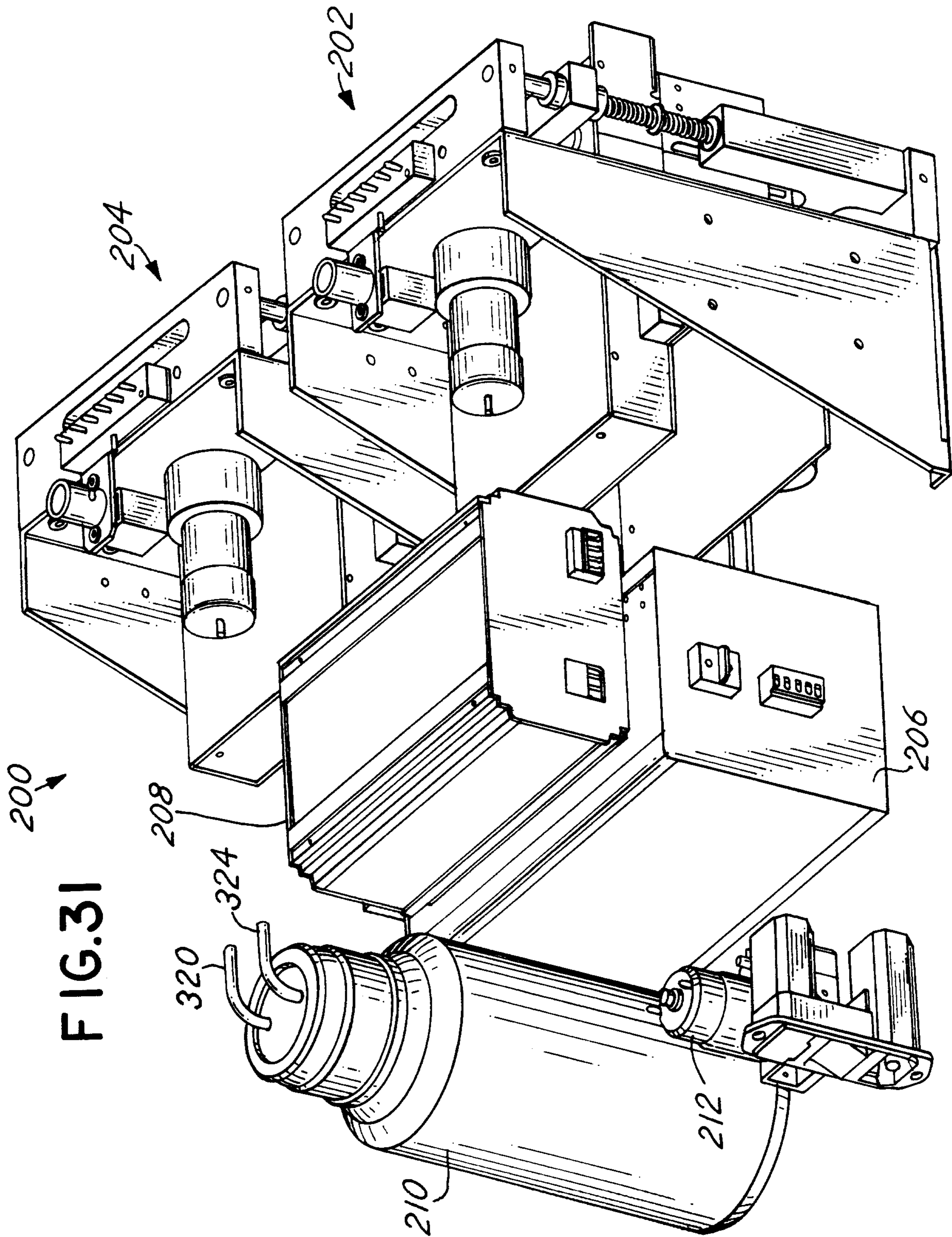
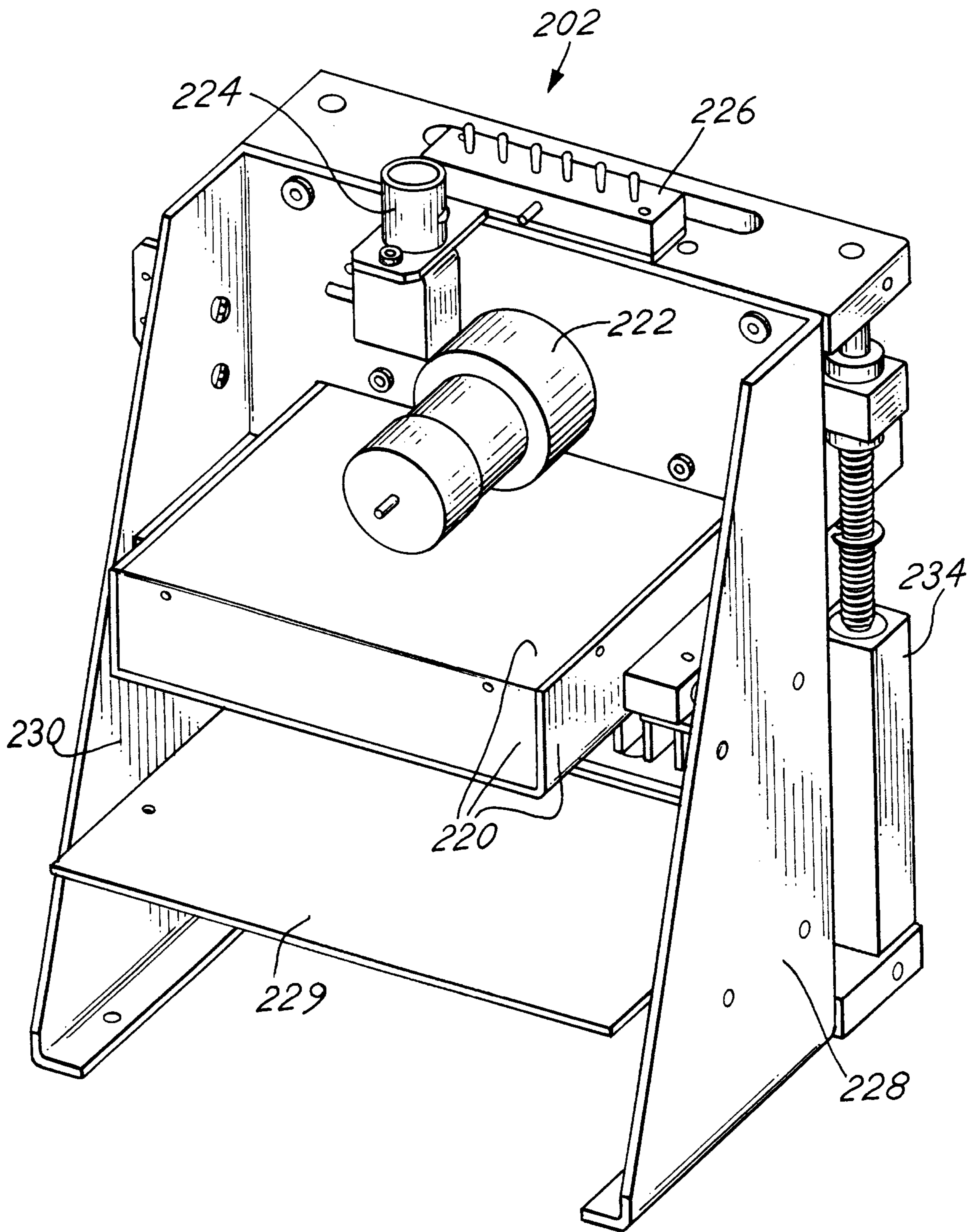


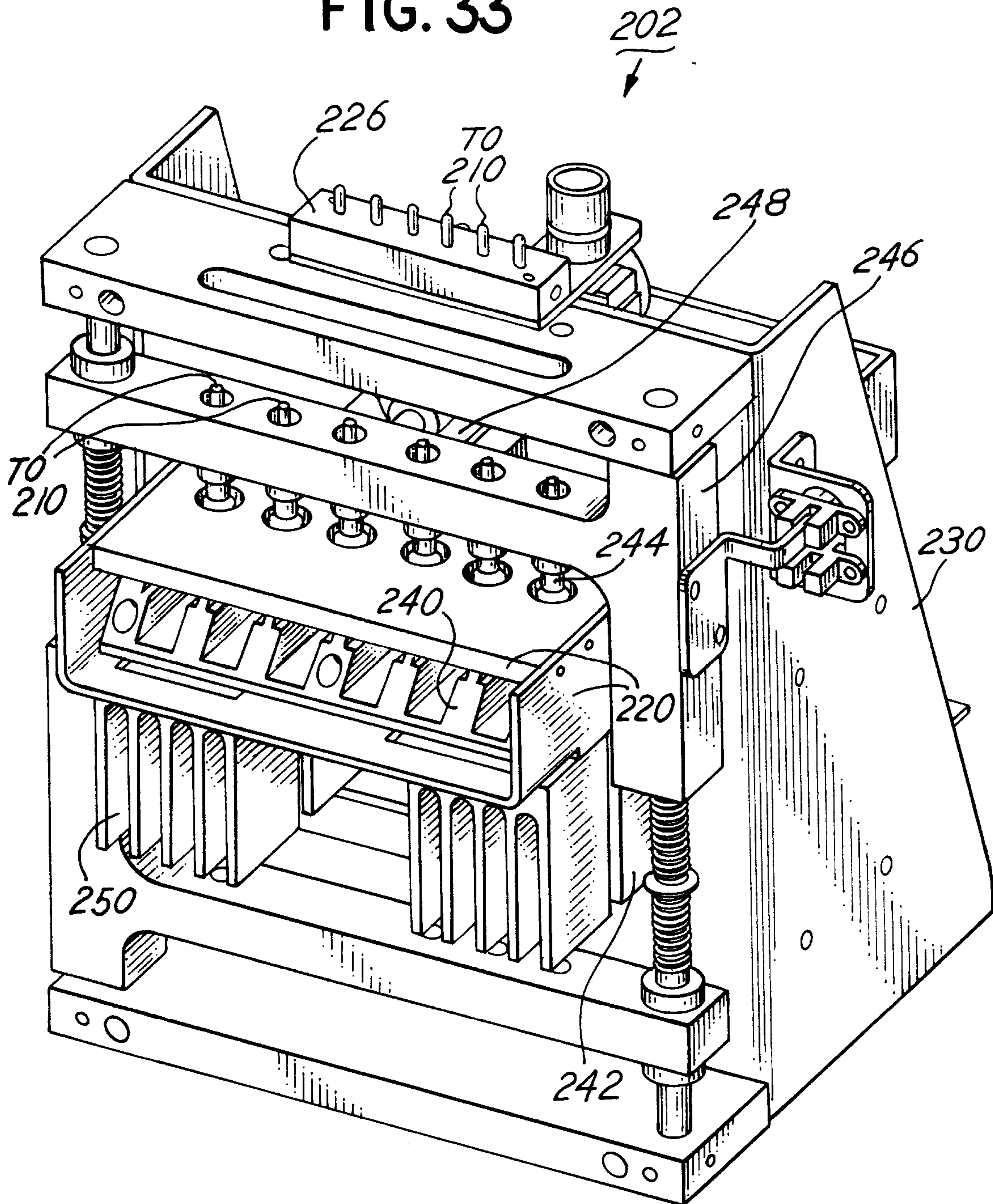
FIG. 31

FIG.32



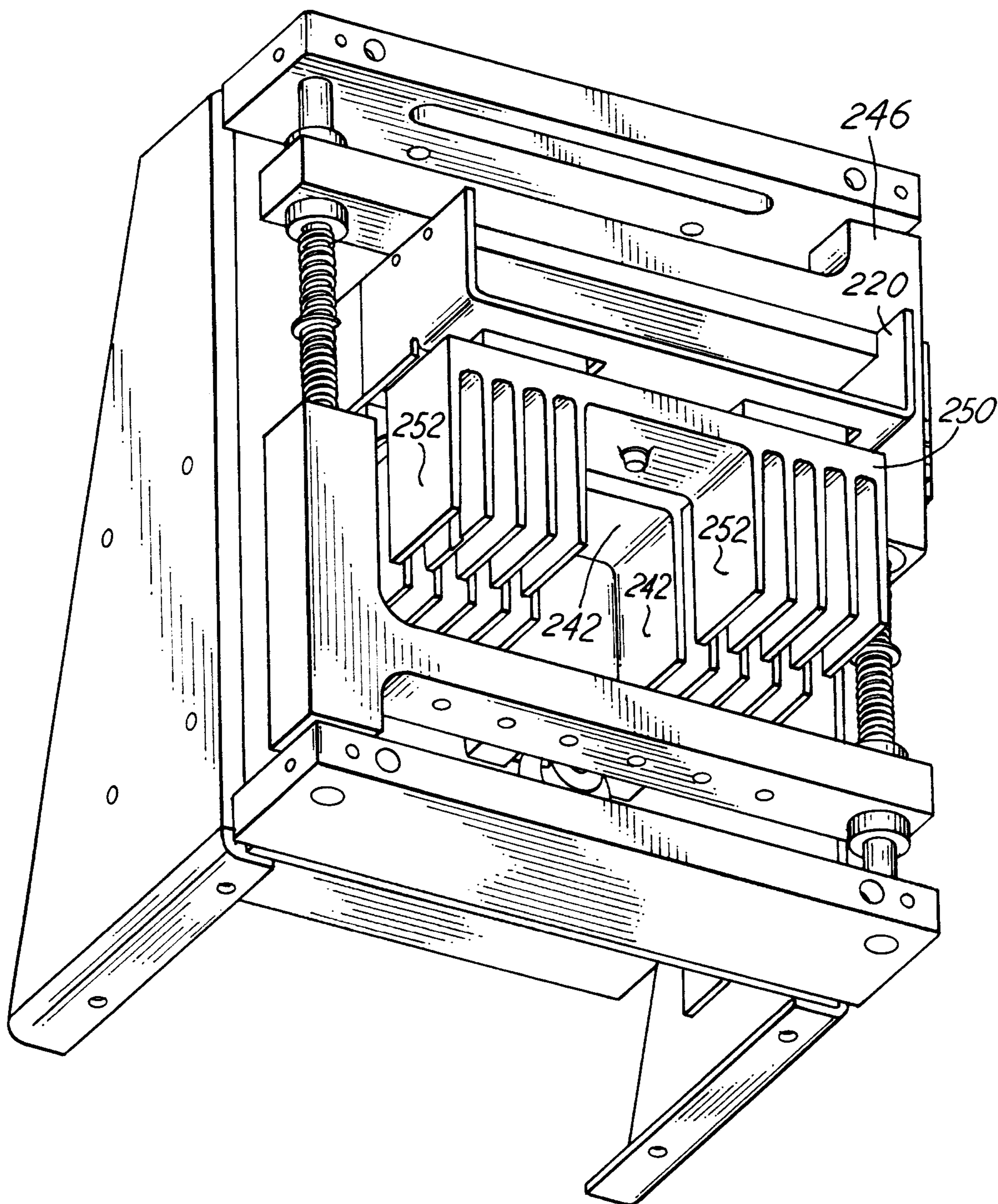
Patent Agents
Smart & Biggar

FIG. 33



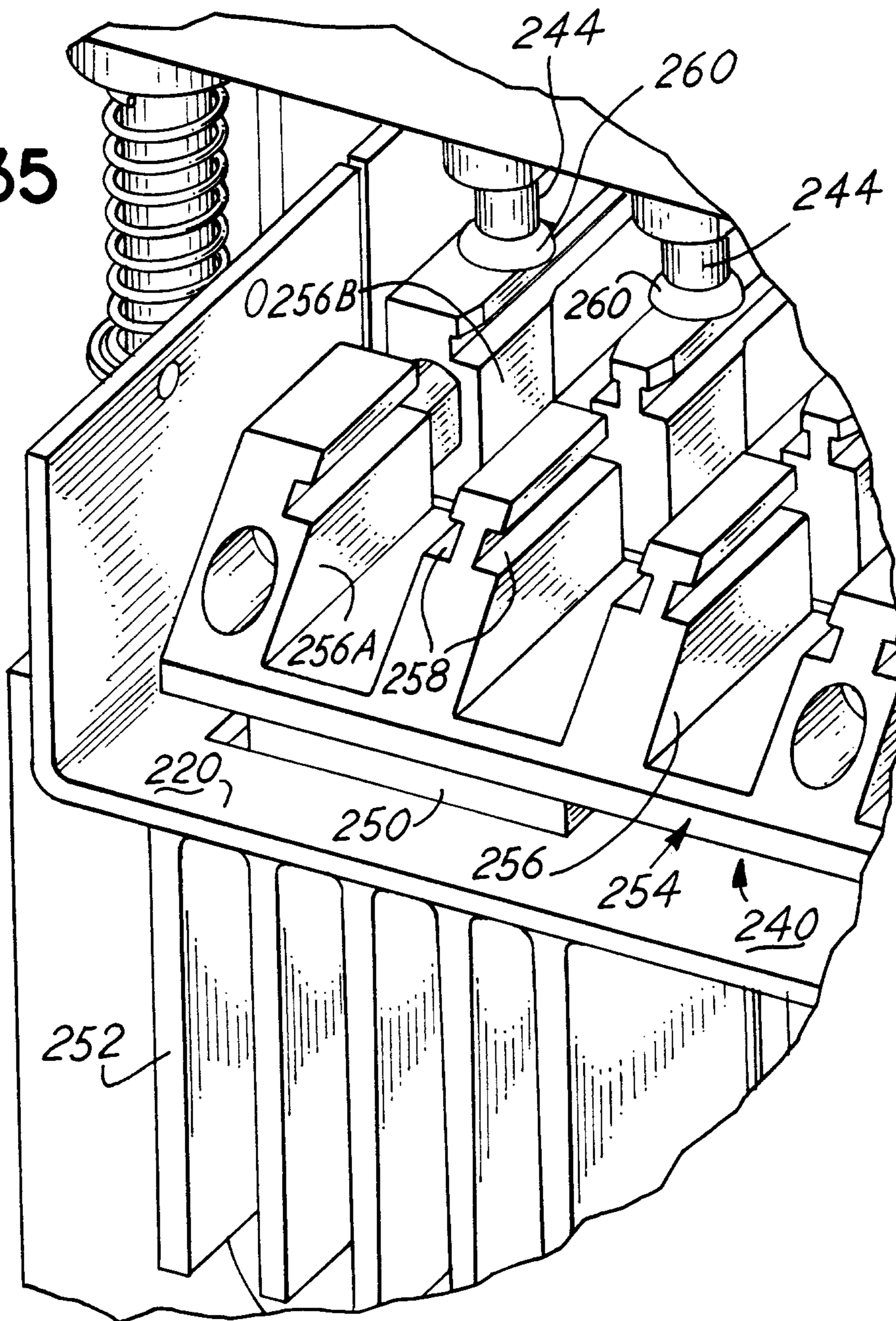
Patent Agents
Smart & Biggar

FIG.34



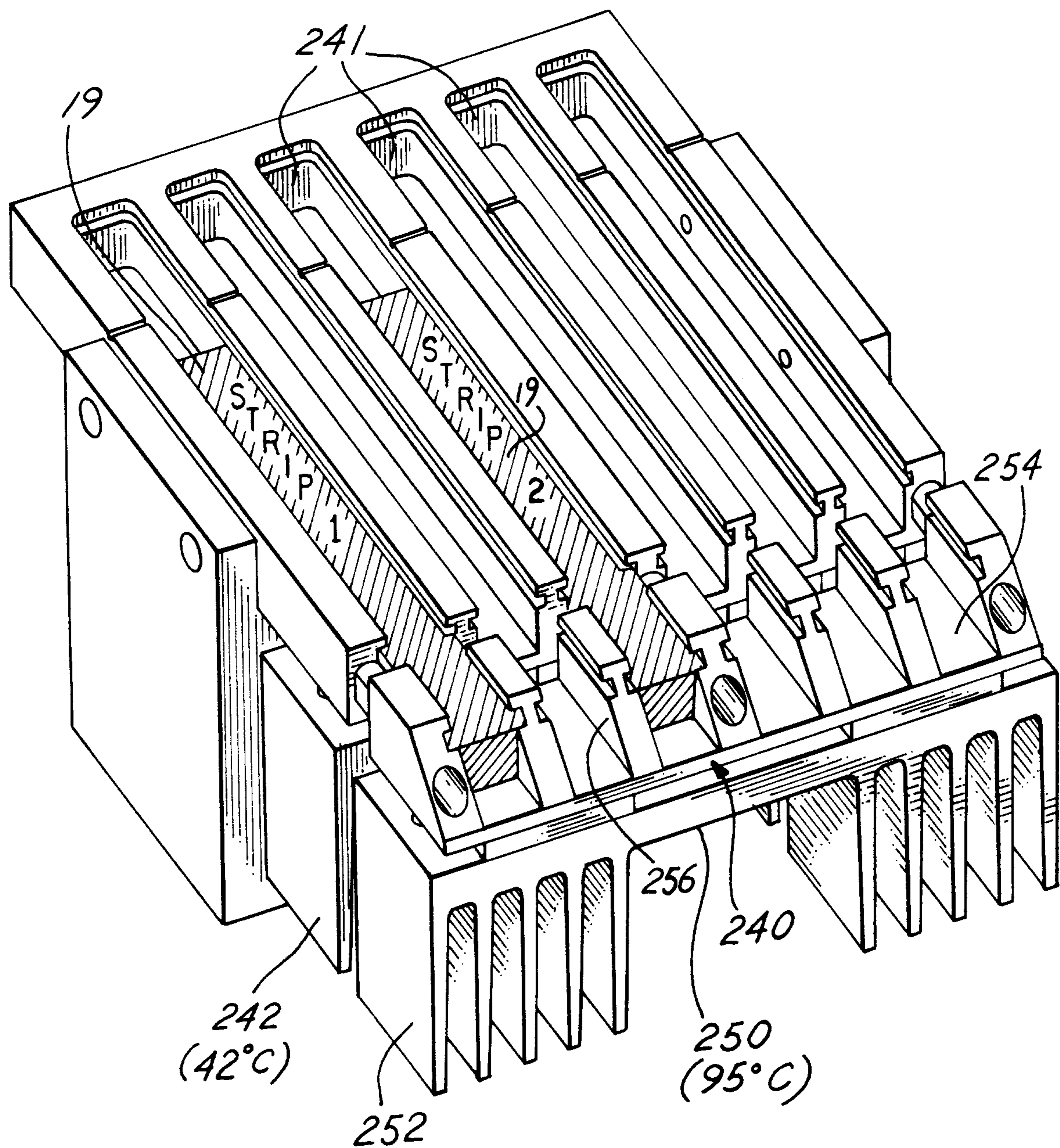
Patent Agents
Smart & Biggar

FIG.35



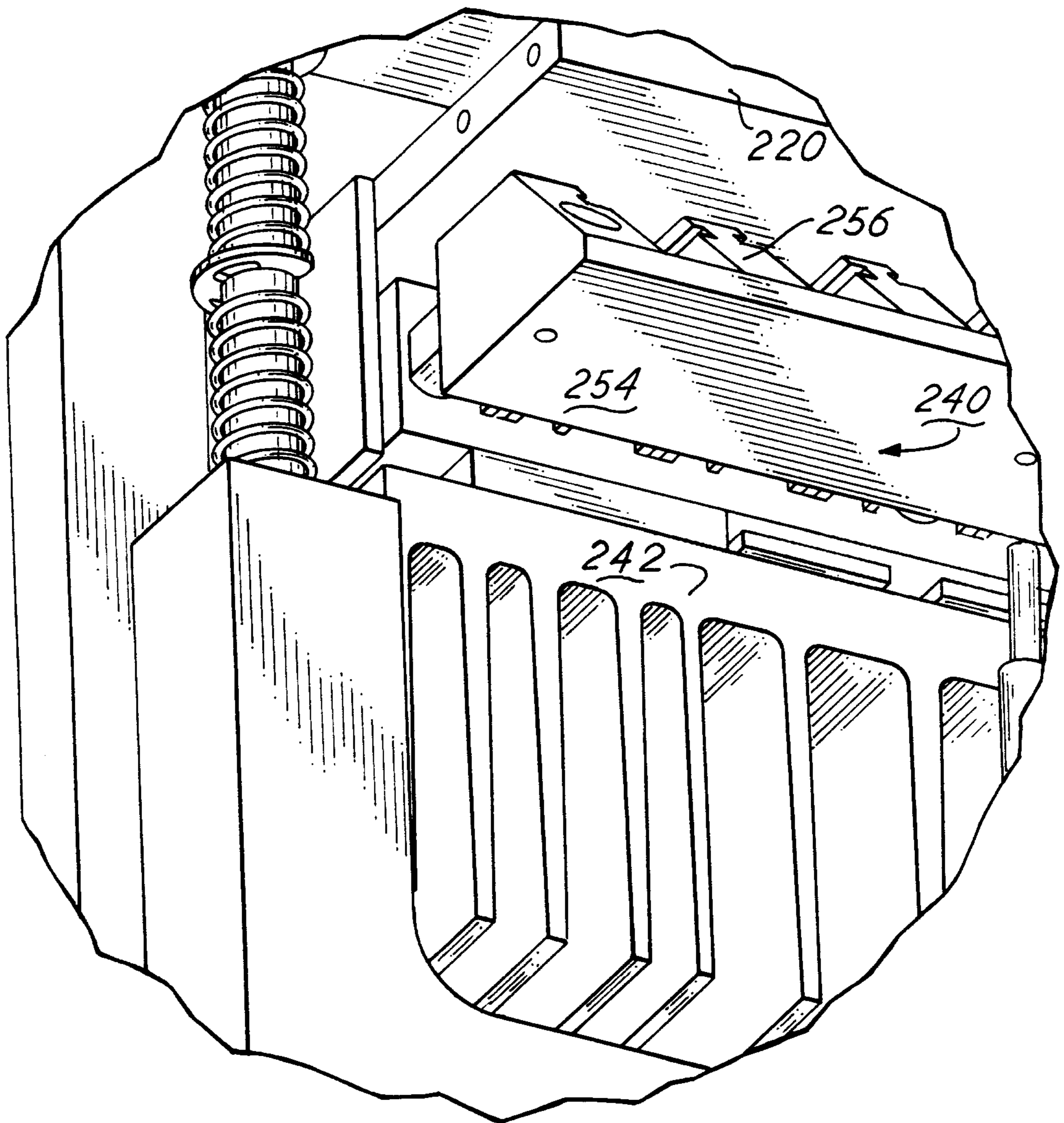
Patent Agents
Smart & Biggar

FIG. 36



Patent Agents
Smart & Biggar

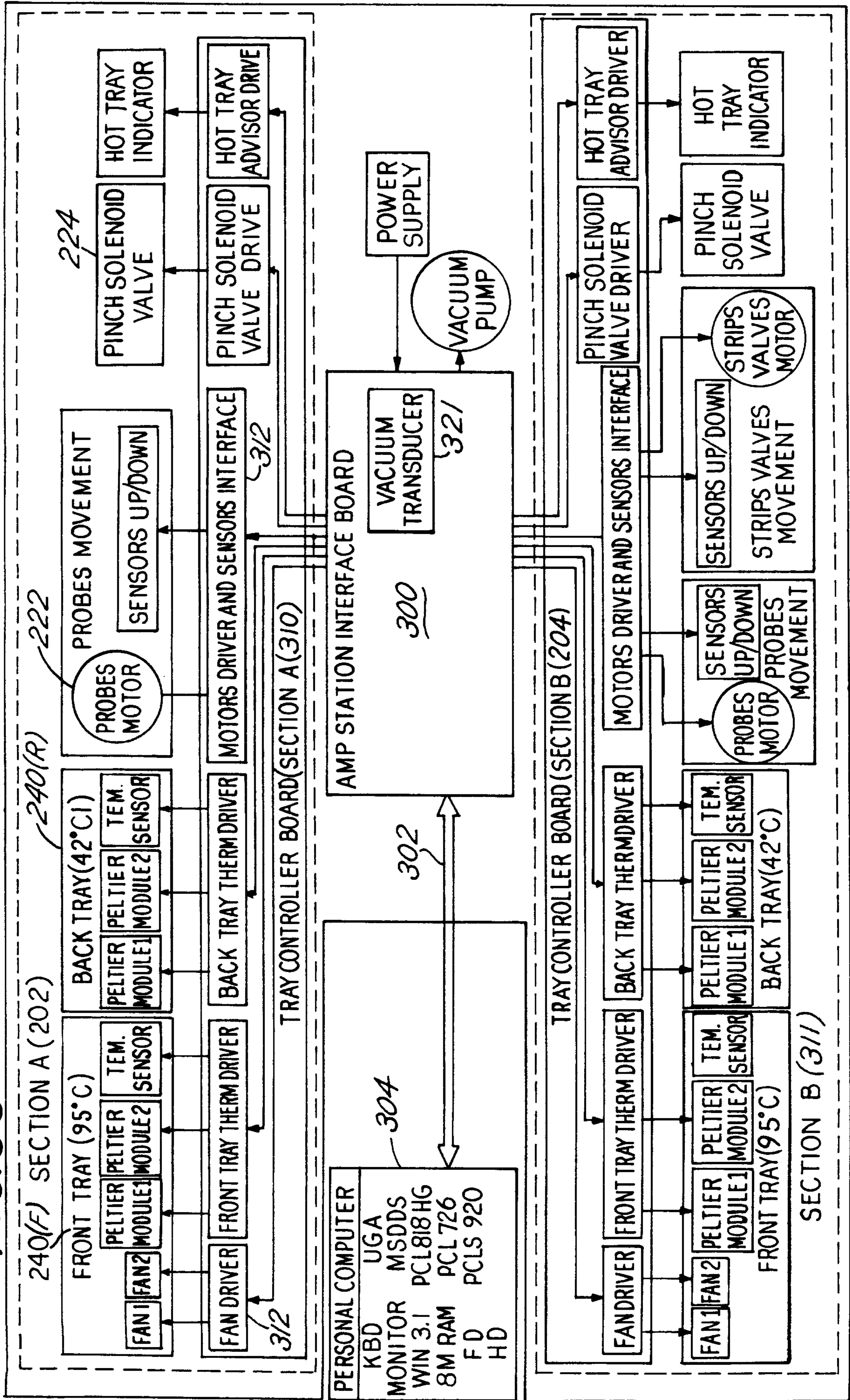
FIG. 37



Patent Agents
Smart & Biggar

AMPLIFICATION STATION (BLOCKS DIAGRAM)

FIG. 38



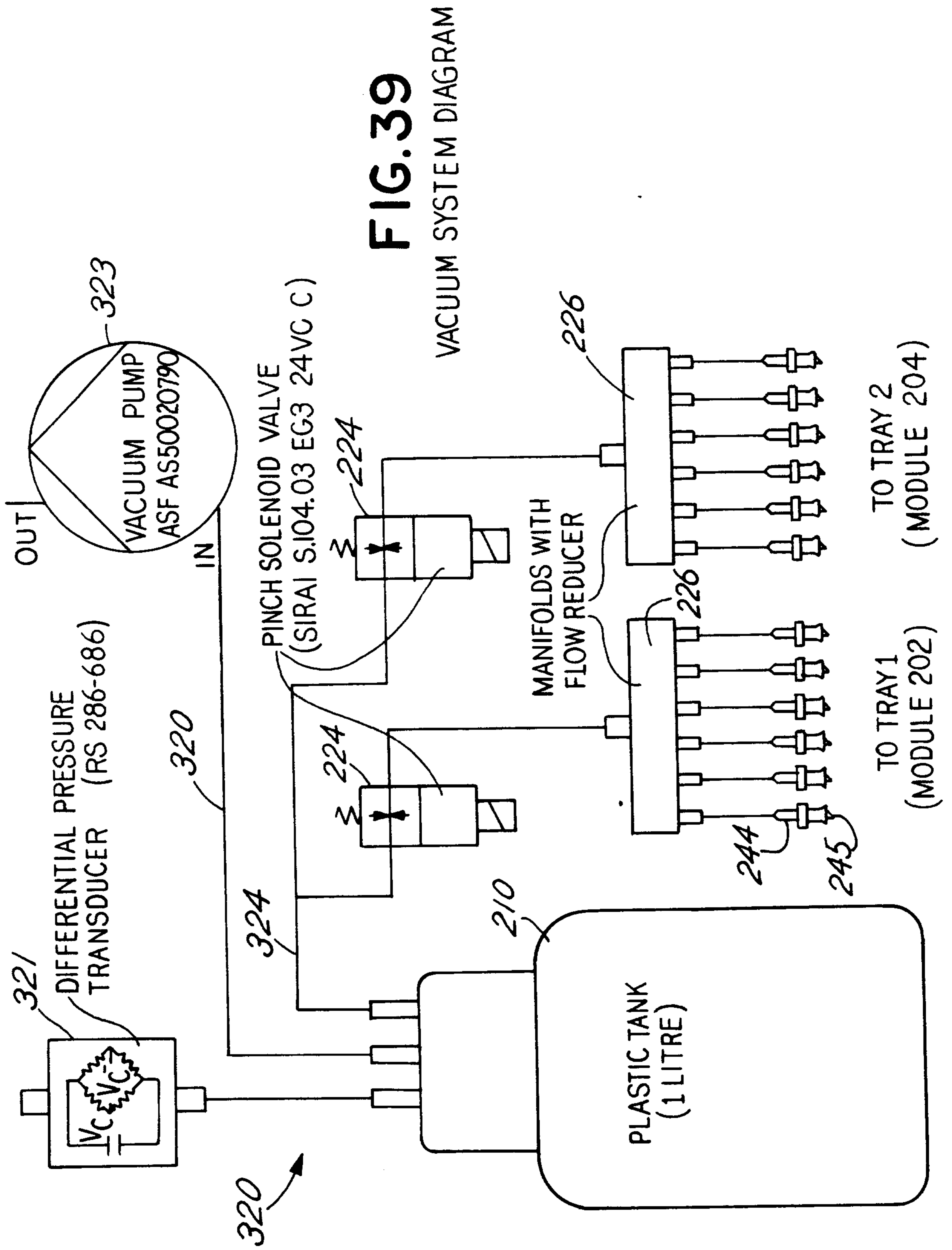
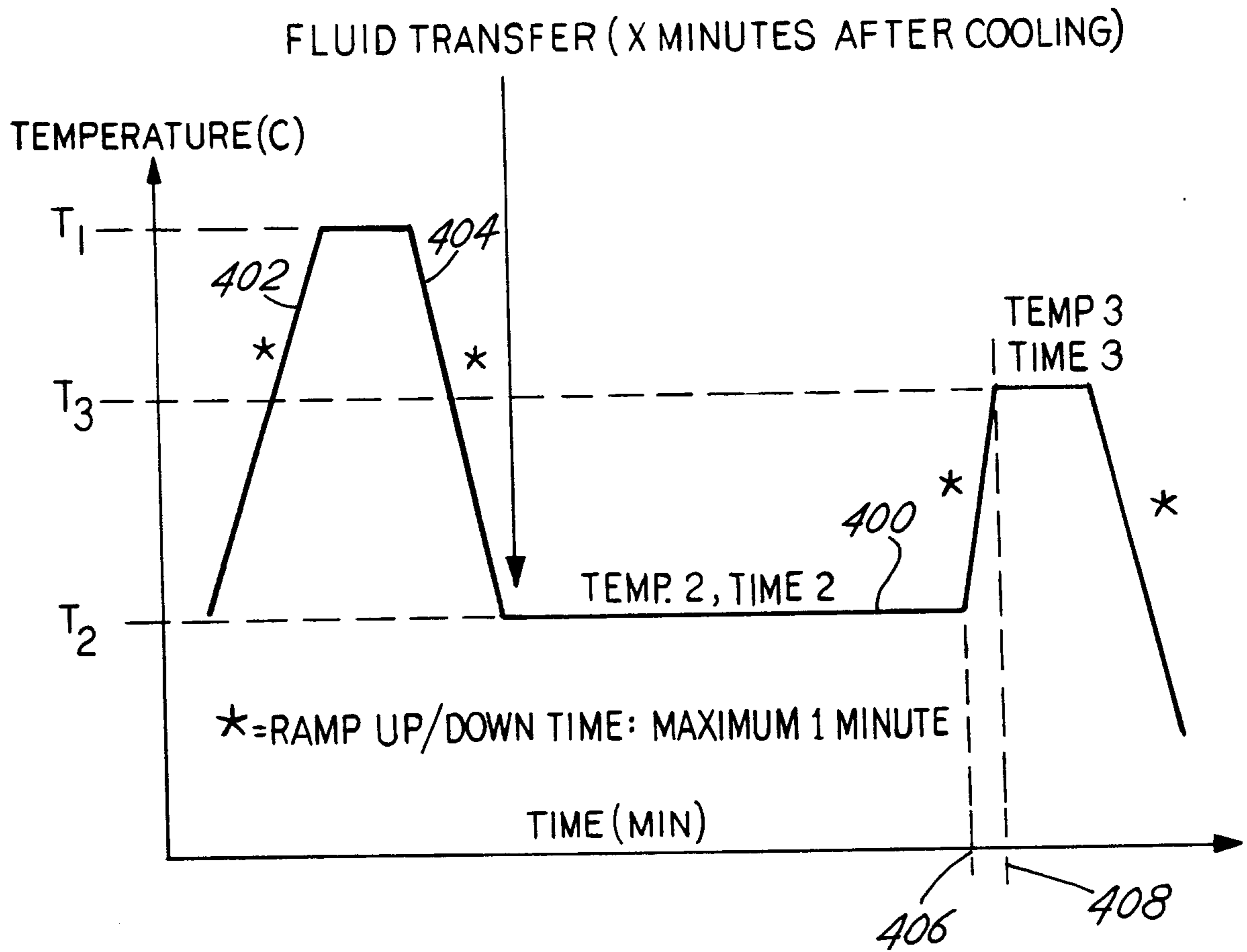


FIG. 39
VACUUM SYSTEM DIAGRAM

Patent Agents
Smart & Biggar

FIG.40



Patent Agents
Smart & Biggar

FIG.41

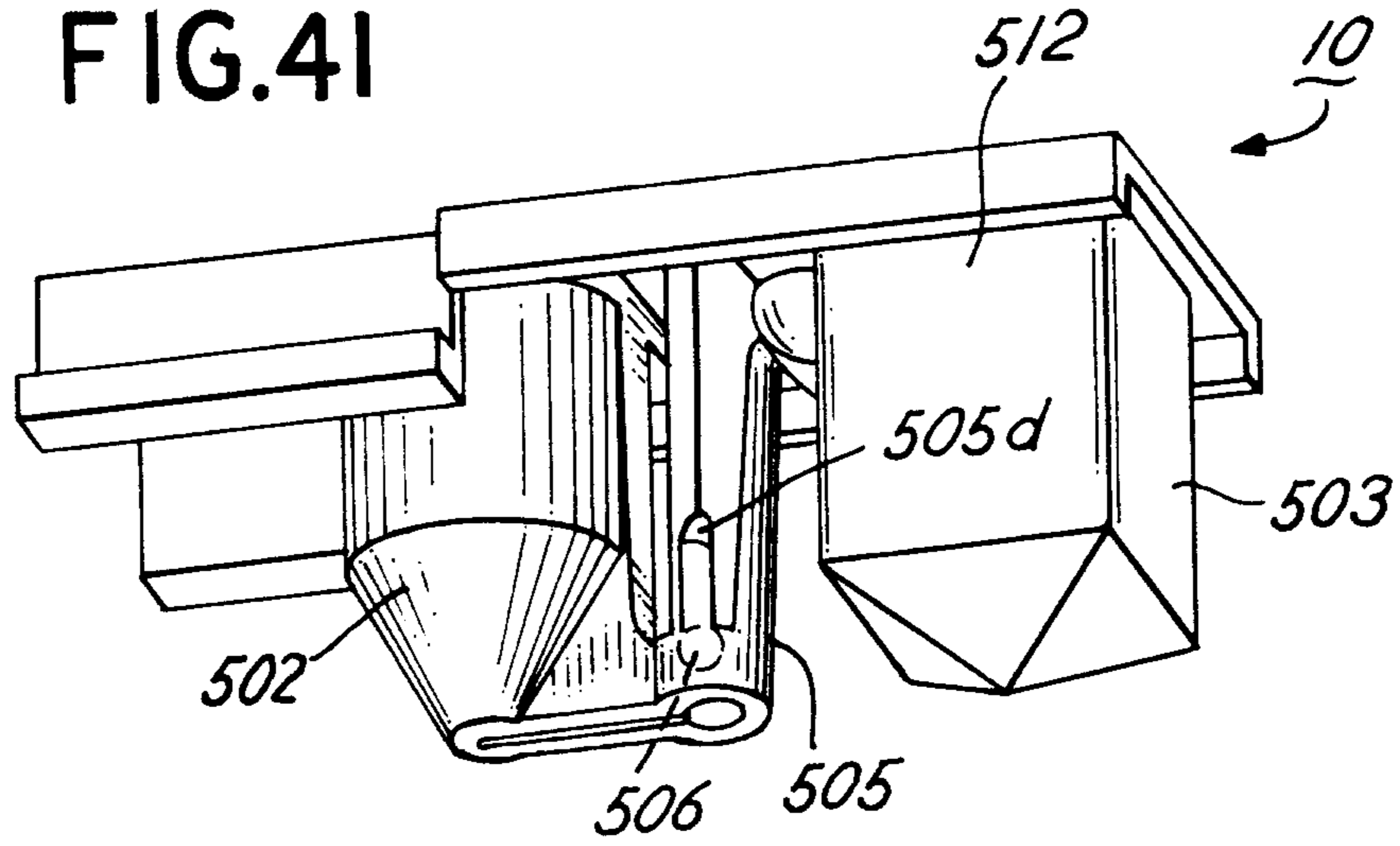


FIG.42

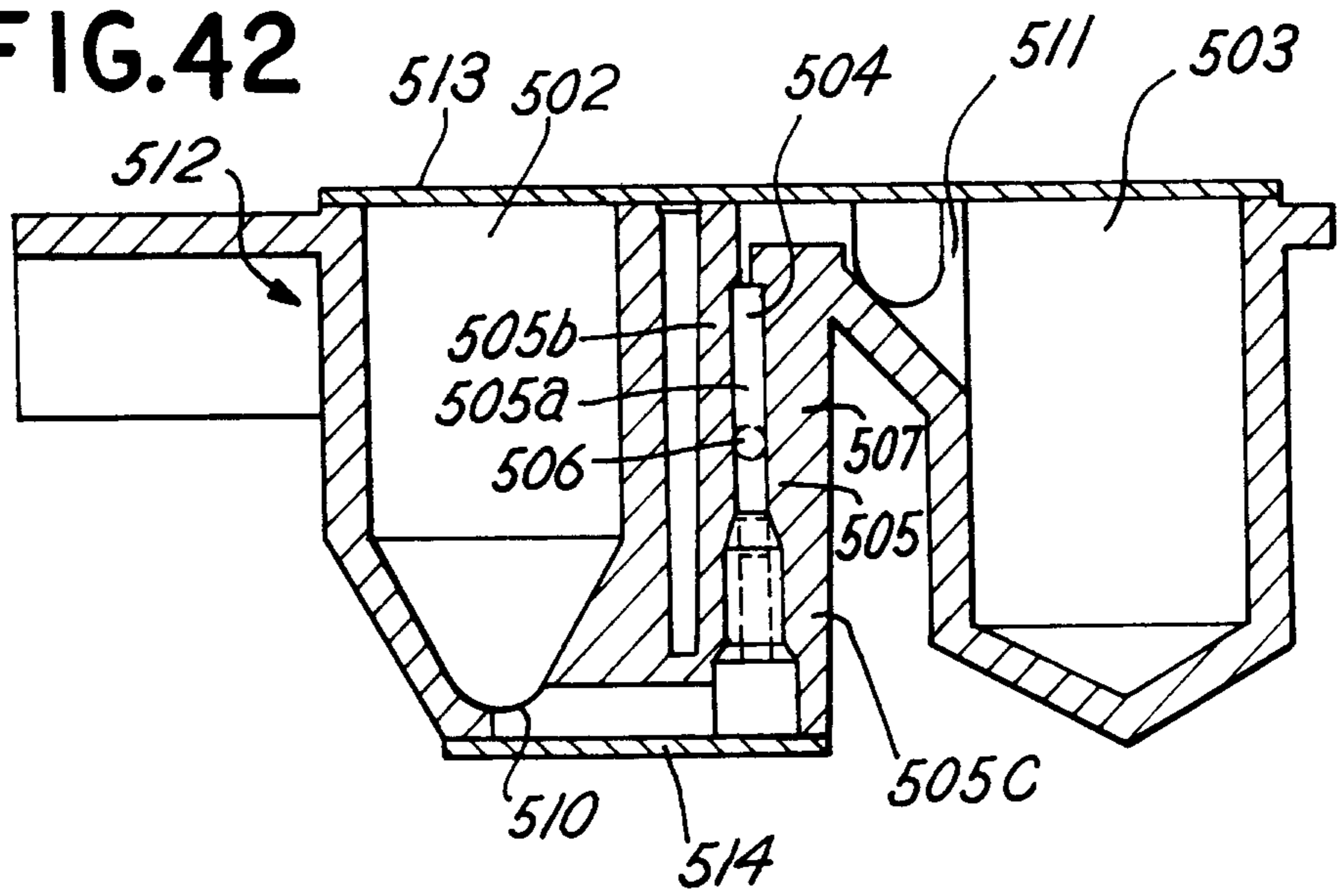


FIG.43

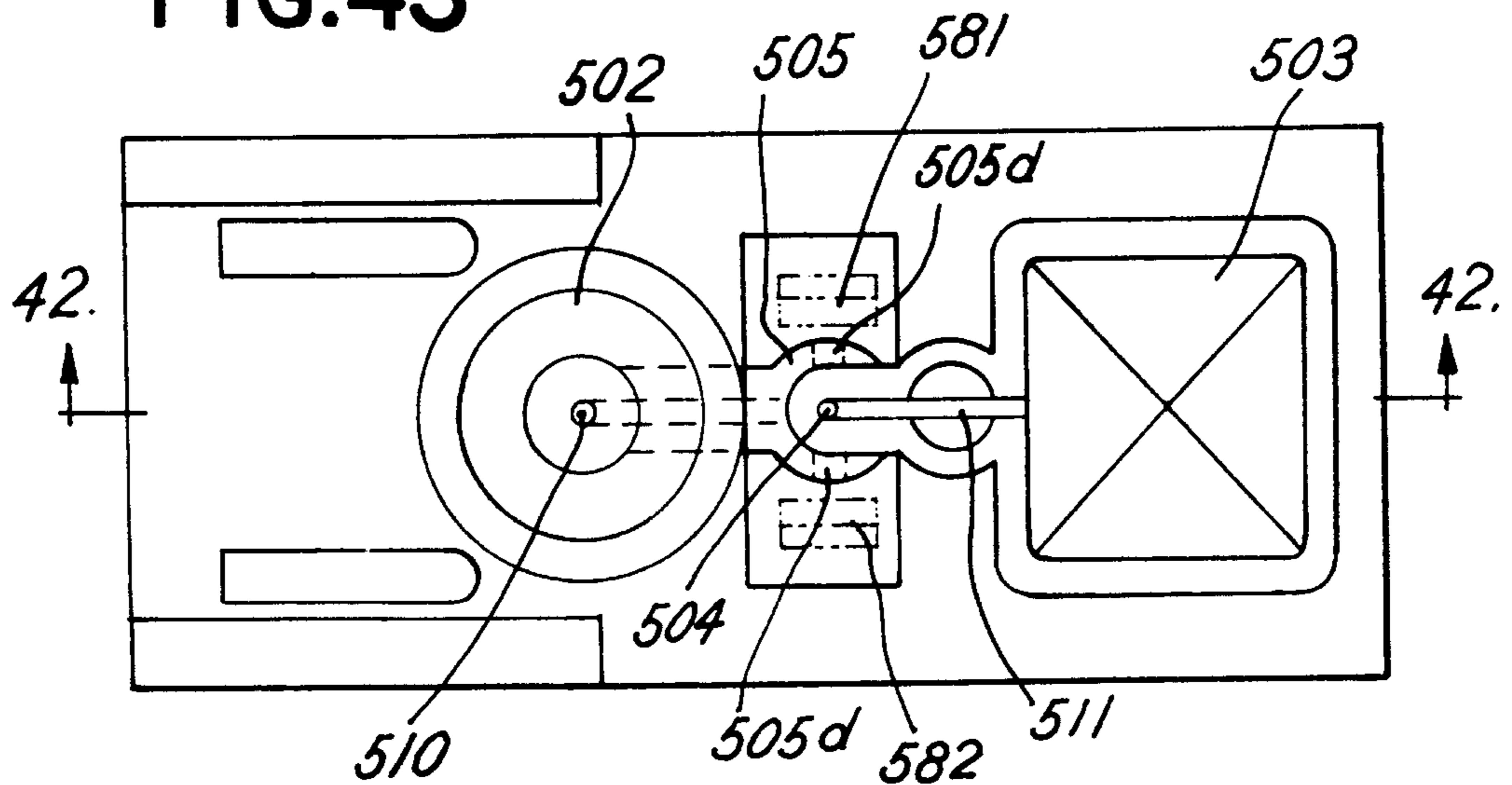


FIG.44

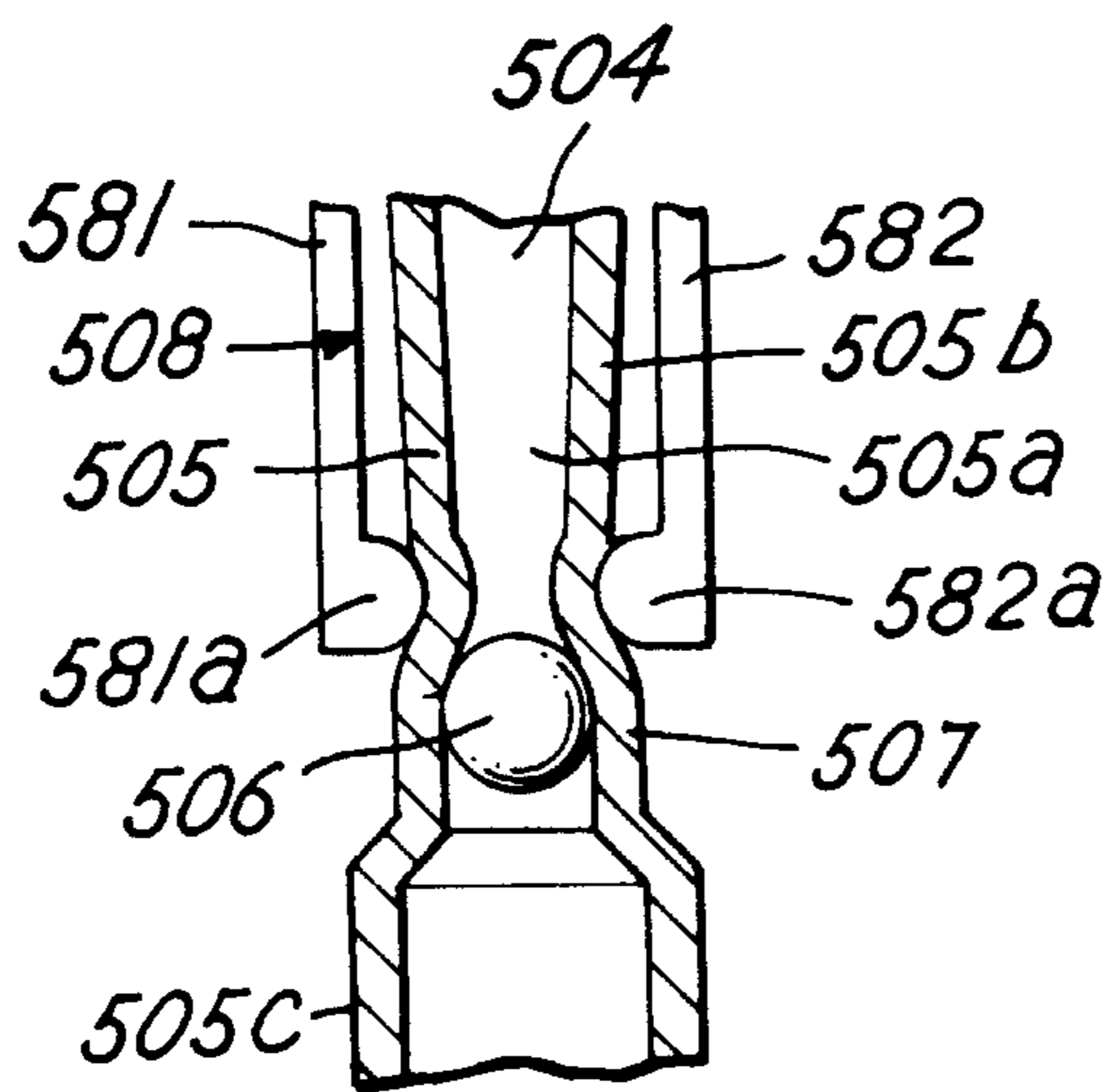
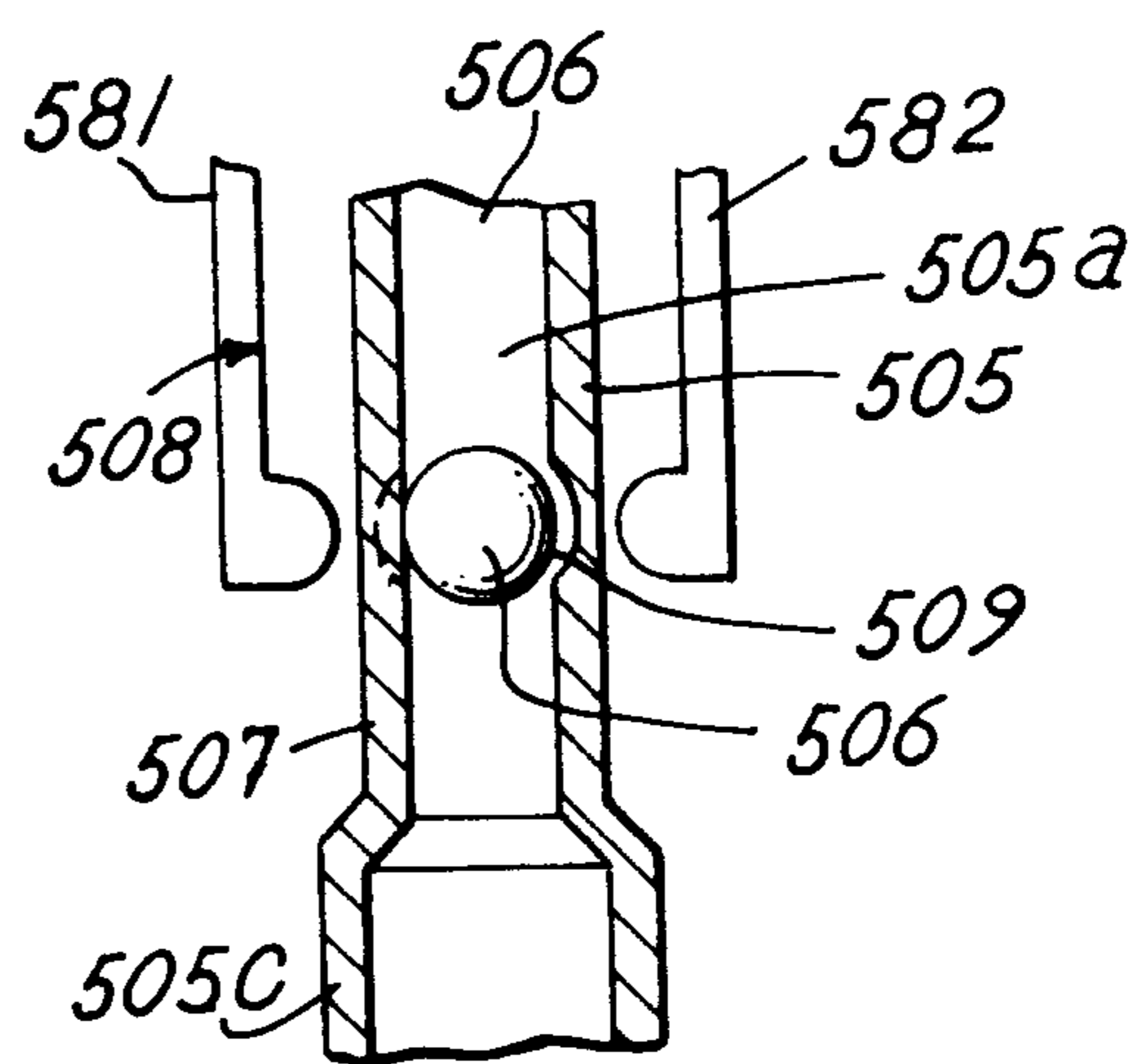


FIG.45



**Patent Agents
Smart & Biggar**

FIG.46

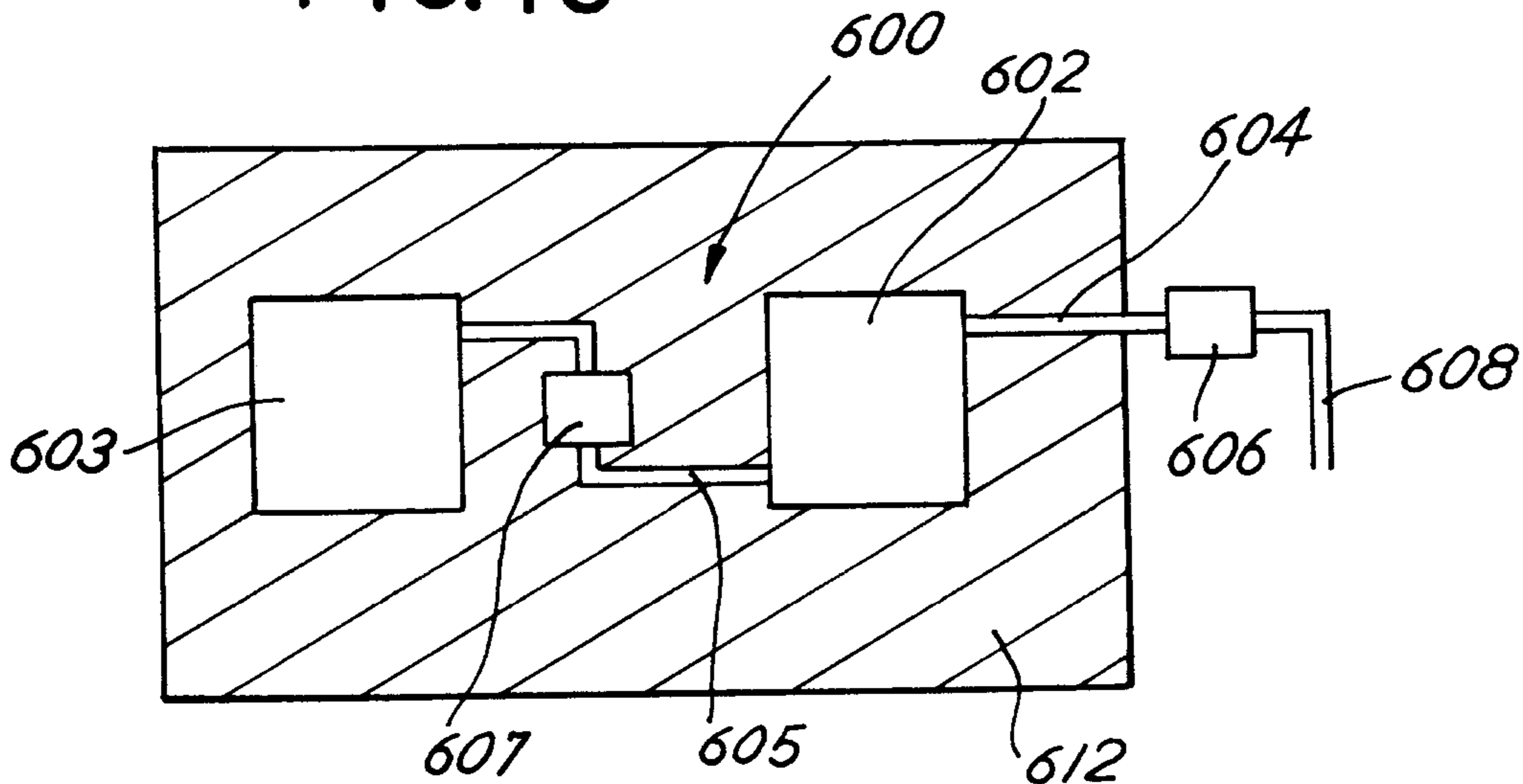


FIG.47 A

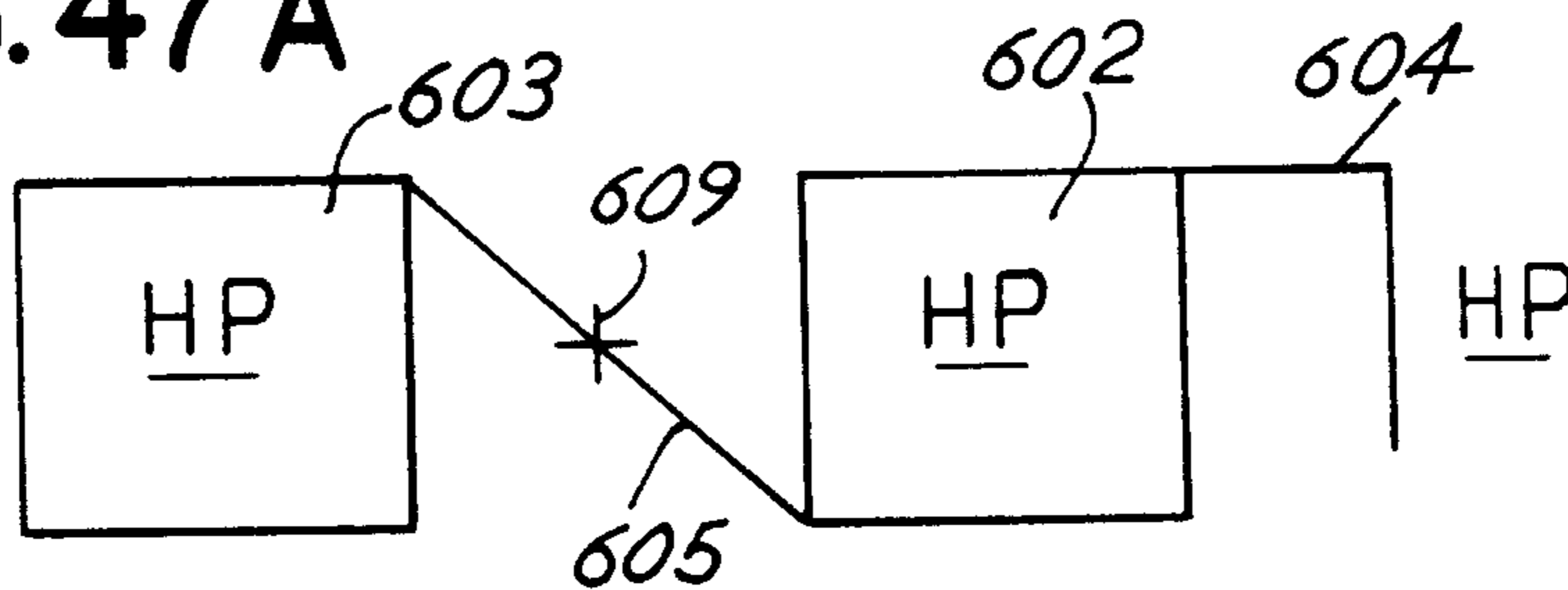


FIG.47 B

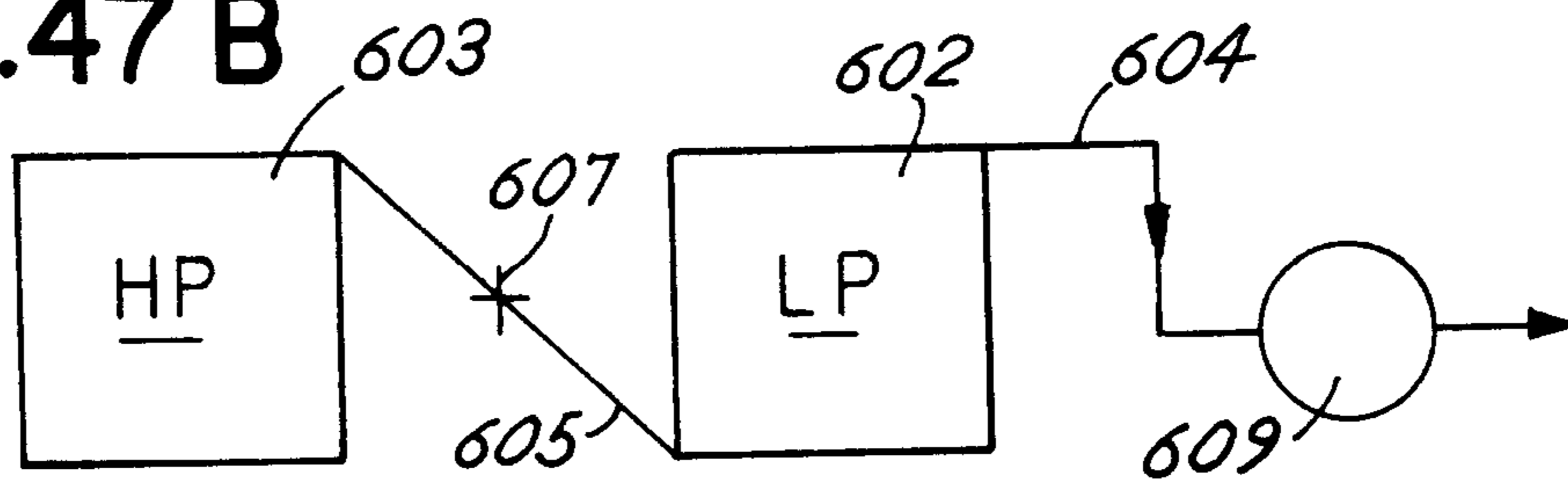


FIG.47 C

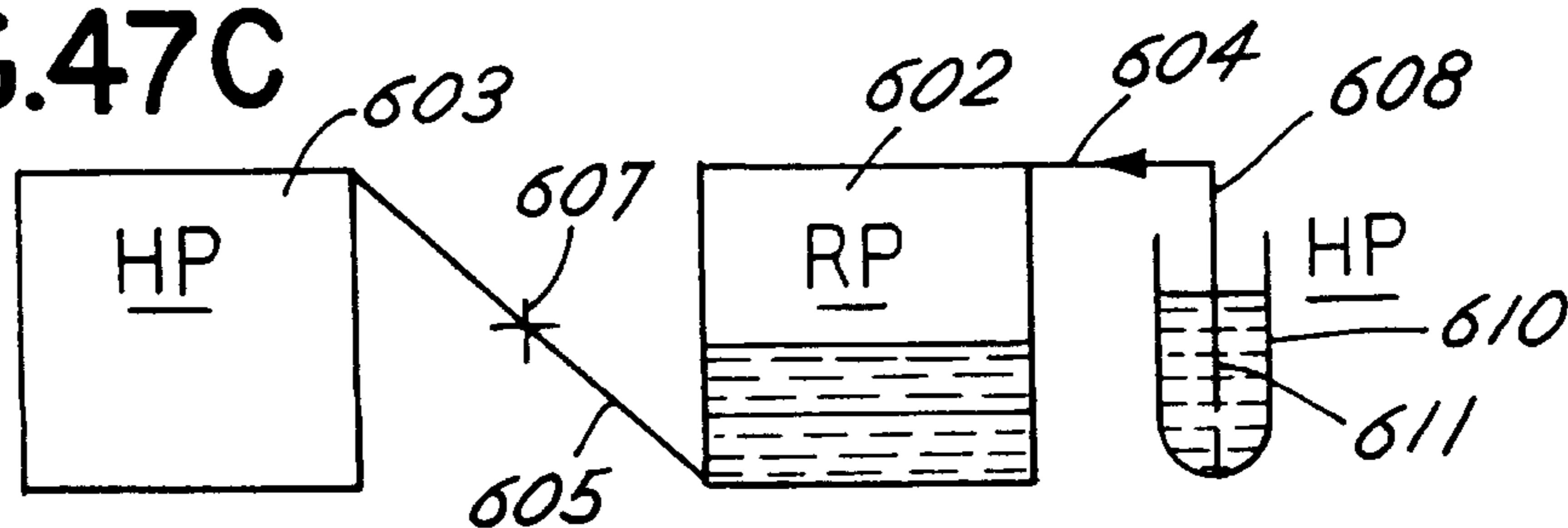


FIG.47 D

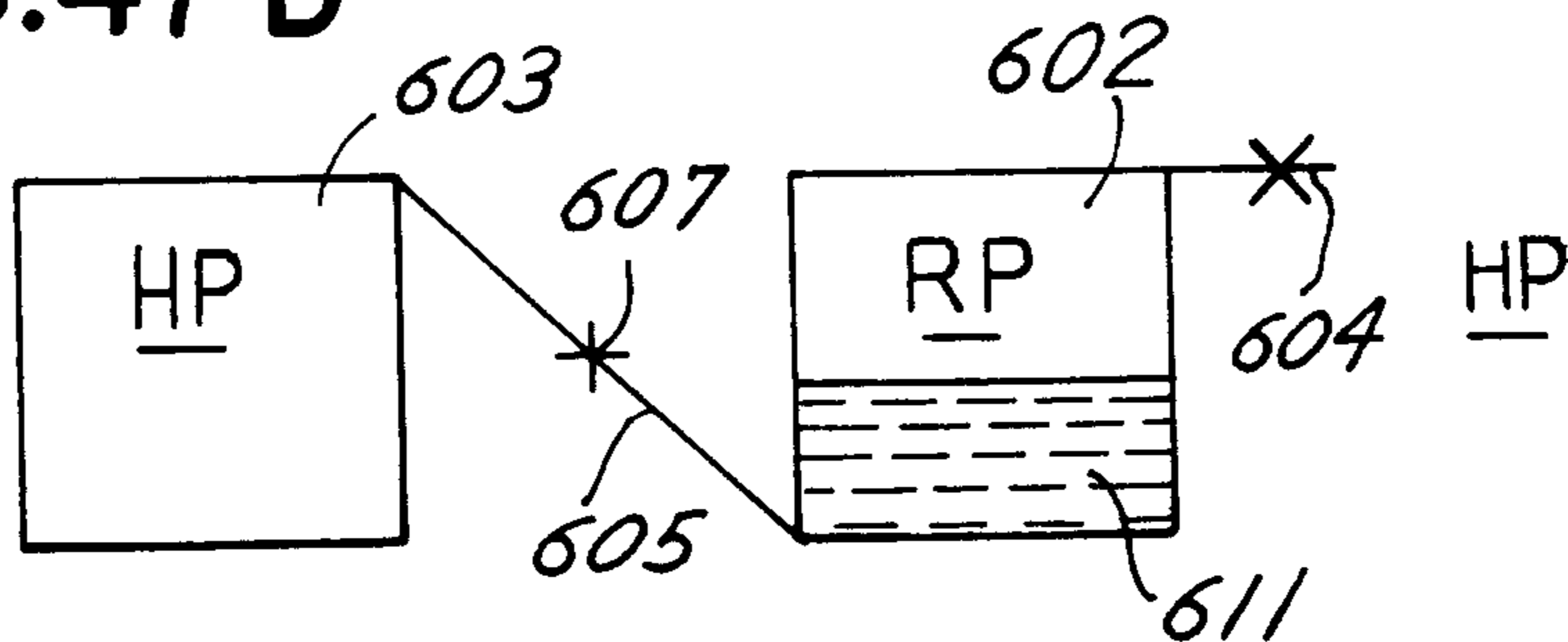


FIG.47 E

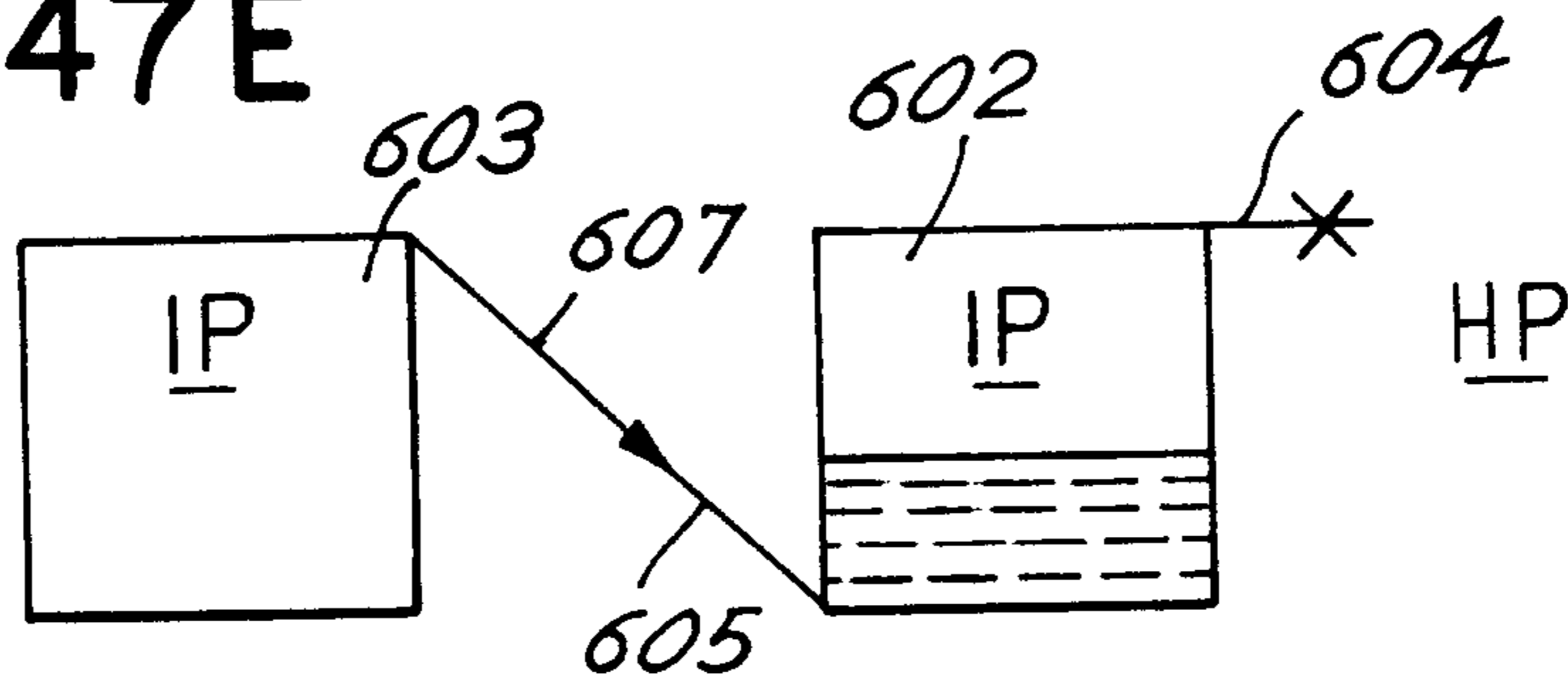
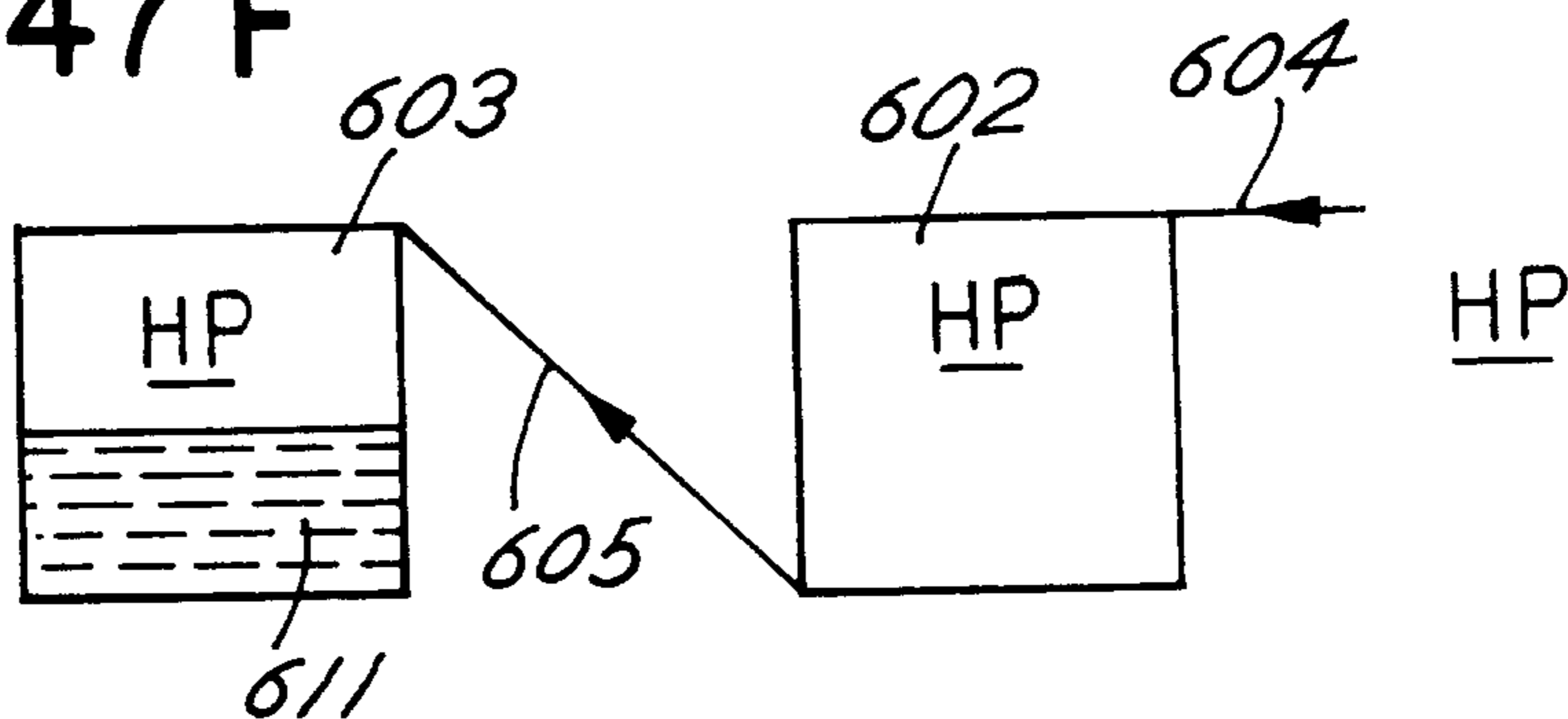


FIG.47 F



Patent Agents
Smart & Biggar

