



US00D515880S

(12) **United States Design Patent**  
Lerner

(10) **Patent No.:** **US D515,880 S**

(45) **Date of Patent:** **\*\* Feb. 28, 2006**

(54) **MULTI-COMPARTMENT FOOD STORAGE  
CONTAINER WITH REMOVABLE  
THERMAL PRESERVATION INSERT**

D386,075 S \* 11/1997 Hayes et al. .... D9/761  
6,048,558 A \* 4/2000 Feldmeier et al. .... 206/542  
D451,769 S \* 12/2001 Stanos et al. .... D7/629

(76) Inventor: **William S. Lerner**, 215 E. 68th St.,  
Apt. 23A, New York, NY (US)  
10021-5729

\* cited by examiner

*Primary Examiner*—Terry A. Wallace

(74) *Attorney, Agent, or Firm*—Steven Horowitz

(\*\*) Term: **14 Years**

(57) **CLAIM**

(21) Appl. No.: **29/207,640**

The ornamental design for a multi-compartment food storage container with removable thermal preservation insert, as shown and described.

(22) Filed: **Jun. 15, 2004**

(51) **LOC (8) Cl.** ..... **07-01**

**DESCRIPTION**

(52) **U.S. Cl.** ..... **D7/629; D9/761**

(58) **Field of Classification Search** ..... D7/629,  
D7/602, 550.1, 553.1–554.1, 555–557; D9/737,  
D9/751, 761, 762, 414, 418, 424–432; 206/557–564;  
220/23.8, 23.2, 23.83, 23.4, 662, 675, 780–783,  
220/792–799, 805; 229/406, 407

FIG. 1 is an exploded isometric view of the multi-compartment food storage container with removable thermal preservation insert showing my new design;

FIG. 2 is a side elevation view of FIG. 1 shown partly broken away and partly in section taken in the direction of the arrow 2 in FIG. 1;

FIG. 3 is an exploded isometric view of an alternative embodiment of FIG. 1; and,

FIG. 4 is a side elevation view of FIG. 3 shown partly broken away and partly in section taken in the direction of the arrow 4 in FIG. 3.

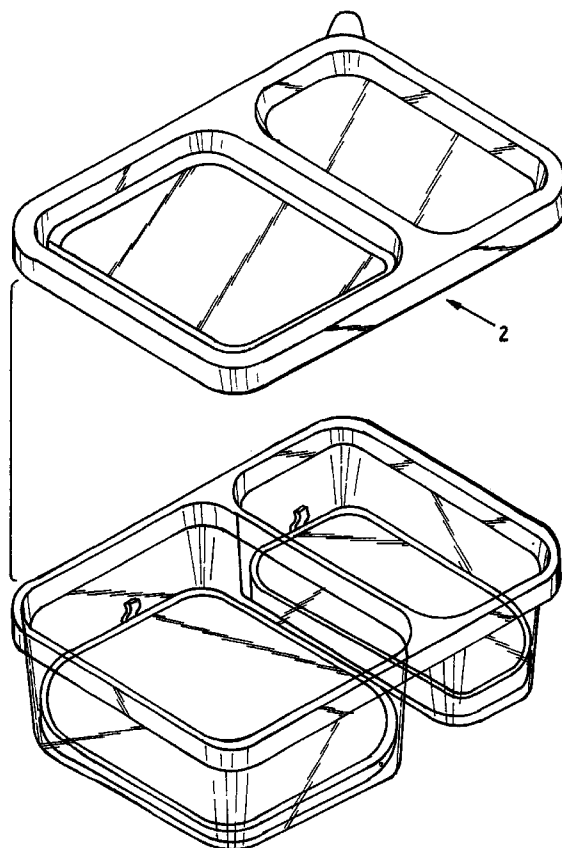
See application file for complete search history.

(56) **References Cited**

**U.S. PATENT DOCUMENTS**

D220,749 S \* 5/1971 Artz ..... D9/761  
D352,202 S \* 11/1994 Campbell et al. .... D7/553.2  
D372,170 S \* 7/1996 Ahern, Jr. .... D7/549

**1 Claim, 4 Drawing Sheets**



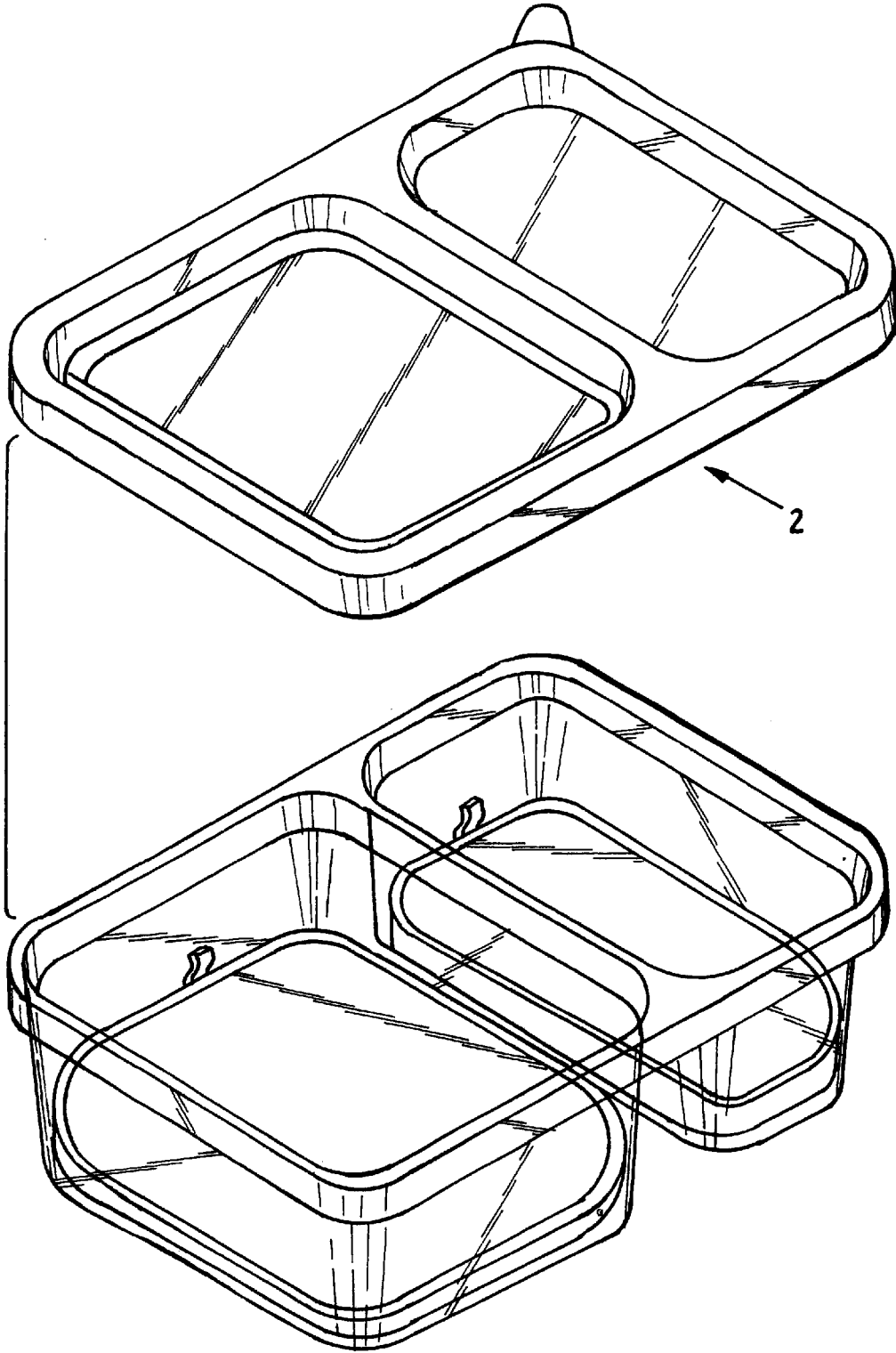


FIG. 1

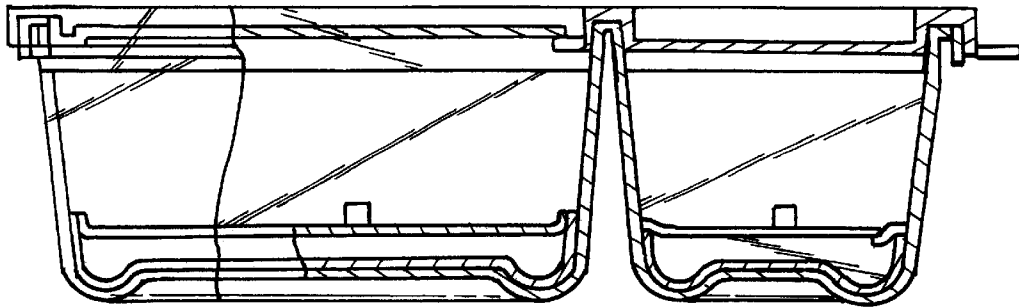


FIG. 2

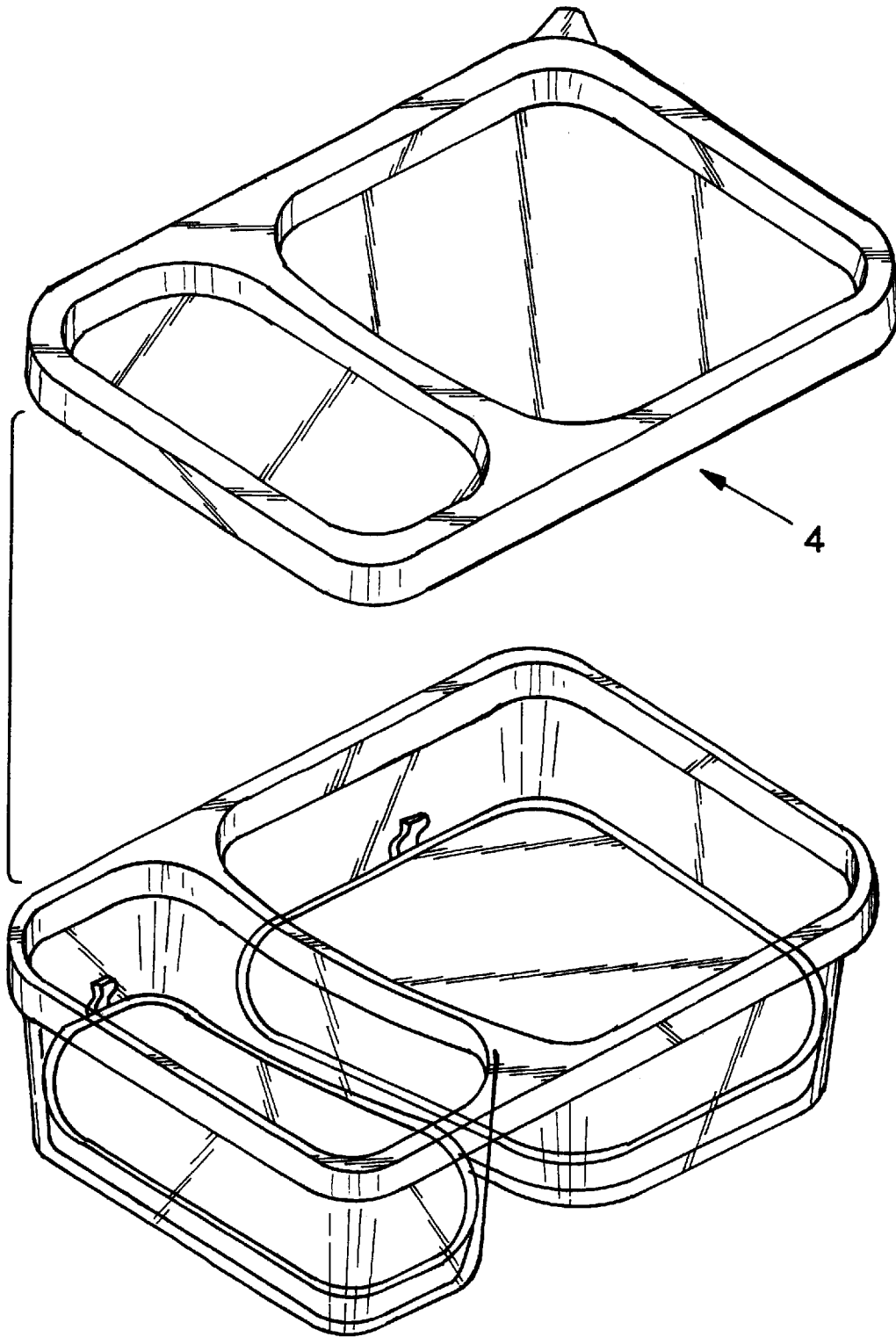


FIG. 3

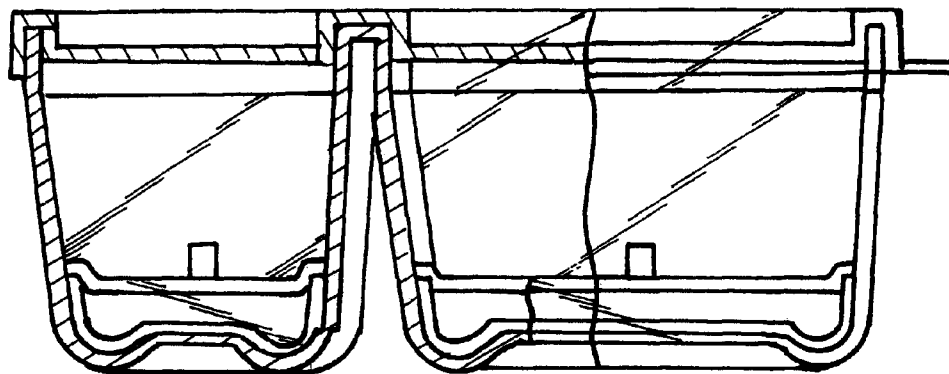


FIG. 4