



US00D737629S

(12) **United States Design Patent**
Sands

(10) **Patent No.:** **US D737,629 S**

(45) **Date of Patent:** **** Sep. 1, 2015**

(54) **MIXING VESSEL**

(71) Applicant: **Lenny Sands**, Los Angeles, CA (US)

(72) Inventor: **Lenny Sands**, Los Angeles, CA (US)

(73) Assignee: **Homeland Housewares, LLC**, Los Angeles, CA (US)

(**) Term: **14 Years**

(21) Appl. No.: **29/486,285**

(22) Filed: **Mar. 27, 2014**

(51) **LOC (10) Cl.** **31-00**

(52) **U.S. Cl.**

USPC **D7/413**; D7/376; D7/378; D7/412

(58) **Field of Classification Search**

USPC D7/372, 376-386, 412-413, 505, 602,
D7/629, 665-666, 669, 679, 693-694;
D9/429

CPC A21C 1/02; A21C 1/04; A23N 1/00;
A23N 1/02; A47J 43/04; A47J 43/25; A47J
43/27; A47J 43/042; A47J 43/044; A47J
43/046; A47J 43/075; A47J 43/0722; A47J
43/0727; A47J 43/0766; B01F 3/00; B01F
3/0807; B01F 3/0853; B01F 13/0059; B01F
13/0064; B02C 1/08; B02C 2/04; B02C 4/42;
B02C 4/142; B02C 4/143; B02C 4/423;
B02C 13/1835; B28C 5/10; B28C 5/12;
B28C 5/14; B28C 5/16

See application file for complete search history.

(56) **References Cited**

U.S. PATENT DOCUMENTS

D487,668 S *	3/2004	Sands	D7/378
D518,994 S *	4/2006	Lin	D7/378
7,063,009 B2 *	6/2006	Lin	99/492
D530,975 S *	10/2006	Fernandez	D7/378
D554,426 S *	11/2007	Sands	D7/378
D554,427 S *	11/2007	Sands	D7/378

D572,076 S *	7/2008	Ling	D7/384
D665,620 S *	8/2012	Chapman et al.	D7/376
D666,057 S *	8/2012	Theuretzbacher	D7/413
D668,114 S *	10/2012	Cozzolino et al.	D7/412
D697,798 S *	1/2014	Sorensen et al.	D9/429
D712,196 S *	9/2014	Ho et al.	D7/378
D727,097 S *	4/2015	Sorensen et al.	D7/505

FOREIGN PATENT DOCUMENTS

JP	D1152984	9/2002
KR	30-0283056	11/2001
TW	D125234	10/2008

OTHER PUBLICATIONS

Decision of Refusal from Japan Patent Office.
Office Action from Japan Patent Office.
Office Action from Taiwan Intellectual Property Office.

* cited by examiner

Primary Examiner — Ricky Pham

(74) *Attorney, Agent, or Firm* — Trojan Law Offices

(57) **CLAIM**

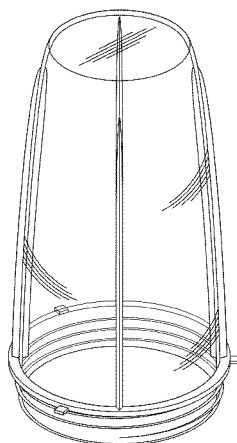
The ornamental design for a mixing vessel, as shown and described.

DESCRIPTION

FIG. 1 is a perspective view of a mixing vessel of my new design;
FIG. 2 is a perspective view of the mixing vessel shown in FIG. 1, assembled with a blade holder;
FIG. 3 is a front elevation view of the mixing vessel shown in FIG. 1, the rear elevation view being a mirror image;
FIG. 4 is a left side elevation view of the mixing vessel shown in FIG. 1;
FIG. 5 is a right side elevation view of the mixing vessel shown in FIG. 1;
FIG. 6 is a bottom plan view of the mixing vessel shown in FIG. 1; and,
FIG. 7 is a top plan view of the mixing vessel shown in FIG. 1.

The broken line portions of the disclosure are for illustrative purposes only and form no part of the claimed design.

1 Claim, 4 Drawing Sheets



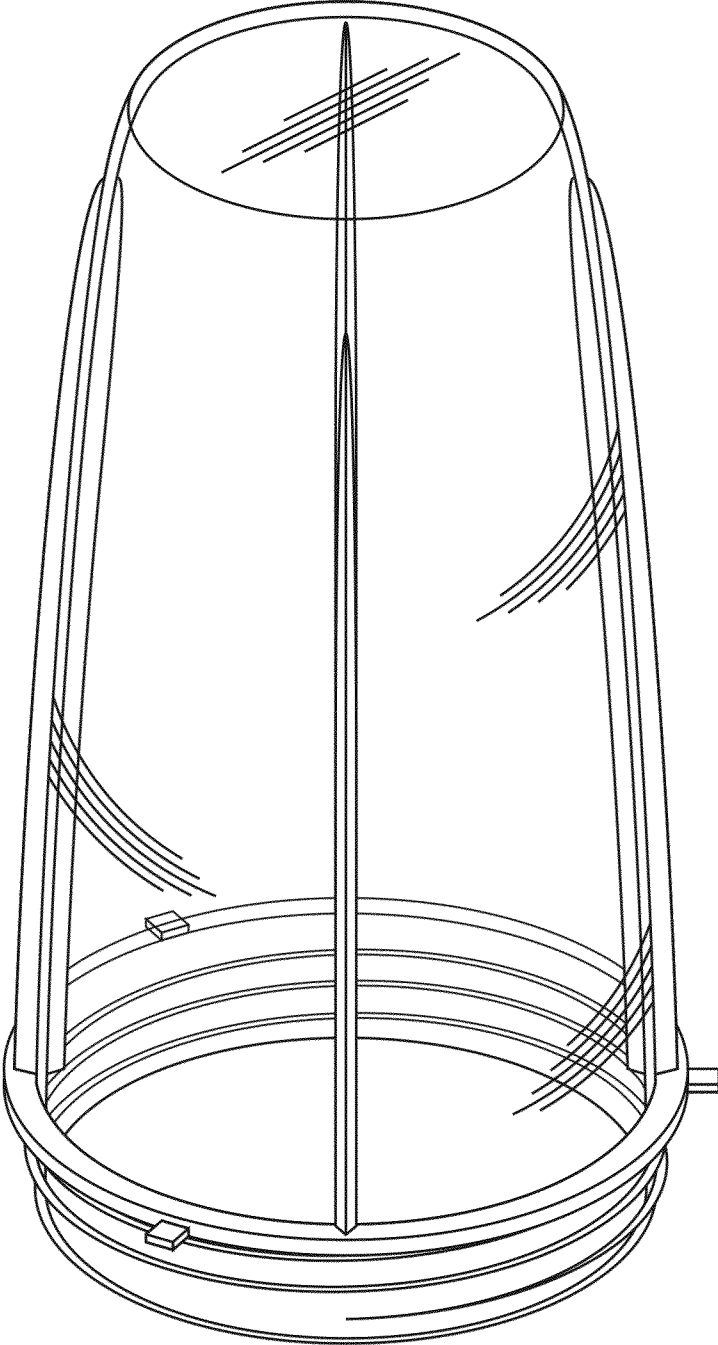


Fig. 1

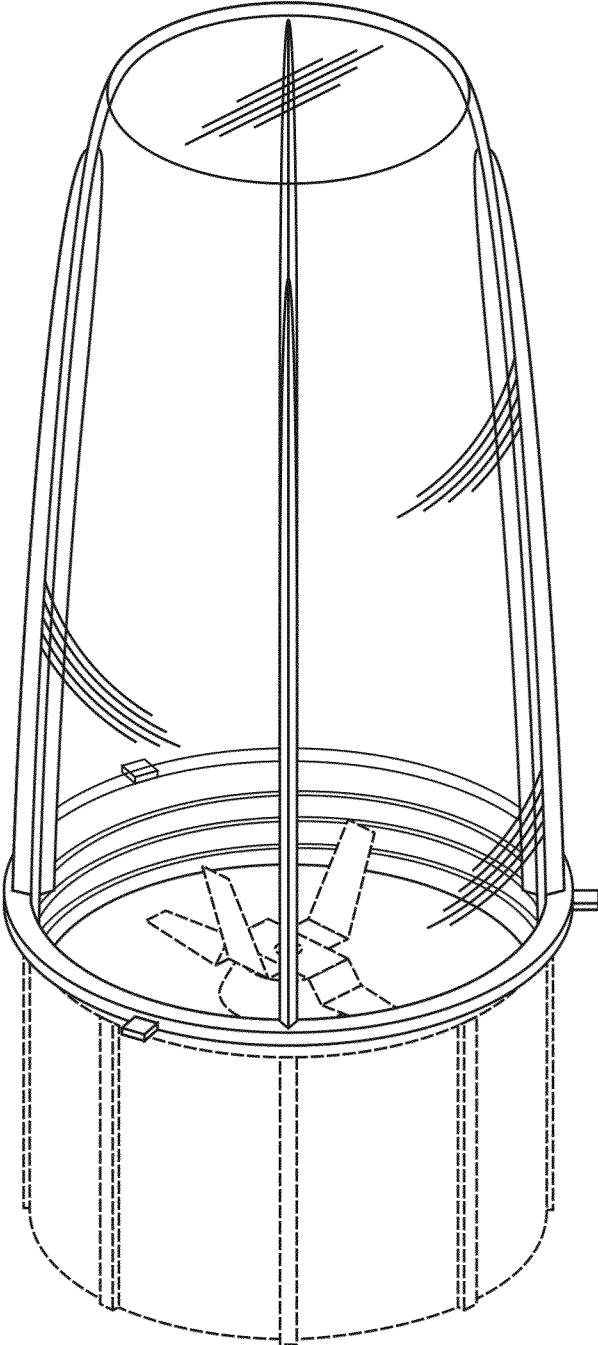


Fig. 2

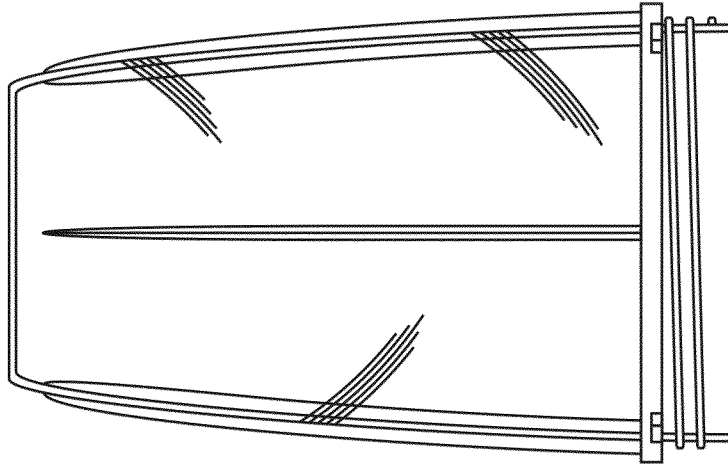


Fig. 3

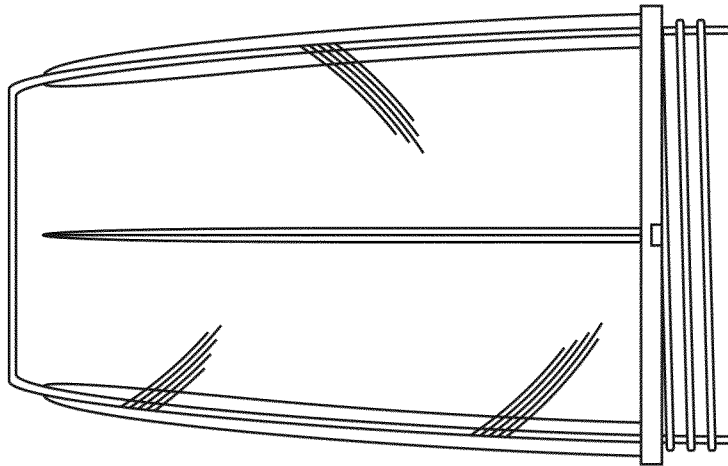


Fig. 4

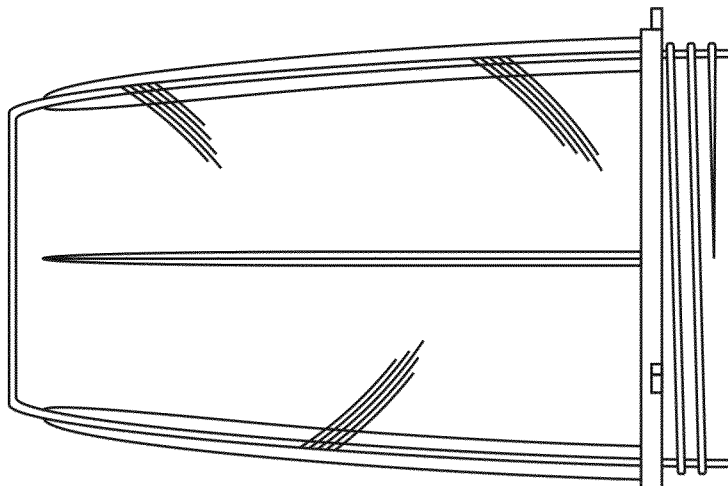


Fig. 5

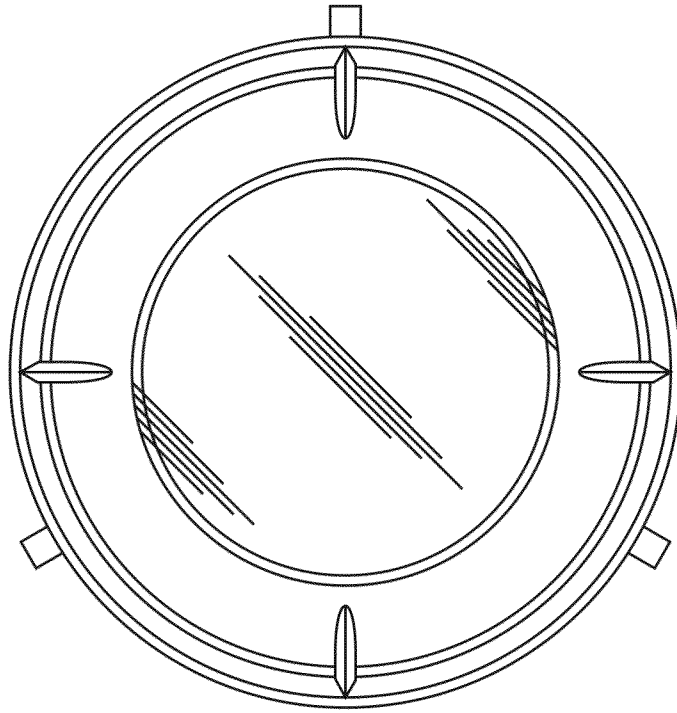


Fig. 7

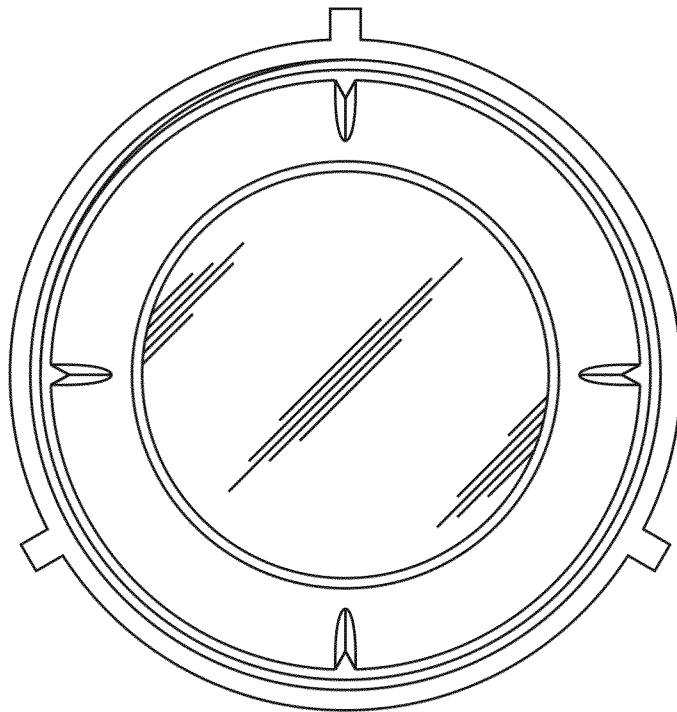


Fig. 6