



US00D408074S

# United States Patent [19] Tai

[11] Patent Number: **Des. 408,074**

[45] Date of Patent: **\*\*Apr. 13, 1999**

[54] **CEILING FAN**

[76] Inventor: **Jen-Lung David Tai**, 19507 N. 65th Ave., Glendale, Ariz. 85308

[\*\*] Term: **14 Years**

[21] Appl. No.: **29/090,473**

[22] Filed: **Jul. 9, 1998**

[51] **LOC (6) Cl.** ..... **23-04**

[52] **U.S. Cl.** ..... **D23/377; D23/379; D23/385; D26/59**

[58] **Field of Search** ..... **D23/377, 379, D23/385, 411, 413; 416/5; 392/364; 362/96; D26/81-86, 88, 51, 59, 72**

[56] **References Cited**

**U.S. PATENT DOCUMENTS**

D. 331,101 11/1992 Rezek ..... D23/377

**OTHER PUBLICATIONS**

Sonica Fan Innovations Inc. Cat., p. 24. Ceiling Fan Blade (A), bottom left side of page, 1995.

*Primary Examiner*—Lisa Lichtenstein  
*Attorney, Agent, or Firm*—Parsons & Goltry; Michael W. Goltry; Robert A. Parsons

[57] **CLAIM**

The ornamental design for a ceiling fan, as shown and described.

**DESCRIPTION**

FIG. 1 is a perspective view of a ceiling fan showing my new design;

FIG. 2 is a bottom plan view thereof;

FIG. 3 is a top plan view thereof;

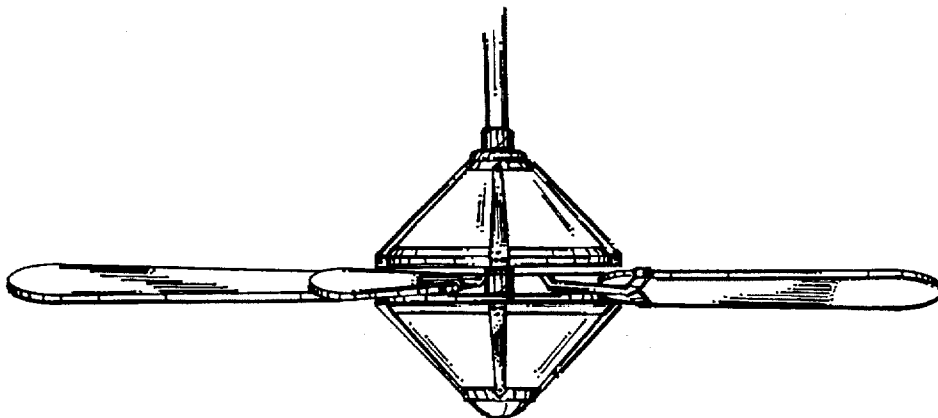
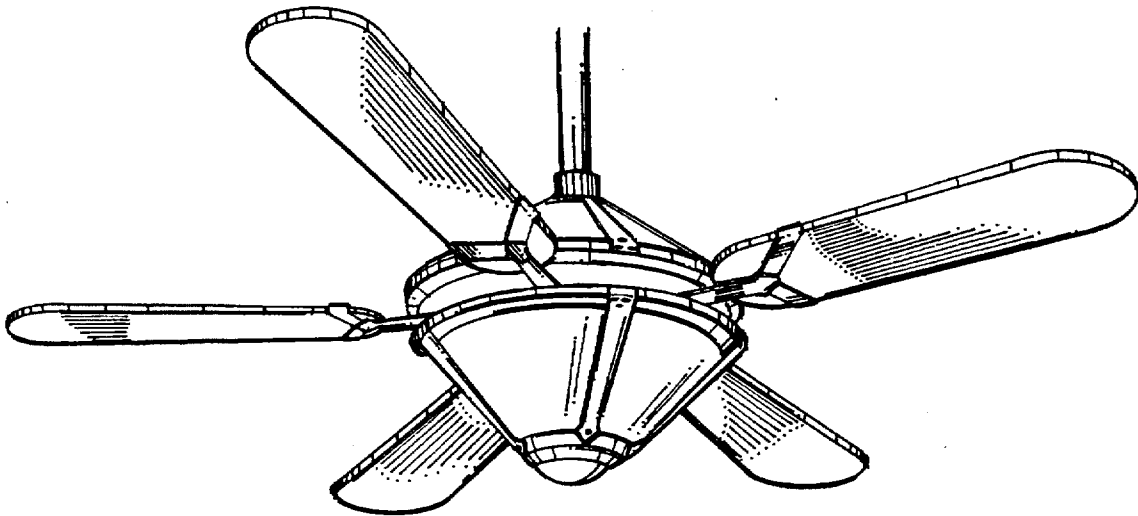
FIG. 4 is a front elevational view thereof;

FIG. 5 is a right side elevational view thereof;

FIG. 6 is a rear elevational view thereof; and,

FIG. 7 is a left side elevational view thereof.

**1 Claim, 5 Drawing Sheets**



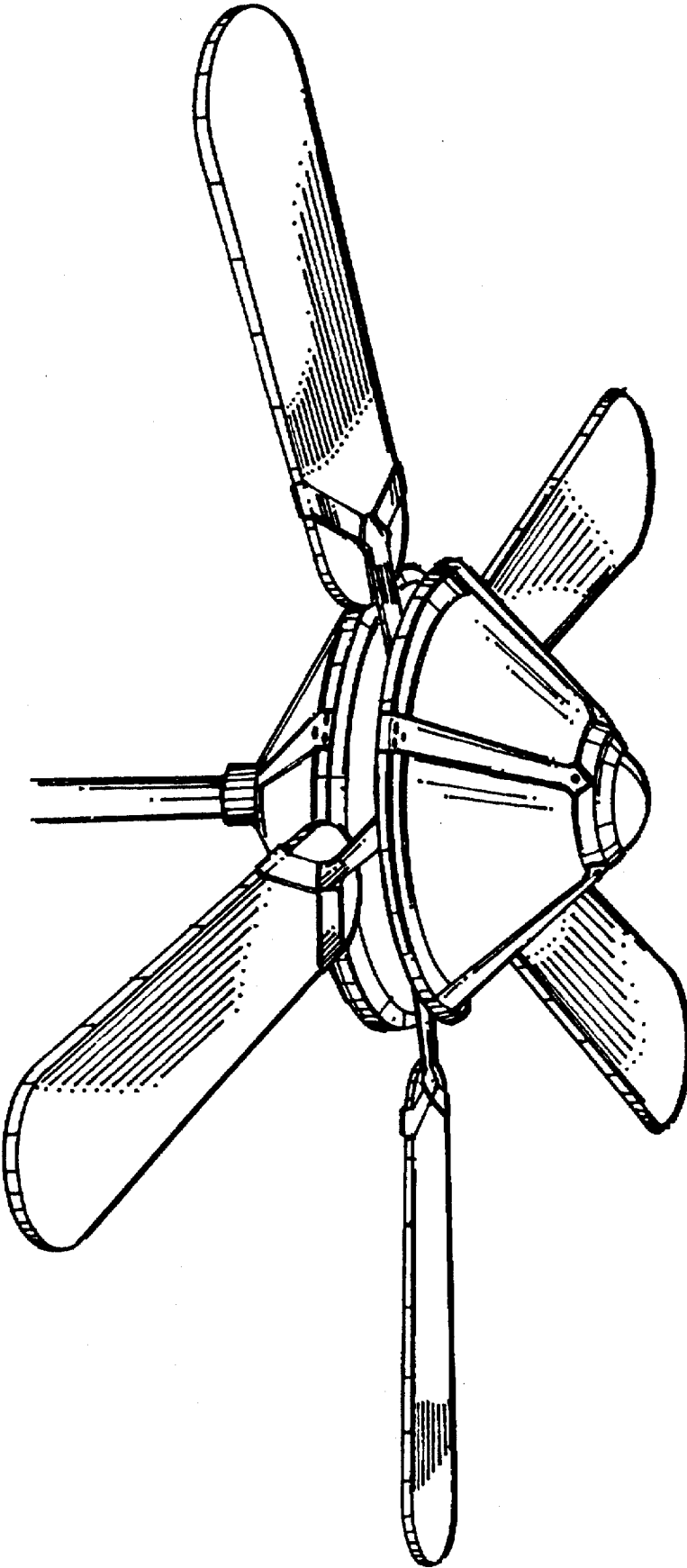
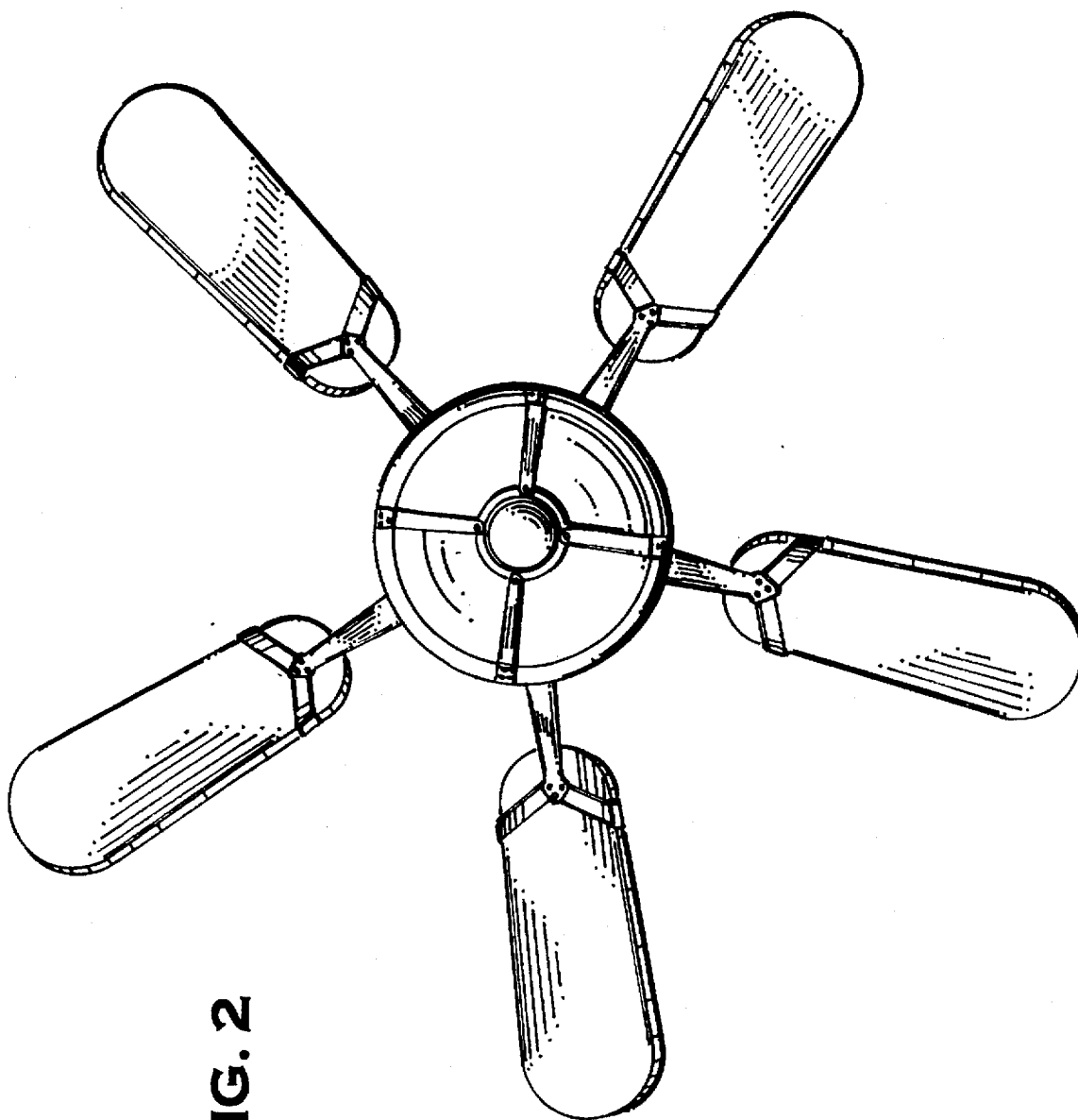
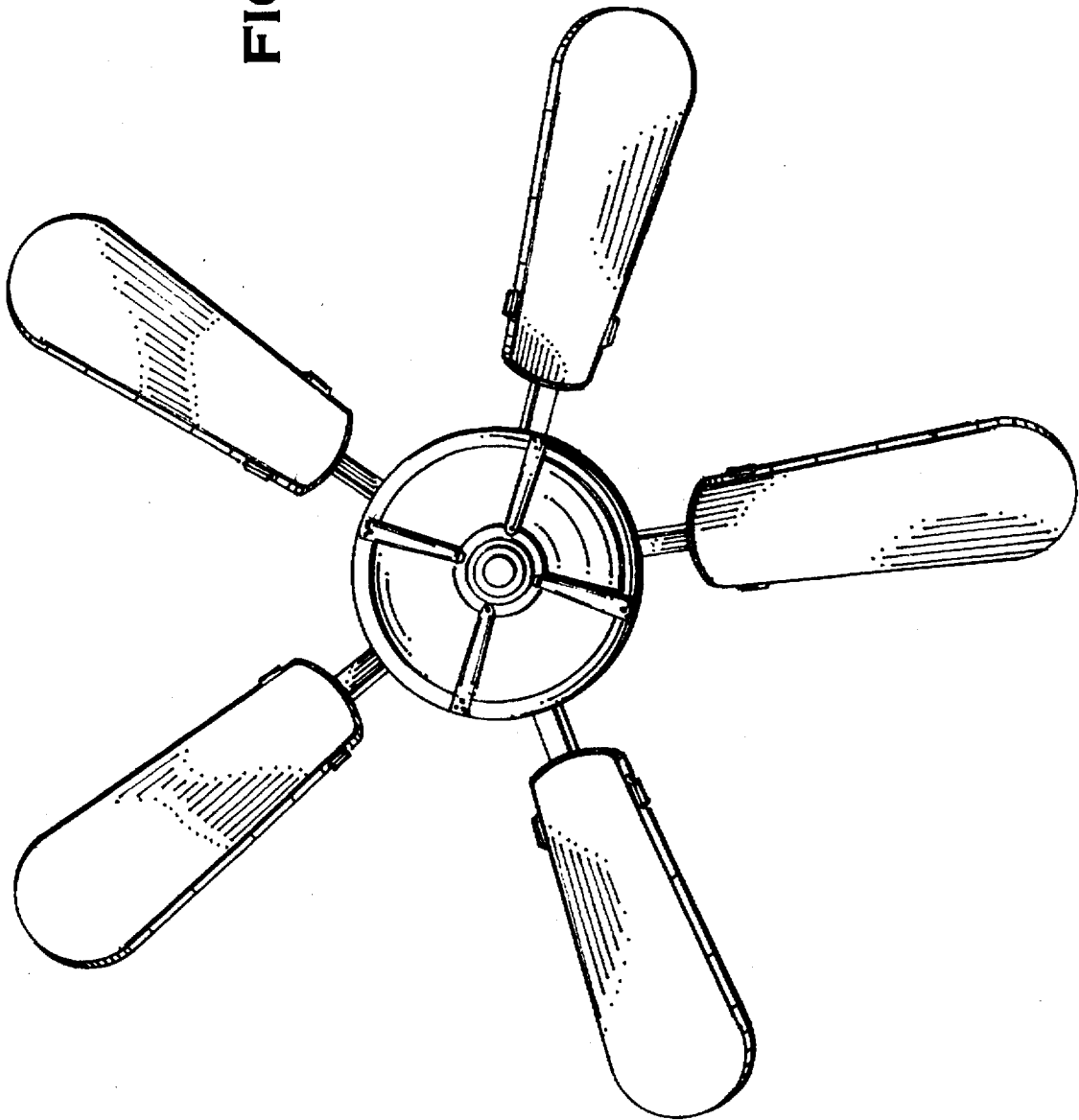


FIG. 1



**FIG. 2**

FIG. 3



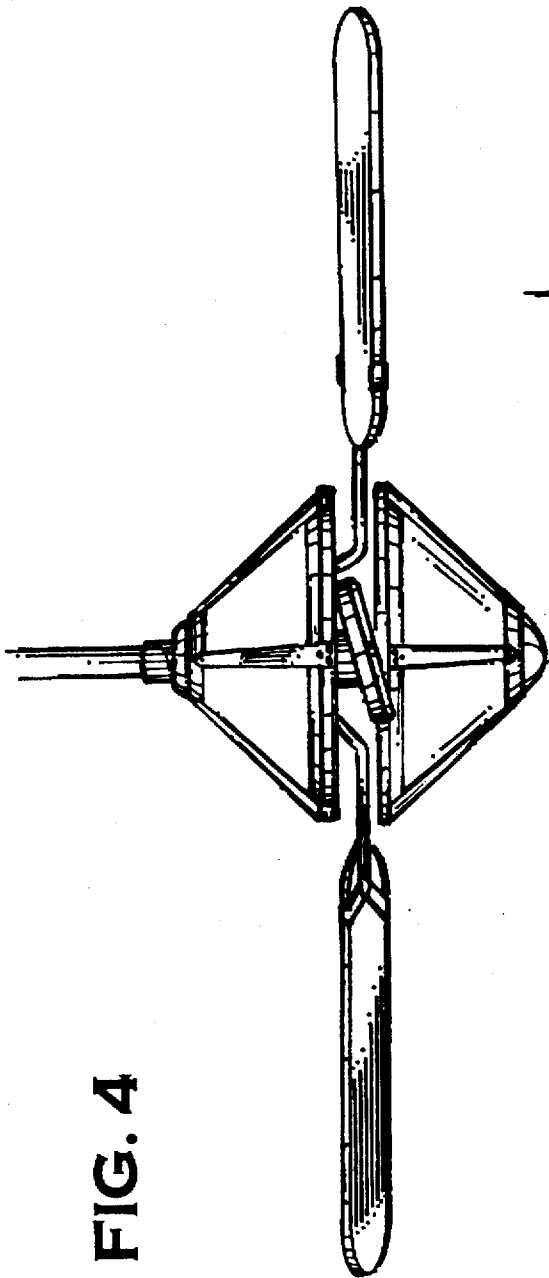


FIG. 4

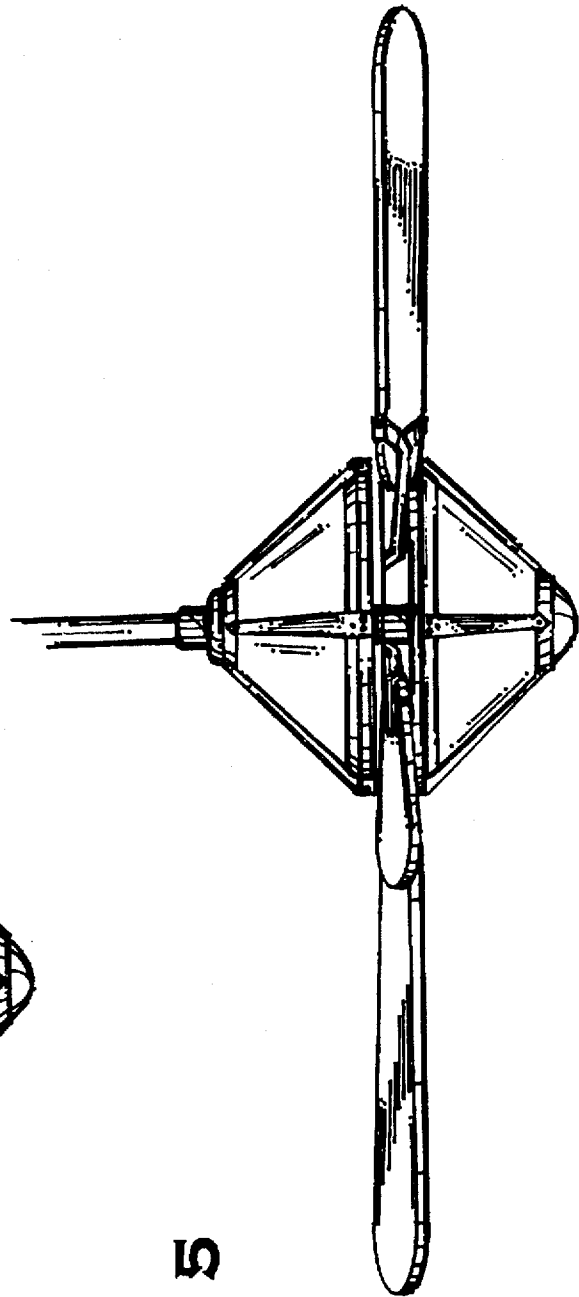


FIG. 5

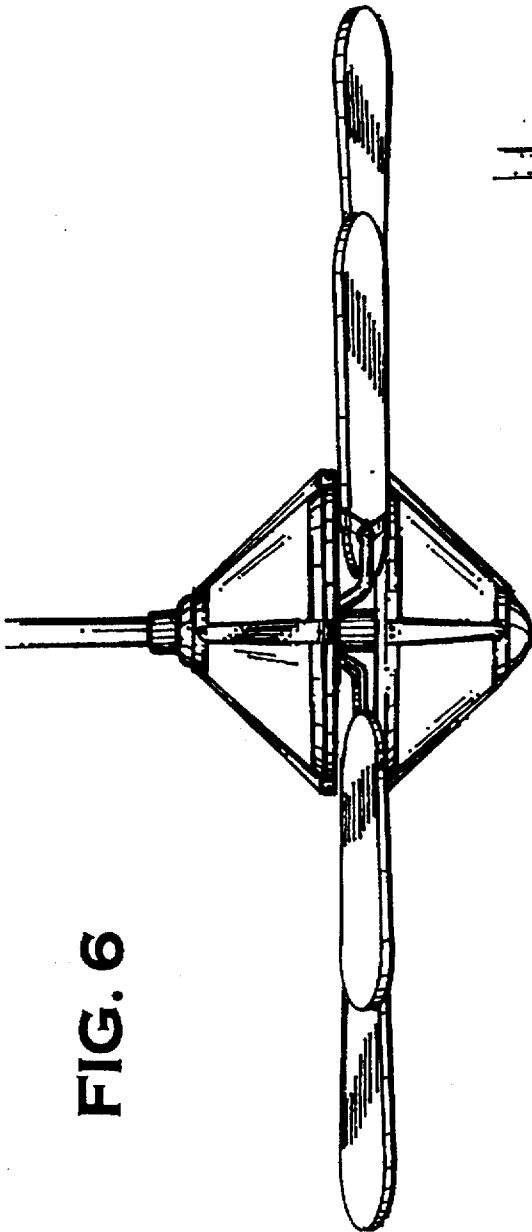


FIG. 6

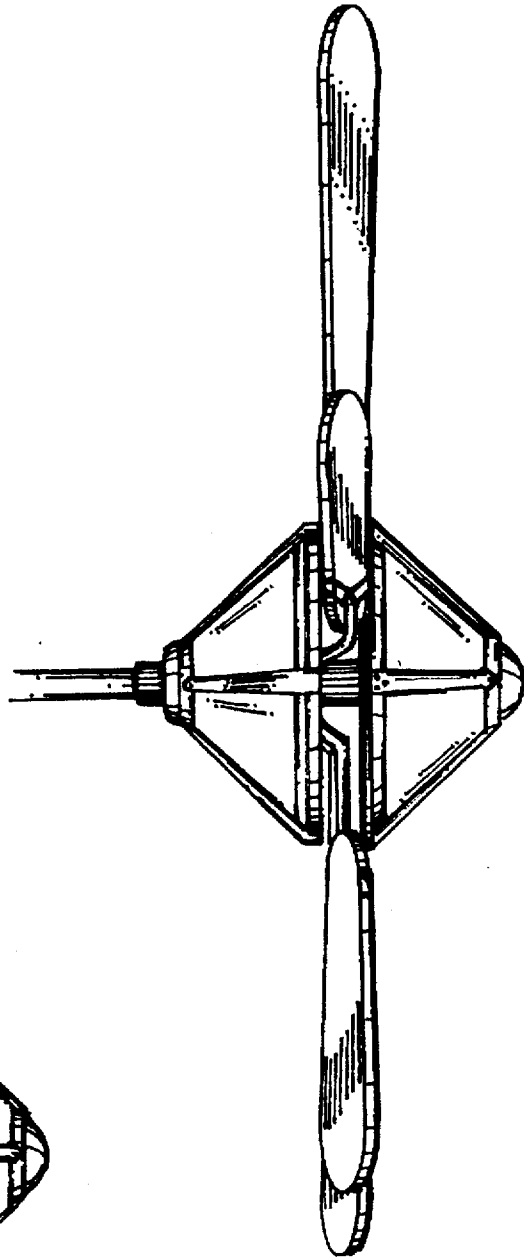


FIG. 7