



US00D662104S

(12) **United States Design Patent**
Brandt

(10) **Patent No.:** **US D662,104 S**

(45) **Date of Patent:** **** Jun. 19, 2012**

(54) **THIN ARTICULATING ARM ASSEMBLY FOR DISPLAY MOUNT**

(75) Inventor: **Jamie Brandt**, Shakopee, MN (US)

(73) Assignee: **Milestone AV Technologies LLC**, Eden Prairie, MN (US)

(**) Term: **14 Years**

(21) Appl. No.: **29/402,196**

(22) Filed: **Sep. 21, 2011**

(51) **LOC (9) Cl.** **08-07**

(52) **U.S. Cl.** **D14/452**

(58) **Field of Classification Search** D14/448, D14/451, 452, 457, 460, 461, 432, 439, 447, D14/127, 239, 373, 374, 377; D8/349, 354, D8/363, 373, 376, 380; 248/519, 534, 541, 248/58, 125.8, 127, 131, 133, 139, 176.1, 248/176.3, 188.5, 279.1, 333, 917, 918, 919, 248/920, 921, 922, 923, 924; 361/679.02, 361/679.04, 679.05, 679.06, 679.07, 679.09, 361/679.21, 679.22, 679.26, 679.3; 379/454, 379/455; 312/223.3; 348/825

See application file for complete search history.

(56) **References Cited**

U.S. PATENT DOCUMENTS

D562,113 S *	2/2008	Ciungan et al.	D8/363
D562,114 S *	2/2008	Chiu et al.	D8/363
D569,381 S *	5/2008	Sculler et al.	D14/452
D630,623 S *	1/2011	Molter et al.	D14/239
D631,038 S *	1/2011	Molter et al.	D14/239

D631,874 S *	2/2011	Molter et al.	D14/239
D634,739 S *	3/2011	Molter et al.	D14/239
D635,966 S *	4/2011	Molter et al.	D14/239
D638,023 S *	5/2011	Skull et al.	D14/452
D642,583 S *	8/2011	Dittmer et al.	D14/452
D646,685 S *	10/2011	Skull et al.	D14/452
D651,199 S *	12/2011	Huang	D14/239
2011/0315843 A1 *	12/2011	Hung	248/279.1

* cited by examiner

Primary Examiner — Angela J Lee

(74) *Attorney, Agent, or Firm* — Patterson Thuent Christensen Pedersen, P.A.

(57) **CLAIM**

The ornamental design for a thin articulating arm assembly for display mount, as shown and described.

DESCRIPTION

FIG. 1 is a front isometric view of a thin articulating arm assembly for display mount according to the invention; FIG. 2 is a front elevation view of the thin articulating arm assembly for display mount depicted in FIG. 1; FIG. 3 is a side elevation view of the thin articulating arm assembly for display mount depicted in FIG. 1; FIG. 4 is an opposing side elevation view of the thin articulating arm assembly for display mount depicted in FIG. 1; FIG. 5 is a top plan view of the thin articulating arm assembly for display mount depicted in FIG. 1; and, FIG. 6 is a bottom plan view of the thin articulating arm assembly for display mount depicted in FIG. 1.

The rear elevations of the mounts depicted in FIGS. 1-6 are not claimed, and hence are not depicted.

1 Claim, 6 Drawing Sheets

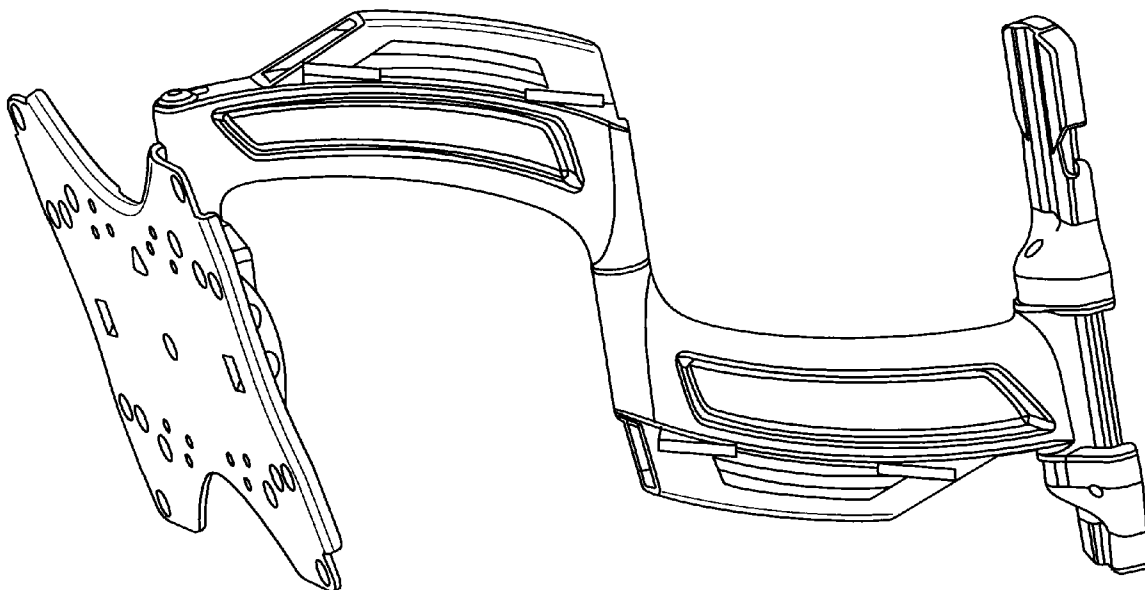


Fig. 1

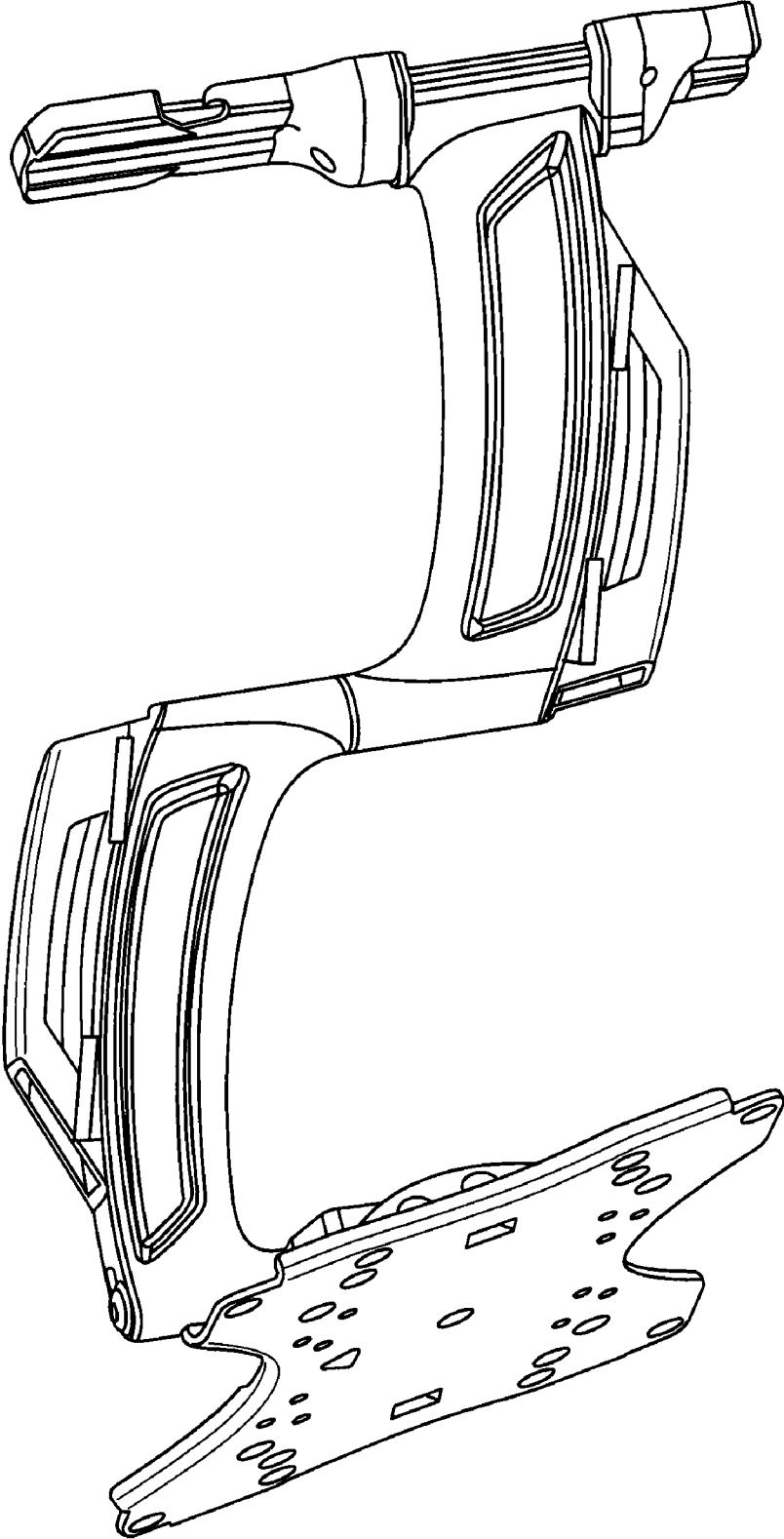


Fig. 2

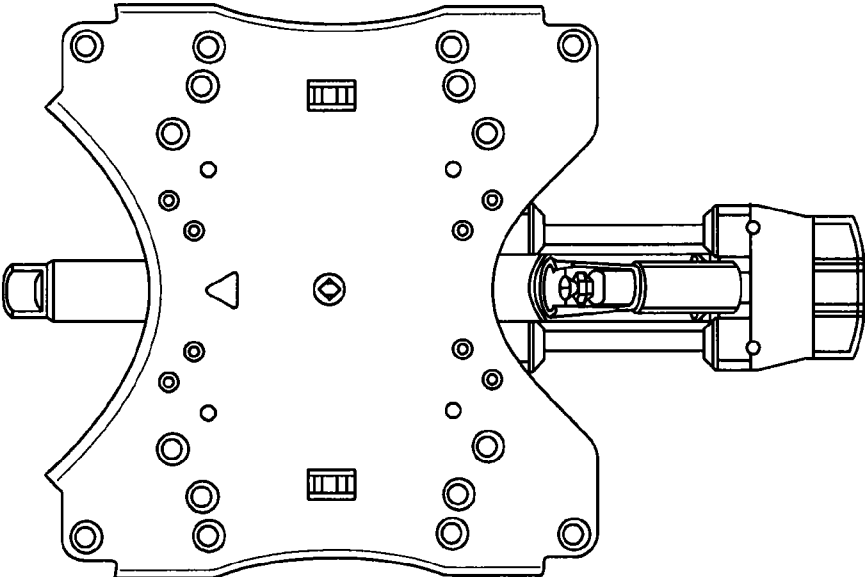


Fig. 3

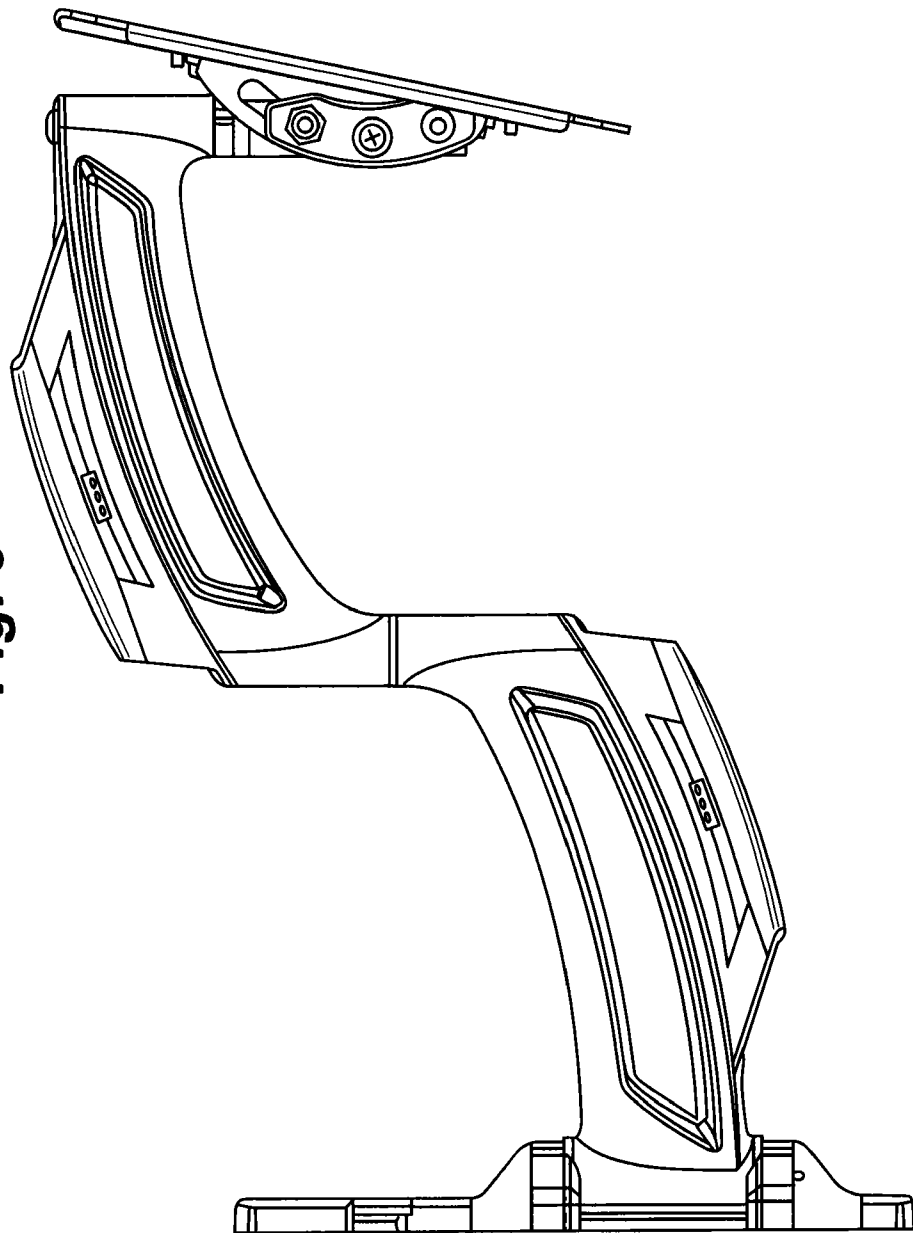


Fig. 4

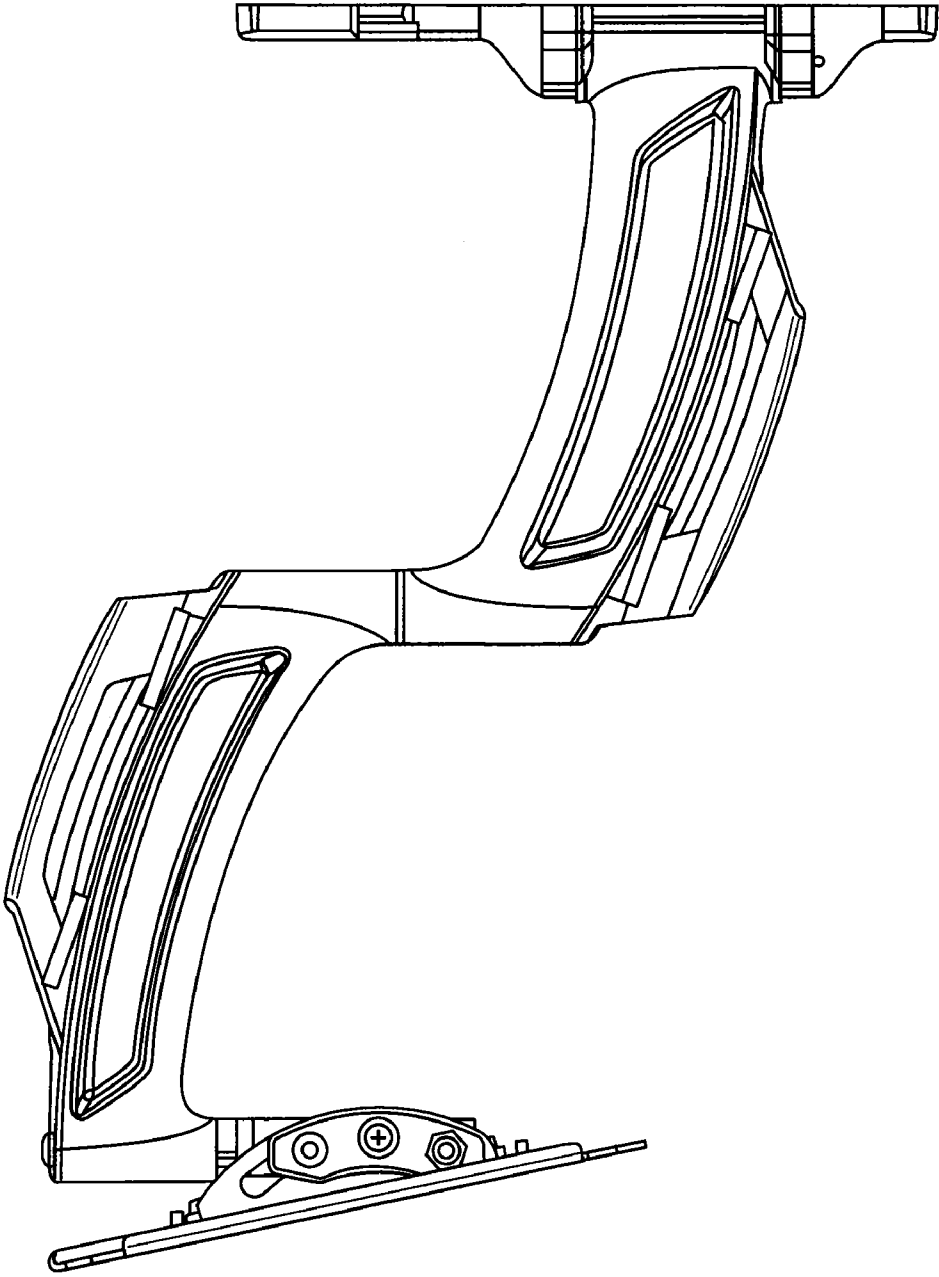
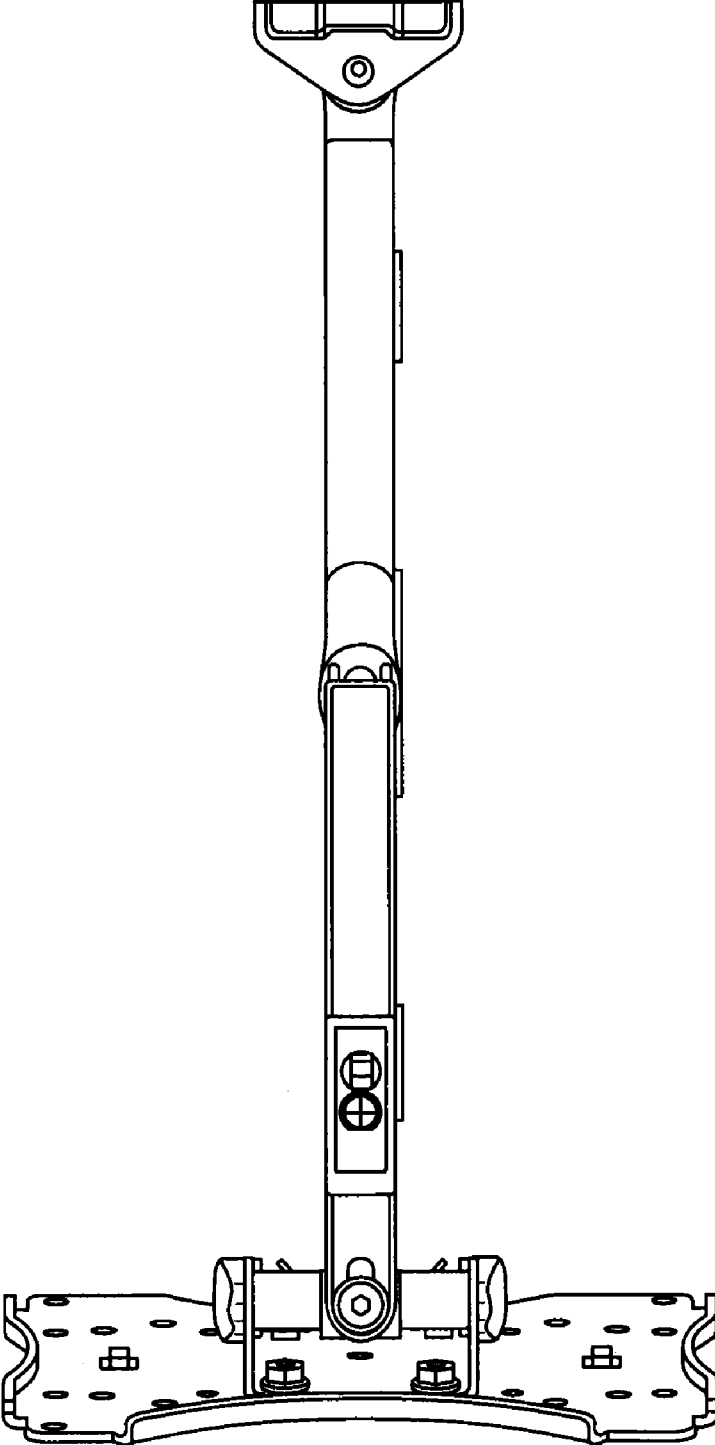


Fig. 5



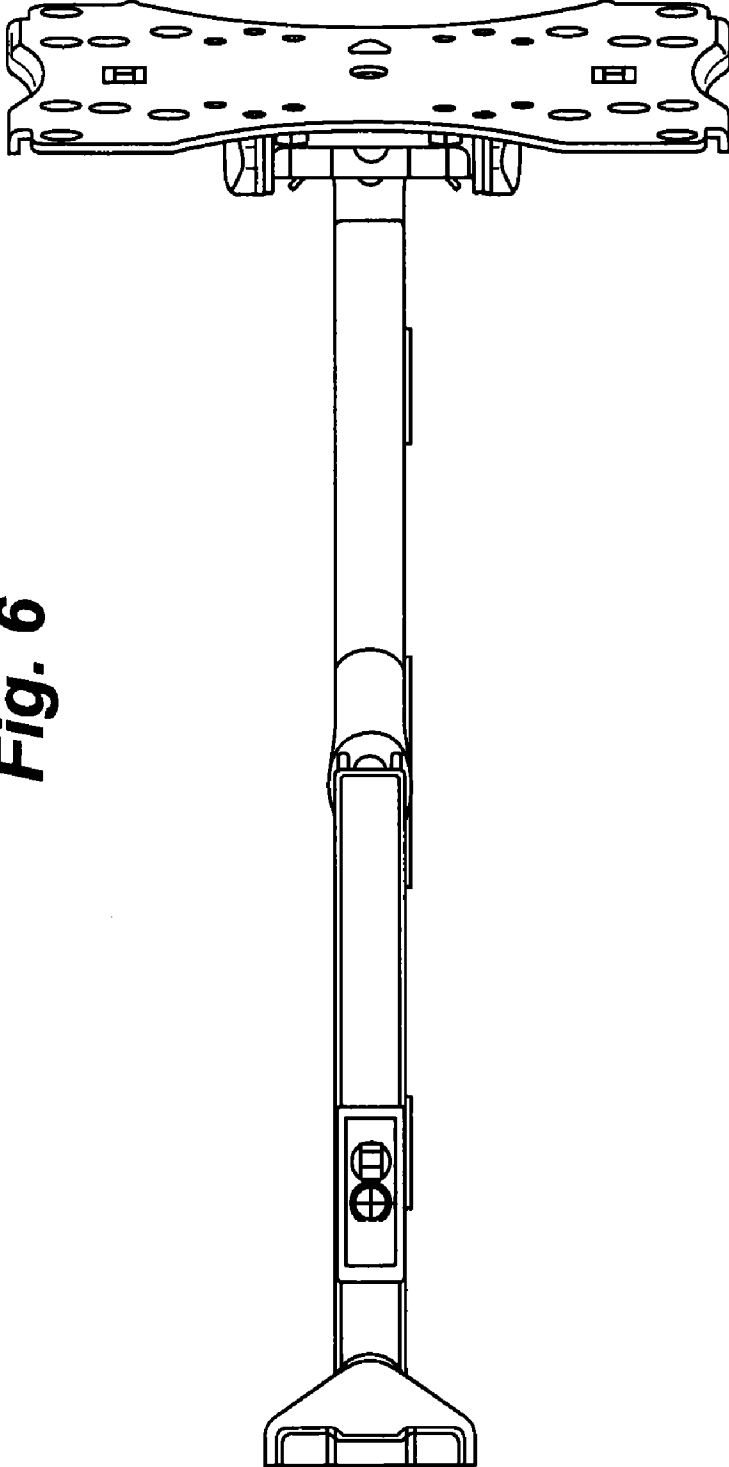


Fig. 6