



US00D964573S

(12) **United States Design Patent**  
**Fu**

(10) **Patent No.:** **US D964,573 S**

(45) **Date of Patent:** **\*\* Sep. 20, 2022**

(54) **WAIST TRAINER BELT**

(71) Applicant: **Haiying Fu**, Wuhan (CN)

(72) Inventor: **Haiying Fu**, Wuhan (CN)

(\*\*) Term: **15 Years**

(21) Appl. No.: **29/829,045**

(22) Filed: **Mar. 2, 2022**

(51) **LOC (13) Cl.** ..... **24-01**

(52) **U.S. Cl.**  
USPC ..... **D24/190**

(58) **Field of Classification Search**  
USPC ..... D24/188-192, 128; D29/101.1-101.5;  
D34/28

CPC .. A61F 5/028; A61F 5/03; A61F 5/024; A61F  
5/0193; A61F 5/02; A61F 5/026; A61F  
5/0118; A61F 5/022; A61F 5/30; A61F  
5/0106; A61F 5/055; A61F 7/02; A61F  
2007/0001; A61F 2250/001; A61G  
2200/34; A61G 2200/36; A61G 7/1046;  
A61G 7/1051; A61G 7/1038; A61G 5/14;  
A63B 21/0552; A63B 21/0557; A63B  
21/4035; A63B 21/0442; A63B 21/4043;  
A63B 21/1663; A63B 27/00

See application file for complete search history.

(56) **References Cited**

**U.S. PATENT DOCUMENTS**

3,441,027 A \* 4/1969 Lehman ..... A41C 1/08  
450/154  
3,570,480 A \* 3/1971 Stubbs ..... A61F 5/03  
450/154  
D242,173 S \* 11/1976 Evans ..... D24/190  
D242,174 S \* 11/1976 Evans ..... D30/138  
D242,290 S \* 11/1976 Evans ..... D24/190  
D273,331 S \* 4/1984 Gruber ..... D24/190  
D278,657 S \* 4/1985 Nakao ..... A61F 5/028  
D2/702

D349,767 S \* 8/1994 Courtet ..... D24/190  
D353,890 S \* 12/1994 McKeel ..... D24/190  
D375,186 S \* 11/1996 Kim ..... D29/100  
5,591,122 A \* 1/1997 Yewer, Jr. .... A61F 5/028  
128/100.1  
5,820,575 A \* 10/1998 Cabrera ..... A61F 5/028  
128/100.1  
5,833,638 A \* 11/1998 Nelson ..... A61F 5/028  
602/19  
6,080,121 A \* 6/2000 Madow ..... A61F 5/028  
602/5  
D437,416 S \* 2/2001 Slautterback ..... D24/190  
(Continued)

**FOREIGN PATENT DOCUMENTS**

CN 303220215 \* 5/2015

*Primary Examiner* — T Chase Nelson

*Assistant Examiner* — Kelly L Gross

(74) *Attorney, Agent, or Firm* — ScienBiziP, P.C.

(57) **CLAIM**

The ornamental design for a waist trainer belt, as shown and described.

**DESCRIPTION**

FIG. 1 is a front, right and top perspective view of a waist trainer belt, showing my design.

FIG. 2 is a rear, left and bottom perspective view thereof.

FIG. 3 is a front elevation view thereof.

FIG. 4 is a rear elevation view thereof.

FIG. 5 is a left side elevation view thereof.

FIG. 6 is a right side elevation view thereof.

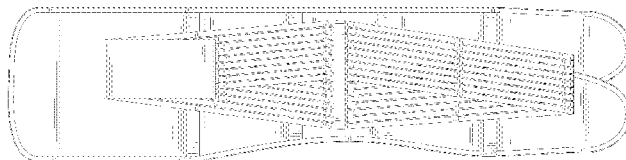
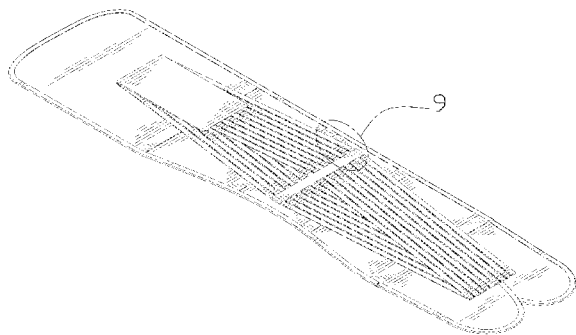
FIG. 7 is a top plan view thereof.

FIG. 8 is a bottom plan view thereof; and,

FIG. 9 is a partial enlarged view of an area labeled 9 in FIG. 1 comprising straps.

The dot-dash lines in FIGS. 1 and 9 are for the purpose of depicting the boundary lines of the enlarged view and form no part of the claimed design.

**1 Claim, 9 Drawing Sheets**



(56)

## References Cited

## U.S. PATENT DOCUMENTS

6,342,044	B1 *	1/2002	Frangi	.....	A61F 5/028				
					602/65				
D468,020	S *	12/2002	Hoffman	.....	D24/190				
D496,108	S *	9/2004	Machin	.....	D24/190				
D499,846	S *	12/2004	Cesko	.....	D29/101.5				
6,921,375	B2 *	7/2005	Kihara	.....	A61F 5/028				
					2/322				
D601,705	S *	10/2009	Bauerfeind	.....	D24/189				
D625,019	S *	10/2010	Chiang	.....	D24/190				
D626,244	S *	10/2010	Sagnip	.....	D24/190				
D628,300	S *	11/2010	Caden	.....	D24/190				
D633,622	S *	3/2011	Chiang	.....	D24/190				
D638,948	S *	5/2011	Janzon	.....	D24/190				
D650,485	S *	12/2011	Jaccard	.....	D24/190				
D652,992	S *	1/2012	Chen	.....	D29/101.5				
D654,180	S *	2/2012	Weaver, II	.....	D24/190				
D657,062	S *	4/2012	Chiang	.....	D24/190				
D657,063	S *	4/2012	Chiang	.....	D24/190				
D660,439	S *	5/2012	Chen	.....	D24/190				
D661,402	S *	6/2012	Chen	.....	D24/190				
D662,213	S *	6/2012	Quisenberry	.....	D24/206				
D695,902	S *	12/2013	Daniels	.....	D24/206				
D713,536	S *	9/2014	Fareed	.....	D24/192				
D717,453	S *	11/2014	Mahtani	.....	D24/190				
D728,804	S *	5/2015	Hansen	.....	D24/190				
9,161,854	B2 *	10/2015	Fruscione-Loizides	.....					
					A61F 13/145				
D749,230	S *	2/2016	Safko	.....	D24/190				
D752,233	S *	3/2016	Fruscione-Loizides	.....	D24/190				
9,452,100	B2 *	9/2016	Bigelow	.....	A41C 1/08				
9,579,237	B2 *	2/2017	Hansen	.....	A61F 13/148				
D784,546	S *	4/2017	Gordon	.....	D24/190				
D789,546	S *	6/2017	Matfus	.....	D24/190				
D789,547	S *	6/2017	Matfus	.....	D24/190				
D794,809	S *	8/2017	Gramza	.....	D24/190				
D812,236	S *	3/2018	Burke	.....	D24/190				
D813,320	S *	3/2018	Delarosa	.....	D21/662				
D831,221	S *	10/2018	Smith	.....	D24/190				
D833,024	S *	11/2018	Chang	.....	D24/190				
D860,466	S *	9/2019	Chiang	.....	D24/190				
D875,261	S *	2/2020	Liu	.....	D24/190				
D881,515	S *	4/2020	Mei	.....	D2/702				
D884,198	S *	5/2020	Mei	.....	D24/190				
D884,199	S	5/2020	Mei	.....					
D884,200	S *	5/2020	Mei	.....	D24/190				
10,736,766	B2 *	8/2020	Booker	.....	A61H 9/0078				
D905,929	S *	12/2020	Liang	.....	D2/702				
D910,859	S *	2/2021	Mei	.....	D24/190				
D913,629	S *	3/2021	Liang	.....	D2/702				
D913,630	S *	3/2021	Mei	.....	D2/702				
D914,889	S *	3/2021	Langberg	.....	D2/702				
D914,890	S *	3/2021	Langberg	.....	D2/702				
D914,891	S *	3/2021	Langberg	.....	D2/702				
D916,298	S *	4/2021	Langberg	.....	D2/702				
D917,054	S *	4/2021	Woo	.....	D24/190				
D918,403	S *	5/2021	Chen	.....	D24/190				
D928,453	S *	8/2021	Lin	.....	D2/702				
D929,598	S *	8/2021	Zulkosky	.....	D24/190				
D933,333	S *	10/2021	Xu	.....	D24/190				
D937,427	S	11/2021	Li	.....					
D941,573	S *	1/2022	Goldstein	.....	D3/222				
D946,156	S *	3/2022	Rokitta	.....	D24/190				
D947,391	S *	3/2022	Chen	.....	D24/190				
D953,550	S *	5/2022	Li	.....	D24/206				
D957,654	S *	7/2022	Savchuk	.....	D24/190				
2010/0049109	A1 *	2/2010	Stewart, III	.....	A61F 5/028				
					128/95.1				
2021/0282473	A1 *	9/2021	Cristiani	.....	A41D 13/0015				

\* cited by examiner

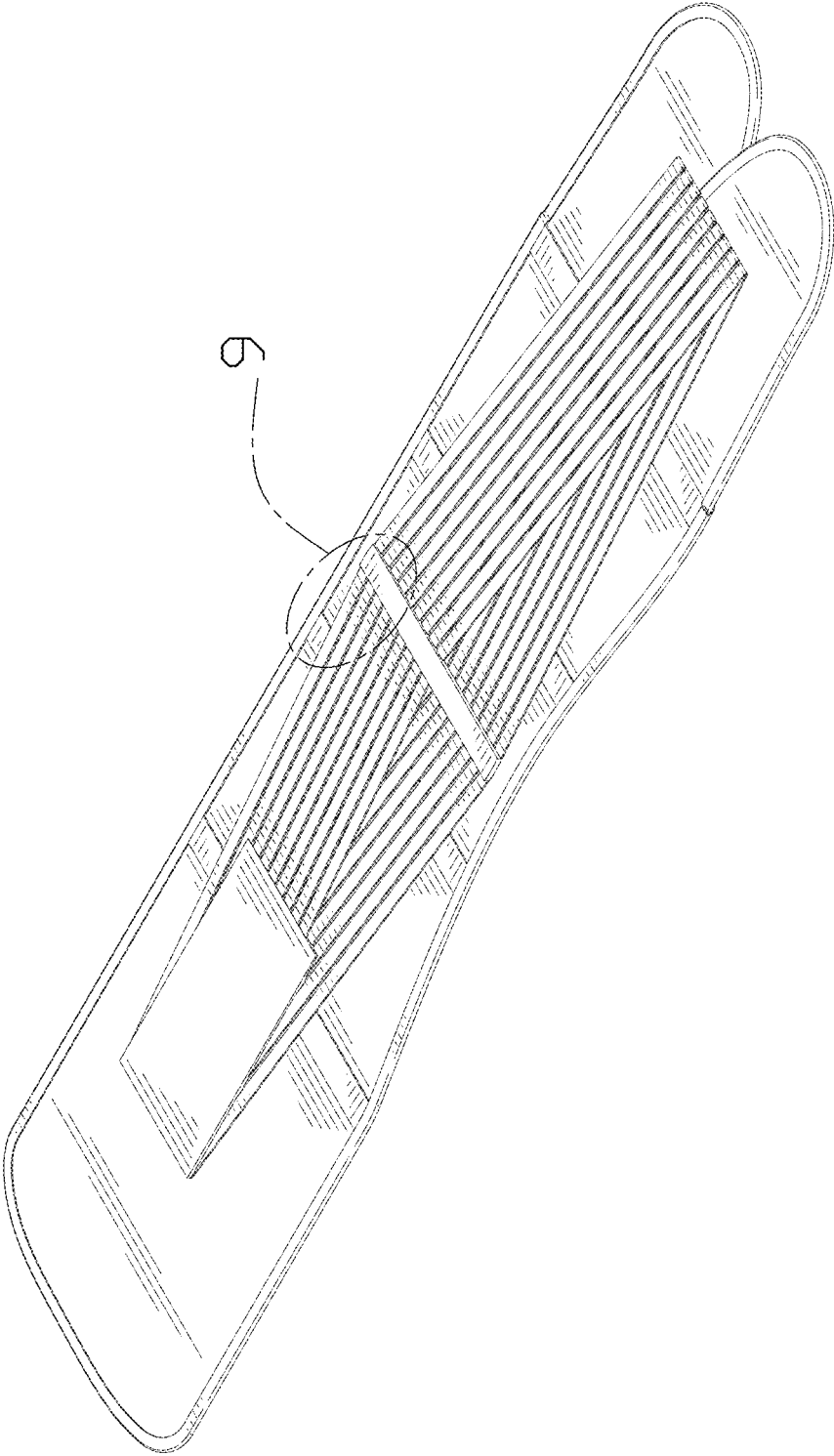


FIG. 1

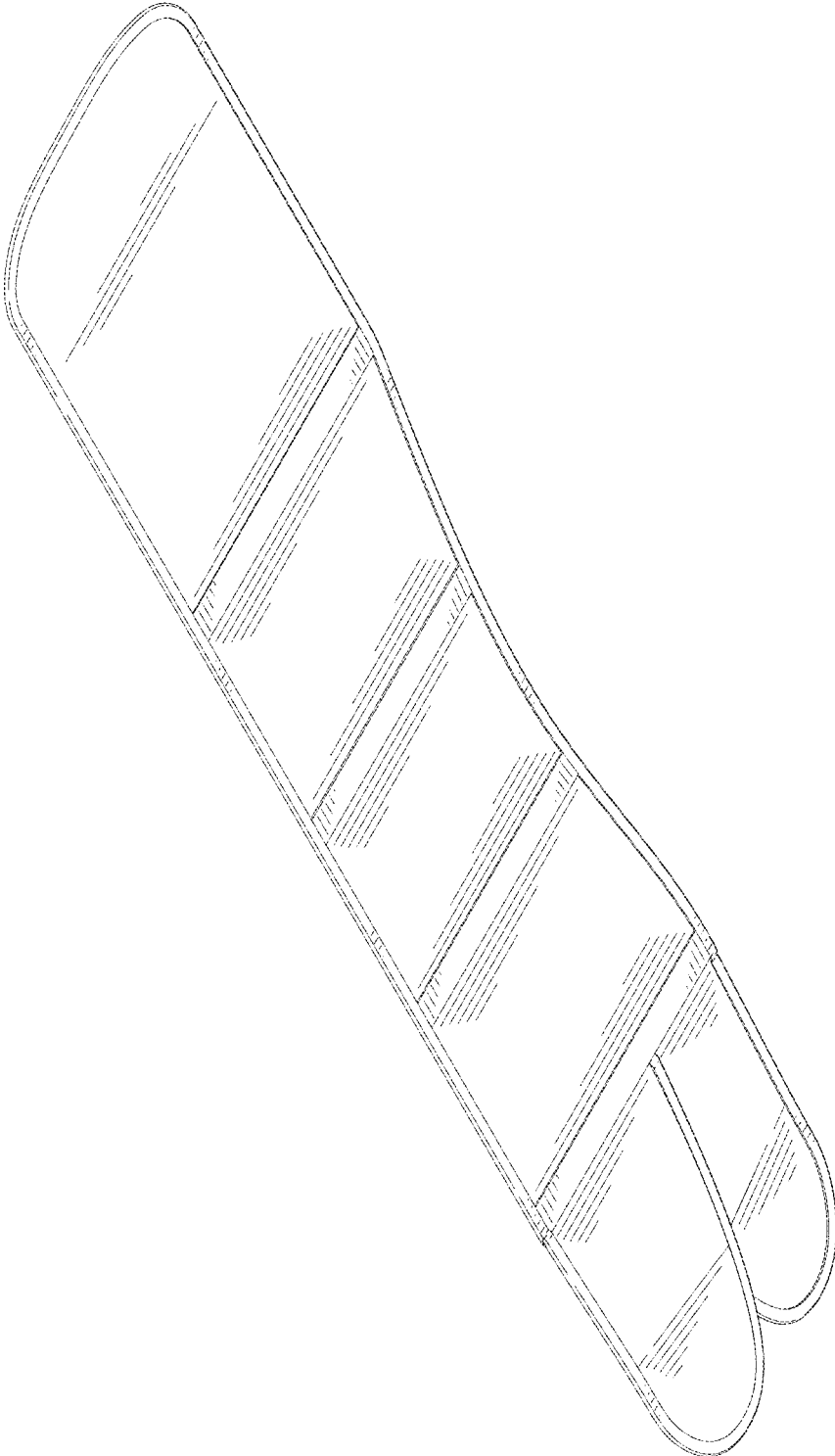


FIG. 2



FIG. 3



FIG. 4



FIG. 5



FIG. 6



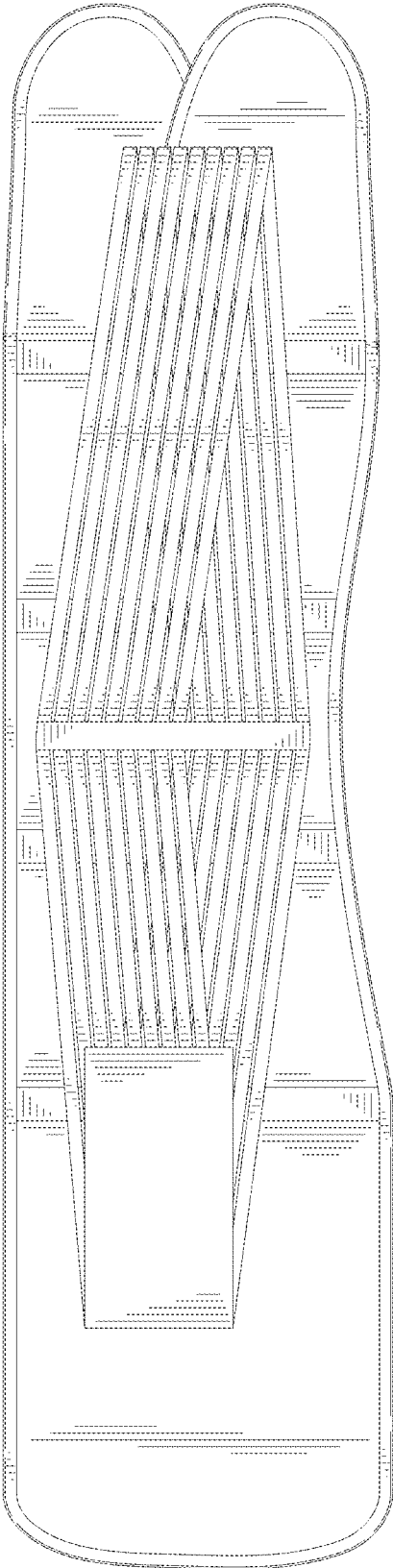


FIG. 7

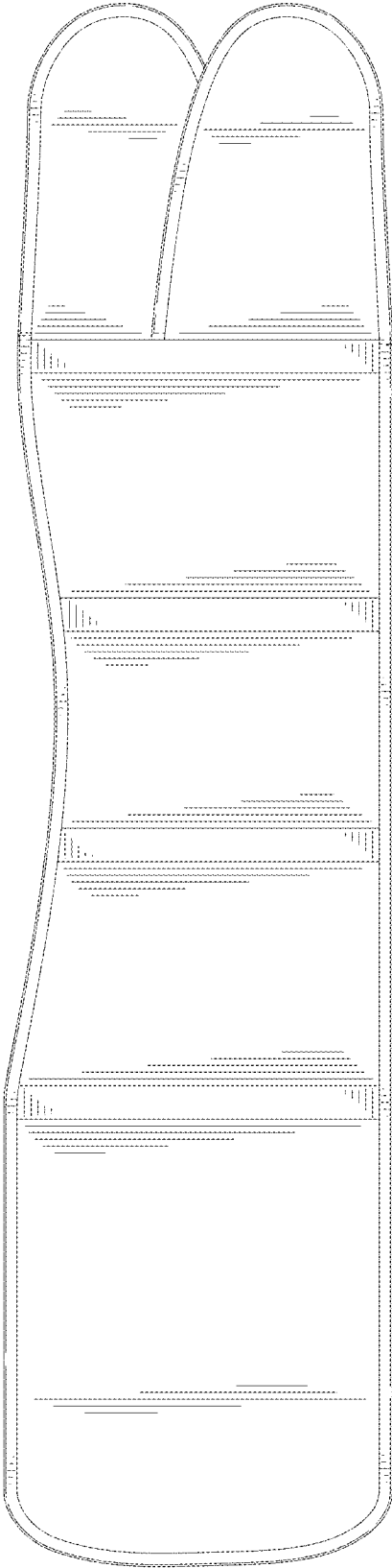


FIG. 8

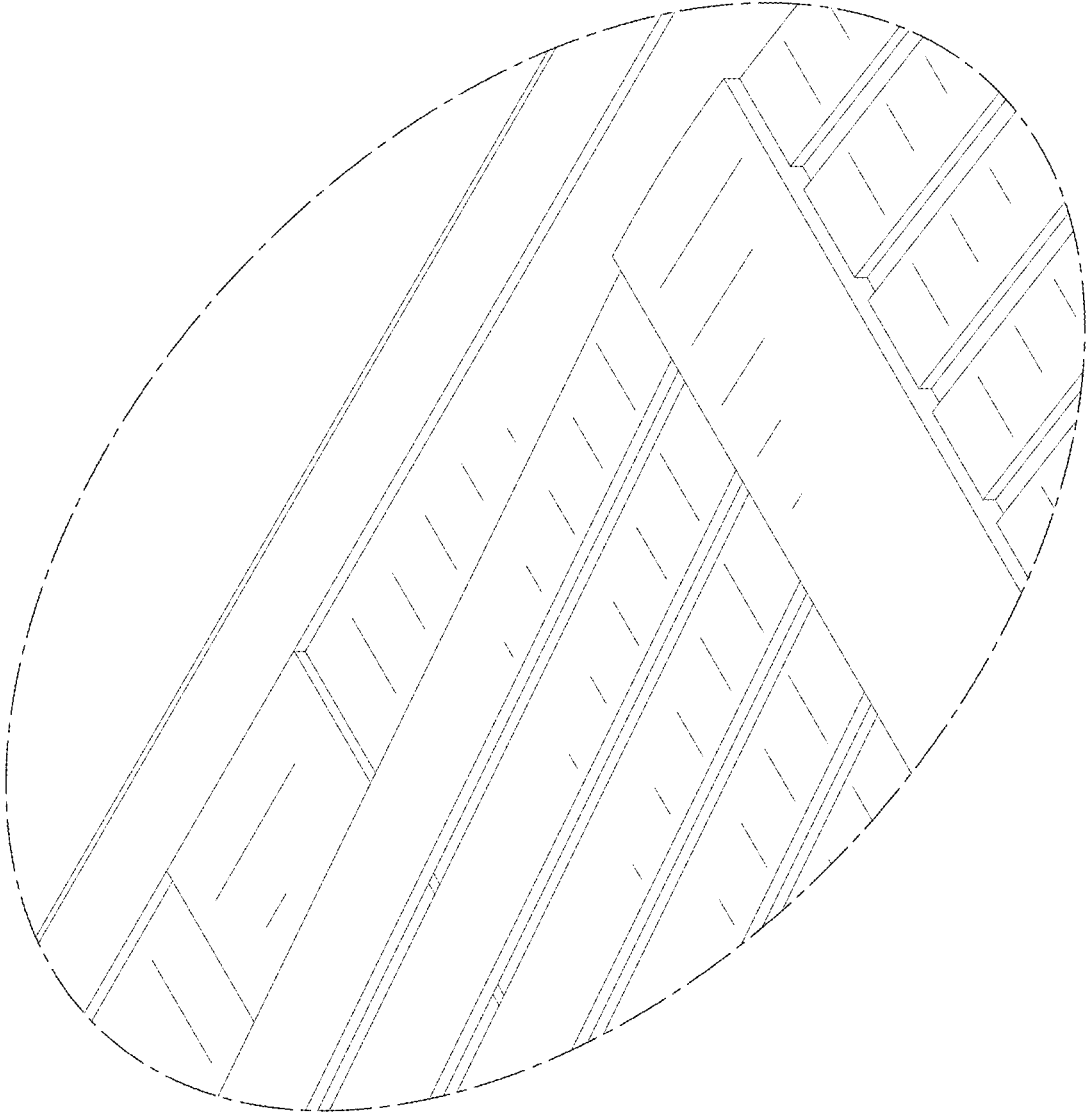


FIG. 9