



US00D895305S

(12) **United States Design Patent**  
**Yang**

(10) **Patent No.:** **US D895,305 S**

(45) **Date of Patent:** **\*\* Sep. 8, 2020**

(54) **MAKEUP MIRROR**

D879,481 S	3/2020	Yang	
D879,482 S	3/2020	Yang	
D880,774 S *	4/2020	Babayayn	A47G 1/02
			D28/64.6
2013/0235607 A1*	9/2013	Yang	A47G 1/02
			362/551

(71) Applicant: **DONGGUAN POWERME PLASTIC MFG. CO., LTD.**, Dongguan (CN)

(72) Inventor: **Guowei Yang**, Dongguan (CN)

(73) Assignee: **DONGGUAN POWERME PLASTIC MFG. CO., LTD.**, Dongguan (CN)

(\*\*) Term: **15 Years**

(21) Appl. No.: **29/733,842**

(22) Filed: **May 7, 2020**

(51) **LOC (12) Cl.** ..... **06-07**

(52) **U.S. Cl.**  
USPC ..... **D6/309**; D6/308; D6/312

(58) **Field of Classification Search**  
USPC ..... D6/300–314; D28/64.1, 64.6  
CPC ... A47G 1/00; A47G 1/02; A47G 1/14; A47G 1/24; A47G 2001/002; A47G 2001/0056; A47G 2001/007; A45D 42/00; A45D 42/10; A45D 42/12; A45D 42/16; A45D 42/24; F21V 21/26; F21V 21/30; F21V 3/00; F21V 3/004; G09F 15/0056; B60J 3/0282; G09B 19/00; B62B 9/005; G02B 7/198

See application file for complete search history.

(56) **References Cited**

**U.S. PATENT DOCUMENTS**

D262,026 S *	11/1981	Garan	.....	D14/240
D869,863 S *	12/2019	Liu	.....	D6/310

**OTHER PUBLICATIONS**

Urbanest Formosa 8-inch Tabletop Double-sided LED Lighted Vanity Mirror—Pinterest <https://www.pinterest.com/pin/396527942178033279/> retrieved from the internet on Jul. 22, 2020.\*

\* cited by examiner

*Primary Examiner* — Mary Ann Calabrese

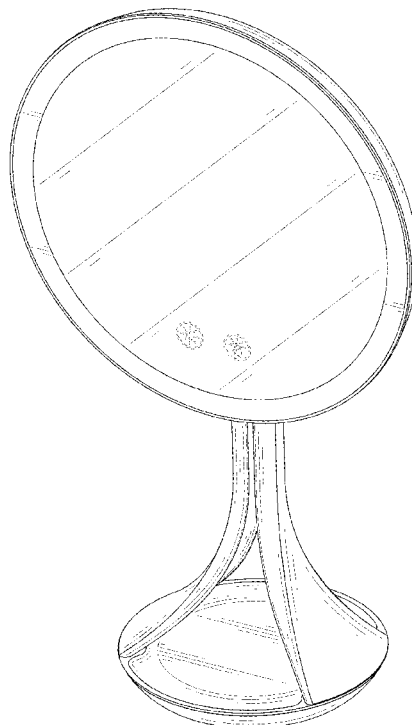
(57) **CLAIM**

The ornamental design for a makeup mirror, as shown and described.

**DESCRIPTION**

FIG. 1 is a front perspective view of a makeup mirror showing my new design;  
FIG. 2 is a rear perspective view thereof;  
FIG. 3 is a front elevational view thereof;  
FIG. 4 is a rear elevational view thereof;  
FIG. 5 is a left side elevational view thereof;  
FIG. 6 is a right side elevational view thereof;  
FIG. 7 is a top plan view thereof; and,  
FIG. 8 is a bottom plan view thereof.  
The broken lines in the drawings depict portions of the makeup mirror that form no part of the claimed design.

**1 Claim, 8 Drawing Sheets**



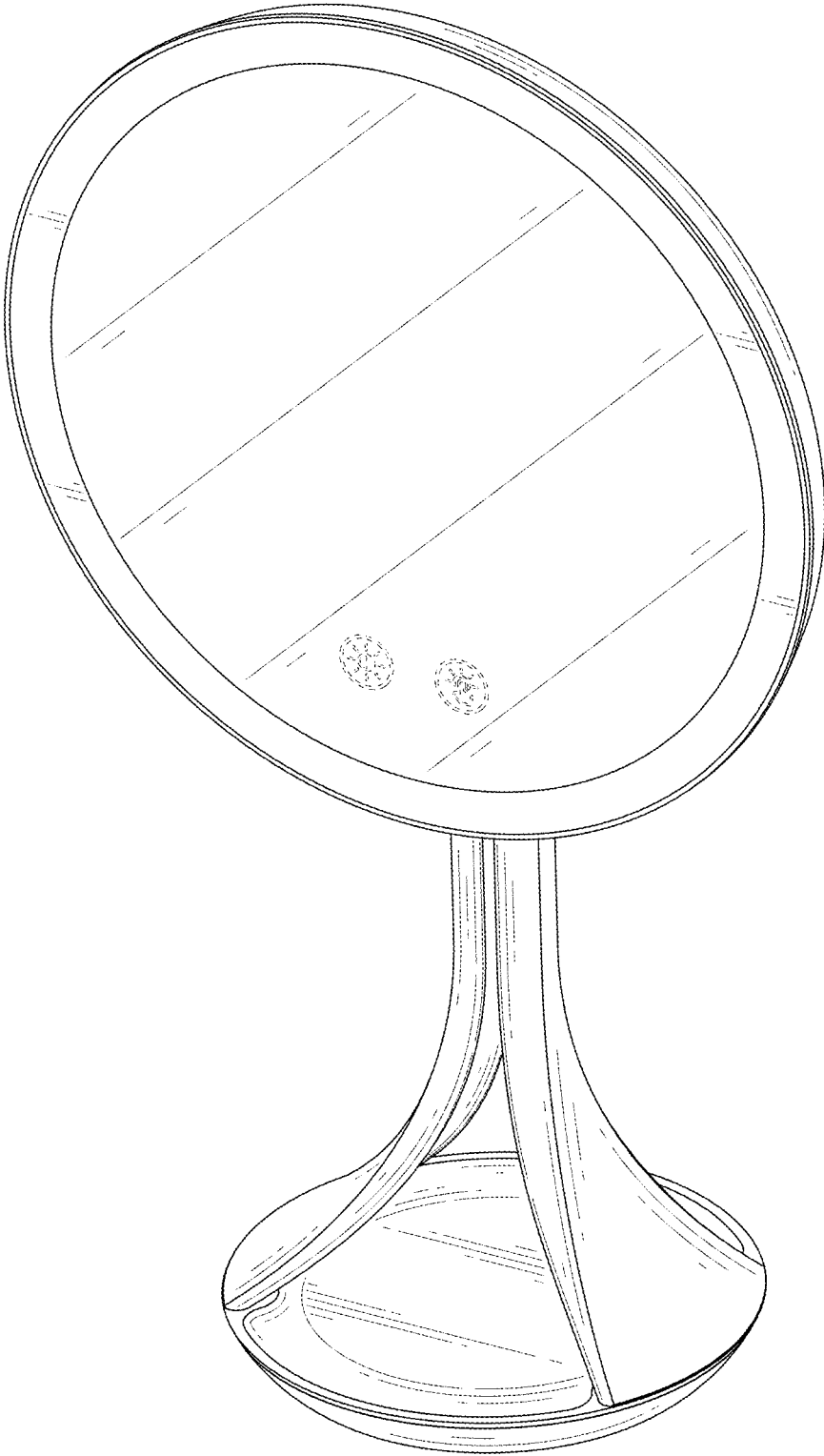


FIG. 1

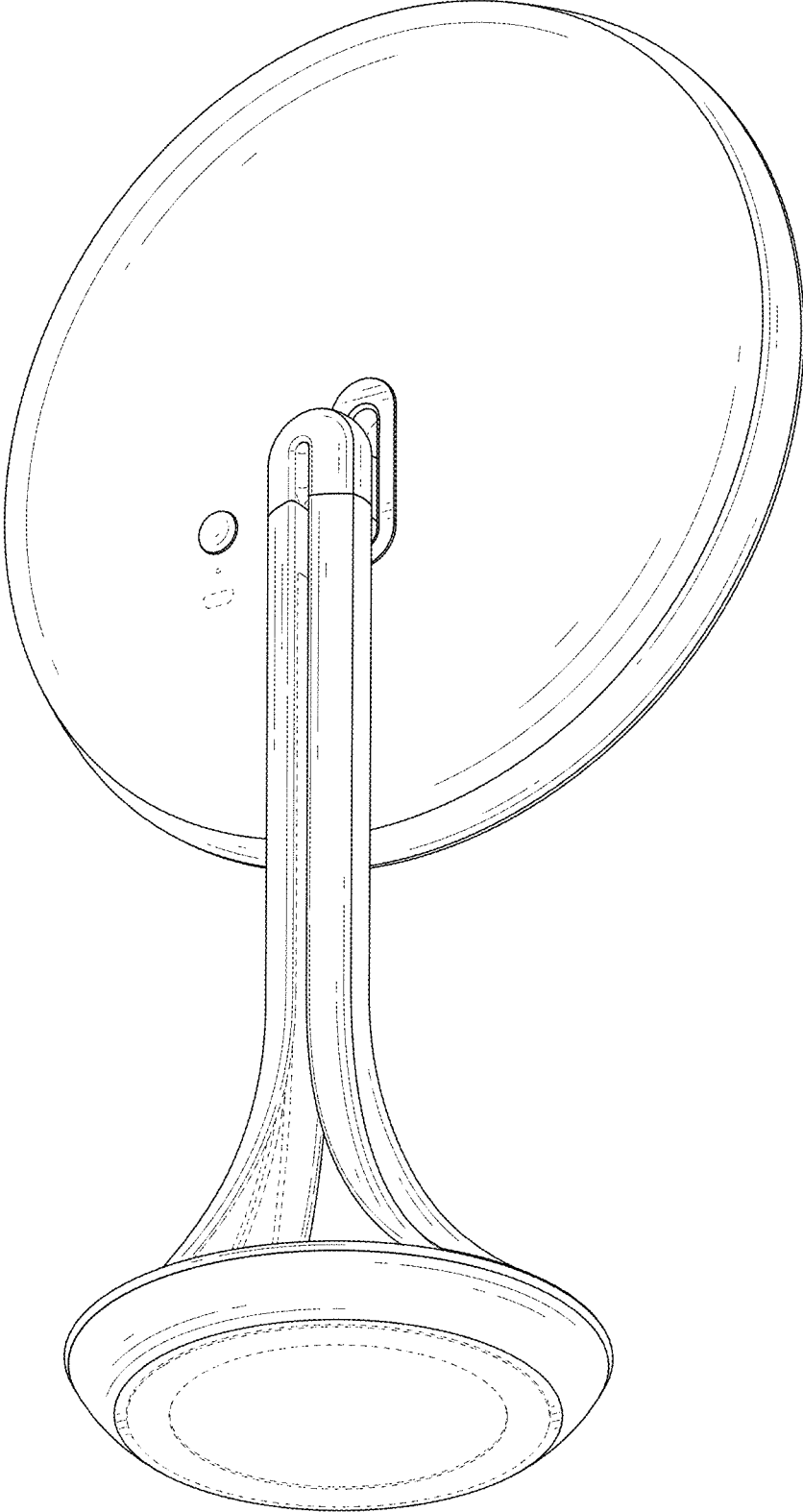


FIG. 2

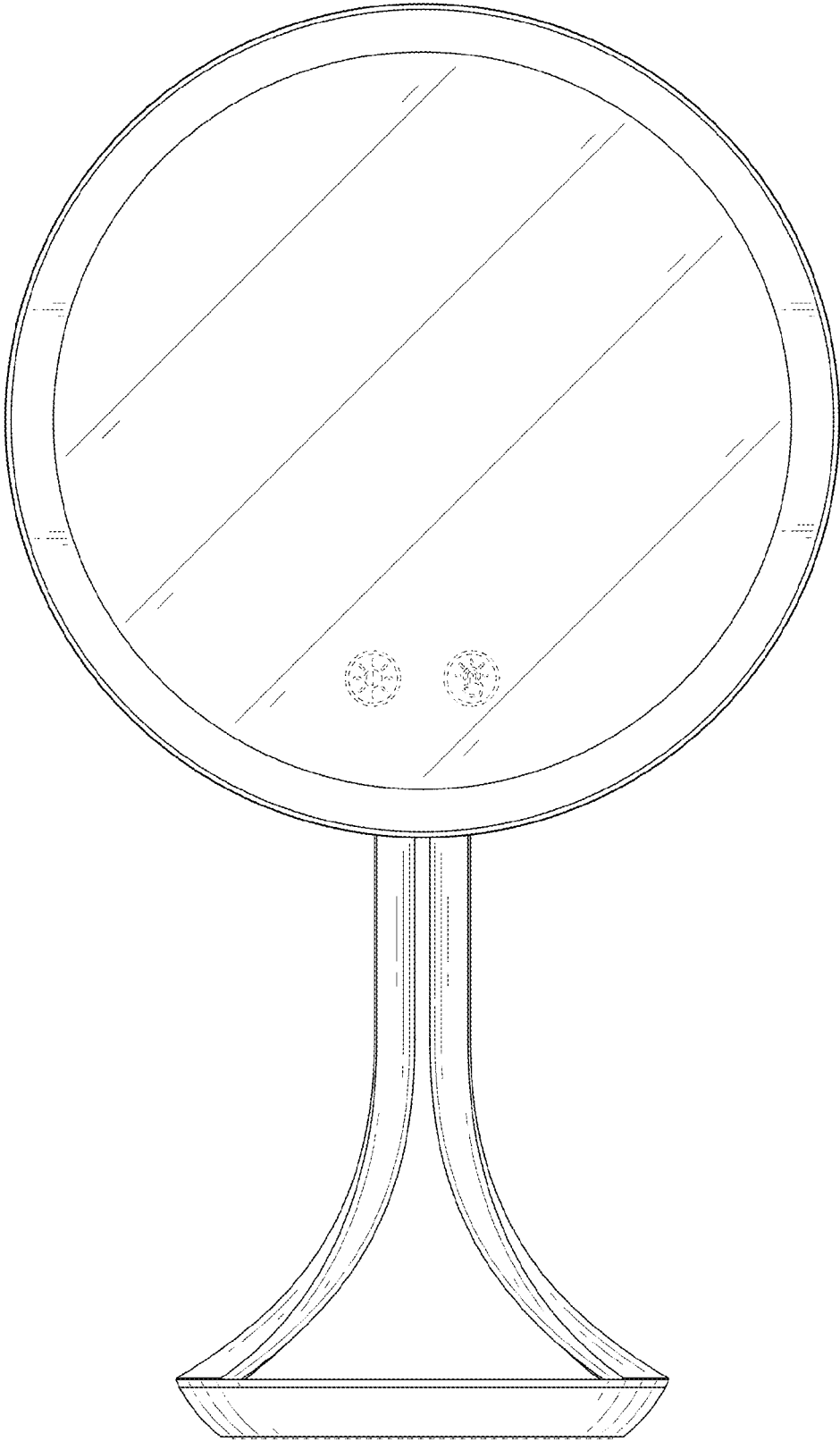


FIG. 3

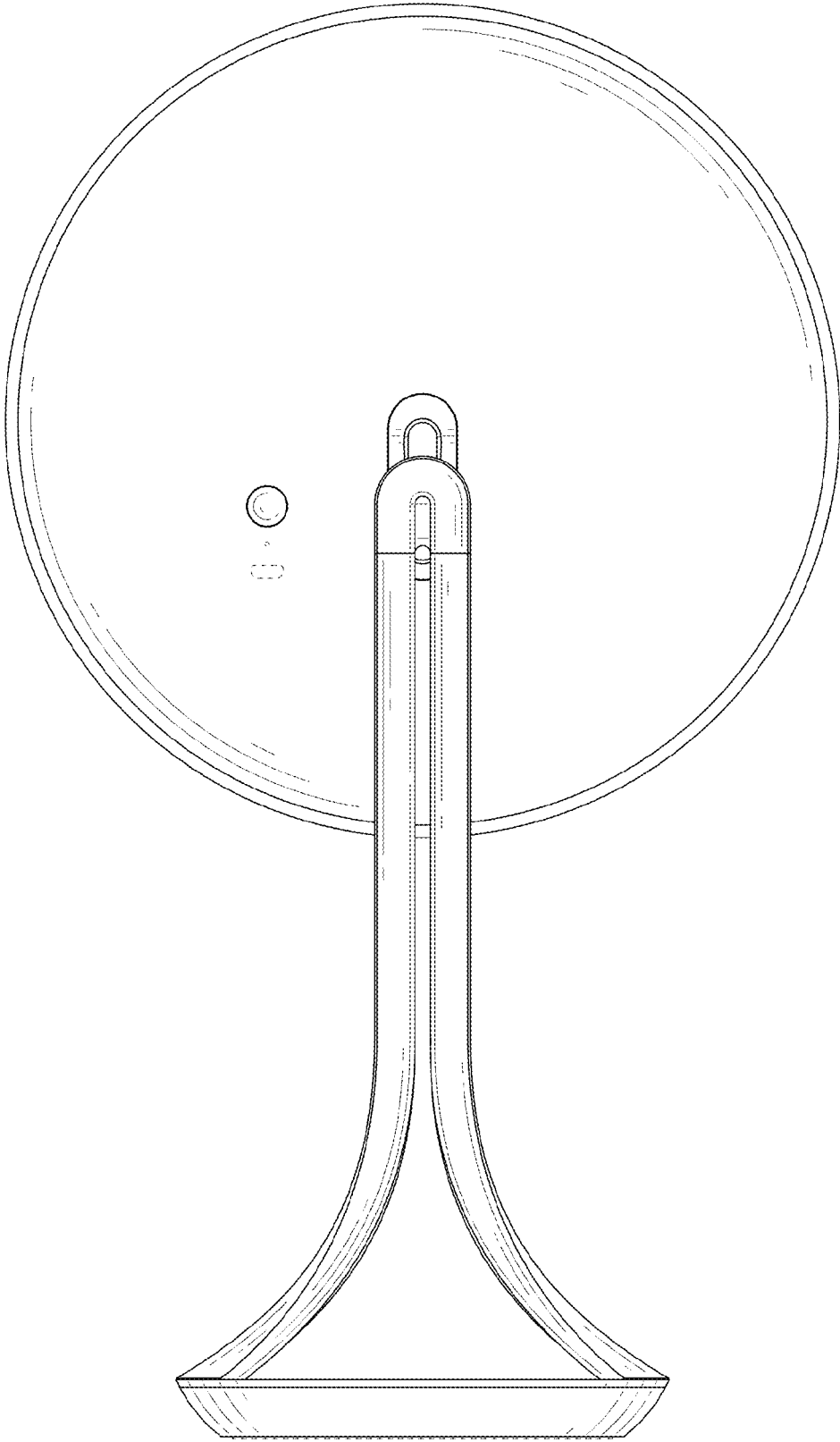


FIG. 4

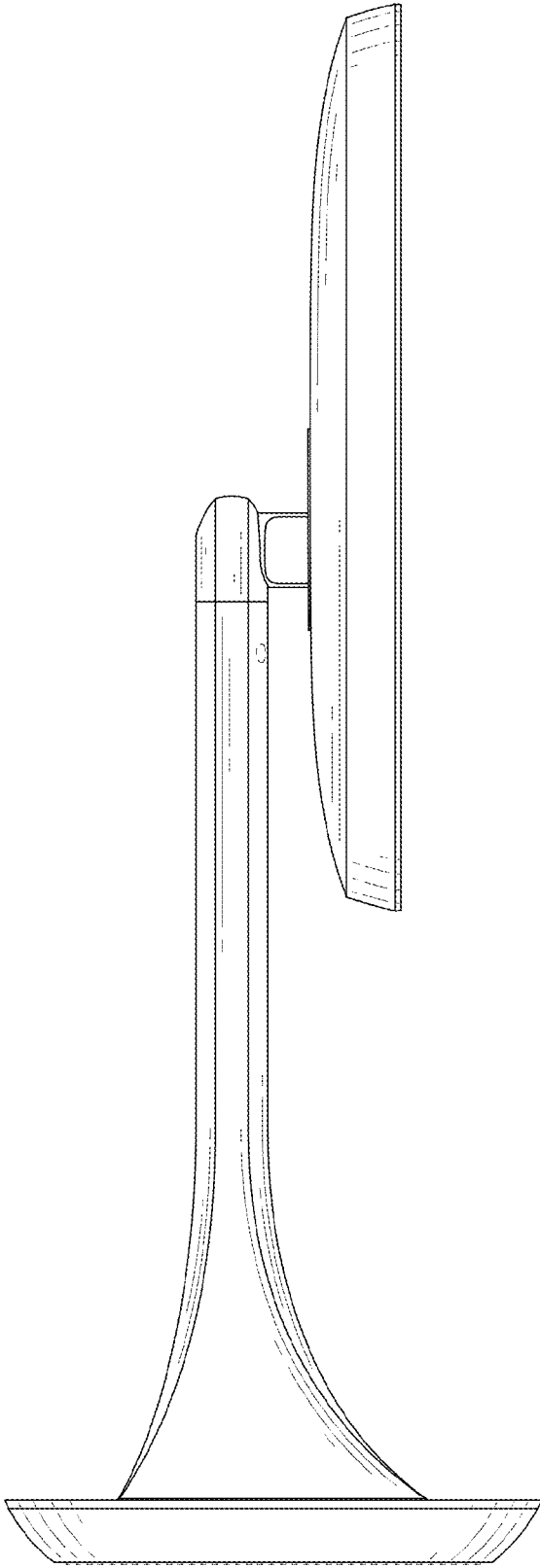


FIG. 5

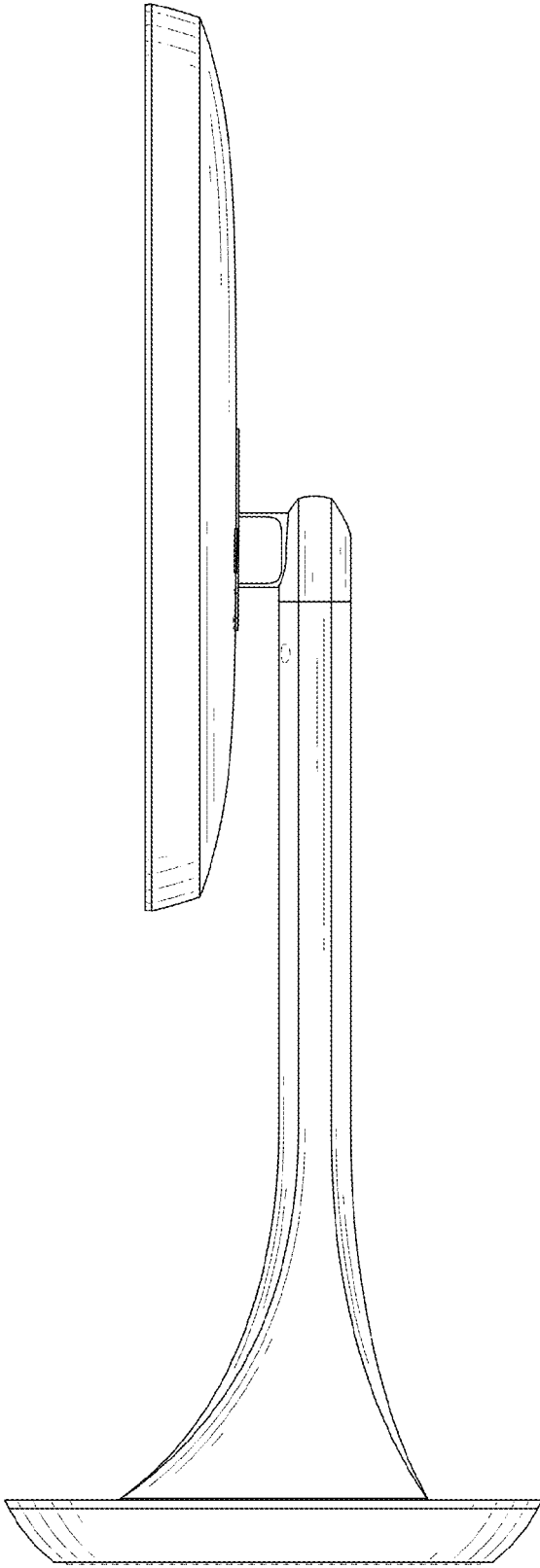


FIG. 6

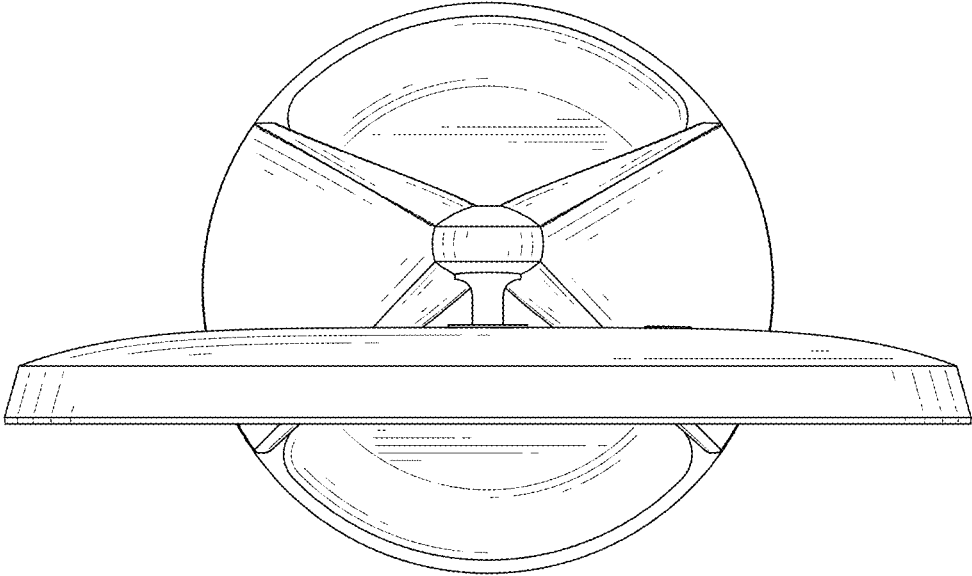


FIG. 7



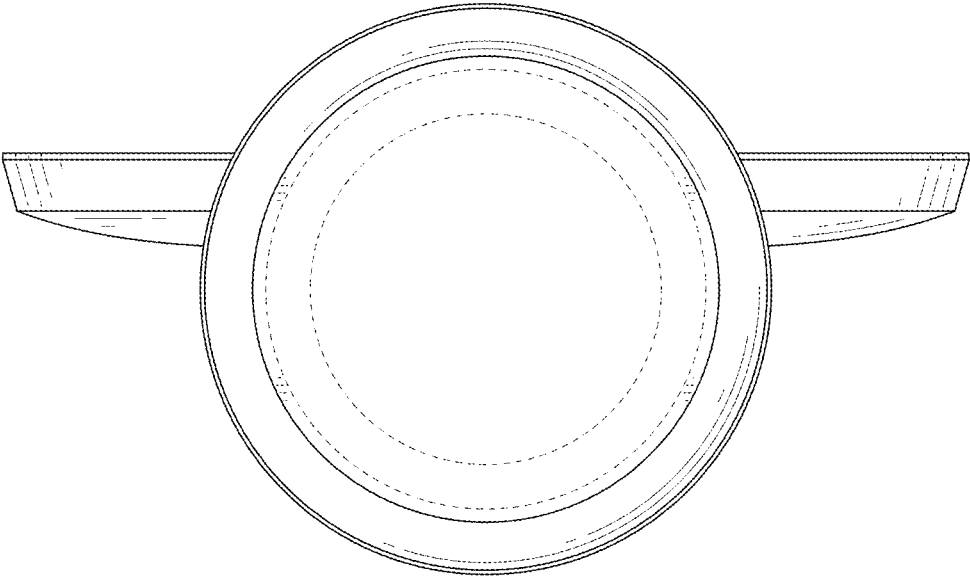


FIG. 8