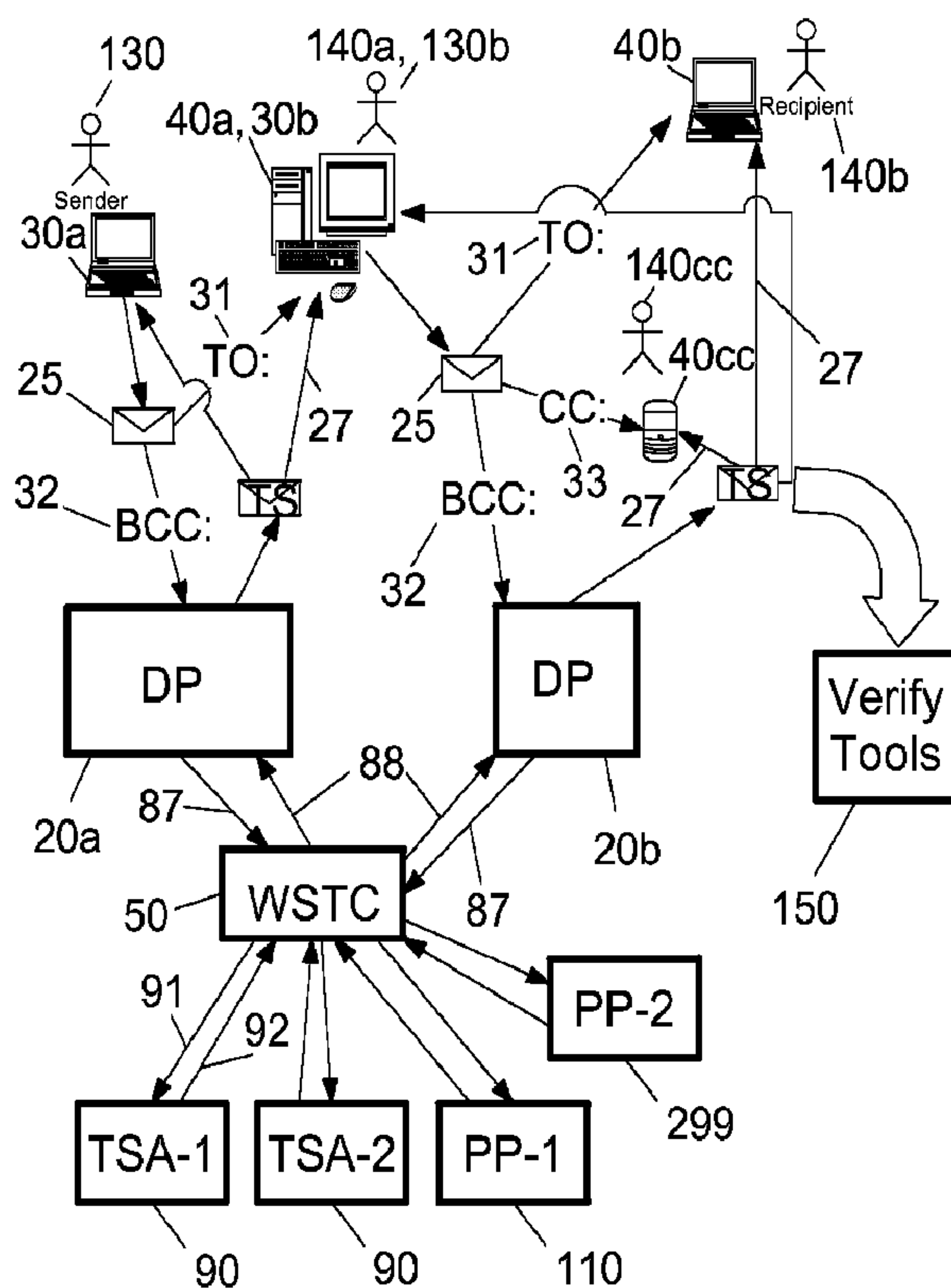




(86) Date de dépôt PCT/PCT Filing Date: 2010/06/17
 (87) Date publication PCT/PCT Publication Date: 2010/12/23
 (45) Date de délivrance/Issue Date: 2018/01/23
 (85) Entrée phase nationale/National Entry: 2012/11/27
 (86) N° demande PCT/PCT Application No.: US 2010/039094
 (87) N° publication PCT/PCT Publication No.: 2010/148261
 (30) Priorités/Priorities: 2009/06/17 (US12/486,721);
 2009/09/03 (US12/553,105); 2009/09/17 (US12/562,094)

(51) Cl.Int./Int.Cl. *G06Q 50/00* (2012.01)
 (72) Inventeurs/Inventors:
 BENISTI, PETER S., US;
 BRAMSON, STEVEN J., US;
 CHALTIEL, VICTOR M. G., US;
 KANTOR, PHILIP, US
 (73) Propriétaire/Owner:
 TRUSTIFI, LLC, US
 (74) Agent: GOWLING WLG (CANADA) LLP

(54) Titre : SYSTEME ET PROCEDE DE COURRIEL CERTIFIE
 (54) Title: CERTIFIED EMAIL SYSTEM AND METHOD



(57) Abrégé/Abstract:

The presented certified email system provides a time stamp upon receiving an email addressed to at least one recipient address and to the time-stamping system address (TCC:Address), where the email to the time-stamping system is a solicitation for a time

(57) **Abrégé(suite)/Abstract(continued):**

stamp. Generally a demanding party receives the email; generates a unique HASH; digitally signs the unique HASH; and sends the signed HASH and a time-stamp request call to a web services time-stamp conduit (WSTC). The WSTC receives the request and signed HASH from the demanding party and obtains a time stamp. The WSTC sends the time stamp back to the demanding party, which sends a time-stamp notification to the original sender of the email and, optionally, the recipient (s) of the email. An administration console provides integrated detailed, pass-through billing system, keyword search, a multi-party content management system, and convenient web-based automated verification (file or HASH).

(12) INTERNATIONAL APPLICATION PUBLISHED UNDER THE PATENT COOPERATION TREATY (PCT)

CORRECTED VERSION

(19) World Intellectual Property Organization
International Bureau(43) International Publication Date
23 December 2010 (23.12.2010)(10) International Publication Number
WO 2010/148261 A8(51) International Patent Classification:
G06Q 50/00 (2006.01)(21) International Application Number:
PCT/US2010/039094(22) International Filing Date:
17 June 2010 (17.06.2010)

(25) Filing Language: English

(26) Publication Language: English

(30) Priority Data:
12/486,721 17 June 2009 (17.06.2009) US
12/553,105 3 September 2009 (03.09.2009) US
12/562,094 17 September 2009 (17.09.2009) US(71) Applicant (for all designated States except US):
TRUSTIFI CORPORATION [US/US]; 7501 Trinity Peak, Suite 210, Las Vegas, NV 89128 (US).

(72) Inventors; and

(75) Inventors/Applicants (for US only): **BENISTI, Peter, S.** [CA/CA]; c/o Trustifi Corporation, 7501 Trinity Peak, Suite 210, Las Vegas, NV 89128 (US).Suite 210, Las Vegas, NV 89128 (US). **BRAMSON, Steven, J.** [CA/US]; c/o Trustifi Corporation, 7501 Trinity Peak, Suite 210, Las Vegas, NV 89128 (US). **CHALTIEL, Vitor, M. G.** [US/US]; c/o Trustifi Corporation, 7501 Trinity Peak, Suite 210, Las Vegas, NV 89128 (US). **KANTOR, Philip** [US/US]; c/o Trustifi Corporation, 7501 Trinity Peak, Suite 210, Las Vegas, NV 89128 (US).(74) Agent: **MASTERS, Connie, R.**; 2385 Flute Ave., Henderson, NV 89052 (US).

(81) Designated States (unless otherwise indicated, for every kind of national protection available): AE, AG, AL, AM, AO, AT, AU, AZ, BA, BB, BG, BH, BR, BW, BY, BZ, CA, CH, CL, CN, CO, CR, CU, CZ, DE, DK, DM, DO, DZ, EC, EE, EG, ES, FI, GB, GD, GE, GH, GM, GT, HN, HR, HU, ID, IL, IN, IS, JP, KE, KG, KM, KN, KP, KR, KZ, LA, LC, LK, LR, LS, LT, LU, LY, MA, MD, ME, MG, MK, MN, MW, MX, MY, MZ, NA, NG, NI, NO, NZ, OM, PE, PG, PH, PL, PT, RO, RS, RU, SC, SD, SE, SG, SK, SL, SM, ST, SV, SY, TH, TJ, TM, TN, TR, TT, TZ, UA, UG, US, UZ, VC, VN, ZA, ZM, ZW.

[Continued on next page]

(54) Title: CERTIFIED EMAIL SYSTEM AND METHOD

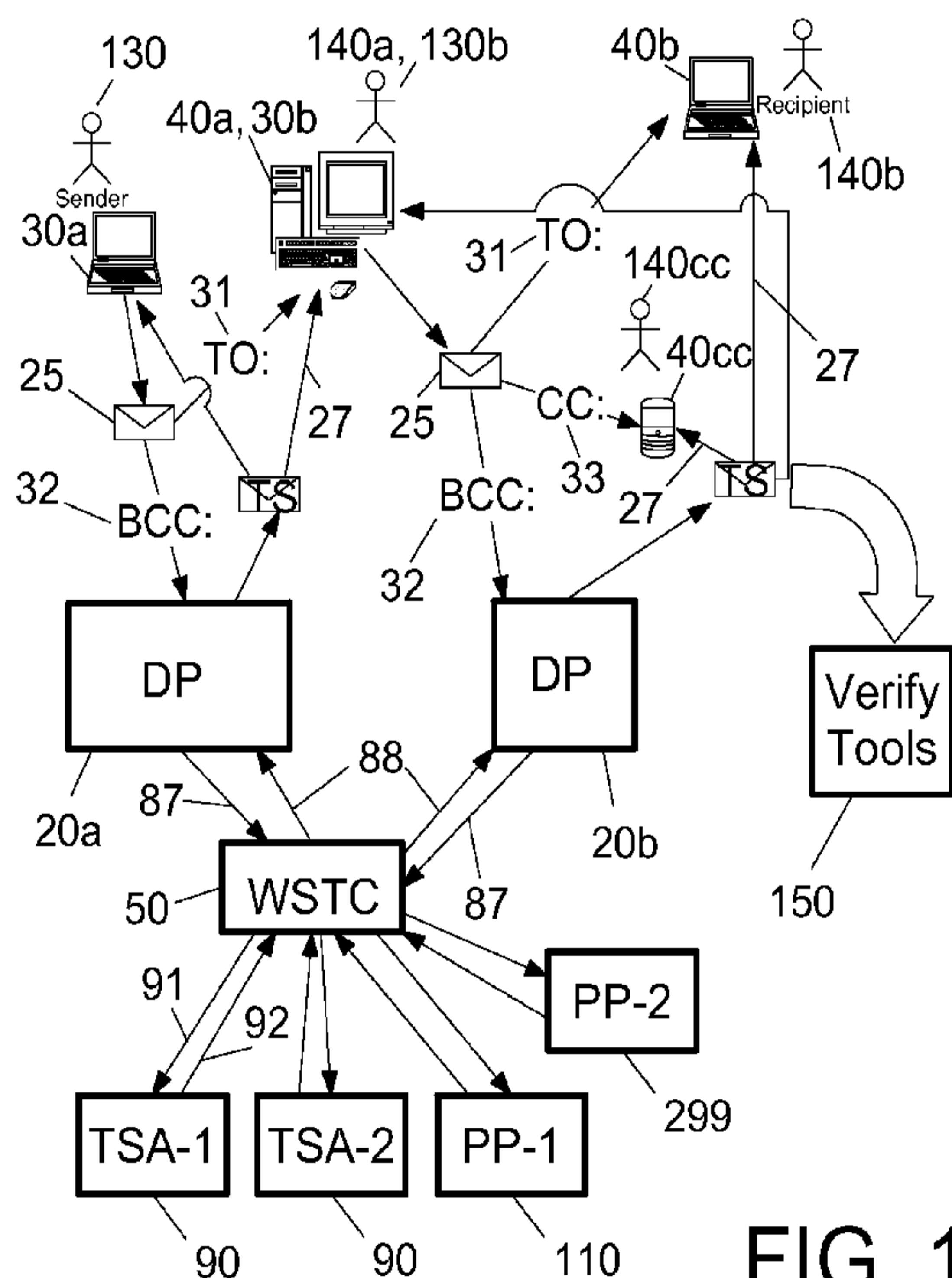


FIG. 1

(57) Abstract: The presented certified email system provides a time stamp upon receiving an email addressed to at least one recipient address and to the time-stamping system address (TCC:Address), where the email to the time-stamping system is a solicitation for a time stamp. Generally a demanding party receives the email; generates a unique HASH; digitally signs the unique HASH; and sends the signed HASH and a time-stamp request call to a web services time-stamp conduit (WSTC). The WSTC receives the request and signed HASH from the demanding party and obtains a time stamp. The WSTC sends the time stamp back to the demanding party, which sends a time-stamp notification to the original sender of the email and, optionally, the recipient (s) of the email. An administration console provides integrated detailed, pass-through billing system, keyword search, a multi-party content management system, and convenient web-based automated verification (file or HASH).

WO 2010/148261 A8

(84) Designated States (*unless otherwise indicated, for every kind of regional protection available*): ARIPO (BW, GH, GM, KE, LR, LS, MW, MZ, NA, SD, SL, SZ, TZ, UG, ZM, ZW), Eurasian (AM, AZ, BY, KG, KZ, MD, RU, TJ, TM), European (AL, AT, BE, BG, CH, CY, CZ, DE, DK, EE, ES, FI, FR, GB, GR, HR, HU, IE, IS, IT, LT, LU, LV, MC, MK, MT, NL, NO, PL, PT, RO, SE, SI, SK, SM, TR), OAPI (BF, BJ, CF, CG, CI, CM, GA, GN, GQ, GW, ML, MR, NE, SN, TD, TG).

Declarations under Rule 4.17:

- *as to applicant's entitlement to apply for and be granted a patent (Rule 4.17(ii))*
- *of inventorship (Rule 4.17(iv))*

Published:

- *with international search report (Art. 21(3))*
- *with information concerning incorporation by reference of missing parts and/or elements (Rule 20.6)*

(88) Date of publication of the international search report:

31 March 2011

(48) Date of publication of this corrected version:

3 June 2011

(15) Information about Correction:

see Notice of 3 June 2011

Certified Email System and Method**Cross-Reference to Related Application**

This PCT Application claims priority to co-pending United States Patent Application Serial Number 12/486,721 filed on June 5 17, 2009.

Technical Field

The present invention relates generally to a certified email system capable of receiving email messages (with any attachments) from any sender computing device; requesting and receiving a 10 trusted third-party time stamp; generating time-stamp notifications; verifying a time stamp of a file or email (with any attachments); parametric searching of archived and time-stamped emails and files; and creating detailed pass-through client/project billing.

Background Art

The most important business communication system in the world is email. Email has increasingly taken the place of paper-based mail in everyday communication among individuals and between clients, customers, suppliers, business partners and associates. 20 However, paper mail is still used for official correspondence or when a document is delivered to meet a deadline, because paper mail has provided certain advantages that email has heretofore been unable to satisfactorily replicate. Certified paper mail provides an official record through the United States Postal 25 Service that a document was sent, but email systems which seek to provide a verification of sending are cumbersome, typically requiring email to be sent through a web interface or requiring

the installation of specialized software or hardware, and wholly dependent upon the reliability of the system provider.

Furthermore, many email verification systems have additionally required the cooperation of the email recipient, whether by

5 logging in to a web interface or installing specialized software.

This is a significant drawback for any system which does not enjoy near universal usage, and it is a prohibitive obstacle when

sending email to recipients who may not want to receive the email, such as would be the case with an emailed eviction notice or the

10 like.

This challenge has been of particular impact to business and other sectors, such as the legal profession, where a significant proportion of correspondence needs proof of service or receipt to meet legal codes and deadlines.

15 Separately, many businesses charge their clients for expenses incurred while performing work for them, so the fees for certified mail are passed on to these clients. Past email and document certification systems have failed to provide any integrated project or client tracking. Their use would therefore require

20 either a time-consuming manual effort to determine which email might be charged to which client after they are sent, or a tedious process in which a notation of the related client or project would have to be made before each email sent.

25 Additionally, projects are often assigned to teams having a need for a centralized location to access and to collaborate on a variety of files, documents, and/or emails. Or, in the context of the legal profession, opposing counsel may find benefit in a mutually accessible multi-party digital file depository. Although various archiving and content management systems are available,

30 they do not provide convenient time-stamping of important

documents and emails, so do not provide confirmation of data integrity or authentication.

Further, time-stamp verification methods are currently cumbersome. For example, an end user may be presented with an email and a time stamp, with the assertion made that the time stamp verifies the content and date-and-time of sending. Yet to determine if the assertion is true, the end user has to research how to verify the email with the time stamp and then has to perform the steps discovered. This is neither simple nor straightforward. Thus, an easy-to-use verifying tool is needed for use with time-stamped emails.

Various attempts have been made to provide certified email, but these solutions have not met the need for an easy-to-use system, requiring no software installation, that sends an email to an email recipient while simultaneously soliciting a time stamp (by addressing a copy of the email to the time-stamp system) and, upon receipt of the time stamp, automatically files it in a folder that can be designated within the time-stamp system address in an administrative console. Most prior attempts to provide certified email require sending an email to a certification server at a third party, such email containing information indicating the intended ultimate recipient of the email, with a request to certify the email or an attached document. The certification provider then extracts a digital signature from the email or document to be certified, records the signature and time, constructs a new email which contains the certified email or document, and sends the constructed email to the ultimate recipient. But, the intermediary step in the email delivery process of generating a new email at the trusted third party's certification server causes the sender of the email received by

the ultimate recipient to be other than the original sender (in some methods each email to an ultimate recipient comes from a unique email address). This introduces a level of uncertainty as to the authenticity of the email, as well as significantly
5 increasing the chance that the email will be filtered as spam, as the sending email address will not be on any white list utilized by the ultimate recipient, thus leading to a substantially increased likelihood of the email not being seen by the intended recipient. To receive the emails from the certification server,
10 the ultimate user may not be able to set up any white list more stringent than one which allows any email purporting to be from the domain of the certification server. This opens any users of the system to easy exploitation by spam email vendors who may utilize these permissive filters to expose the users to a
15 profusion of nuisance emails.

Also, many methods of obtaining a time stamp make no provision for retaining the email that was actually sent to the ultimate recipients. Since the actual contents of the emails sent to the ultimate recipients are dependent on the processing of the
20 certification server, there is no guarantee of what was actually sent to each ultimate recipient. Likewise, often no provision is made for retaining the time stamp. If the time stamp that is returned to the original sender becomes corrupted (such as through data corruption, transmission corruption, or corruption by an
25 anti-viral program) the time stamp will be useless.

Other systems only deal with sending certified or time-stamped emails to recipients who are running a server implementing a proprietary system, making the use of the system at the option of the recipient rather than the sender. This essentially
30 precludes general use for sending certified emails to general

users, who cannot be compelled to use mailboxes associated with a server capable of providing certification.

In other systems, service costs cannot be associated with a client of the system user.

5 Other time-stamping systems provide for time-stamping documents by relying on the replacement of a computer's internal clock with an assumedly more accurate or secure internal clock. The secure internal clock provides a time with which the local computer can time-stamp a document. These systems rely on a local
10 clock, which though more secure than a standard clock is still believed to be less secure than a clock maintained by a trusted third party, and the replacement of the local clock with a nonstandard-clock is both troublesome and likely to be error prone and is difficult to integrate with a standard business IT
15 environment. Furthermore, none of the systems provide for a convenient way to verify the delivery of emails or to verify received time stamps.

Accordingly, there is an established need for an efficient certified email system and method that provides an end user with a
20 simple interface, that is accessible from any type of email client or service on any sender computing device without requiring software installation, that allows for integrated pass-through client/project billing, that can be integrated with a convenient multi-party archiving and content management system, that provides
25 effective searches of stored certified email, that provides convenient web-based automated verification services, and that provides digital evidence in the form of a verifiable time stamp of the time and date of sending of the email, of the contents of the email (and any attachments), and of the sender and recipient
30 electronic-delivery addresses.

Summary of the Invention

The present invention is directed to a certified email system and method that is capable of providing a time stamp, such as an electronic postmark, to an end user via a simple-to-use interface
5 by utilizing a demanding party for receiving and preparing the email and a web services time-stamp conduit (WSTC) configured to serve as a convenient conduit to one or more Time Stamp Authorities for the one or more demanding parties. Thus, both the demanding party interface provided to the end user and the WSTC
10 interface provided to the demanding party are configured for ease of use and access. Throughout this disclosure, unless otherwise indicated by context, the term "time stamp" (and grammatical equivalents) refers to the digital signature that results when a file signature HASH is combined with the time and then digitally
15 signed by a trusted entity.

The demanding party captures the complete email including email-transmission data, parses the coded demanding-party electronic-delivery address (referred to herein as the Trusted Carbon Copy Address [TCC:Address]), prepares the file for time-
20 stamping by generating meta data which include signing of the file's digital HASH value, and passes the prepared conduit-input data with a time-stamp call request to the WSTC. The WSTC then receives, verifies and formats the information, and obtains a time stamp from a Time Stamp Authority (TSA), such as the United States
25 Postal Service Electronic Postmark or EPM[®] (a postmark receipt containing a unique Identifier, the file signature, the secure time stamp, and a digital certificate). The time stamp is received by the WSTC, verified and preferably archived. Then a receipt-notification email is sent out to the sending and, optionally, to

the receiving party (or parties), as desired by the user of the invention.

Provision is further made for convenient web-based automated verification services, such as a Content-Proof Verifying Tool (to
5 conveniently verify the content of a file or email with any attachments after it was sent) and a Verify HASH Tool (to conveniently verify whether a time-stamp receipt is valid for a given file or email with any attachments).

Another aspect of the invention provides a convenient multi-
10 party content management system integrated with the time-stamping function of the certified email system, which provides archiving, collaborating and searching of time stamps and time-stamp-related data.

The time-stamping function of the certified email system is
15 initiated upon receipt of an email message by the demanding party, thus negating the requirement to log into a website or to install software on the sender or recipient computing devices. The email message is addressed to (and transmitted in the normal way to) both the recipient(s) (using the "TO: Address" field) and to the
20 demanding party TCC:Address (generally using the "BCC: Address" field - but optionally using the "TO: Address" field or "CC: Address" field), and, optionally, to any carbon copy recipient(s) (using the "CC: Address" field or the "BCC: Address" field). The coded TCC:Address preferably contains one or more IDENTIFIERS.

25 An integrated client billing system is based on the one or more address IDENTIFIERS coded into the local part of the TCC:Address (or, at times, optionally or additionally, based on email-transmission data or manual cataloging). The IDENTIFIERS can be parsed to derive detailed billing parameters (such as
30 corporate, user, client, and/or project billing-associated

details), allowing pass-through billing for clients and projects. Billing-associable details may also be derived from the email header, transmission data, addresses of the sender or recipients, and/or manual cataloging.

5 This Summary is provided to introduce a selection of concepts in a simplified form that will be further described in the attached drawings and the Detailed Description of the preferred embodiments, which follow. This Summary is not intended to point out key features or essential elements of the claimed invention.

10 **Brief Description of the Drawings**

The preferred embodiments of the invention will hereinafter be described in conjunction with the appended drawings, provided to illustrate and not to limit the invention, where like designations denote like elements, and in which:

15 FIG. 1 presents a schematic representing an overview of the interactions of components of the certified email system and method of the present invention;

FIGS. 2A and 2B present schematics representing an overview of the time-stamping function of the certified email system and
20 method of the present invention;

FIGS. 3A to 3E present schematics of exemplary addressing schemes usable in the TCC:Address and, after parsing, associable to billing-associable details, of the certified email system and method of the present invention;

25 FIG. 4 presents a schematic of components of the email receipt-notification of a time stamp as presented to the sender and/or sender's designate and, optionally, email recipient(s), as

provided by the certified email system and method of the present invention;

FIG. 5 presents a schematic of the tools and functions available to a corporate administrator via a corporate administrative console of the certified email system and method of the present invention;

FIG. 6 presents a schematic of tools and functions available to a user or participant via a user/participant console of the certified email system and method of the present invention;

FIG. 7 presents a schematic of the registry logs of the certified email system and method of the present invention;

FIG. 8 presents a schematic of exemplary architectural components of the certified email system and method of the present invention;

FIG. 9 presents a schematic of HASH verification problems solved by the certified email system and method of the present invention;

FIG. 10 presents a schematic of time-stamp credit purchase methods of the certified email system and method of the present invention;

FIG. 11 presents the call types of the WSTC of the certified email system and method of the present invention;

FIG. 12 presents a schematic of the demanding party administrative dashboard available to the demanding party administrator of the certified email system and method of the present invention; and

FIG. 13 presents a schematic of the WSTC administrative dashboard available to the WSTC administrator of the certified email system and method of the present invention.

5 Like reference numerals refer to like parts throughout the several views of the drawings.

Detailed Description of the Preferred Embodiments

Shown throughout the figures, the present invention is directed toward an efficient, user-friendly certified email system and method that provide a time stamp or electronic postmark for presented files from any file presenter. Particularly, the presented file may be an email from a sender presented via a simple-to-use interface. Optionally and additionally, the presented file may be presented by a user of the integrated user/participant console. The certified email system receives the presented file, prepares the presented file for time-stamping, obtains the time stamp, archives the time stamp and a variety of optional time-stamp-related data, and provides convenient access, control, searching, and reporting to both administrators and users of the system.

20 Preferably, the certified email system comprises a demanding party and a web services time-stamp conduit (WSTC), but other architectures are within the scope of the invention. Preferably, the demanding party receives the email and prepares the email for transmission to the WSTC. The WSTC is configured to serve the demanding party (or multiple demanding parties) as a convenient conduit to one or more providing parties, such as one or more Time Stamp Authorities and/or third-party archiving services. Thus, both the demanding party interface provided to the user and the

WSTC interface provided to the demanding parties are configured for ease of use and access.

While the certified email system and method of the present invention may be profitably used by an individual, the present invention is generally discussed herein as applied to a company, an organization, firm, or other business entity, which may have multiple users and may allow multiple participants to collaborate with the company users through use of a provided content management system. This is done to illustrate the system in its fullest functionality; however, other users may use only a portion of the services and functions available, which is also within the scope of the invention. Therefore, for example, though charges for time stamps or other providing party services are generally herein discussed as charged to a "corporate account" and the administrative console is referred to as a "corporate administrative console," an individual or home business owner may equally well use the corporate account for billing and the corporate administration console to manage provided services.

Also, while the certified email system and method of the present invention is frequently described herein with reference to a law or accounting firm, this is not intended to limit the invention to a particular vertical market or even to anything that could be called a "market." Rather, the present invention is intended to serve the purposes of any user of email, individually or as part of an organization.

The certified email system and method works with any email client or service (running on any computing device) - without requiring the sender or recipient to login to a website to use the system, without requiring the sender or recipient to install software or an email client plug-in, and without requiring a

cooperative recipient. Further, no changes are required to the corporate mail server or the client mail server.

The certified email system and method provide convenient web-based administration for users to manage various aspects of the time-stamping functions; provide a multi-party archiving and content management system incorporating convenient time-stamping of documents and emails (allowing complete transparency in negotiations, mediations, consultations, discussions, etc.); allow for integrated detailed billing, including pass-through client/project billing for the convenience of the company, which can conveniently bill a client for time stamps used and/or services rendered; provide effective searches of data registries that include archived certified email and other project-correlated data; and provide convenient web-based automated verification services. The certified email system and method provide a guarantee of data integrity (confirmation that the data have not been tampered with), non-repudiation (confirmation that the email transmission took place), and a secure verifiable time stamp (a guarantee that the email transmission took place at a specific time).

While the certified email system allows documents of any type to be time-stamped, it is particularly focused on email processing. However, as the email is presented in a digital file format, much of the functionality is equally applicable to files of other digital file format types (for example, WMV, JPEG, WAV, MP3, PDF, DOC, XLS, PPT, etc.). Also, while the certified email system is particularly directed to using a coded email address within a user's regular email client or service, much of the certified email system functionality is applicable to time-stamping requests made at a web console, such as may be desired

when using the provided multi-party archiving and content management system integrated into the system.

Referring to **FIG. 1**, an overview of the time stamp function of the certified email system is presented. The certified email system utilizes a demanding party (DP) **20a, 20b** and a web services time-stamp conduit (WSTC) **50**; as illustrated, optionally more than one demanding party (**20a, 20b, etc.**) may run on a single WSTC **50**.

The demanding party **20** is designed for general use to provide time-stamping, registry, database, archiving, customer account administration, and firm/corporate administration functionality. The demanding party **20** can comprise multiple adaptations, interfaces, servers, and front ends for different vertical markets, customized to the requirements of the demanding party operator. The architecture within the demanding party **20** can also vary, with an exemplary architecture described below in **FIG. 8**.

The WSTC **50** is designed to receive requests for services **87** (with associated prepared conduit-input data **21, FIG. 2A**) from the demanding party, and to process them on its own or with one or more third-party providing parties (particularly Time Stamp Authorities [TSA-1, TSA-2] **90**, but, optionally, other providing parties [PP-1, PP-2] **110, 299**). The WSTC **50** prepares and executes requests as per the required methods of the providing third party. In this way, with the WSTC **50** serving as the manager and translator of service requests, this functionality is offloaded from the web-based application(s) of the demanding party **20**. Thus, the WSTC **50** provides a robust conduit that the demanding parties **20** can use to access the providing parties **90, 110, 299**. This modular architecture is scalable and flexible.

Therefore, setting up a demanding party **20** is simplified to merely writing an interface to the WSTC without the need to create

custom interfaces to the one or more providing parties **90, 110, 299** offered by the WSTC. Thus, the creation of the different adaptations and front ends for different vertical markets is facilitated, with the ability to easily incorporate reliable
5 trusted time-stamping (and, optionally, archiving and other services) provided by the WSTC. In addition, the WSTC preferably consolidates the transactions of many demanding parties **20** and, therefore, benefits from economies of scale, including lower per transaction costs, lowering costs to users and to their clients.

10 The time stamp function of the certified email system is generally initiated by an email message **25** from a sender computing device **30**. The receipt by the demanding party **20** of the email **25** addressed to the demanding-party electronic-delivery address (referred to herein as the TCC:Address) serves to solicit the
15 obtaining of a time stamp and the charging of the cost of the time stamp to the user's account. The demanding party **20** is coupled via a wide area network (typically the Internet) to a plurality of sender computing devices **30** and receiver computing devices **40**. The email message **25** is addressed to at least one recipient
20 electronic-delivery address (generally using the "TO: Address" field **31**) and is transmitted to the recipient computing device(s) **40**; the email message **25** is also addressed to the TCC:Address (generally using the "BCC: Address" field **32**) and transmitted to the demanding party **20**; and the email message **25** may be further
25 addressed to, and further transmitted directly to, any optional carbon copy recipient computing device(s) **40cc** (using the "CC: Address" field **33** or "BCC Address" field [not shown]). Thus the email **25** is transmitted directly to the recipient computing device(s) **40** without passing through servers of the demanding
30 party **20**, with the copy of email **25** (addressed to the demanding-party electronic-delivery address) received by the demanding party

20 serving as a solicitation to obtain a time stamp for the email
25. The coded demanding-party electronic-delivery address may
contain one or more IDENTIFIERS (such as name value pairs)
associable with billing information and usable for reporting
5 categories of usage (such as project, client, company, etc.).

The demanding party 20 is configured with at least one
computer-readable medium having computer-executable instructions
which may be executed to receive the email message 25, to use the
email message 25 to prepare the file for passing 87 to the WSTC as
10 conduit-input data 21 (FIG. 2A) with a time-stamp request call
241, and to perform other functions described below. As shown in
FIG. 2A, the demanding party 20 is further configured to transmit
a notification 28, 29, 83 to the sender computing device 30 and
(optionally) to transmit a notification (27a or 27b) to the
15 recipient computing device 40 to alert the recipient 140 of the
certification of the email.

The WSTC 50 is configured with at least one computer-readable
medium having computer-executable instructions which may be
executed to accept from a demanding party 20 one time-stamp
20 request call 87 for a presented file or redundant time-stamp
request calls 87 for a presented file; configured to act upon the
time-stamp request call(s); configured to output 88 the time
stamp(s) to the demanding party 20; configured to receive and act
upon other service calls (FIG. 11); and, optionally, configured to
25 provide other value-added services (either locally by the WSTC or
by a third party 110, 299), such as archiving services; plus to
perform other functions as described below.

Not only does a single web services time-stamp conduit (WSTC)
50 provide a convenient, efficient conduit to one or more third-
30 party Time Stamp Authorities 90, it may also, itself, serve as a

WO 2010/148261

PCT/US2010/039094

Time Stamp Authority. Consequently, acting upon the time-stamp request call(s) may comprise transmitting **91** a time-stamp request to a TSA **90** and receiving **92** the time-stamp back from the TSA **90** and/or may comprise time-stamping the file within the WSTC **50**.

5 Thus, redundant time-stamp calls may or may not include the WSTC **50** itself as a TSA.

The Time Stamp Authority (TSA) **90** provides trusted proof of content integrity as of a specific point in time, so it can be used to verify the authenticity of the file. Particularly, the certified email system is designed to efficiently utilize the legally enforceable time-stamping and digital signature verification solution from the United States Postal Service (USPS) to establish evidence of digital files, but will also integrate with UPU (Universal Postal Union) compliant post mark services of many Post Offices, or other time-stamp providers. The USPS offers an electronic postmark (EPM[®]), which is an auditable time-and-date stamp service.

The sender computing device **30** and the recipient computing device **40** may be any desired computing device capable of sending and receiving email, such as, for example, a BlackBerry[®] **40cc**, an iPhone[®], a desktop **40a**, a laptop **30a**, etc. using any operating system (such as, for example, Windows[®], Mac OS[®], Linux[®], etc.). The sender computing device **30** and the recipient computing device **40** may send or receive email through any desired email service or client (such as, for example, Microsoft Outlook[®], Yahoo[®], Gmail[®], Lotus[®], Microsoft Exchange[®], or other Mail User Agents [MUA]). As is conventional, mail sent via a MUA of the sender computing device **30** is generally transmitted through multiple Mail Transfer Agents (MTA) before receipt by the MUA of the recipient computing device **40**.

As illustrated, a single computing device **40a, 30b** can function in one email message transmission as a sender computing device **30b** (sending email to recipients **40b** and **40cc**) and in another email message transmission as a recipient computing device **40a** (receiving email from sender **30a**), using the same demanding party (not shown) or different demanding parties **20a, 20b**, as illustrated. Particularly if the sender computing device **30a** and the sender/recipient computing device **40a, 30b** are participants in a project as described below, numerous time-stamped emails may be transmitted between them, all being passed to a single demanding party **20a** for time-stamping (not shown).

A variety of customizations, options, reports, settings, and management tools - as well as searching utilities and the multi-party archiving and content management system - are accessible via the corporate administrative console (**FIG. 5**). End user and participant tools and settings are available via the user/participant console (**FIG. 6**). Other administrative tools also presented include the demanding party administrative dashboard **170** (**FIG. 12**) and the WSTC administrative dashboard **160** (**FIG. 13**).

Referring to the more detailed view of **FIG. 2A** and **FIG. 2B**, to send a certified email (generally after an account has been created and a method of payment chosen), the sender **130** composes the email message **25** (and attaches any desired attachments) using any desired email client or service. The sender **130** addresses the email **25** to the recipient(s) **140** and to the demanding party **20** and to any carbon copy recipient(s) **140cc**. The coded demanding-party electronic-delivery address (TCC:Address), usually in the "BCC: Address" line **32**, may read, for example, "[Identifier]@tccmail.com" where the local part of the email address, "[Identifier]," is billing-associable identifying

information (associable with the sender **130** seeking certification or associable with the recipient(s) **40**), and where the domain-part of the email address, "tccmail.com," directs the BCC: copy of the transmission to the demanding party **20**. (While the "BCC: Address" field **32** is typically used to send the email **25** to the demanding party **20**, and will be referred to herein, using the "TO: Address" field **31** or the "CC: Address" field **33** to send the email **25** to the demanding party **20** is within the scope of the invention.) The complete email **25** (including any attachments) is then sent as usual, with the email message **25** delivered to the recipient computing device **40** (or to multiple recipient computing devices), delivered to the demanding party **20** (using the TCC:Address, generally via the "BCC: Address" field **32**), delivered to any other BCC: recipients (not shown), and delivered to any CC: recipient computing device(s) **40cc** (using the "CC: Address" field **33**).

After the demanding party **20** receives the incoming email message **25** (including email body, email addresses, and any attachments, and transmission data [added by MTA or MUA]) from sender computing device **30**, it parses **35** the TCC:Address ([Identifier]@tccmail.com) and email-transmission data (for example, the address fields of the sent email ["TO: Address" **31** [recipient address], the "FROM: Address"], the header, the IP address of the sender, etc.). The data derived from the TCC:Address and the email-transmission data (and, at times, manual cataloging association) comprise billing-associable details, which are associable with, and usable for, billing, reporting, cataloging, and/or archiving purposes. Addressing schemes and derivation of associations are discussed in more detail later (in **FIGS. 3A to 3E**). The parsed billing-associable details may be archived **64** in database **66**. The complete unparsed email may also be archived.

Based on parsing **35** of the TCC:Address or the email-transmission data, the demanding party **20** identifies the user. When using some addressing schemes, the username, firm, client, and/or project are identified **47** directly **61** from the parsing of the TCC:Address. Using other addressing schemes, the username, firm, client, and/or project are identified indirectly **63** by consulting the database **66**. If the username, firm, client, and/or project are not **63** fully identifiable from the parsing **35** and are not fully identifiable by consulting the database **66**, manual categorization or cataloging **48** can be performed by accessing the administration console (**FIG. 5**). Once sufficient billing-associable details have been determined for identification, the appropriate corporate billing account is billed **49** (**FIG. 2A**) with the billing cost preferably associated and catalogued to the company's client and/or project. If a client and/or project are identified by the TCC:Address, but are not already pre-defined as associated with the user, they may be created in the database **66**.

The demanding party **20** prepares **89** the email **25** for transmission **87** to the web services time-stamp conduit (WSTC) as conduit-input data **21** (**FIG. 2B**). If needed and desired, the demanding party **20** can convert files to a standard format. Preferably, the demanding party **20** uses a hash algorithm **71** to obtain a HASH value derived from the email or file, encodes the HASH with a conventional Public Key Infrastructure (PKI) signing algorithm **75** using its private key **81**, and archives **44** the digitally signed email or file.

The demanding party **20** may further archive any or all of a variety of data, such as, for example, filing **43** the time-stamp request to the WSTC, filing **82** the obtained time stamp, filing **64** parsed billing-associable details, filing the HASH value,

archiving the original received email (including the email body, any attachments, recipient and sender electronic-delivery addresses, and/or email-transmission data) and/or archiving **44** the digitally signed email or file. Additionally, the demanding party
5 **20** preferably provides a web presentation interface to users.

After preparing the conduit-input data **21** the demanding party **20** makes a time-stamp request call **241** to the WSTC **50** and transmits **87** the conduit-input data **21** (preferably the original email **25** and the digitally signed HASH and, optionally, a copy of
10 the public key).

Referring now to **FIG. 2B**, the WSTC **50** is illustrated. In overview, the WSTC preferably verifies **95** the conduit-input data **21**, requests **91** and receives **92** a time stamp from one or more Time Stamp Authorities **90**, may optionally archive **94** data, and outputs
15 **88** the obtained time stamp **39** to the requesting demanding party **20**. Both transmission **87** to the WSTC and transmission **88** back from the WSTC to the demanding party are preferably, but optionally, performed using secure web services **38**.

The WSTC performs cross-checks of the conduit-input data **21**,
20 when possible. Although preferably the digital file and the signed HASH **21b** are provided **87** to the WSTC as conduit-input data **21** from the demanding party **20** (to allow cross-checking), other file-type combinations (e.g., signed HASH **21a**, HASH and signed HASH **21c**, file and HASH **21d**, file **21e**, HASH **21f**) can be accepted. Thus, the
25 WSTC provides a versatile, flexible interface for various demanding parties **20** with various requirements or limitations. As illustrated in **FIG. 2B**, the processes performed by the WSTC are dependent upon the file types **21a** to **21f** that are passed to the WSTC. For example, if an unsigned file (**21d**, **21e**, **21f**) is passed
30 to the WSTC, the WSTC signs (**99a**, **99b**, **99c**) the file; or if an

unhashed file (**21e**) is presented, the WSTC hashes **96** the file and then signs it **99b**.

Most preferably, the file and the signed HASH **21b** are passed via the WSTC secure web service's application programming
5 interface (API) **38**, the signed HASH and file are verified **95b**, and they are transmitted **91** to the time stamp authority **90**.
(Optionally, the WSTC **50** may itself serve as a time stamp authority.) The WSTC then receives **92** the postmark receipt from the time stamp authority **90**. For example, if the time stamp
10 authority used is the USPS, the EPM[®] receipt contains the following: (1) a unique time-stamp identifier; (2) the file signature HASH; (3) the obtained secure time stamp; (4) a digital certificate; and (5) a copy of the file signature received by the TSA from the WSTC.

15 If the time-stamp service is not available at the time of the transaction, the WSTC places the transaction in a batch to be processed on a first-in, first-out basis when the service becomes available again; in this case a temporary informational receipt (provided by the WSTC) is provided to the demanding party **20** (and
20 possibly passed on to its customer, user/sender **30**) along with status updates until a follow-up notification may be received confirming the successful completion of the postmark and triggering an update of the registry logs **270 (FIG. 7)**.

The WSTC then preferably verifies the received postmark
25 receipt (e.g., EPM[®]) from the time stamp authority. The WSTC may perform other services, such as archiving **94** the received conduit-input data **21** and postmark **41** data in database **103** and/or a third-party data storage facility **110**. Optionally, the WSTC may archive particular sets or subsets of the data **21** and postmark **41** data in
30 database **103** or third-party data storage facility **110**. Thus,

redundant archiving is optionally provided, within the system itself and/or by utilizing a third-party storage facility **110**, for example, redundancy may be by means of mirrored discs, database writes streamed to a remote system, regular backups, or utilizing
5 both archiving in database **66** of the demanding party and archiving in database **103** of the WSTC or third-party data storage facility **110**. The extent and degree of redundancy is customizable by the operators of the WSTC and of the demanding party and, to a lesser extent, by the firm or corporate administrator.

10 The WSTC then transmits **88** the received postmark **41** (including the secure time stamp and any other associated data, such as, for example, a unique time-stamp identifier; the file signature; the file signature HASH; and a digital certificate) back to the demanding party **20** (**FIG. 2A**).

15 The demanding party **20** then optionally notifies **27a**, **27b** (**FIG. 2A**) the email recipient(s) **40**, **40cc** of the obtained time stamp; and additionally notifies **27C** or **83** sender **130**. As illustrated in **FIG. 4**, the notification email **27**, in addition to containing the postmark **41**, may optionally include other
20 components, such as, for instance, informational, branding, or advertising components. For example, the notification email **27** may include a link to verify the time stamp **242**, one or more logos **243** (such as the demanding party logo or branded front end logo and the USPS logo), a demanding party signature **244**, marketing
25 directed toward the encouragement of the viral spread of the service **245**, the original email as an attachment or as a link **246**, original attachment(s) as an attachment or as a link **247**, and/or information on time-stamping **248**. The components of the notification email **27** may be configured **258** by changing

configuration settings available in the corporate administrative console **240** (**FIG. 5**).

In one aspect of the invention, the demanding party **20** may directly notify **83** the email sender of the receipt of the time stamp, without notification to the recipient **140** or the CC: recipient **140cc**.

In another aspect of the invention, the demanding party **20** may attempt to verify receipt of the notification email **27** (either the notification email **27a** to the recipient **140** or the notification email **27b** to the CC: recipient **140cc**) by delivery-apprising methods. For example, one or more of the following delivery-apprising methods may be used: establishing communication with the mail server associated with the recipient computing device **40** so as to attempt to use Delivery Status Notification (DSN) functionality; tracking the notification email **27** to determine a final delivery status by reviewing the exchange between MTAs; requesting a Mail User Agent (email client) "reading" notification; or if the receiving party's MTA supports the functionality, recognizing the MTA's delivery confirmation receipt. These delivery-apprising methods may be used in a complementary fashion.

Another means to verify the receipt of an email includes embedding a tracking graphic (such as a transparent gif or logo image) that is called when an email is opened while the reader is connected to the Internet. When the sent email is opened by the recipient connected to the Internet, the tracking graphic is downloaded and parameters such as an "email ID code" are sent to the server of the demanding party **20** thereby providing proof that the email was indeed opened in an MUA. It should be noted that even if the graphic has not been downloaded, it does not prove

that the email has not been opened; this is because the user may not have been connected (or was having trouble) with the Internet at the time the email was opened, or the user's MUA may be configured not to download graphics by default.

5 Also, optionally, receipt of the notification email **27** may be verified by explicitly asking the recipient to follow a confirmation click-through link that the demanding party **20** includes in the notification email **27**. The recipient can review the actual email by following the click-through link. The act of
10 accessing the email would be proof of receipt and opening. The recipient can then choose to have the email sent to his regular email inbox. A further option is to send the originally sent email in the notification email **27**, but to additionally provide a click-through link for confirmation. In either instance, the recipient
15 could be encouraged to follow the click-through link through separate verbal or email messages from the sender, for instance saying, "I will continue to work with you only after you have confirmed receipt of the notification email **27** by following the click-through link provided."

20 Additionally and optionally, receipt of an email (or document) can be verified by the downloading of a file (time-stamped email or document) from the user/participant registry. When a participant downloads a file from the registry, the downloading is recorded, preferably in the registry itself. Thus,
25 a participant can be sent an email (generally by the demanding party) with instructions on retrieving the file from the registry; whereupon, by logging into the registry, the participant retrieves the file, with positive confirmation of receipt. This functionality would preferably be enabled by the administrator via
30 the administrative control panel.

If the notification email **27a, 27b** is not deliverable **26a, 26b**, that may indicate that the original email **25** may, also, not have been deliverable - for example, the allotted storage for email may have been reached or the email address is invalid, resulting in the original email and the email notification being undeliverable, or "bouncing." Thus, the demanding party **20** preferably positively informs **28** the sender **130** of the receipt of the notification email **27** or negatively informs **29** the sender of the non-receipt **26a, 26b** of the notification email **27**. Optionally, the positive receipt emails **28** and/or negative receipt emails **29** may be grouped and sent as a collection at the end of a time period, for example, at the end of a week; the advantage of the collection is a reduction in the number of emails received by the sender **130**. As an additional option, the positive receipt emails **28** and/or negative receipt emails **29** may be addressed to the sender's delegated assistant or may be redundantly addressed to the sender and to the delegated assistant, as desired. These options could be set within the tools of the corporate administrative console **240 (FIG. 5)**.

A variety of other types of other calls (**FIG. 11**) and other conduit time-stamp input data can also be transmitted to the WSTC.

TCC:ADDRESSING SCHEMES

Referring now to **FIGS. 3A to 3E**, various exemplary addressing schemes are presented to be used with the email parsing **35** function of the certified email system and method of the present invention. The addressing schemes allow determination of billing-associable details (for use with billing, cataloging, and content management) based on one or more of the following: (1) one or multiple IDENTIFIERS (IDENTIFIERS@TCCmail.com) coded in the local

part (before the @ sign) of the demanding-party electronic-delivery address (TCC:Address); (2) email-transmission data derived from the "TO: Address," the "FROM: Address," the "CC: Address," the email header, sender's IP address, and/or
5 transmission data; and/or (3) manual cataloging. Choosing the particular addressing scheme for use can be based on the level of security, the desire for automated billing and filing versus manual cataloging, learning curve considerations, and convenience of use.

10 The IDENTIFIERS may be derived from username and TCC:Address password authentication (to avoid spoofing) and/or codes for individual projects, clients, company name, and employee ID's or usernames, as required to obtain the billing-associable details for the particular desired detailed billing. In one aspect, simple
15 and easy-to-use pass-through billing is enabled, such as is required by end users in certain types of businesses where the cost for services is billed to the user's client for a particular project, such as law or accounting firms.

After the user has established an account (or has had an
20 account established for him) with the operator of the demanding server, the user is issued (or chooses) a username and account password. Preferably, for convenience of administration, the username is unique within the demanding server **20**. For this reason, account username is typically the user's email address; a
25 different username can be selected for identification in the TCC:Address, if necessary.

The billing-associable details may be determined by using one of the multiple presented email addressing schemes to determine the specific address to be used for the TCC:Address. Five
30 exemplary addressing schemes are presented in **FIGS. 3A** to **3E**,

specified by way of example, and not by way of limitation.

Significantly, the verbiage or codes used in the email prefix may be determined by the user in accordance with the user's own identification and cataloguing purposes. Thus, some users may not
5 need or want to specify projects, clients or employees, some users may want to add a TCC:Address password, or users may choose to use numeric or alphanumeric IDENTIFIERS or purely alphabetic IDENTIFIERS, etc.

Significantly, also, the use of the "BCC: Address" field **32**
10 for email **25** directed to the demanding server **20** is not mandatory, but may be employed to prevent identifying information from being conveyed to email recipients (such as client names, project names, and TCC:Address password). Where this is not a concern, another address field may be employed. Where it is a concern, the novel
15 email certification system may, as an option, filter out the particular user's TCC:Address in the "BCC: Address" field **32** before time-stamping it to protect the confidential information contained in the TCC:Address. Optionally, if the end user desires an extra measure of security, with any of the addressing schemes
20 not already including an address password, a TCC:Address password may be included in the TCC:Address. This TCC:Address password allows the demanding server **20** to verify the end user's identity, before the solicitation to obtain a time stamp by receipt of the email (addressed to the TCC:Address) and before authorizing the
25 demanding server to charge the time stamp to the end user's account is carried out. Optionally, if a TCC:Address password is inadvertently typed into the "CC: Address" and so becomes known, the demanding server **20** can send an email to notify the sender
130, who may choose to change his address password by logging into
30 his web-based account with his account user name and account password.

Further, in some situations it may be desirable to include the TCC:Address in the "CC: Address" field or "TO: Address" field, even though billing is based on the TCC:Address (which is usually entered into the "BCC: Address" field). For example, this might be
5 desirable in the situation in which the sender **130** wants the recipient(s) **140** to include the sender's TCC:Address in correspondence, such as by using "Reply to All," so that the full email exchange is certified by the email certification system of the present invention.

10 To facilitate this certification of a full email exchange, optional subsidized certified reply functionality can be provided. The subsidized certified reply enables the sender **130** to allow the recipient **140** to send a certified response that is billed to the sender **130**; thus the email sender incurs the charge for the
15 response-email time stamp obtained for the email reply of the recipient(s). An offer allowing the recipient(s) **40** (and, optionally, CC: recipient(s) **40cc**) to reply using this subsidized certified reply option can be extended **249 (FIG. 4)** in the certified email notification **27**. This is allowable even if the
20 recipient **140** is not a registered user of the certified email system, or if the recipient **140** is registered with a different demanding server **20** than the sender **130**, or even if the recipient **140** is registered with the same demanding server **20**. This subsidized certified reply option may be a default option, with
25 the choice to enable or disable the option available via the configuration settings in the corporate administrative console **240 (FIG. 5)** as one of the user and participant privileges and/or parameters **252**.

A simplified way to subsidize response-email time stamps is
30 to create a TCC:Address prefix that is only good for a few

response-email time stamps and insert this address on the
CC:Address line of the email. By asking the recipient to "reply to
all," a new user would in essence be time-stamping his or her
response and utilizing one of the limited-quantity response-email
5 time stamps associated with the temporary TCC:Address prefix.

Referring to **FIG. 3A**, the first example of an email
addressing scheme is the name value pair addressing scheme. In
this example, the full TCC:Address is exemplified by
Proj158.Cln103.PW001.Emp001.Firm123@TCCmail.com (**301**). The first
10 entity is "Firm123," in which the firm name is associated with the
value of 123 to identify the firm. Similarly, the employee (or
Username) is identified as employee 002, the TCC:Address password
is identified as 001, the client is identified as client 103, and
the project is identified as project 158. The particular example
15 shown is only one option. For example,
P158.C103.W001.E001.F123@TCCmail.com is associable to identical
values. Note that codes do not have to be numeric and field names
do not have to be as presented; conformity standard will be
dictated by the market, language, personal preferences, etc.

20 The advantage to coding the email address with name value
pairs such as these is that a user can easily become familiar with
the mechanism and thereby immediately recognize if a TCC:Address
email address is correct and be able to generate such codes
himself. An additional advantage is that provision is made to
25 specify a wide range of billing-associable details for the
particular detailed billing desired, so maximum flexibility is
achieved. Although the delimiter is presented herein as ".", other
delimiters are usable and are within the scope of the invention.
Further and optionally, if the width of the entities is set, no
30 delimiter would be required.

However, in order to ensure correct parsing of fields
irrespective of their order, the name value pair scheme presented
results in a long address, which may not be desirable to all
users, such as users of popular mobile computing devices with
5 small keyboards or users with difficulty typing. Fixing the order
would only allow for a slightly shorter prefix. Most email clients
provide some form of "auto-discovery" of recently used email
addresses, therefore once a TCC:Address prefix has been used even
once, there is good chance it will be auto-discovered and auto-
10 completed when the user starts to type it.

FIG. 3B illustrates a second email addressing scheme method,
a derived addressing scheme, whereby the TCC:Address is
simplified, using only the project name as an IDENTIFIER - with
the other values derived from email-transmission data or manual
15 cataloging. The example given in **FIG. 3B** is Proj158@TCCmail.com
(**310**).

If usernames can be uniquely distributed across the demanding
server **20**, then Firm **311** can be removed as a parameter. Then,
Username **312** (employee name) can be removed if the "TO: Address"
20 or the "FROM: Address" can be accepted as, or associated with, the
Username. If reasonable security is acceptable, TCC:Address
password **313** can be removed as a parameter if the IP(s) in the
user's identity profile is consistent with the IP(s) of his mail
server(s) and/or the IP(s) of his device **30**. (Optionally, the
25 TCC:Address password can be appended to the end of Proj158, as in
Project158.PW313@TCCmail.com; thus shortening and simplifying the
TCC:Address, yet providing an extra measure of security.)
Optionally, Client **314** can be removed if Project **315** is unique to
the Firm and if manual association or registration is set up using

the administration tools accessed by the firm or corporate administrative console **240**.

Using the derived addressing scheme of addressing, by default, the certification of the received email **25** would not be initiated unless the firm, username (employee), TCC:Address password, and client could be derived or removed as a required parameter. If an email **25** is received in which the parameters cannot be derived or removed, a return email to the sender expressing the problem can be sent. Alternatively, if so configured for the user, the TCC:Address prefix can be used to dynamically create a new client (folder) and/or project if they do not already exist. New client folders and/or projects can be in a pending state awaiting acceptance (which would be desirable in case the user made an error entering the TCC:Address prefix); emails in a pending project may be moved to another project.

If the sender **130** desires to allow a subsidized certified reply offer to be extended, this can be enabled **252 (FIG. 5)** in the corporate administrative console **240**, as preferably the default is to not allow subsidized recipient certified replies. Preferably at least one of the addresses in the "TO: Address" field or the "CC: Address" field would be registered to allow association of the subsidized certified reply with the user's account. Otherwise, the subsidized certified reply would not be processed unless the recipient **140** was also registered to use the certified email system. Optionally, as described above, limited-quantity response-email time stamps associated with the temporary TCC:Address prefix could be provided.

FIG. 3C illustrates a third email addressing scheme, an ad-hoc addressing scheme, whereby the TCC:Address is simplified. The end user can freely enter any numerical or alphabetical text he

desires, without having to register the ad-hoc IDENTIFIER of the TCC:Address in advance. (For example, a sender **130** can use his client name "IBM" and create a specific ad-hoc TCC:Address, such as "peterIBM3@TCCMail.com," without having to register the
5 address, the client, or the project in advance.) Then, at a later point in time, the user or a delegated assistant may log on to use the manual administrative tools **48** (**FIG. 2A, FIG. 5**) to associate the ad-hoc address with a client and project. Preferably, the text of TCC:Address **321** may indicate or suggest the client and/or
10 project, for efficiency in cataloging. With or without meaningful text, the end user or an assistant should be able to easily determine the correct cataloging based on sender, recipient(s), and content. Optionally, a TCC:Address password can be included in the ad-hoc TCC:Address.

15 **FIG. 3D** illustrates a fourth email addressing scheme, a pseudo-random addressing scheme, whereby the pseudo-random IDENTIFIER in the local part of the sender's specific TCC:Address is a pseudo-random unique alpha-numeric code. The example of a pseudo-random TCC:Address given in **FIG. 3D** is R4ND6M@TCCmail.com
20 (**330**).

The administration tools accessible in the user/participant console **260** (**FIG. 6**) allows generation **237** and display of a unique alpha-numeric code for the sender's use (one unique pseudo-random IDENTIFIER would preferably be associated with each project).
25 Depending on the limitations on users (email address, IP address, etc.) set up by the company's administrator, this code can be made as short as 4 or 5 characters and not compromise security (e.g., 29fds@TCCmail.com). Without limitations on users, the code needs to be longer (e.g., 29fds2swdf@TCCmail.com) to be able to
30 distinguish it across the demanding party **20** (and their firms or

companies) and to avoid accidental or fraudulent access attempts. When the demanding party **20** receives an email to this address, it uses the pseudo-random IDENTIFIER prefix as a key to look up the required fields. The code is preferably generated such that it
5 never includes vowels, ensuring no derogatory terms are spelled in the pseudo random code and no confusion occurs between letters I,O and the numbers 1,0. Optionally, the company administrator can have the pseudo-random IDENTIFIER code sent to an end user via email using the tools of the corporate administrative console **240**
10 or the end user can access the code via the code generation tool **237** of the user/participant console **260**. Optionally, a TCC:Address password can be included in the pseudo-random TCC:Address.

FIG. 3E illustrates a fifth email addressing scheme, a simple corporate addressing scheme, whereby the TCC:Address is
15 simplified, using only a company-associable IDENTIFIER value. The example given in **FIG. 3E** is FIRM123@TCCmail.com (**340**).

The simple corporate addressing scheme allows for a single, easy-to-remember user-specific TCC:Address, for example, firm123@TCCmail.com, where "firm123" is a well-accepted
20 abbreviation of the firm's name. Unlike the ad-hoc solution discussed above, the TCC:Address does not change to identify different projects or clients. On the other hand, like the ad-hoc solution, this would require manual cataloging **48** (**FIG. 2A**,
FIG. 5) using the corporate administrative console **240** tools to
25 identify the project or client using the addresses and content of the email. In addition to placing the email **25** in the right project registry, identifying and cataloguing using the administration tool provides a means to allocate billing charges to the right client project (if necessary). Optionally, a

TCC:Address password can be included in the simple corporate addressing scheme TCC:Address.

CONTENT MANAGEMENT

In another aspect of the current invention, a convenient,
5 user-friendly, multi-party archiving and content management system is integrated with signing and time-stamping functions to provide confirmation of data integrity. Teams or groups of participants are provided with a centralized location to access, search, sort,
10 review, time-stamp, and collaborate on project documents, registry entries, notes, time-stamped emails, and other time-stamped documents. The participant tools are accessible via the user/participant console **260** of **FIG. 6**.

Projects may be created by end users **268** (**FIG. 6**) or created by corporate administrators **230** (**FIG. 5**). In order to ensure a
15 team makeup consistent with the desires of the company, in addition to the creator, a company administrator has the ability to add or remove participants from a project. The registry will clearly indicate the change and who made it. Preferably once added as a participant to a project, the user maintains access to the
20 full history of the project until the moment he is removed as a participant; alternatively, partial access may be provided to the participant based on the particular desires of the user and/or company administrator.

CORPORATE ADMINISTRATIVE CONSOLE TOOLS

25 **FIG. 5** presents the user-friendly tools and configuration settings of the corporate administrative console **240**, which are available to the corporate administrator (who may or may not also be an end user). The certified email system of the present

invention is configured with appropriate functionality to provide the tools for use by the corporate administrator, in his administrative capacity. Additionally, a corporate administrator may be a user or participant in one or more projects, and, as
5 such, may additionally access and use the tools available in the user/participant console **260** of **FIG. 6**.

The corporate administrator can create **250** one or multiple user accounts, either manually or through automated means, such as by uploading a comma separated value (CSV) file. An email
10 invitation can be sent, automatically or manually, to newly created users. Employees can be added with employee-specific information, such as an email address, employee ID, etc. The administrator can authorize **251** participants, such as, for example, clients, associates, or advocates, with invitation emails
15 optionally automatically or manually sent. (Optionally, users can be authorized to add participants who are automatically accepted.) The administrator can set **252** user and participant privileges and parameters.

If using the pseudo-random addressing scheme, the
20 administrator can generate **253** the unique alpha-numeric code(s) needed. Also, the processed time stamps not already associated by other means with valid clients and projects can be manually associated **48**.

The default TSA(s) and value added service(s) can be chosen
25 and configured **255**, with further options for setting redundancy. The registry logs can be accessed **256** and the user/credit table can be viewed **257**. Also available are options (detailed in **FIG. 4**) for customizing and configuring **258** the generated time-stamp receipt.

Individual folders for particular projects can be created **230** and managed, with access given to appropriate clients, lawyers and other participants. Also, preferably included in the project folder functions **230** is a "project history" report feature, 5 whereby, upon request, the corporate administrator is presented with a (preferably searchable) list of all projects associated with his users under management. The report may present any or all of the following: project name; creation date; number of active 10 participants; number removed; number of registry entries; credits used to date; credits used last month (or bi-monthly); and current credits used. Selecting a project name will preferably bring up its registry. Selecting the participants will bring up a list of participants. Selecting credits used will bring up a summary of credit use by user for this project. An alternate drill down link 15 provides complete accounting of all the credits used that includes: user, date, product, and credits. Additionally, from the "project history" the administrator can inactivate a project, or reactivate an inactive project.

Time-stamp (TS) and other service or product usage reports 20 can be created and/or viewed **231**, and can also be downloaded and/or exported **232**. Blocks of credits can be managed and purchased **234**; also, if provision is made with the operator of the demanding party **20** corporate account holders may be issued financial credit to be applied against usage.

25 A payment scheme (**FIG. 10**) may be selected **233**. If blocks of credits are to be bought **234** under the payment scheme selected, then they may be distributed among the users under the administrator, either equally, manually, or as needed, as desired by the administrator.

The corporate administrator may also manage **228** digital certificates for signatures, authentication, and encryption and decryption. This is in support of optional functionality and is not generally needed.

5 In the uncommon case that a customer needs to verify **229** his time-stamp with the third-party TSA **90** for legal reasons, the demanding party **20** is configured to allow this verification, using the file that is archived with the demanding party **20**. For example, verification with USPS can be provided for the 7-year
10 lifecycle of the EPM[®] from the USPS.

Most of the links in the corporate administrative console **240** can be expanded to show details or to access further functionality. Further, preferably included are both tools allowing specific date ranges to be studied and tools that display
15 historical purchases and usage patterns in a graph.

USER/PARTICIPANT CONSOLE TOOLS

FIG. 6 illustrates the convenient tools and configuration settings provided for users and for participants, which are accessible by logging into the web-based user/participant console
20 **260**. The user can change **261** profile settings and information, such as the account password, TCC:Address password, address, phone, email, etc. The registry logs can be accessed **262**, searched, sorted, and reviewed **263**. Time-stamped files (and other files) can be searched **264** (see Simple Search Capability below) or
25 downloaded **265**. Likewise data from the postmark **92** including the obtained time stamp can be downloaded **266**. To facilitate communication between participants, notes can be manually added **267** to projects and to folders. The user can also set up **268** projects/project folders and manipulate projects/project folders

he has previously set up, as well as moving time-stamped files and notes into the projects/project folders. As an optional function, files can be directly uploaded **269** (and optionally time-stamped or merely used for reference).

5 If allowed by the administrator, for certain circumstances (such as for an end user who wants to do some additional personal time stamps or who is not part of a firm) an alternative personal payment scheme can be selected and prioritized **235**. The user can select and/or manage **237** TCC:Addressing Schemes, including
10 generating a pseudo-random IDENTIFIER of the Pseudo-Random TCC:Address Scheme, if desired. The user or participant can also verify time stamps **238**.

 It is possible for a sender **130** to never have to directly visit the corporate administrative console **240** or the
15 user/participant console **260**, because he is merely using the TCC:Address email interface. However, such senders, their administrator, their customers, or their participants may find utility in accessing more tools in the user and/or administrator consoles. Indeed, it may be necessary in order to arrange payment.
20 Also provided is the option to allow users or participants to review historic activities organized in a registry using their web browser.

 The console (user/participant console **260**) accessible to a user (such as a company employee) is the same type of console
25 (user/participant console **260**) accessible to a participant (such as, for example, opposing counsel). However, optionally, an administrator may choose to reduce some privileges for participants, such as setting some filters for registry log **270** access.

REGISTRY LOGS, INCLUDING NOTES

The certified email system stores a variety of account information and time-stamp data with other project-correlated data in user-accessible registry (or repository) logs **270**, as

5 illustrated in **FIG. 7**. Exemplary viewable registry logs (most of which are viewable and/or downloadable) include user account information **271**; client time-stamped email usage (TCC:Address) **272**; employee (user) and participant time-stamp usage (TCC:Address plus website-based uploads) **273**; participant's usage of files and

10 emails (web-based) **274**; employee (user) and participant usage of files and emails (web-based) **275**; participant's user notes **276**, employee user notes **277**; time stamps with emails and attachments **278**; time stamps with web uploaded files **279**; optional ability to view purchase records **221**; time-stamp of the "registry logs to

15 date" **222** (time-stamping the text content of the registry entries to the current date, such as the notes and systems messages); actions of administrator such as changing settings or adding or managing accounts **223**; emails, attachments, and/or web uploaded files without time stamps **224**; project creation and manipulation

20 **225** (including creating and renaming projects and/or folders); and system entries and/or notifications **226** (such as, for example, time-stamp errors or delays).

DEMANDING PARTY COMPONENTS

Referring now to **FIG. 8**, more details about the architecture

25 and optional components of the demanding party **20** are presented. As illustrated, a demanding party **20** may comprise a web exchange platform (WXP) **84 (a, b)**; an affiliate presentation that includes web access, herein referred to as a trusted affiliate presentation (TAP) **85 (a, b, c)**, and an email front end (EFE) **70 (a, b, c)**.

Additionally, a web site **77** allowing web-based administration and multi-party archiving and content management (integrated with signing and time-stamping functions) may be run by the demanding party **20**.

5 The email front end **70** receives emails **25**, parses **35** (**FIG. 2A**) the contents, and makes the appropriate calls to the web exchange platform **84**.

 The web exchange platform **84** receives calls from the email front end **70**, prepares the time-stamp event, calls **241** the WSTC
10 **50**, transmits **87** the conduit-input data and call, files the request **43** (**FIG. 2A**) and postmark receipt **41** (**FIG. 2B, FIG. 9**), and provides a web presentation interface to users **30**. The web exchange platform **84** also preferably presents to the user a web site **77**, allowing access to the corporate administrative console
15 **240** (**FIG. 5**) and to the user/participant console **260** (**FIG. 6**), as well as uploading of files **76** for time-stamping **279** (**FIG. 7**) or for registry storage **224**.

 The Trusted Affiliate Presentation (TAP) **85** is a branded consumer-facing front end of a web exchange platform **84**. The TAP
20 **85** may (or may not) be administered by an organization other than that running the web exchange platform **84**. Specifically enabled in the TAP **85** are administrative functions, such as, for example, centralized purchasing and sharing of credits as well as client/project usage distribution reports with the option to
25 export to in-house billing systems. A TAP **85** may meet the market need for recognizable, respected branding.

 Other architectural configurations are also provided. For example, without departing from the present invention, the demanding party **20** may comprise an integration of the TAP **85** and
30 the email front end **70** into a single component; or the demanding

party **20** may comprise a single TAP **85** having the functionality of the email front end **70** and the web exchange platform **84**; or, although discussed separately, the demanding party **20** and the WSTC **50** may be combined into a single architectural element.

5 Optionally, the WSTC **50** may be accessed directly (usually through its secure web services API) by customers who do not need the functionality of the demanding party **20**.

 The web exchange platform **84** is customizable to meet the requirements of its operator. The web exchange platform **84** may
10 also be accessed through its secure web services API by customers who would like to integrate their systems and automate their processes.

VERIFICATION UTILITIES

 Referring now to **FIG. 9**, a further aspect of the present
15 invention provides two convenient web-based automated verification utilities **150** (**FIG. 1**). These two verification utilities **150** are in addition to, and complementary to, the time stamp verification provided in the user/participant console **238** (**FIG. 6**) and in the corporate administrative console **229** (**FIG. 5**). These two web-based
20 automated verification utilities **150** provide functionality to compare and to attempt to verify a challenge file **220** (which may be a file or an email with any attachments that is believed to be previously time stamped) with a time stamp, whether or not the challenge file originated from interaction with the demanding
25 party **20**. The two easy-to-use verification utilities comprise a Content-Proof Verifying Tool and a Verify HASH Tool. Although the verification utilities **150** can independently verify challenge files, some verification methods rely on information in one or more archives **222**, such as the database(s) **66** of the demanding

party **20** or database(s) **103** of the WSTC **50** or other postmarking or time-stamping archives.

The Content-Proof Verifying Tool conveniently verifies particular email elements (such as the content or the attachments) of the challenge file. The Verify HASH Tool conveniently verifies whether a time-stamp receipt is valid for a given challenge file. Optionally, the verification tool **150** can additionally be configured to do digital signing, digital signing verification, encryption, decryption and hashing.

The registry entry for a time stamp **278, 279 (FIG. 7)** can be expanded to view details such as postmark receipt data including the File Signature HASH **199 (FIG. 9)** of the email (or file), the File HASH (**71 (FIG. 2A)** or **96 [FIG. 2B]**) of the email (or file), the postmark date, and the time stamp authority tracking number. Also accessible via links are the file signature and TSA signed time stamp contained in the postmark **41 (FIG. 2B)**. This same information may be sent in the notification receipt **27 (FIG. 1)** to the email recipient and/or sent in the informing email announcement **29 (or 28)** to the sender **130** (informing him of the completion of the time stamp and possibly the receipt of the notification email **27**) and/or uploaded to the registry **270 (FIG. 7)** and viewable in the registry log **262** display of the User Console **260 (FIG. 6)**.

The postmark **41** receipt data from the TSA is sufficient to confirm the time stamp's validity without further third-party involvement; a detailed description of this process is preferably available upon request and may be included on the demanding party's FAQ. Unfortunately, the process is not easy for the average user to execute.

In addition, when using email files, the process may not work. The original email cannot be used for direct HASH comparison, although the end user may not appreciate this fact. The sender **130** may have an email he created as a text document **139**, such as in Microsoft Word[®], then sent with his computing device's email client or service **37** and now is found in the "sent folder" of his email client **37**. But if a hashing **197** algorithm is used to produce a regenerated HASH value **198** (either from the email client **37** "sent folder" or from the original content **139**) this regenerated HASH value **198** will not match the File Hash that was signed by the demanding party **20** (using its hashing and signing engine **89**, **FIG. 2A**) and used by the TSA **90** to generate the File Signature HASH **199** of the email **25** (although the textual content is identical), due to the changes to the email header information during transport; therefore, the regenerated HASH value **198** of the email in the "sent folder" of the email client **37** will not match the File HASH (the HASH produced by, and preferably signed by, the demanding party **20** and then sent to the WSTC **50** and on to the TSA **90**) of the email received by the demanding party **20** or the File HASH (using the same algorithm **197**) of the email received by the recipient **40**. As such, the File Signature HASH **199** generated by the TSA **90** will not correspond **195** to either regenerated HASH **198a**, **198b**.

The Content-Proof Verifying Utility will provide users with the ability to verify the content **139** of a file or email with its attachments after it was sent. (This functionality is separate from, and in addition to, the verification described above in block **229** of **FIG. 5**, which provides verification of the end user's time stamp with the file that is stored on the demanding party server.)

A user presents a challenge file 220 to the Content-Proof Verifying Utility. The Content-Proof Verifying Utility will allow a user to drag and drop a sent email (purportedly a previously time-stamped email) from his "sent items" directory of email client **37** or document content **139** accessible to the user's computing device into an indicated area in an operable drag-and-drop utility (a "bucket") on the Content-Proof Verifying Utility. Alternatively, the user can browse for a file and upload said file via an upload utility or, optionally, an end user may even paste the file contents into a prompt. In yet a further alternative, a user may forward a verification-request email requesting verification to the trusted carbon copy provider, e.g., verify@tccmail.com established for the purpose of providing this utility, with the result being emailed to the requester's "reply" email address.

In an effort to make the verification very simple, the Content-Proof Verifying Utility will provide a feature that will compare files and provide a positive content verification ("Content Verification Passed") or negative content verification ("Content Verification Failed") response to the user. Substantially, the Content-Proof Verifying Utility will compare the file provided with a copy of the file that is stored in archive **222**, such as on the demanding party servers. The inconsistencies that may exist between a file stored on a user computing device and the time-stamped copy on the demanding party servers will, if from the same source, consist of email header information; thus the Content-Proof Verifying Utility will not decline a positive verification if the content alone is identical.

To demonstrate that the File Signature HASH **199** of the email file received by the demanding party **20** corresponds to the

regenerated HASH value **198** (of the "sent items" email file **37** of the sender, of the regenerated HASH value **198** of the "inbox" email file of the recipient, or of the content **139** of the sent email stored elsewhere on the user's computer) the Content-Proof

5 Verifying Utility proves the content of the document, file, "sent items" email, or "inbox" email is contained in the time-stamped email and that no additional content exists therein and that content is not missing (thus meaning that the content has not been changed). Submitting the challenge file (document, content, "sent

10 items" email, or "inbox" email) to the Content-Proof Verifying Utility results in the files being compared **191** and the exact differences between the time-stamped file and the challenge file delineated. The content-verification result is preferably one of the following forms: "complete match," "body and attachments

15 match," "body only match," "attachment only match," or "no match." Details may be presented if the user selects "details." In the case of the body and header, the details will present the specific content that has been added to or is missing from the submitted challenge file. To ensure credibility, the time stamp of the

20 original file is verified.

An additional option to assist end users in verification is to provide a copy of the actual file that was time-stamped which, by definition, would have a matching HASH. This could be provided, preferably through a link or as an email attachment, in the

25 notification email **27** to the recipient and/or the informing email announcement **28, 29** to the sender **130**. Also, the registry provides access to a copy of the email file (block **278, FIG. 7**) that was time-stamped and by definition could be hashed to produce the matching HASH. This HASH would correspond with (but not match) the

30 File Signature HASH **199**.

The Verify HASH Tool is a potentially independent service option that automates the verification process whereby anybody can verify whether a time-stamp receipt is valid for a given file or email and its attachments.

5 In one application, a user would have the ability to verify if the regenerated HASH value **198** of a file matches the one contained in the file signature corresponding to a valid time-stamped receipt, the stored File HASH generated using the hashing algorithm **71 (FIG. 2a, FIG. 9)**, that may potentially be stored on
10 the demanding party server archives **66**. This need might arise if the File HASH of a file has been lost or disassociated from the file. The user can login to his account on the demanding party **20** and drag and drop a file into the Verify HASH Tool "bucket" or browse for the file. The resulting regenerated HASH value **198** can
15 be presented, and the demanding party's database archives **66** can be searched for any matches among stored File HASH Values. (For privacy reasons this search may be limited to the customer's time stamps). Alternatively, the File HASH may be provided directly; the File HASH can come from any source including earlier storage
20 and publicly available tools applied to a file. If a match is found, the corresponding stored time-stamp receipt is validated. This is an absolute verification of the digital signature and time-stamp information; thus, the "Content Verification Passed" return would only be provided if the file comparison is 100%
25 identical. If a matching stored File HASH belonging to the user is not found on the demanding party's servers, then the user can (if the service is enabled) optionally submit a time-stamp receipt obtained through any means to test against. The Verify HASH Tool can be configured to accept time-stamp receipts of other
30 providers. As the Verify HASH Tool can perform hashes of any file,

optionally, a single file or multiple files can be submitted and their HASHs compared.

Therefore, the present invention provides web-based straightforward verification utilities **150** that automate the verification process. With these verification tools **150**, end users can easily verify whether a time-stamp receipt is valid for a given file (if the time stamp was originally received from the demanding party **20** or even if the time stamp was received from a third-party provider). A single destination for independent Public Key Infrastructure (PKI) verification is highly advantageous to the average end user.

SIMPLE SEARCH CAPABILITY

The Simple Search Capability will provide users with the ability to do simple keyword searches inside of the user/participant console **260** (**FIG. 6**) registry. The Simple Search Capability will at least provide users with a list of all entries that include the keyword that has been searched. Other enhanced search engine capabilities can optionally be provided, such as filters and a variety of styles of search query syntax and ranking results from Probabilistic, Boolean or other search logic.

From within the registry, users may wish to search as they do from within an application such as Microsoft Outlook[®]. They can search the current open project, the current open folder, the current open folder and subfolders, all folders, and/or a selection of folders. The results of a project search would be preferably presented by highlighting (or filtering to) compliant entries in the registry. Matching text itself is preferably further highlighted.

The folder tree address, along with a section of the line of text that contains the searched-for text, is preferably provided as a search result. Clicking on the folder tree address opens that project and presents the result as if the project was searched for the text. Preferably forward and backward navigation is provided.

Further advanced search options, allowing for expansion or restriction of search criteria, are optionally provided. For example, the Simple Search Capability of the present invention can be configured to search based on any or all of the following:

- include (attachment or uploaded) file types whose content may searched;
- limit the date range;
- exclude registry notes;
- restrict registry entries to selected types;
- search only folder names;
- restrict registry entries to specific participant(s) or system;
- display first found, only most recent or oldest entry;
- included in email body content;
- included in specific email field ("TO: Address," "FROM: Address," subject field, etc.).

With more elaborate search capabilities, a more sophisticated search engine, indexing, ranking and storage solution are provided.

Further, all the reporting tools support advanced search such that all fields may be filtered using wildcard notation or ranges (as is appropriate with dates for example). A search result may be refined to narrow a result set further, may be sorted by any field (ascending or descending), and may be exported to a CSV file.

25 FIRM OR CORPORATE PURCHASE METHODS

Referring now to **FIG. 10**, from within the corporate administrative console **240 (FIG. 5)** the corporate administrator may select from available payment schemes or methods **233 (FIG. 5)** that are offered by the demanding party **20**. A first exemplary

purchase method is the credit block purchase method **261** and a second exemplary purchase method is the pay-as-you-go purchase method **181**. Each method has advantages.

When using either method a firm or company will decide
5 whether it will purchase credits on behalf of its employee accounts or if employees will be responsible for purchasing credits for themselves.

In the credit block purchase method **261**, a quantity of credits (generally having an expiration date) are purchased **234**
10 (**FIG. 5**) in a block, with the associated price per credit based on the quantity purchased; a larger purchase can result in a lower price per credit (either credits for time stamps or for other providing party services).

The pay-as-you-go purchase method **181** comprises three types
15 of purchase plans: an individual ongoing purchase plan **288**, a prepaid declining balance purchase plan **287**, and a threshold **289** purchase plan. In the pay-as-you-go purchase method **181**, preferably a credit card is kept on file. Optionally, but less preferably, the company or customer using the pay-as-you-go
20 payment method could be invoiced.

In the individual ongoing purchase plan **288**, each credit is potentially charged as the time stamp is used. The individual ongoing **288** charging system would generate numerous small charges, which might not be desirable for some companies or customers.

25 A pay-as-you-go threshold **289** purchase option allows for charging when a threshold of credits is reached (in the special ongoing **288** case the threshold of credits is 1). Thus, the numerous small charges associated with the individual ongoing purchase plan **288** are effectively consolidated and charged when

the threshold is reached. If the threshold is not met in a certain amount of time (for example, monthly), the account is then automatically charged the current balance. The down-side for the demanding party is that it will have to predict credit usage (it
5 may have to advance purchase from TSAs **90** and PPs **299**) and will have to advance credits to the company using the service (e.g., give financial credit to the companies).

A prepaid, declining balance system **287** could be used, wherein the company pays an initial prepayment and the balance
10 declines until a threshold is reached, at which point the company's credit card is automatically charged another prepayment. The prepaid, declining balance system has an advantage to the demanding party in that no advance of credits to the company using the service is required (e.g., no financial credit to the company
15 is required).

The pay-as-you-go purchase method **181** provides convenience, negating the need for credit distribution and greatly reducing the credit management overhead, yet potentially results in higher costs, plus the demanding party must manage expiring or rejected
20 credit cards.

The credit block purchase method **261** provides the company or customer the possible option of a lower cost per time-stamp credit, with the risk of credit expiration and wastage and potentially with a management overhead to distribute the credits.

25 The credit block purchase method **261** is presented in two alternatives, the ad-hoc credit block purchase method **262** and the automatic credit block purchase method **263**. In both, the firm's administrator preferably has the option to distribute **234 (FIG. 5)** credits to his end users or to allow them to draw from a company
30 pool. The pool provides ease of management, but reduced control.

Preferably there is a "distribute all" button that may intelligently allocate the administrator's balance to users based on recent usage patterns and individual balances. Optionally the "distribute all" button may allocate credits equally or following
5 an administrator-designated scheme.

While generally the credits are used on a soonest-to-expire basis, preferably there is a customizable prioritization of credit usage, most preferably allowing the end user to choose between using only credits in a corporate pool, using only credits self-
10 purchased, preferentially using credits in the corporate pool before self-purchase, preferentially using self-purchased credits before corporate pool credits, and preferentially using first-to-expire. This may be set on a project-by-project basis.

The ad-hoc credit block purchase method **262** is a standard
15 process in which, when logged into the corporate administrative console **240 (FIG. 5)**, the administrator selects a quantity of credits to purchase (with an associated price per credit displayed in the discount schedule); then he proceeds with an e-commerce checkout **234 (FIG. 5)**. Payment is typically by credit card;
20 however, for large volume where a credit arrangement has been made, the corporation may request to be invoiced.

In the automatic credit block purchase method **263 (FIG. 10)** the administrator will establish the guidelines for automatic purchasing of credits when inventory becomes low and for the
25 number of credits for which the automated purchase is to be made.

With both the ad-hoc credit block purchase method **262** and the automatic credit block purchase method **263**, notification alerts (with different levels of criticality) can be set for a balance threshold, for unusually high activity, for credit card denial,
30 for credit card receipts, etc. Yet it remains the responsibility

of the administrator to manually monitor the credit balance for his firm.

Preferably, using the firm or company purchase history, usage patterns, current status, and interrelationships between various products, an algorithm similar to EOQ (Economic Order Quantity) algorithms can be used to recommend credit volumes to purchase and to potentially make the purchase automatically.

Billing reports, a consolidated report of credits and their cost used by project for the period indicated, can be generated, irrespective of payment method.

WSTC APPLICATION PROGRAMMING INTERFACE

The demanding party sends authenticated calls of various types to the WSTC Application Programming Interface (API) with a number of parameters specifying the details of the request. As illustrated in **FIG. 11**, the primary call types are the following: credit call **121**, service call **122**, verification call **124**, cancellation call **125**, and retrieval call **126**. Default parameters are preferably initially set so that calls received in standard format do not need to specify all parameters (e.g., providing party to be used, archiving of data) before accessing the WSTC API.

The credit call deals with the demanding party's time-stamp credits with the WSTC. In a similar manner as the time-stamp credit purchase methods described above and shown in **FIG. 10**, the demanding party may purchase time stamps in credit blocks **361**, either through automatic **363** or ad-hoc purchases **362**. A single pricing schedule may be set in a single currency for all demanding parties or special pricing may be established for each demanding party.

The credit call functionality includes the following: credit balance reports, credit usage reports, credit purchase requests (for a specific providing party **90, 110, 299** or for general usage), and credit automation (a number of parameters including
5 threshold at which a specified number of credits are purchased automatically for a specific providing party **90, 110, 299** or for general usage).

The service call functionality that can be requested by the demanding party **20** includes the following services: hash, encrypt,
10 decrypt, sign, archive, providing party request, time-stamping **241**, renewal of time stamps, reports of historic time-stamp receipts and transactions.

The verification call can be used to verify a time stamp, either independently or through the TSA from which it was
15 provided. The WSTC can verify the time stamp, upon submission of the original file and the time-stamp receipt; the WSTC can perform verification with less information, but the submission of the original file and the time-stamp receipt allows for an independent check that does not rely on the content of the WSTC database.
20 (This varies from verification **93**, done routinely as a cross-check when generating a time stamp for a demanding party **20**, in that verification **93** includes confirming that the HASH of the file signature is correct.) In certain situations, however, it may be desirable to perform the verification with the TSA issuer of the
25 time stamp. The verification call returns the date-time stamp of the time stamp, if it is valid, or an error message, if it is not.

Another verification call requests the WSTC to attempt to verify if, and when, an original file has been time-stamped. For example, given only the original file, the WSTC can perform a hash
30 and then search for the regenerated HASH in its database **103** of

historic time stamps and related data. If the file HASH is found, the time-stamp receipt can be accessed to complete an independent verification. Similarly, the demanding party **20** can instead provide only the file HASH, only the tracking number, only the file signature HASH, or only the file signature; to find the time-stamp receipt, the database can be searched for the provided data or a key derived from the provided data. The demanding party **20** provides the available information and verification method it wishes to use; the WSTC bases the cost on the method chosen.

10 A further use of the verification call is employed in situations where a third party was not able to complete a time-stamp request and the demanding party **20** has been advised that the transaction is pending. A verification call from the demanding party **20** can be periodically used to poll the WSTC **50** for an update. Preferably, if the transaction is not complete, the WSTC **50** will recommend a wait time before another verification call to prevent excess traffic. If supported by the demanding party **20**, another method is for the WSTC **50** to make a call to the demanding party to advise it when the transaction is no longer pending.

20 The cancellation call is used by the demanding party **20** to attempt to cancel a time-stamp service call to the WSTC that has not been processed yet. If the transaction has already been processed at the time of the cancellation call, an error message is returned indicating such.

25 The retrieval call from the demanding party **20** requests retrieval of archived data from the WSTC **50**, upon transmission to the WSTC **50** of sufficient information to uniquely identify a time stamp or desired information or files. The information transmitted could include some or all of the following data: the tracking number, the original file, the HASH of the original file, the

30

signed HASH, the time-stamp receipt, the date and time of the time stamp, the TSA(s) used, the archive facilities **110** used, and/or other providing party **299** related information. If more than one transaction performed for the demanding party **20** corresponds to the data submitted, a list of potential time stamps and information or files can be made available to the demanding party **20**; subsequent retrieval calls can use the keys provided to make specific requests.

Appropriate authentication is performed before calls are processed. It is preferred that all calls from a specific demanding party **20** come from a fixed IP space.

DEMANDING PARTY ADMINISTRATIVE CONSOLE

Referring now to **FIG. 12**, the web-based demanding party administrative dashboard or console **170** is accessible to an administrator from the demanding party.

The demanding party administrative dashboard **170** may include the following tools: Payment Processor's Administration Tool **171**, Customer Management **172**, Authentication Management **173**, Digital Signature Management **174**, Reporting Tool **175**, Pending Transaction List **176**, Alert and Notification Tool **177**, Expiring Inventory Notification **127**, Inventory/Purchase Management **128**, and Pending Transaction List **129**. The tools are operable to perform the functions named.

The Customer Management Tool **172** preferably allows the administrator to quickly track, manage, and view historical data via the following sub-tools: Search **151**, Experience Emulation or Ghosting **152**, Account Creation Log **153**, Login Log **154**, Upload Log **155**, Purchase Log **156**, Error Log **157**, Reporting **158**, Account

Creation **159**, Credit Allocation **147**, and Pending Transaction List **148**. The sub-tools are operable to perform the functions named.

The Pending Transaction List **148** reports situations where a third party is not able to complete a time-stamp or service request, so the transaction is pending. Temporary receipt reference ID's associated with the pending transactions are listed, as well as any status updates available.

The Notification Tool **177** allows configuration of a variety of alerts and alarms, such as, for example, notifications of expiring time-stamp credits, errors, pending transactions, threshold levels reached, etc.

The Reporting Tool **175** allows the administrator to view a number of reports demonstrating past performance and usage that, in addition to general usage, may be used to help ensure sufficient time-stamp inventory levels are available to meet future needs (when using the credit block purchasing method **361** of **FIG. 11**).

Through use of the demanding party administrative dashboard **170** the administrator can also manage credit blocks **128** (purchase, view expiration, view history), configure defaults (such as the default TSA or time-stamp notification components), verify a time stamp, search the WSTC database **103** (of its own transactions), and retrieve archived information.

All administrative actions are preferably logged.

WSTC ADMINISTRATIVE DASHBOARD

Referring now to **FIG. 13**, although most functionality is preferably provided using the WSTC API, the majority of these functions can also be performed through a WSTC administrative web

interface or dashboard **160**. The web-based WSTC administrative dashboard **160** is preferably accessible to an administrator from the WSTC. All administrative actions are preferably logged.

The WSTC administrative dashboard **160** will give access to the
5 Payment Processor's Administrative Tool **161**, Demanding Party
Management Tool **162**, Authentication Management **163**, Digital
Signature Management **164**, Expiring Inventory Notification Tool
165, Pending Transaction List **166**, Inventory Purchase/Management
167, Provider Management Tool **168**, and Reporting Tool **169**. Each of
10 these WSTC administrative dashboard **160** tools may be expanded to
access various functions and to drill down to access more detailed
data. A variety of alerts and alarms can be customized to alert
the WSTC administrator of the reaching of threshold levels,
expiration of inventory, error messages, and the like.

15 Through use of the WSTC administrative dashboard **160** the WSTC
administrator can add and remove demanding party administrators,
view reports, manage demanding party credits (sell, issue,
returns), manage providing party **90**, **110**, **299** credits (buy,
return), search the database **103**, retrieve archived information,
20 manage product bundle creations, and manage price and terms.

The Inventory Purchase/Management Tool **167** allows the
administrator to perform any of the following actions: manage
blocks of time stamps; purchase and return time stamps; check on
the status of time stamps purchased from one or more providing
25 parties **90**, including viewing expiration times and usage; and set
threshold and expiration alerts.

The Inventory Purchase/Management Tool **167** also allows the
administrator to perform any of the following actions: manage
blocks of providing party product credits; purchase and return
30 providing party product credits; check on the status of providing

party product credits purchased from one or more providing parties **99**, including viewing expiration times and usage; and set threshold and expiration alerts.

The Provider Management Tool **168** allows the administrator to
5 add, manage, and change the providing parties **90, 110, 299**. When
adding a new providing party **90, 110, 299**, various issues are
considered by the administrator, such as advance or minimum
purchase requirements, lead time to adding inventory, pricing and
discounts available, relationships between providing parties **90,**
10 **110, 299**, and expiration of inventory. This information is in turn
used in Inventory Purchase and/or Management **167**.

The Demanding Party Management Tool **162** allows addition and
removal of demanding party administrators; also, the Demanding
Party Management Tool **162** allows the WSTC administrator to search
15 and display demanding party administrators and their permissions.
For example, a dynamic search tool will allow the WSTC
administrator to do a parametric search (by date range, user ID,
user name, role, demanding party **20**, etc.) that will result in a
list of users and a high-level profile. Drilling down will reveal
20 a full profile and the action history, which may be filtered for
only specific action types.

The Reporting Tool **169** allows the administrator to generate a
number of useful reports (either for an individual demanding party
20 or combining all (or some) demanding parties **20**) for management
25 and tracking of financial and service objectives, e.g., inventory
purchases (by demanding party **20**, by product, by period); revenues
(by demanding party **20**, by product, by period); and transactions
(by demanding party **20**, by product, by period).

SECURITY AND HARDWARE

The WSTC **50** and demanding party (or parties) **20** are operable to perform all the functions and services as described herein; some functions and services have been described only in outline
5 form as they can be implemented using standard computing service and software design.

The novel certified email system may run on one or more servers (e.g., web servers configured to receive HTTP requests and to deliver web pages and other files via the HTTP protocol,
10 application servers, database servers, etc.) with Internet feed, firewall, switch, load balancer, and mass storage array that may or may not be shared with other functions. The novel certified email system employs a mail server (e.g., an open source mail server such as Sendmail or Exim) to receive authentication
15 requests by email and to send out receipt notifications. Some of the functionality is preferably duplicated for redundancy. The system may also run in cloud computing virtual environments such as Amazon's EC3.

The modular architecture, allowing maximum flexibility and
20 future expandability, also allows the demanding party (or parties) and the WSTC to be physically located in close proximity, such as in the same rack mount, or to be widely dispersed, such as in different countries. Provision is made for multi-lingual presentations. Security mechanisms are provided, such as, for
25 example, encryption for stored information, a firewall to protect the data files, Secure Sockets Layer (SSL) for passing credit card numbers (and other information requiring secure handling, optionally including customer files), a remote mirror site (for disaster recovery includes real-time streaming), other remote
30 (non-mirroring) backup mechanisms, local mirroring, and local non-

mirroring backup, and login authentication using email addresses and passwords or strong authentication including biometrics and/or token devices.

5 While the certified email system and method of the present invention has been described as applied to a firm, company, or organization in order to describe its complete functionality and applications, any individual can take advantage of most of the functionality herein presented. Hence, the use of the certified email system and method by an individual user is within the scope
10 of the invention.

Since many modifications, variations, and changes in detail can be made to the described preferred embodiments of the invention, it is intended that all matters in the foregoing description and shown in the accompanying drawings be interpreted
15 as illustrative and not in a limiting sense. Thus, the scope of the invention should be determined by the appended claims and their legal equivalents.

Citation List

Patent Literature

- 20 US Pat. No. 7162635 - Bisbee - 2007-01-09
- US Pat. No. 7266696 - Chamberlain - 2007-09-04
- US Pat. No. 6182219 - Feldbau - 2001-01-30
- US Pat. No. 6571334 - Feldbau - 2003-05-27
- US Pat. No. 6618747 - Flynn - 2003-09-09
- 25 US Pat. No. 7475249 - Gaucas - 2009-01-06

- US Pat. No. 7290143 - Renier - 2007-10-30
- US Pat. No. 7461254 - Rubin - 2008-12-02
- US Pat. No. 7240199 - Tomkow - 2007-07-03
- US Pat. No. 7660989 - Tomkow - 2010-2-9
- 5 US Pat. No. 6393126 - van der Kaay - 2002-05-21
- US Pat. No. 7051370 - Wakino - 2006-05-23
- US Pat. No. 6327656 - Zabetian - 2001-12-04
- US Pat. No. 5872849 - Sudia - 1999-02-16
- US Pat. No. 5509071 - Petrie - 1996-04-16
- 10 US Pat. No. 6209090 - Aisenberg - 2001-03-27
- US Pat. No. 7237114 - Rosenberg - 2007-06-26
- US Published Patent Application No. 20070208941 - Backer -
2007-09-06
- US Published Patent Application No. 20040049521 - Borrowman -
15 2004-03-11
- US Published Patent Application No. 20040255120 - Botti -
2004-12-16
- US Published Patent Application No. 20070106912 - Tanaka -
2007-05-10
- 20 US Published Patent Application No. 20070174402 - Tomkow -
2007-07-26
- US Published Patent Application No. 20050160272 - Teppler -
2005-07-21

US Published Patent Application No. 20070118732 - Whitmore -
2007-05-24

Non-Patent Literature

RPOST - <http://rpost.com>

5 AUTHENTIDATE - <http://epm.authentidate.com>

READNOTIFY -
<http://www.readnotify.com/readnotify/postcert.asp>

We Claim:

1. A method for providing a time stamp by a time-stamping system, comprising:

receiving an copy of an email from an email sender; wherein said email has at least one recipient electronic-delivery address associated therewith that directs said email to at least one recipient and has an electronic-delivery TCC:Address associated therewith that directs said copy of said email to said time-stamping system; wherein said TCC:Address comprises at least one IDENTIFIER coded within the local part of said TCC:Address; wherein receipt of said copy of said email by said time-stamping system comprises a solicitation for said time stamp;

preparing said copy of said email for submission to a time-stamp authority; and

obtaining from said time-stamp authority said time stamp for said copy of said email prepared for submission to said time-stamp authority.

2. The method of claim 1, wherein said time-stamp authority comprises a third-party Time Stamp Authority.

3. The method of claim 1, wherein said preparing said copy of said email for submission to said time-stamp authority comprises using a hash algorithm to produce a HASH value and using a Public Key Infrastructure signing algorithm to digitally sign said HASH value to create a file signature.

4. The method of claim 3, further comprising archiving at least one of said file signature, said copy of said email, and said time stamp.

5. The method of claim 1, further comprising providing said at least one recipient a subsidized certified reply option, whereby said email sender incurs the charge associated with a response-email time stamp of an email reply of said at least one recipient.

6. The method of claim 1, further comprising sending a recipient-notification email to said at least one recipient to inform said at least one recipient of said obtaining of said time stamp.

7. A computer program product comprising a computer-readable memory having stored computer-executable instructions thereon that when executed by a computer perform the method steps of claim 1.

8. The method of claim 1, wherein said method for providing a time stamp further comprises: utilizing at least one billing-associable detail to provide detailed billing for said time-stamp cost.

9. The method of claim 8, wherein said at least one billing-associable detail is derived from said at least one IDENTIFIER, and further comprising:

parsing said TCC:Address to determine said at least one IDENTIFIER; and

deriving said at least one billing-associable detail from said at least one IDENTIFIER.

10. The method of claim 9, wherein said at least one IDENTIFIER comprises at least one of the following:

a company-associable code usable to identify a corporate account;

a project-associable code associable with a project of a corporate account;

a pseudo-random code generated via a corporate administrative console and associable with one or more parameters of said detailed billing;

unregistered text usable by manual cataloging to assign said billing cost to a client;

a TCC:Address password code usable to confirm the identity of a user or a corporate account; and

a user-associable code usable to identify said user.

11. The method of claim 8, wherein said at least one billing-associable detail is derived from email-transmission data, and further comprising processing said email-transmission data to determine said at least one billing-associable detail.

12. The method of claim 1, wherein: said receiving said copy of said email is performed by a first demanding party;

said preparing said copy of said email is performed by said first demanding party to produce conduit-input data;

said obtaining said time stamp comprises the steps of:

transmitting, by said first demanding party, said conduit-input data and a first request call to a web services time-stamp conduit; wherein said first request call comprises a time-stamp request call; and wherein said first demanding party is configured with a first computer program comprising a computer-readable storage medium storing computer-executable instructions thereon which when executed implement receiving of said copy of said email, preparing of said copy of said email, and transmitting of said conduit-input data and said first request call;

receiving, by said web services time-stamp conduit, said conduit-input data and said first request call from said first demanding party;

acting, by said web services time-stamp conduit, upon said first request call; and

outputting, by said web services time-stamp conduit, data associated with said first request call; wherein said web services time-stamp conduit is configured with a conduit computer program comprising a computer-readable storage medium storing computer-executable instructions thereon which when executed implement receiving said conduit-input data, acting upon said first request call, and outputting data; and wherein said data associated with said first request call comprises said time stamp.

13. The method of claim 12, wherein acting, by said web services time-stamp conduit, upon said first request call comprises requesting a first service from a first providing party.

14. The method of claim 13, wherein said first providing party comprises a third-party time stamp authority.

15. The method of claim 12, comprising:

transmitting, by said first demanding party, a second request call to said web services time-stamp conduit;

receiving, by said web services time-stamp conduit, said second request call from said first demanding party;

acting, by said web services time-stamp conduit, upon said second request call; and

outputting, by said web services time-stamp conduit, data associated with said second request call.

16. The method of claim 15, wherein acting, by said web services time-stamp conduit, upon said second request call comprises requesting a second service from a second providing party.

17. The method of claim 15, wherein:

said second request call comprises a verification request call;

acting, by said web services time-stamp conduit, upon said second request call comprises attempting to verify a time stamp; and

outputting, by said web services time-stamp conduit, said data associated with said second request call comprises outputting a verification result to said first demanding party.

18. The method of claim 15, wherein:

said second request call comprises a credit request call;

acting, by said web services time-stamp conduit, upon said second request call comprises determining credit-related information; and

outputting, by said web services time-stamp conduit, said data associated with said second request call comprises outputting said credit-related information to said first demanding party.

19. The method of claim 15, further comprising:

receiving, by said web services time-stamp conduit, a third request call from a second demanding party; and

acting, by said web services time-stamp conduit, on said third request call.

20. The method of claim 12, further comprising:

providing a web-based corporate administrative console configured to allow creation of an account for a user and to allow management of a credit purchase option;

providing a database configured to archive said time stamp; and

providing a web-based user/participant console configured to allow said user access to said archived time stamp.

21. The method of claim 20, wherein said credit purchase option comprises a credit block purchase method.

22. The method of claim 21, wherein said credit purchase option comprises a pay-as-you-go purchase method.

23. The method of claim 19, wherein said credit purchase option comprises combining a credit block purchase method with a pay-as-you-go purchase method.

24. The method of claim 1, wherein said method for providing a time stamp further comprises determining a time-stamp cost for said time stamp;

creating one or more client folders, each of which is associated with a particular client of a particular user account;

associating said time stamp with a particular one of said one or more client folders; and

associating said time-stamp cost with said particular one of said one or more client folders, wherein such client timestamp cost association allows for detailed client billing.

25. The method of claim 24, further comprising receiving said IDENTIFIER coded within the local part of said TCC:Address, wherein:

said IDENTIFIER comprises unregistered text; and

creating said one or more client folders comprises dynamically creating one of said one or more client folders based on the receipt of said IDENTIFIER.

26. The method of claim 24, further comprising receiving said IDENTIFIER coded within the local part of said TCC:Address, wherein:

said IDENTIFIER comprises registered text; and

creating said one or more client folders comprises manually creating said one or more client folders.

27. The method of claim 24, further comprising additionally associating said time-stamp cost with a particular project linked to said particular one of said one or more client folders wherein such project time-stamp cost association additionally allows for detailed project billing.

28. The method of claim 1, further comprising:

extracting email-transmission data from said copy of said email and said TCC:Address; wherein said email-transmission data comprise said TCC:Address and at least one of: said recipient electronic-delivery address, the FROM: Address, the email header, the message originator's IP address, and transmission data of said email copy; and

utilizing at least one of said IDENTIFIER and said email-transmission data to provide categorization of said time stamp into a particular category of said message originator by associating said time stamp and said email copy with said particular category; and

archiving said time stamp and said email copy in association with said particular category.

29. The method of claim 1, further comprising:

establishing an account for an end user, wherein said end user is one of said email sender or one of said at least one recipients; and

archiving said time stamp and time-stamp-related data in association with said end user's account; wherein said time-stamp-related data comprise a body of said email copy, any email copy attachments, and email-transmission data from said email copy, wherein said email-transmission data comprise at least one of said recipient electronic-delivery address of said email copy, said time-stamp system email address of said email copy, a "TO: Address" of said email copy, a "CC: Address" of said email copy, a "BCC: Address" of said email copy, a portion of an email header of said email copy, an Internet Protocol (IP) address from which said email copy was sent, or transmission data of said email copy.

30. The method of claim 1, further comprising:

sending a notification email comprising an electronic message sent by said time-stamping system to at least one of said email sender or one of said recipients that provides notification of said time stamp.

31. The method of claim 30, further comprising:

utilizing a delivery-apprising system configured to determine delivery status of at least one of said email or said notification email.

32. The method of claim 31, wherein said delivery-apprising system comprises an executable link embedded within at least one of said email or said notification email.

33. The method of claim 31, wherein said delivery-apprising system comprises an email identification code tracking parameter configured for transmission to said time-stamping system upon request of said executable link.

34. The method of claim 31, wherein said delivery-apprising system comprises a confirmation clickable link configured to allow said at least one recipient to confirm receipt of said at least one of said email or said notification email by accessing the webpage designated by the confirmation clickable link.

35. The method of claim 31, wherein said delivery-apprising system comprises communication received from a mail server associated with a computing device of said recipient, wherein said communication comprises at least a Delivery Status Notification (DSN).

36. The method of claim 31, wherein said delivery-apprising system comprises exchanges between Mail Transfer Agents (MTAs) obtained by tracking at least one of said email or said notification.

37. The method of claim 31, wherein said delivery-apprising system comprises the request of a reading notification from a Mail User Agent (MUA) of a computing device of said recipient.

38. The method of claim 31, wherein said delivery-apprising system comprises said delivery-apprising system comprises a delivery confirmation receipt received from a Mail Transfer Agent (MTA).

FIG. 1

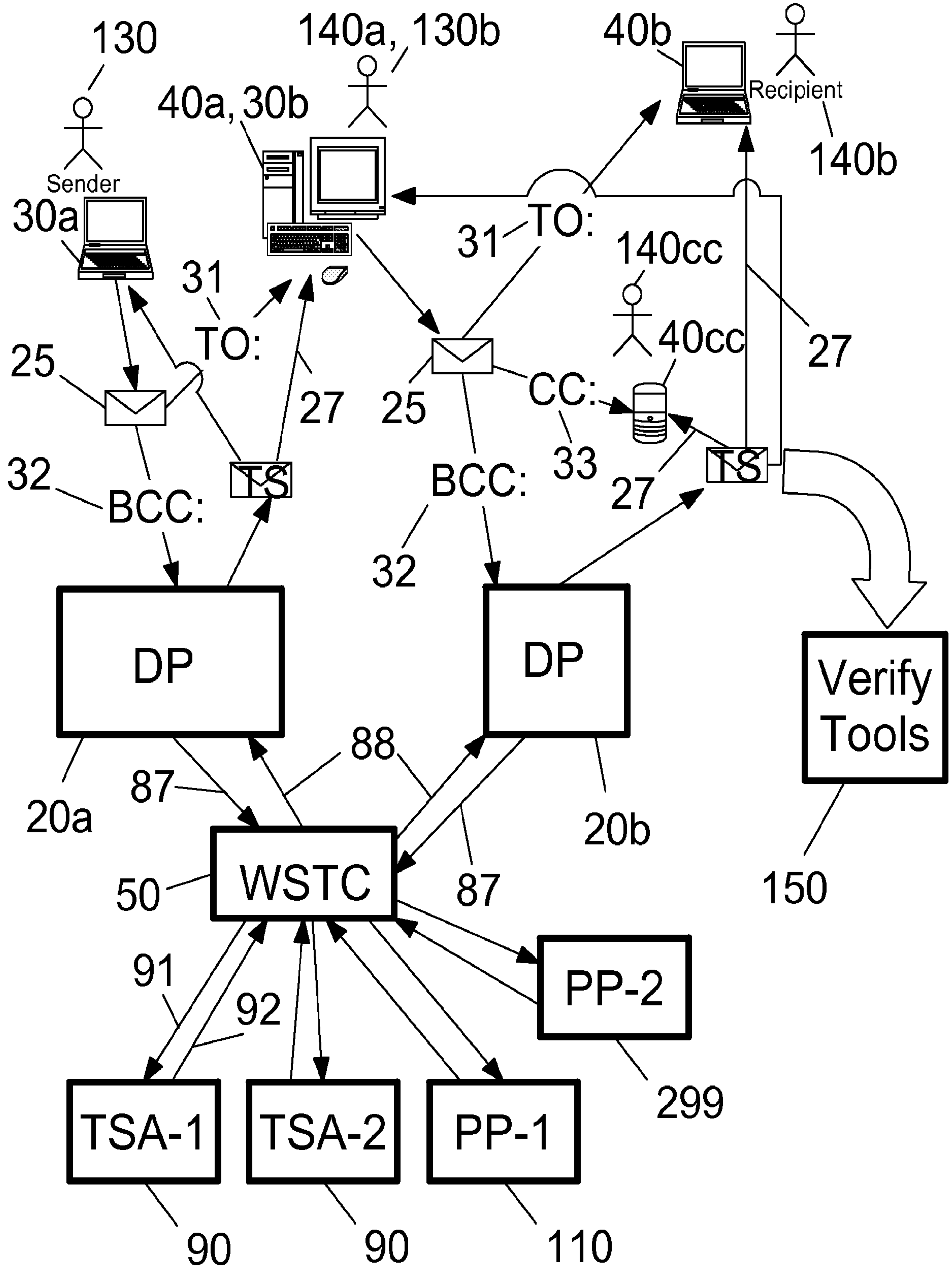


FIG. 2A

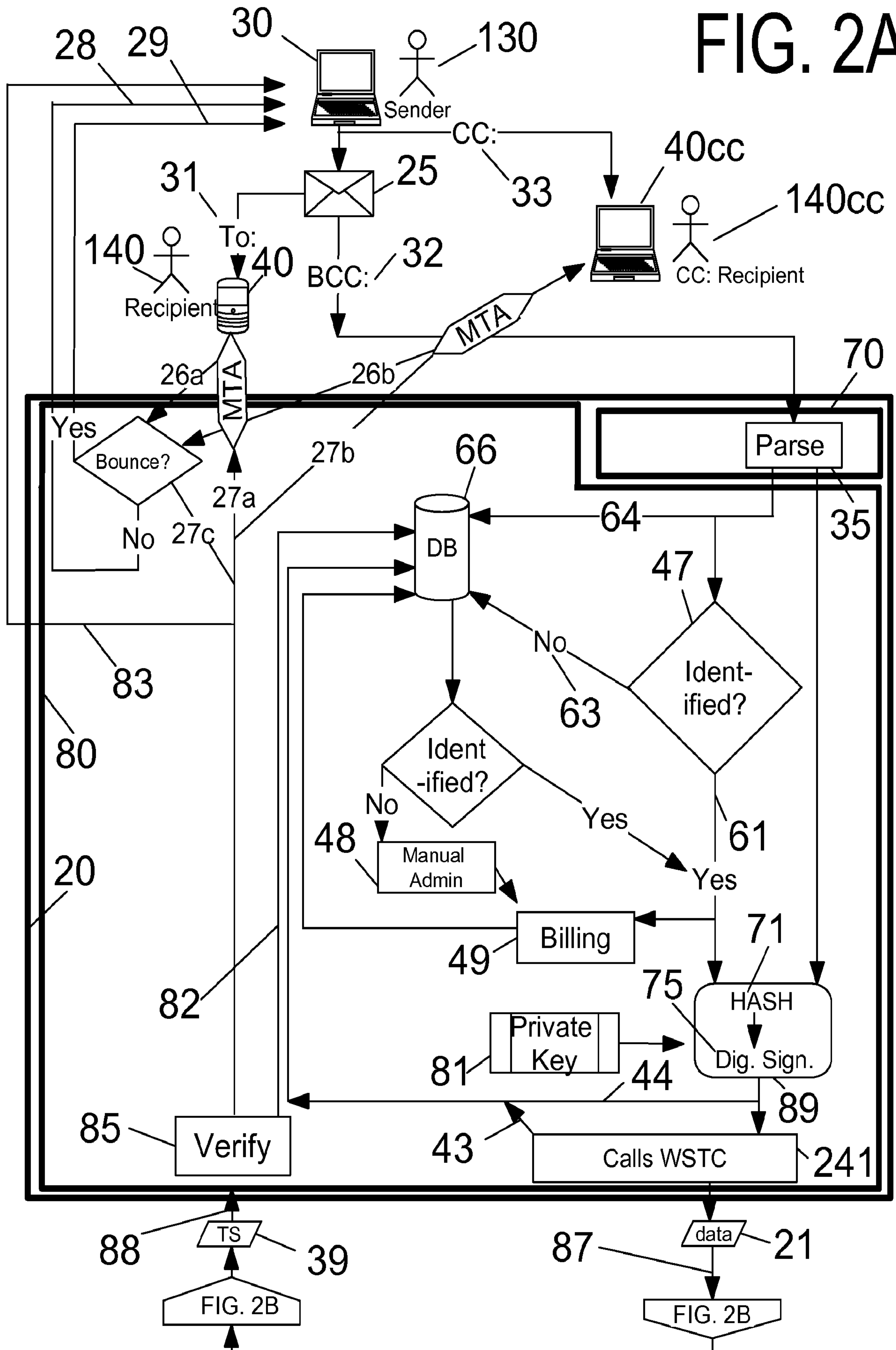


FIG. 2B

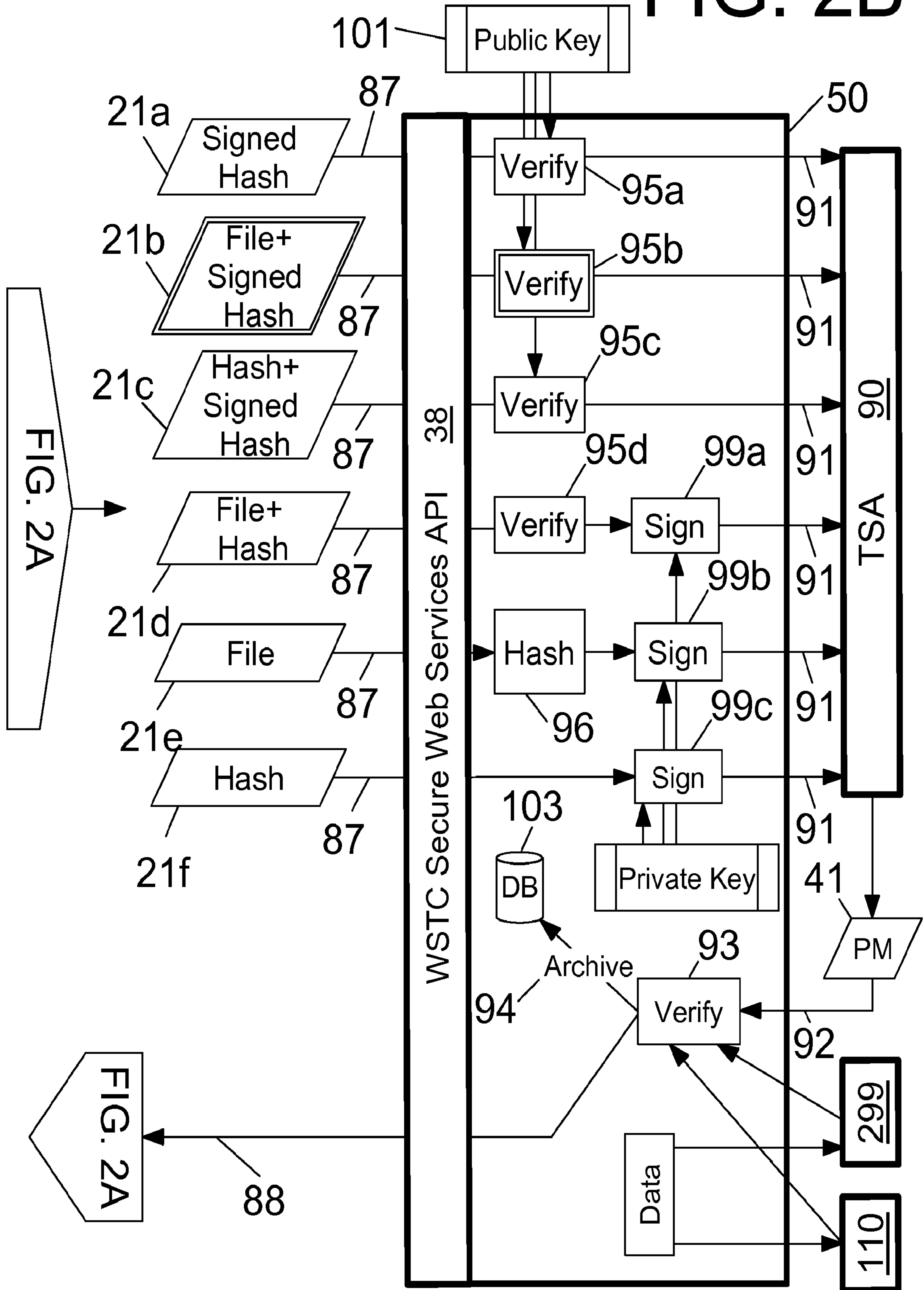


FIG. 3A

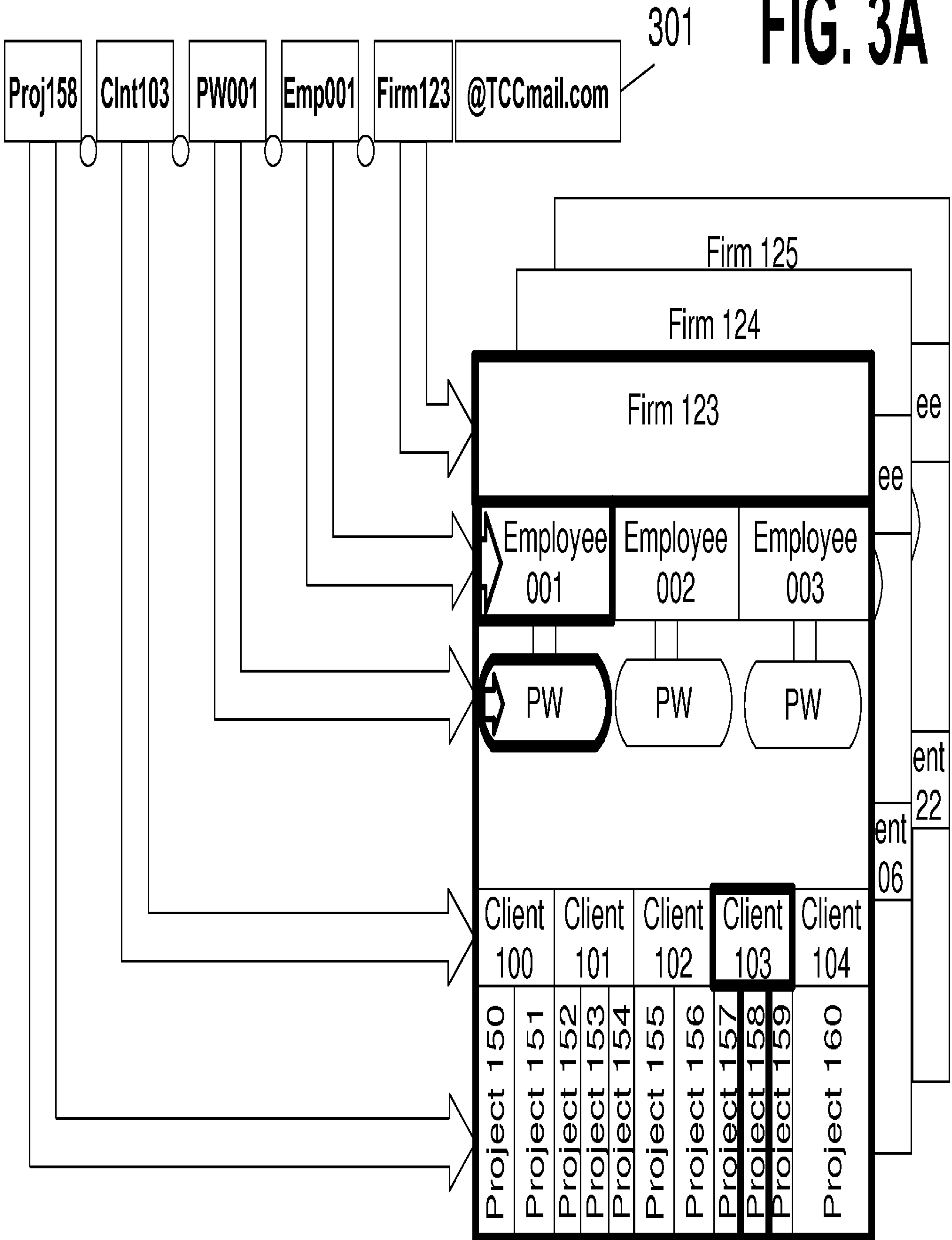


FIG. 3B

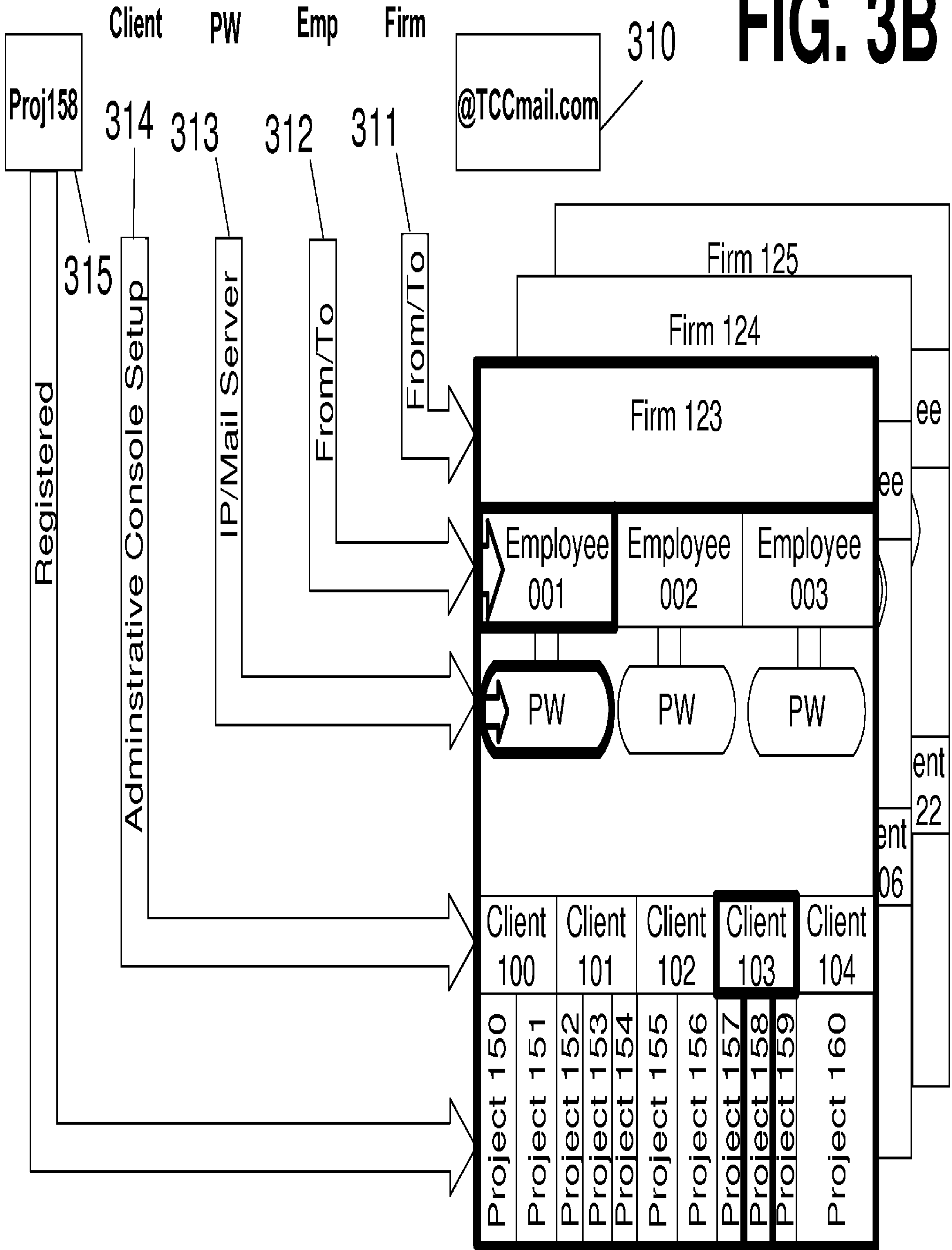
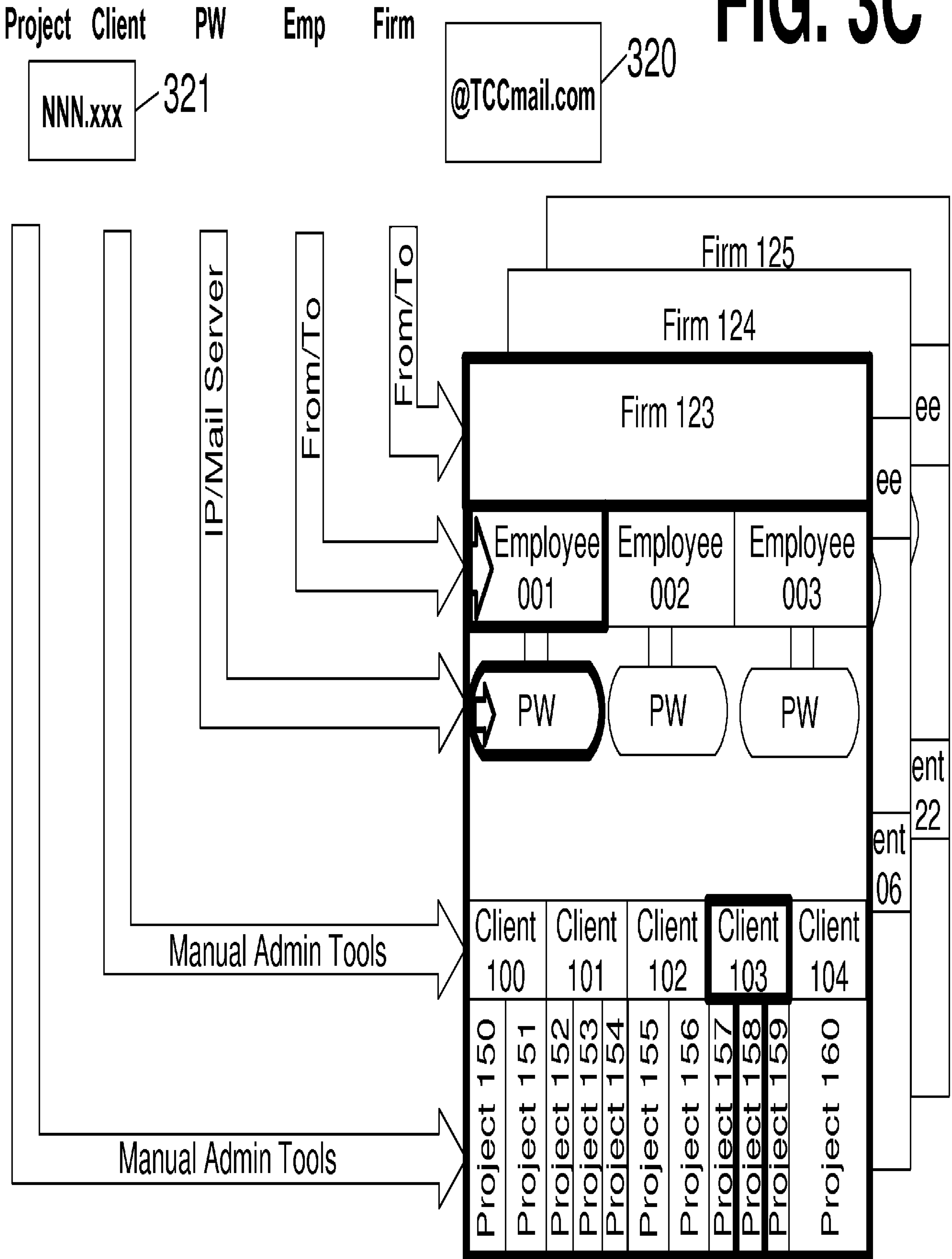


FIG. 3C



Project Client PW Emp Firm

FIG. 3D

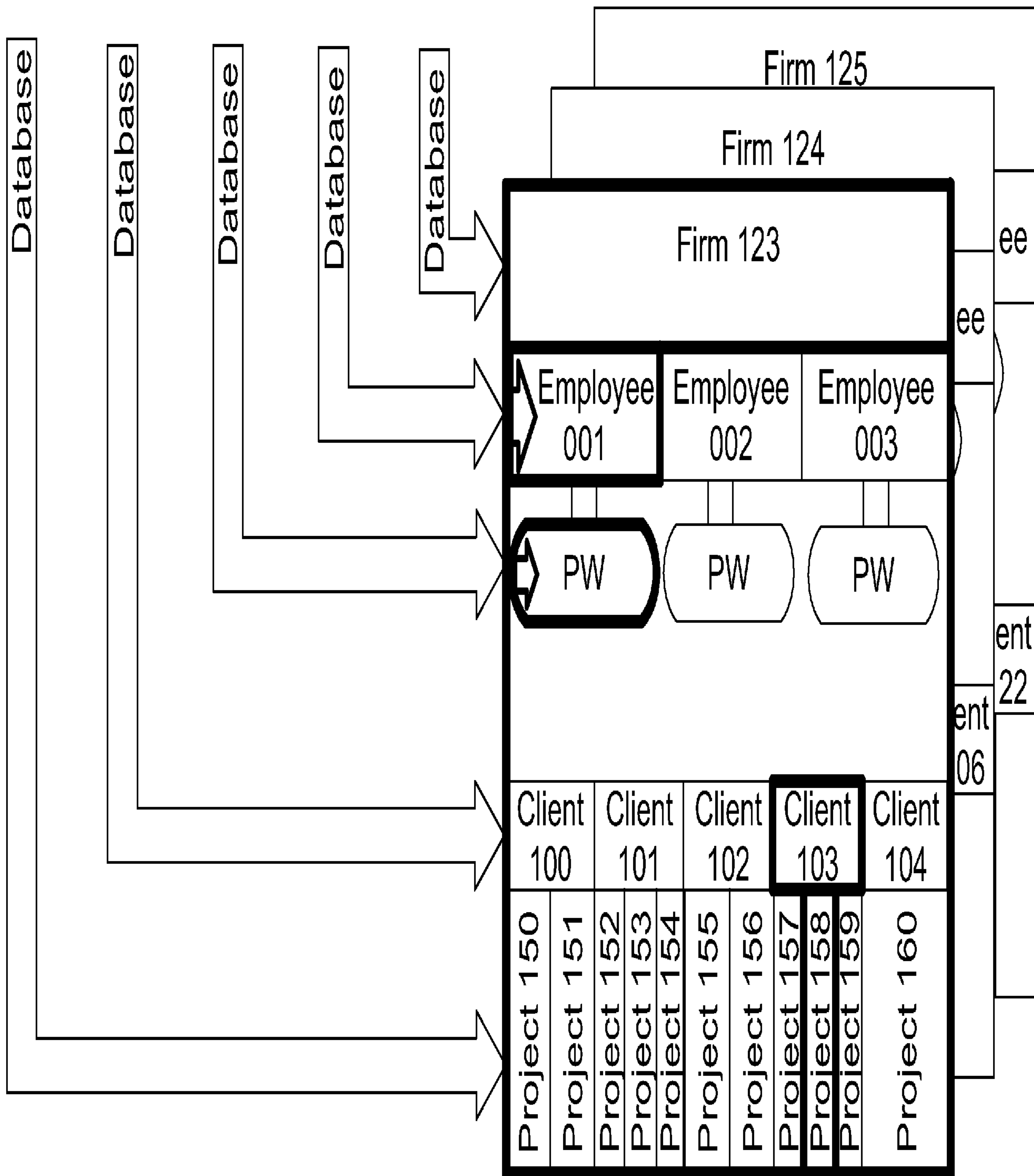


FIG. 3E

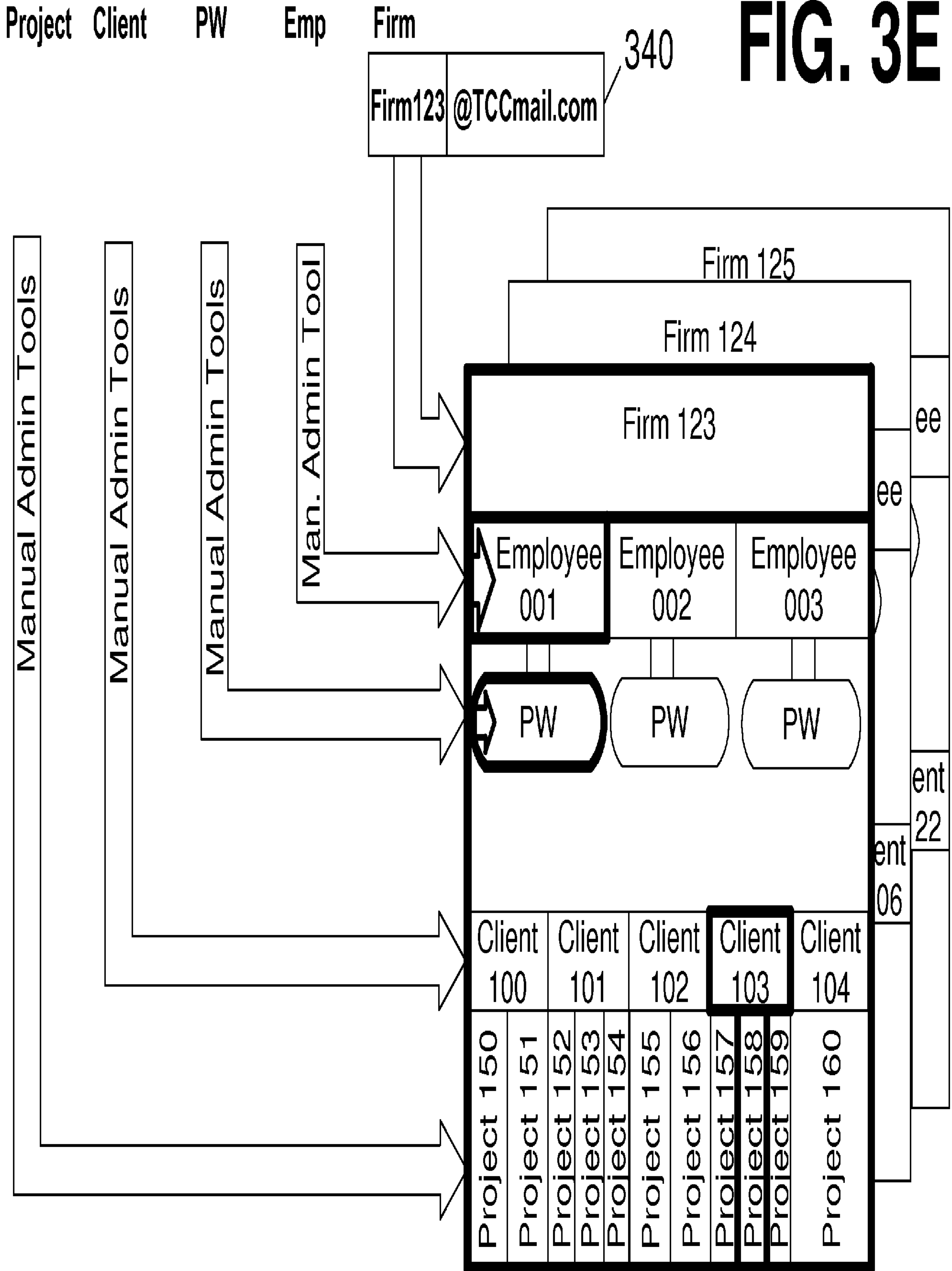


FIG. 4

27
↓

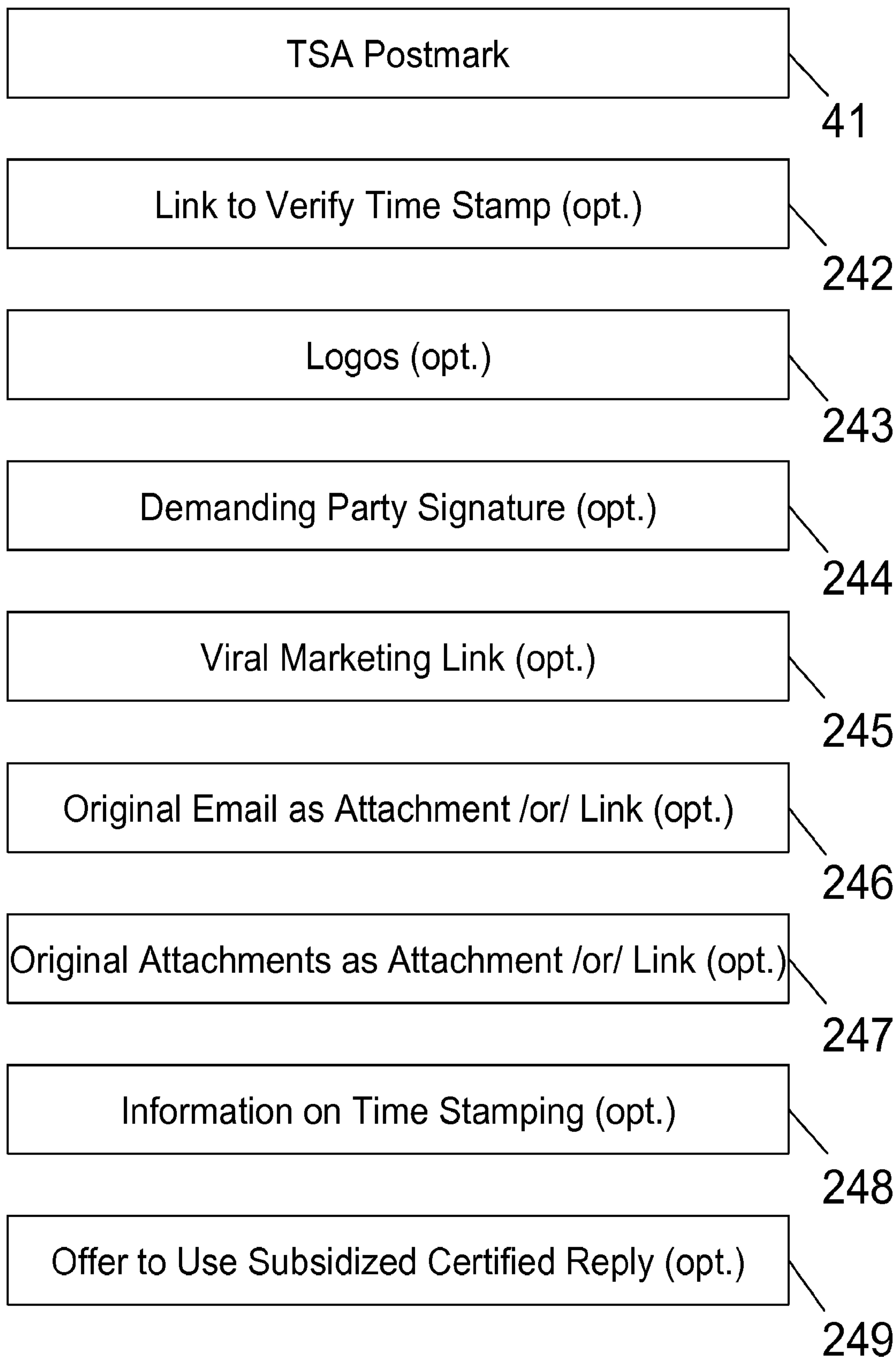


FIG. 5

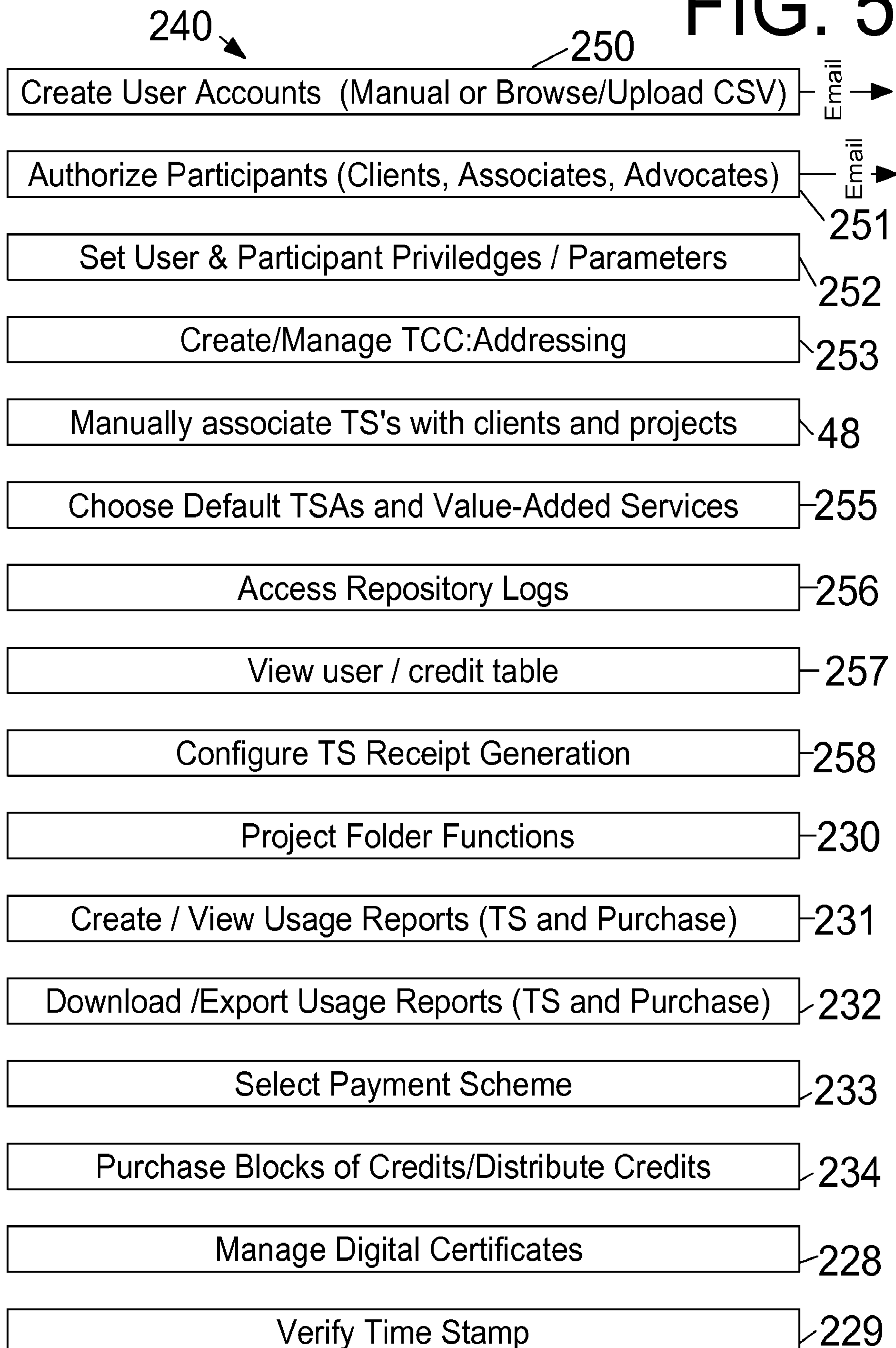
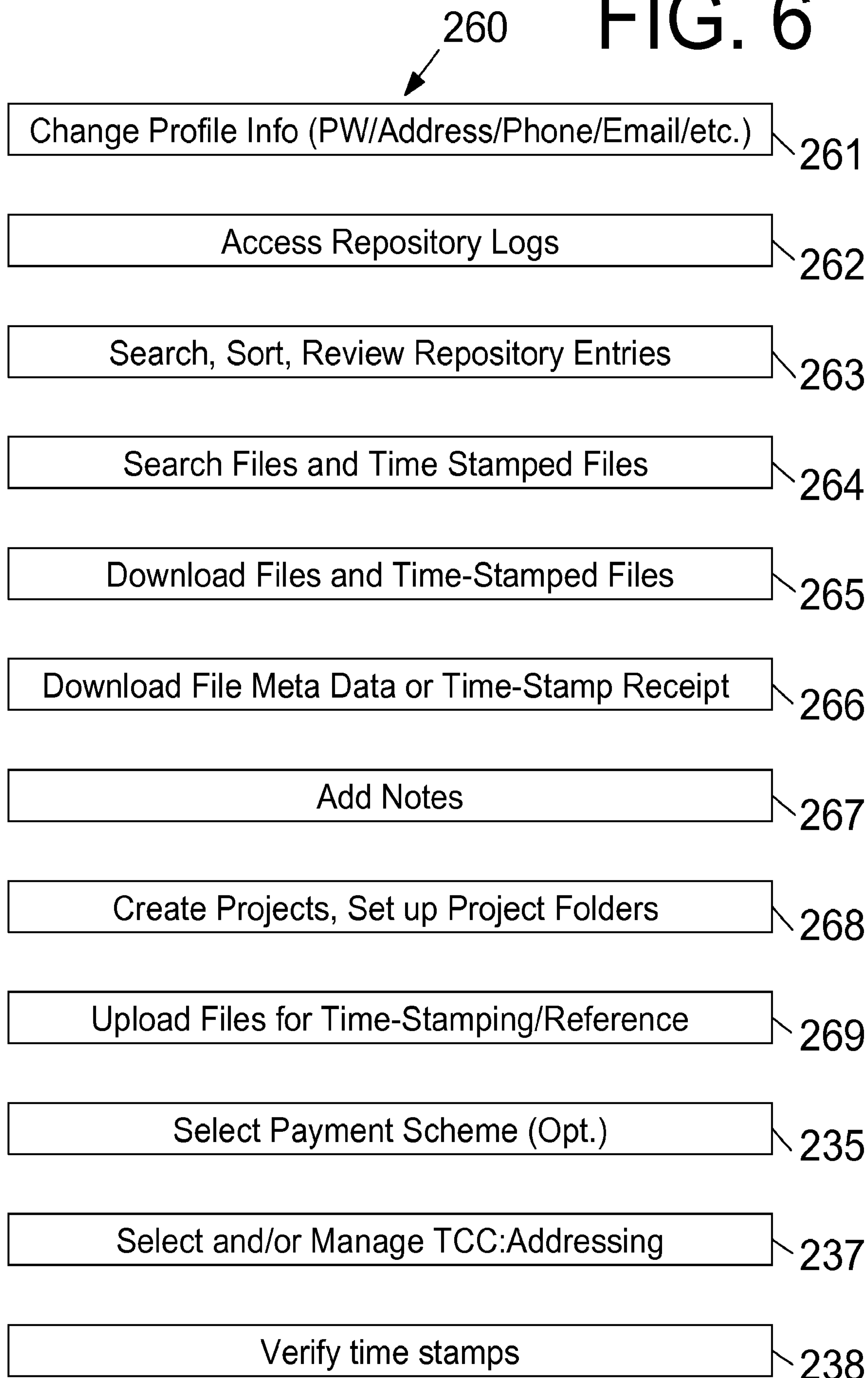


FIG. 6

270

FIG. 7

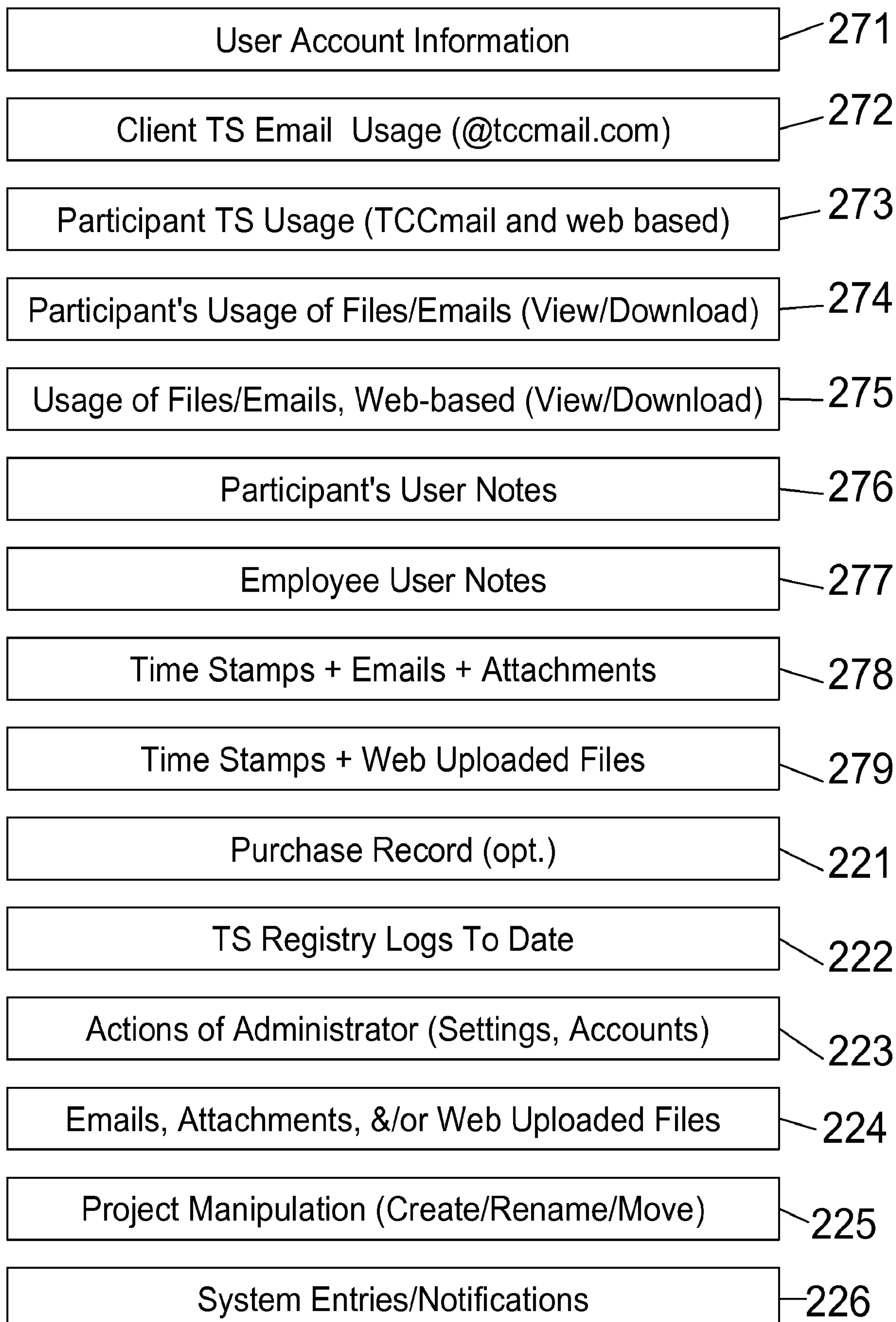


FIG. 8

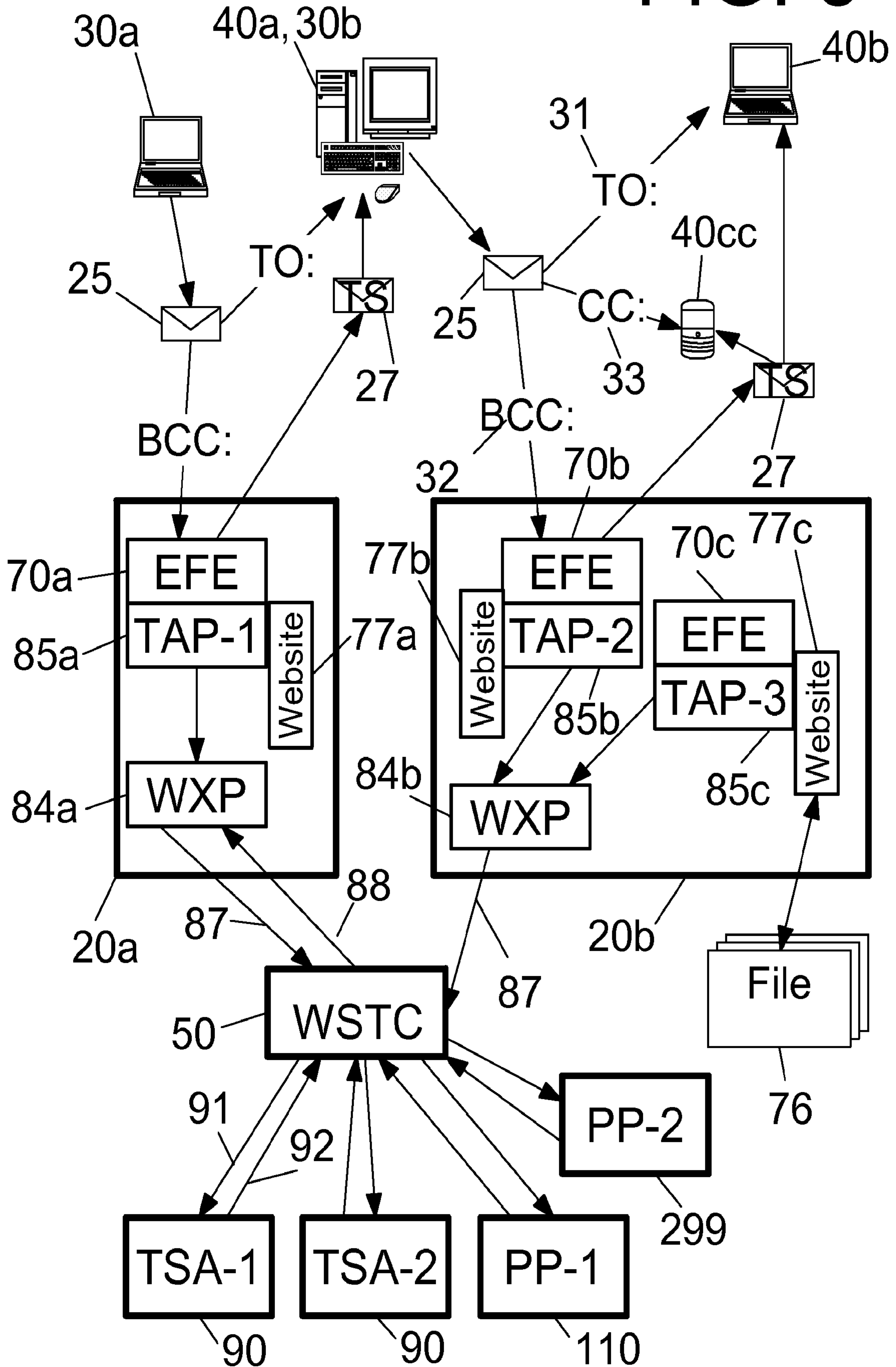


FIG. 9

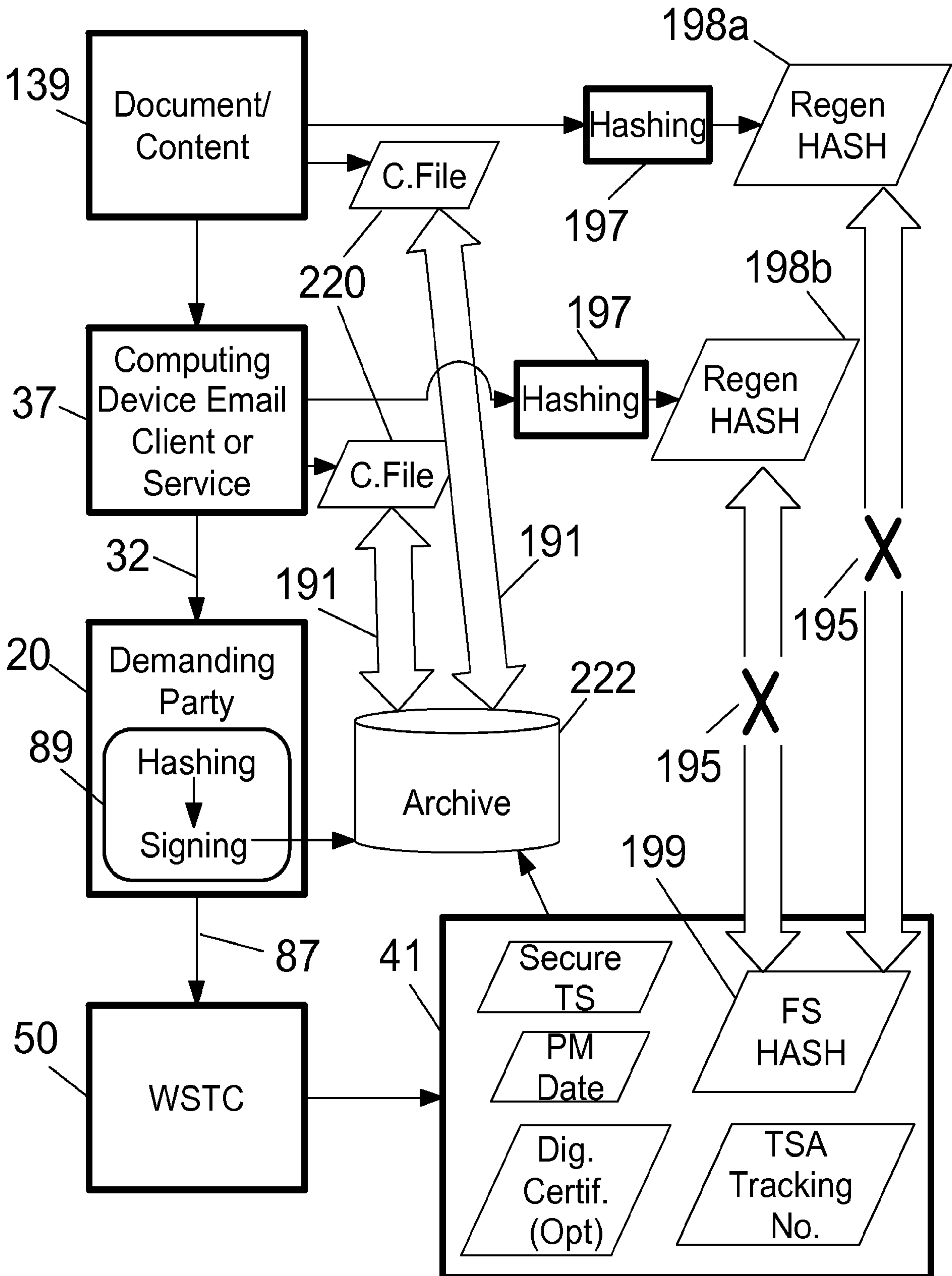


FIG. 10

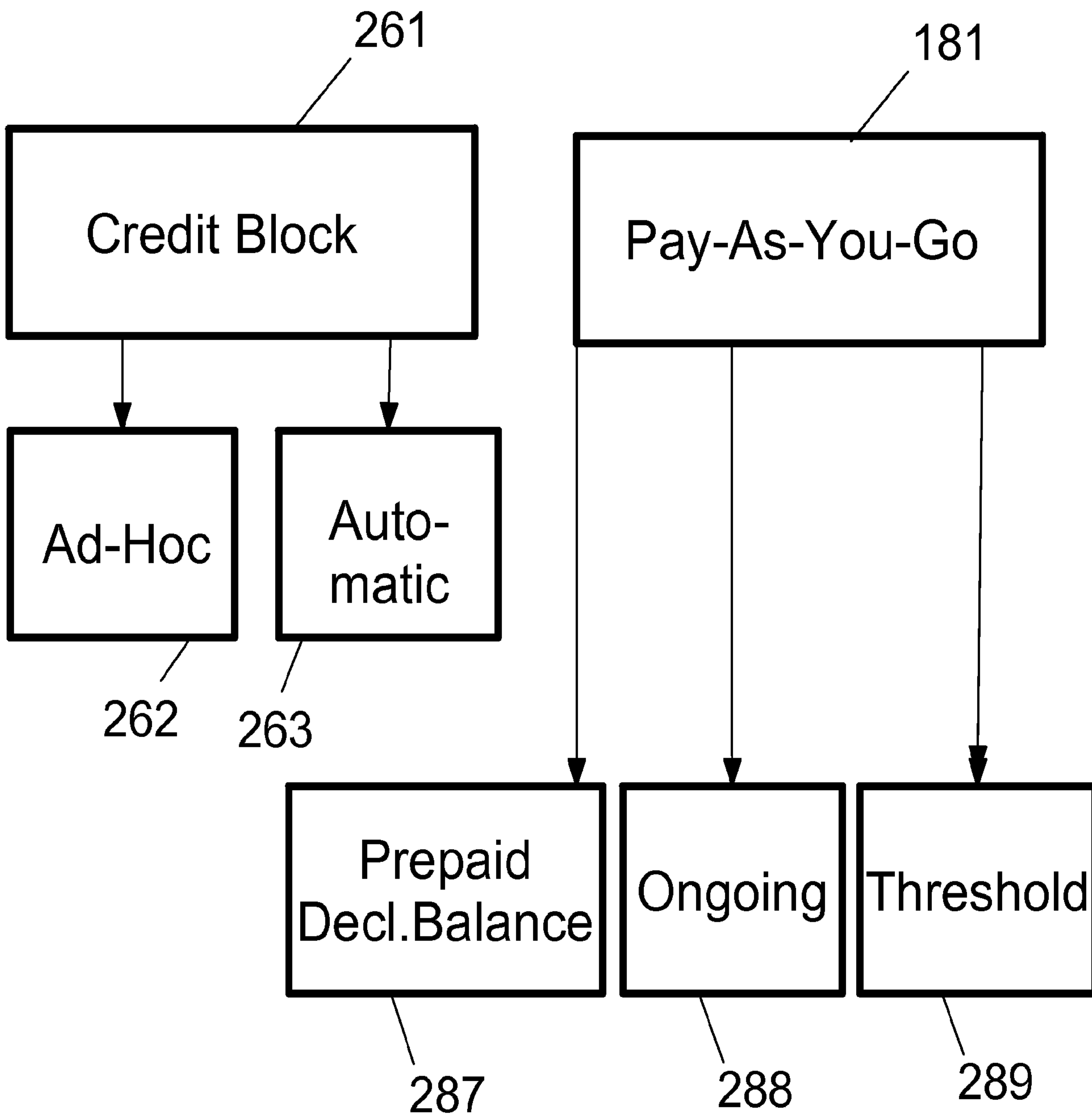


FIG. 11

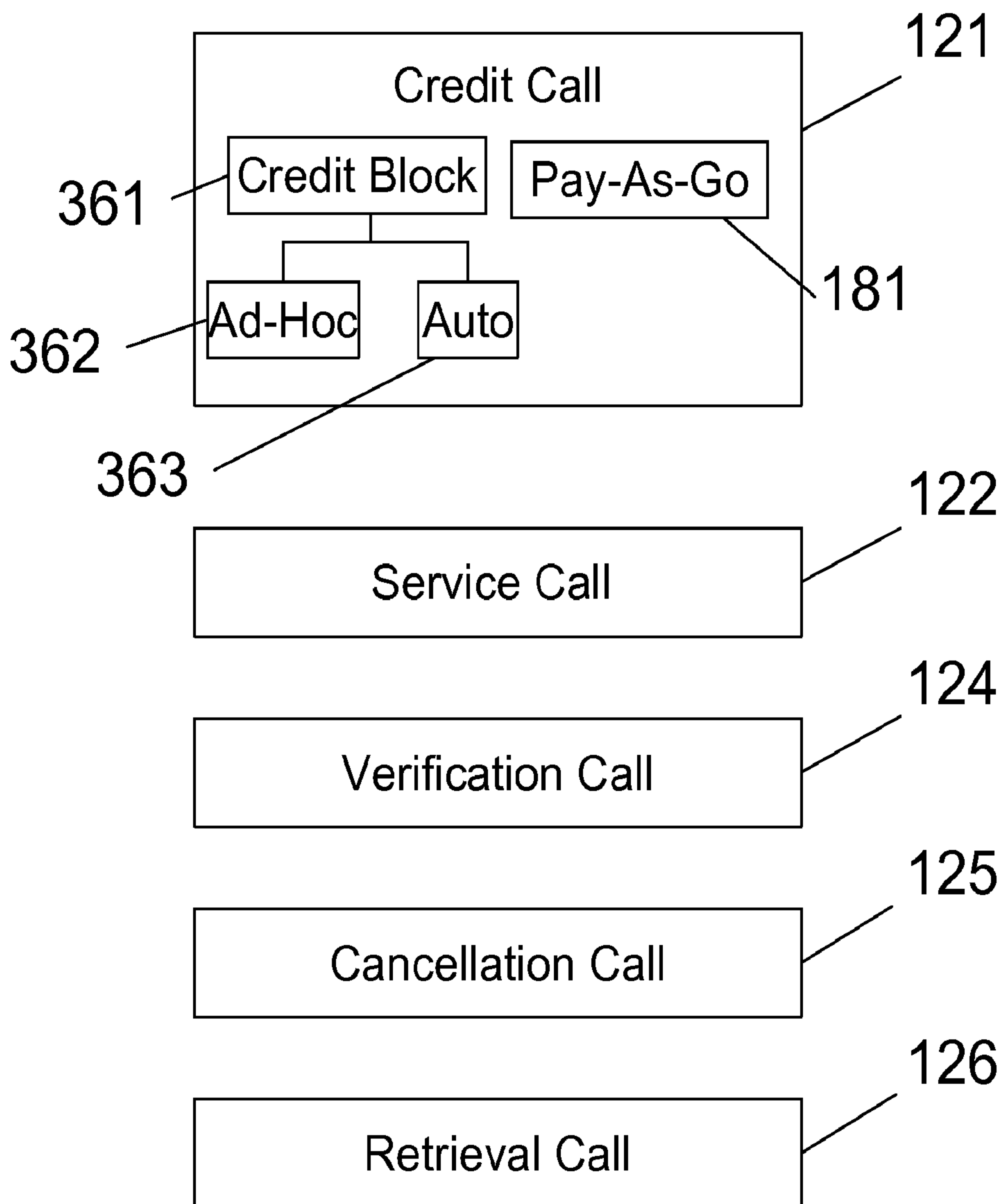


FIG. 12

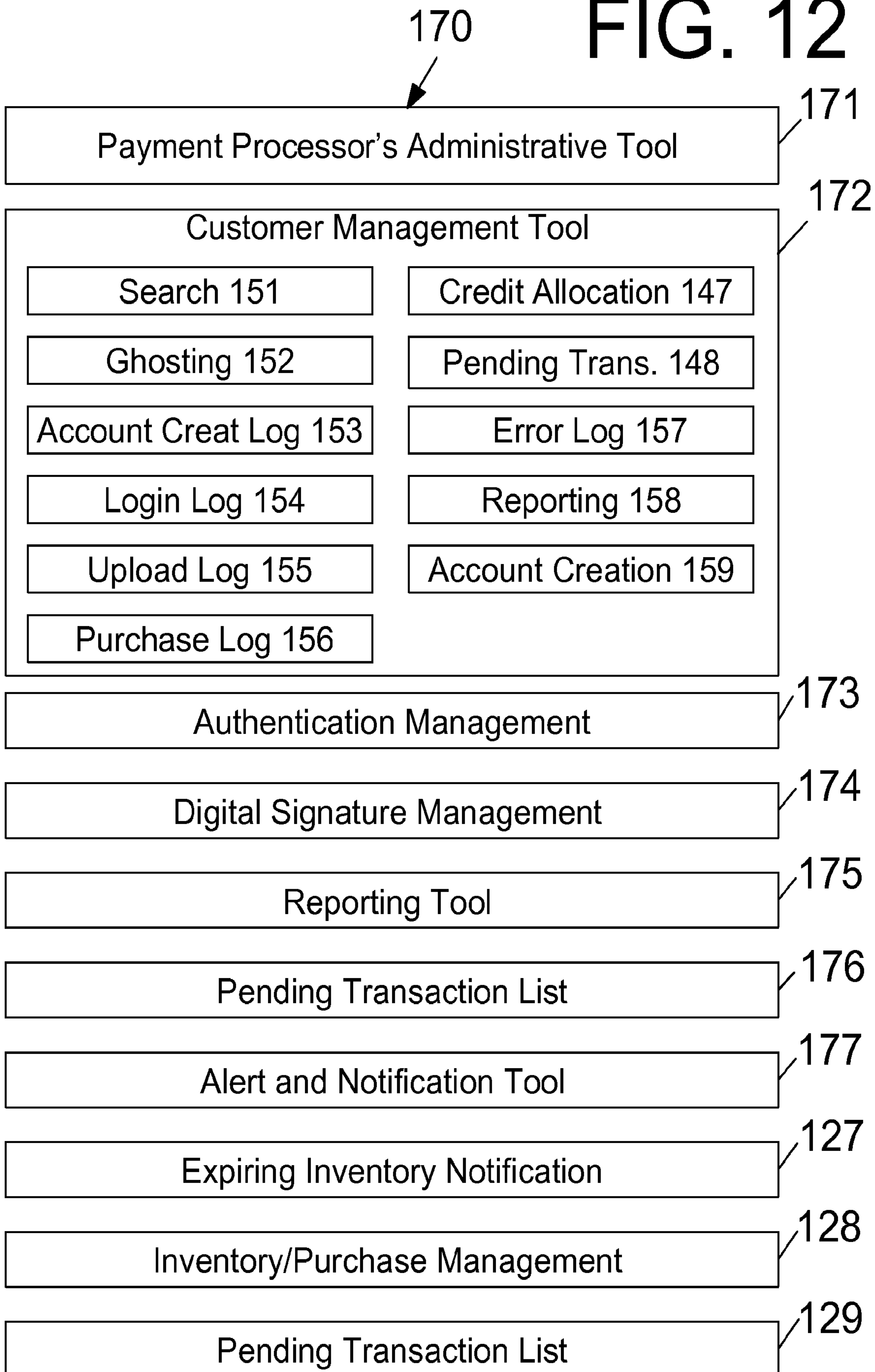


FIG. 13

