



US00D910073S

(12) **United States Design Patent**
Lim

(10) **Patent No.:** **US D910,073 S**

(45) **Date of Patent:** **** Feb. 9, 2021**

- (54) **DISPLAY PANEL WITH COMPUTER ICON**
- (71) Applicant: **Osstemimplant Co., Ltd.**, Seoul (KR)
- (72) Inventor: **Oh Ju Lim**, Gyeonggi-do (KR)
- (73) Assignee: **Osstemimplant Co., Ltd.**, Seoul (KR)
- (**) Term: **15 Years**
- (21) Appl. No.: **29/670,150**
- (22) Filed: **Nov. 14, 2018**
- (30) **Foreign Application Priority Data**

D740,316	S	*	10/2015	Kim	D14/489
D740,317	S	*	10/2015	Seo	D14/489
D750,116	S	*	2/2016	Kim	D14/486
D767,630	S	*	9/2016	Yuk	D14/492
D775,200	S	*	12/2016	Maitlen	D14/489
D779,554	S	*	2/2017	Kim	D14/491
D800,165	S	*	10/2017	Hinze	D14/492
D800,166	S	*	10/2017	Hinze	D14/492
D800,167	S	*	10/2017	Hinze	D14/492
D800,168	S	*	10/2017	Hinze	D14/492
D836,672	S	*	12/2018	Gehiere	D14/491
D845,993	S	*	4/2019	Taylor	D14/489
D861,033	S	*	9/2019	Lyons	D14/489
D863,348	S	*	10/2019	Kang	D14/489
D868,835	S	*	12/2019	Pudipeddi	D14/492
D879,142	S	*	3/2020	Voiles	D14/489

(Continued)

May 16, 2018 (KR) 30 2018 0022691

(51) **LOC (13) Cl.** **14-04**

(52) **U.S. Cl.**

USPC **D14/491**

(58) **Field of Classification Search**

USPC D14/485-495

CPC G06F 3/048; G06F 3/0481; G06F 3/04817;

G06F 3/0482; G06F 3/0483; G06F

3/04842; G06F 3/0485; G06F 3/04855;

G06F 3/0486; G06F 3/0488; G06F

3/04886; G06F 9/4443; G06F 17/211;

G06F 17/212

See application file for complete search history.

(56) **References Cited**

U.S. PATENT DOCUMENTS

D393,840 S * 4/1998 Sakazume D14/489

D488,482 S * 4/2004 Bungert D14/489

D575,797 S * 8/2008 Nathan D14/489

D602,027 S * 10/2009 Queric D14/485

D623,657 S * 9/2010 Fitzmaurice D14/488

D628,586 S * 12/2010 Umezawa D14/492

D684,187 S * 6/2013 Ridl D14/491

D709,097 S * 7/2014 Bang D14/492

OTHER PUBLICATIONS

“Two designs of wooden boxes illustration” May 8, 2017, alamy, site visited Sep. 10, 2020: <https://www.alamy.com/two-designs-of-wooden-boxes-illustration-image223484340.html> (Year: 2017).*

(Continued)

Primary Examiner — Jack Reickel

(74) *Attorney, Agent, or Firm* — Christensen, Fonder, Dardi & Herbert, PLLC; Douglas J. Christensen

(57) **CLAIM**

The ornamental design for a display panel with computer icon, as shown and described.

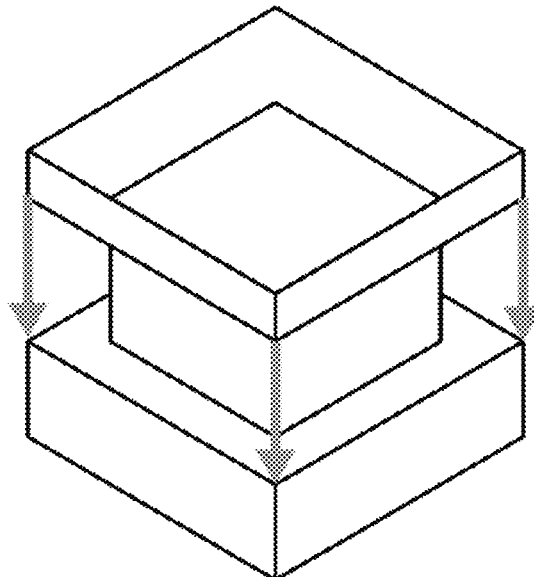
DESCRIPTION

FIG. 1 is a front view of a display panel with computer icon according to the claimed design; and,

FIG. 2 is an enlarged front view thereof.

The broken line showing of a display panel in FIG. 1 is included for the purpose of illustrating portions of the article and form no part of the claimed design.

1 Claim, 1 Drawing Sheet



(56)

References Cited

U.S. PATENT DOCUMENTS

D884,735 S * 5/2020 de Regt D14/489
 2016/0231883 A1 * 8/2016 Zambetti G06F 3/0362

OTHER PUBLICATIONS

Hudson, Micah, “M7—12.4—2D Slices of Right Rectangular Prisms” Feb. 29, 2016, YouTube, site visited Sep. 10, 2020: https://www.youtube.com/watch?v=S5_M7vVu7g&feature=emb_logo (Year: 2016).*

“Set of symbol and shapes. Trendy icons and logotypes. Business signs symbols, labels, badges, frames and borders” Apr. 6, 2017, alamy, site visited Sep. 10, 2020: <https://www.alamy.com/stock-photo-set-of-symbol-and-shapes-trendy-icons-and-logotypes-business-signs-145797850.html> (Year: 2017).*

“Trendy illustration backgrounds, seamless pattern with abstract shapes, 80s memphis geometric style . . .” Dec. 12, 2017, alamy, site visited Sep. 10, 2020: <https://www.alamy.com/stock-image-tendy-illustration-backgrounds-seamless-pattern-with-abstract-shapes-169752740.html> (Year: 2017).*

“Set of symbol and shapes. Trendy icons and logotypes. Business signs symbols, labels, badges, frames and borders” Apr. 6, 2017, alamy, site visited Sep. 10, 2020: <https://www.alamy.com/stock-photo-set-of-symbol-and-shapes-trendy-icons-and-logotypes-business-signs-145797377.html> (Year: 2017).*

“Set of symbol and shapes. Trendy icons and logotypes. Business signs symbols, labels, badges, frames and borders” Apr. 6, 2017, alamy, site visited Sep. 10, 2020: <https://www.alamy.com/stock-photo-set-of-symbol-and-shapes-trendy-icons-and-logotypes-business-signs-169750896.html> (Year: 2017).*

“Set of symbol and shapes. Trendy icons and logotypes. Business signs symbols, labels, badges, frames and borders” Apr. 6, 2017, alamy, site visited Sep. 10, 2020: <https://www.alamy.com/stock-photo-set-of-symbol-and-shapes-trendy-icons-and-logotypes-business-signs-145797415.html> (Year: 2017).*

“Set of minimal geometric multicolor shapes. Trendy hipster icons and logotypes . . .” Jun. 27, 2017, alamy, site visited Sep. 10, 2020: <https://www.alamy.com/stock-photo-set-of-minimal-geometric-multicolor-shapes-trendy-hipster-icons-and-146884421.html> (Year: 2017).*

* cited by examiner

FIG. 1

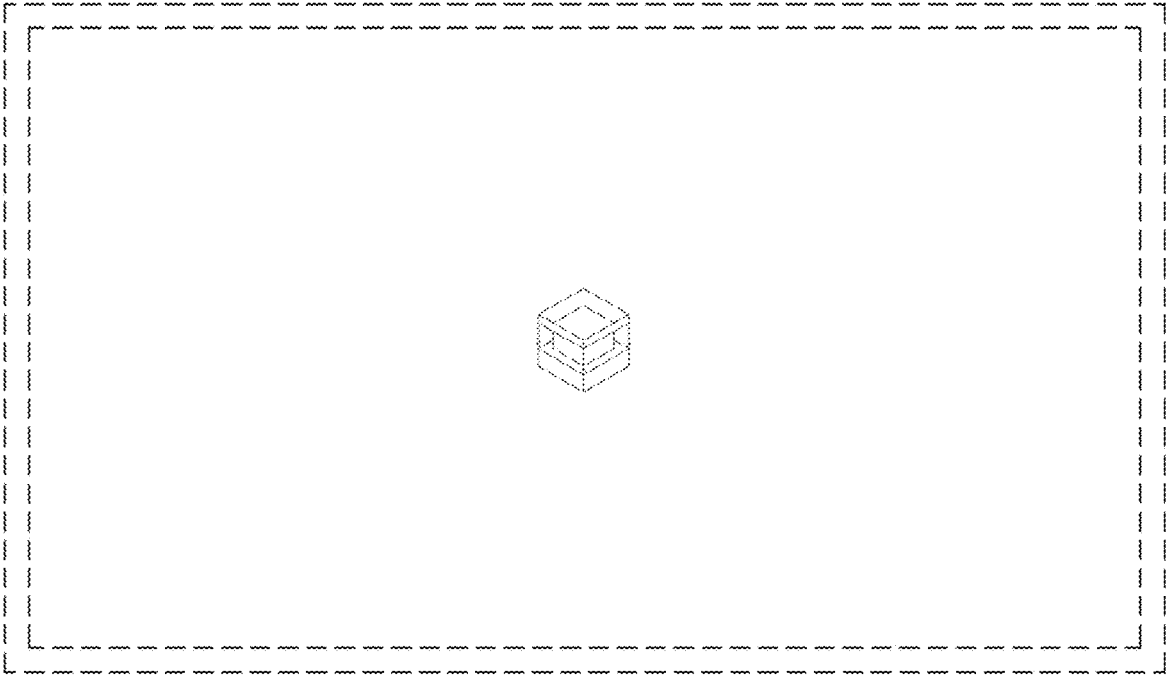


FIG. 2

