



US00D755747S

(12) **United States Design Patent**
Park et al.

(10) **Patent No.:** **US D755,747 S**

(45) **Date of Patent:** **** May 10, 2016**

(54) **TV RECEIVER**

(71) Applicant: **LG Electronics Inc.**, Seoul (KR)

(72) Inventors: **Sunha Park**, Seoul (KR); **Byungmu Huh**, Seoul (KR); **Sangik Lee**, Seoul (KR)

(73) Assignee: **LG Electronics Inc.**, Seoul (KR)

(**) Term: **14 Years**

(21) Appl. No.: **29/516,964**

(22) Filed: **Feb. 9, 2015**

(30) **Foreign Application Priority Data**

Aug. 18, 2014 (KR) 30-2014-0040009

(51) **LOC (10) Cl.** **14-03**

(52) **U.S. Cl.**
USPC **D14/126**

(58) **Field of Classification Search**

USPC D14/125-134, 239, 371, 136, 374-377, D14/440, 450, 448, 336, 342, 159; 312/7.2; 348/836, 838, 180, 184, 325, 739; 248/917-924, 465; 345/104, 133, 156, 345/168, 87, 173; D21/329, 515, 577, 622, D21/333, 433, 448, 452, 450, 331, 505; D10/15, 26; 446/484, 175, 356; D6/477, 479, 300; D20/10, 19, 39
CPC ... G06F 1/1601; G06F 1/1643; H05K 5/0004; H05K 5/0017; H05K 5/02; H05K 5/0217; H04N 13/0459

See application file for complete search history.

(56) **References Cited**

U.S. PATENT DOCUMENTS

D427,169	S	*	6/2000	Saeki	D14/126
D528,517	S	*	9/2006	Izumi	D14/126
D528,518	S	*	9/2006	Kim	D14/126
D540,281	S	*	4/2007	Kita	D14/126
D643,002	S	*	8/2011	Choi	D14/126
D655,683	S	*	3/2012	Katsunuma	D14/126
D717,753	S	*	11/2014	Totsuka	D14/126
D719,119	S	*	12/2014	Park	D14/126
D722,300	S	*	2/2015	Won	D14/126
D728,499	S	*	5/2015	Park	D14/126
D733,081	S	*	6/2015	Won	D14/126
D738,337	S	*	9/2015	Kang	D14/126

* cited by examiner

Primary Examiner — Raphael Barkai

(74) *Attorney, Agent, or Firm* — Morgan, Lewis & Bockius LLP

(57) **CLAIM**

The ornamental design for a TV receiver, as shown and described.

DESCRIPTION

FIG. 1 is a front, right side, perspective view of a TV receiver showing our new design;
FIG. 2 is a front view thereof;
FIG. 3 is a rear view thereof;
FIG. 4 is a left side view thereof;
FIG. 5 is a right side view thereof;
FIG. 6 is a top view thereof; and,
FIG. 7 is a bottom view thereof.
The broken lines indicate unclaimed portion of the article that form no part of the claimed design.

1 Claim, 6 Drawing Sheets

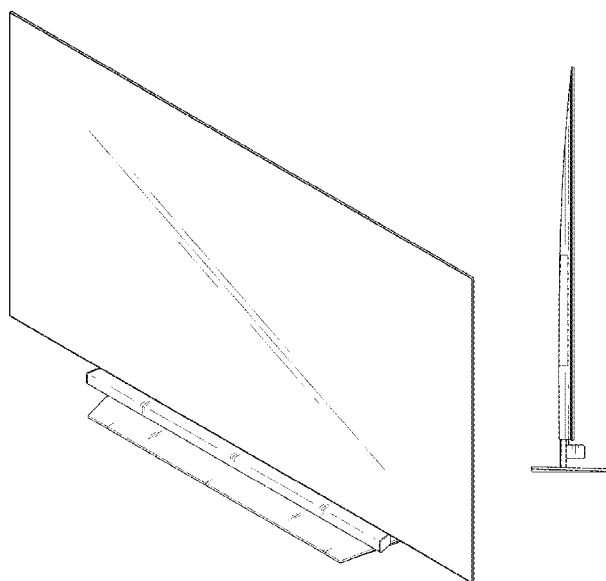


FIG. 1

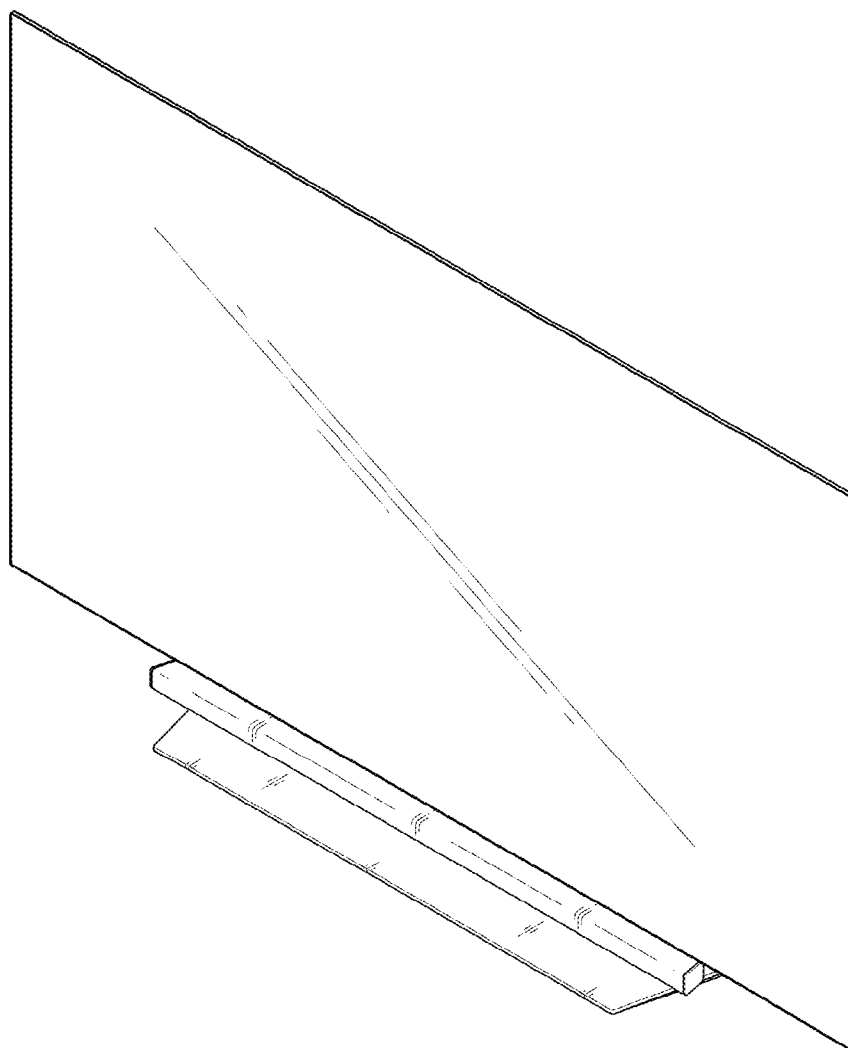


FIG. 2

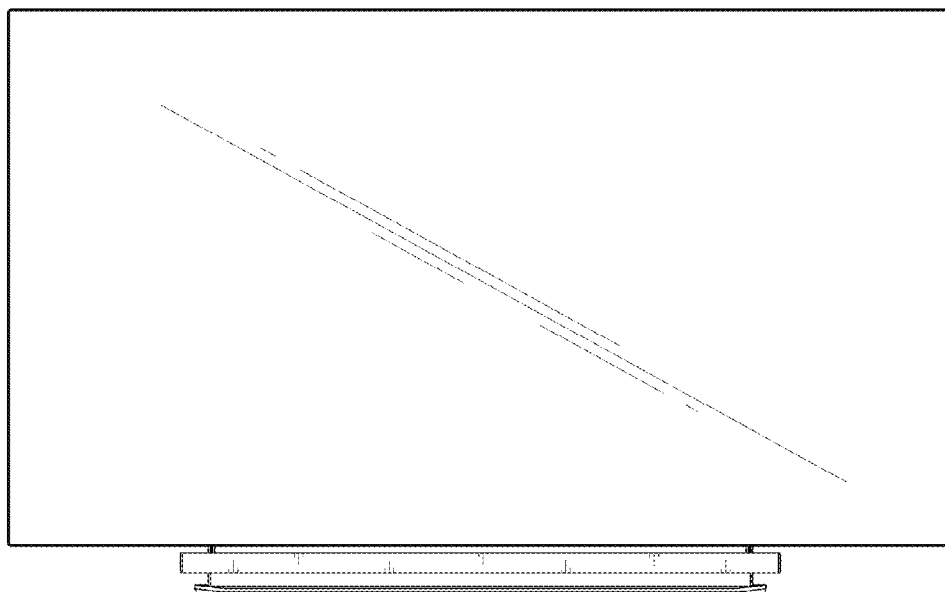


FIG. 3

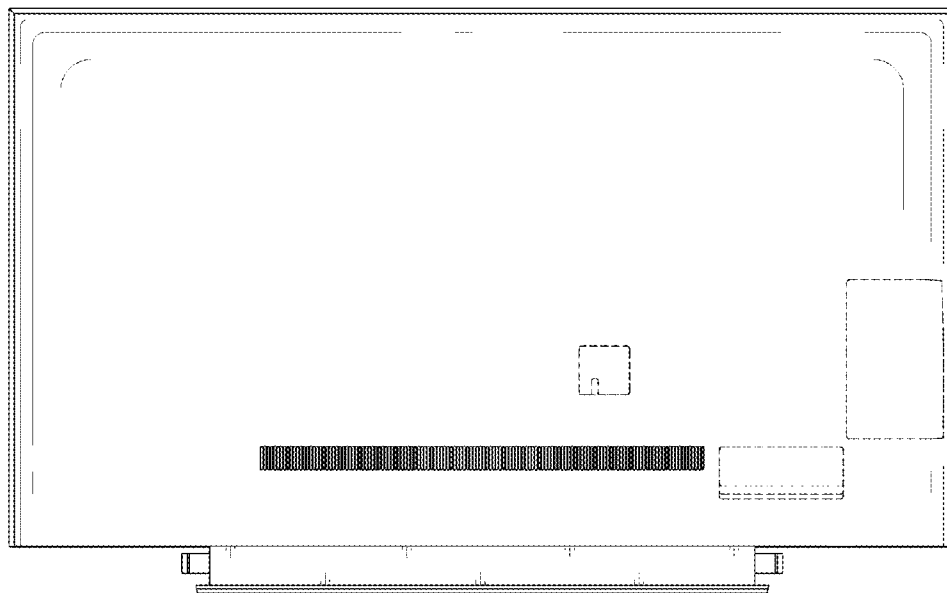


FIG. 4

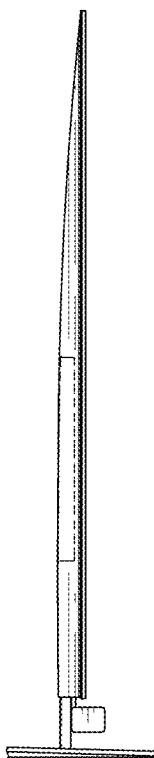


FIG. 5

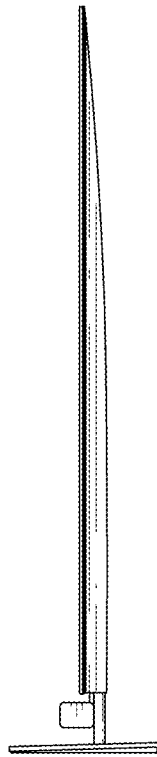


FIG. 6

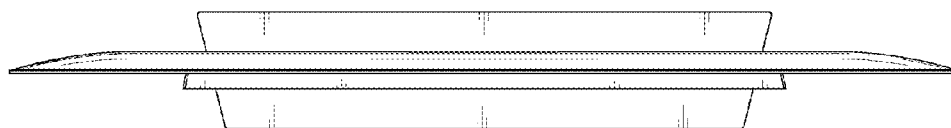


FIG. 7

