



US00D833117S

(12) **United States Design Patent**  
**Harden**

(10) **Patent No.:** **US D833,117 S**

(45) **Date of Patent:** **\*\* Nov. 13, 2018**

- (54) **CONCEALED-CARRY POCKET**
- (71) Applicant: **Nancy Harden**, Benton, KY (US)
- (72) Inventor: **Nancy Harden**, Benton, KY (US)
- (\*\*) Term: **15 Years**
- (21) Appl. No.: **29/599,717**
- (22) Filed: **Apr. 6, 2017**
- (51) **LOC (11) Cl.** ..... **02-02**
- (52) **U.S. Cl.**  
USPC ..... **D2/857**
- (58) **Field of Classification Search**  
USPC ..... D2/742, 853, 857, 999; D3/226, 228,  
D3/230, 303, 327, 328  
CPC .... F41C 33/00; F41C 33/048; F41C 33/0209;  
F41C 33/02; F41C 33/0236; F41C  
33/0272; Y10S 224/911; A45F 5/00;  
A45F 2200/0591; A41D 13/0012; A41D  
27/20; A41D 27/205  
See application file for complete search history.

4,346,827 A	8/1982	Bianchi	
4,741,465 A *	5/1988	Johnson	..... F41C 33/0209 224/230
4,966,320 A *	10/1990	DeSantis	..... A45C 1/04 224/192
D333,570 S *	3/1993	Murray	..... D3/226
D343,944 S *	2/1994	Krugler	..... D2/857
5,832,536 A	11/1998	Kramer	
D408,136 S *	4/1999	Pesce, Jr.	..... D3/228
5,909,834 A *	6/1999	Parrott, III	..... F41C 33/0209 224/245

(Continued)

*Primary Examiner* — Kevin K Rudzinski  
*Assistant Examiner* — Paul D Bohannon  
 (74) *Attorney, Agent, or Firm* — Robert J. Yarbrough;  
 Lipton, Weinberger & Husick

(57) **CLAIM**

The ornamental design for a concealed-carry pocket, as shown and described.

**DESCRIPTION**

FIG. 1 is a front elevation view of the concealed-carry pocket of the invention installed on the inside of a garment, such as a vest, with one side of the garment open.

FIG. 2 is a back elevation view of the concealed-carry pocket viewed through the front of the vest with the vest closed and with a firearm in the concealed-carry pocket.

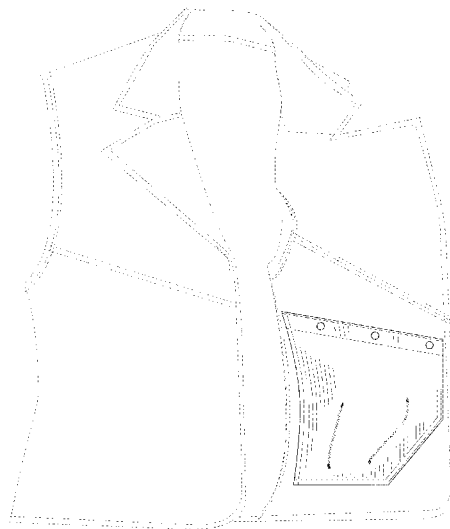
FIG. 3 is an enlarged front elevation view of the concealed-carry pocket as the pocket appears when viewed from the inside of the vest; and,

FIG. 4 is an enlarged back elevation view of the concealed-carry pocket as the pocket would appear from the outside of the garment with the front panel of the vest removed.

The broken lines shown in the drawings illustrate environmental structure and form no part of the claimed design.

**1 Claim, 4 Drawing Sheets**

- (56) **References Cited**  
U.S. PATENT DOCUMENTS
- 309,292 A \* 12/1884 Browne ..... F41C 33/0209  
224/230
- 1,120,190 A \* 12/1914 Gaskill ..... F41C 33/0209  
224/230
- 1,191,339 A \* 7/1916 Noye ..... F41C 33/0209  
224/230
- 1,886,718 A \* 11/1932 Noel ..... A45F 5/022  
2/250
- 2,810,132 A \* 10/1957 Nicholson ..... A41D 13/0012  
2/247
- 3,707,250 A \* 12/1972 Esposito ..... F41C 33/0227  
224/243
- 4,022,361 A \* 5/1977 Devlin ..... A45F 5/021  
224/192
- 4,262,832 A 4/1981 Perkins



(56)

**References Cited**

## U.S. PATENT DOCUMENTS

6,131,198 A \* 10/2000 Westrick ..... F41C 33/0209  
2/102  
D489,164 S \* 5/2004 Isom ..... D2/857  
7,743,430 B2 6/2010 Jennings  
D620,705 S \* 8/2010 Beard ..... D3/222  
D639,027 S \* 6/2011 Seguin ..... D2/857  
8,484,765 B2 \* 7/2013 French ..... A41D 27/20  
2/250  
D713,644 S \* 9/2014 Johnson ..... D3/303  
9,009,870 B1 4/2015 Connick  
D742,624 S \* 11/2015 Meyers ..... D2/857  
9,297,611 B1 3/2016 Roccisano  
D761,553 S \* 7/2016 Scott ..... D3/222  
2007/0250980 A1 11/2007 Pellerin  
2010/0050312 A1 \* 3/2010 French ..... A41D 27/20  
2/69  
2013/0015225 A1 \* 1/2013 Hogue ..... F41C 33/0218  
224/587  
2014/0021235 A1 1/2014 Hunter  
2015/0061914 A1 \* 3/2015 Falken ..... H01Q 17/005  
342/1  
2015/0362285 A1 \* 12/2015 Gazso ..... A45C 1/02  
150/102  
2016/0007665 A1 \* 1/2016 Austin ..... A41D 27/20  
2/247  
2016/0061564 A1 \* 3/2016 Gordon ..... F41C 33/041  
224/587  
2016/0244209 A1 \* 8/2016 Hain ..... A45C 7/0045  
2016/0254083 A1 \* 9/2016 Bennett ..... F41C 33/0209  
335/285

\* cited by examiner

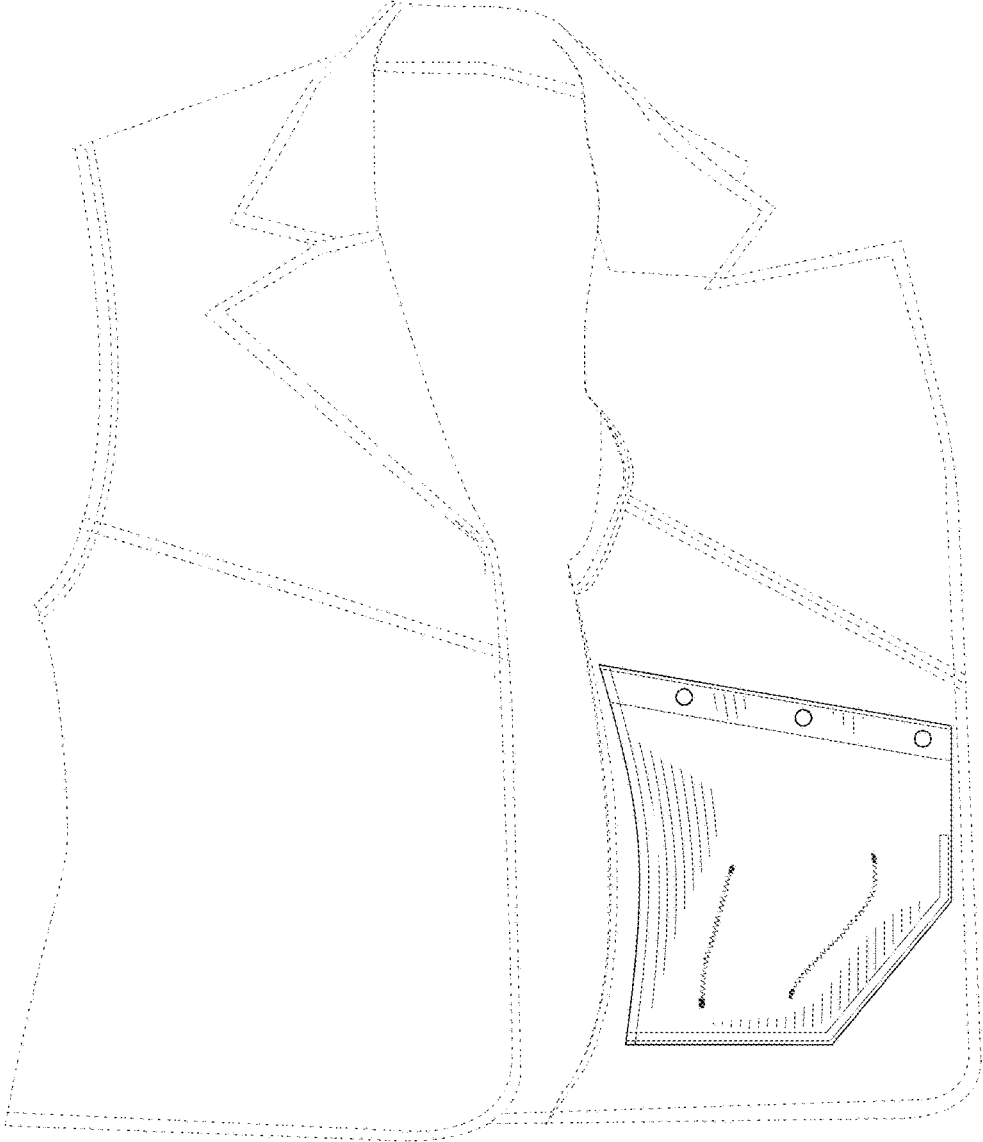


Fig. 1



Fig. 2

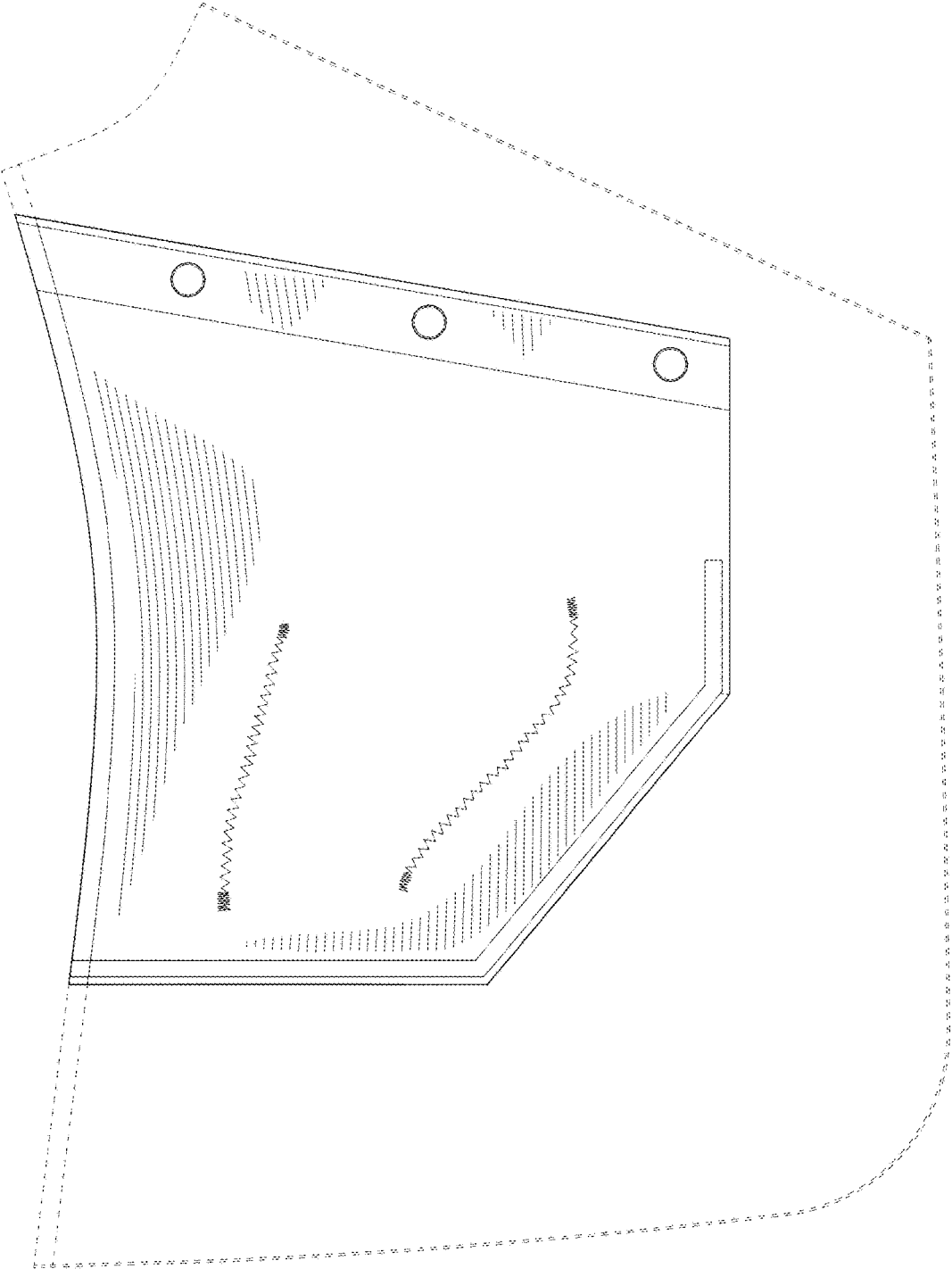


Fig. 3

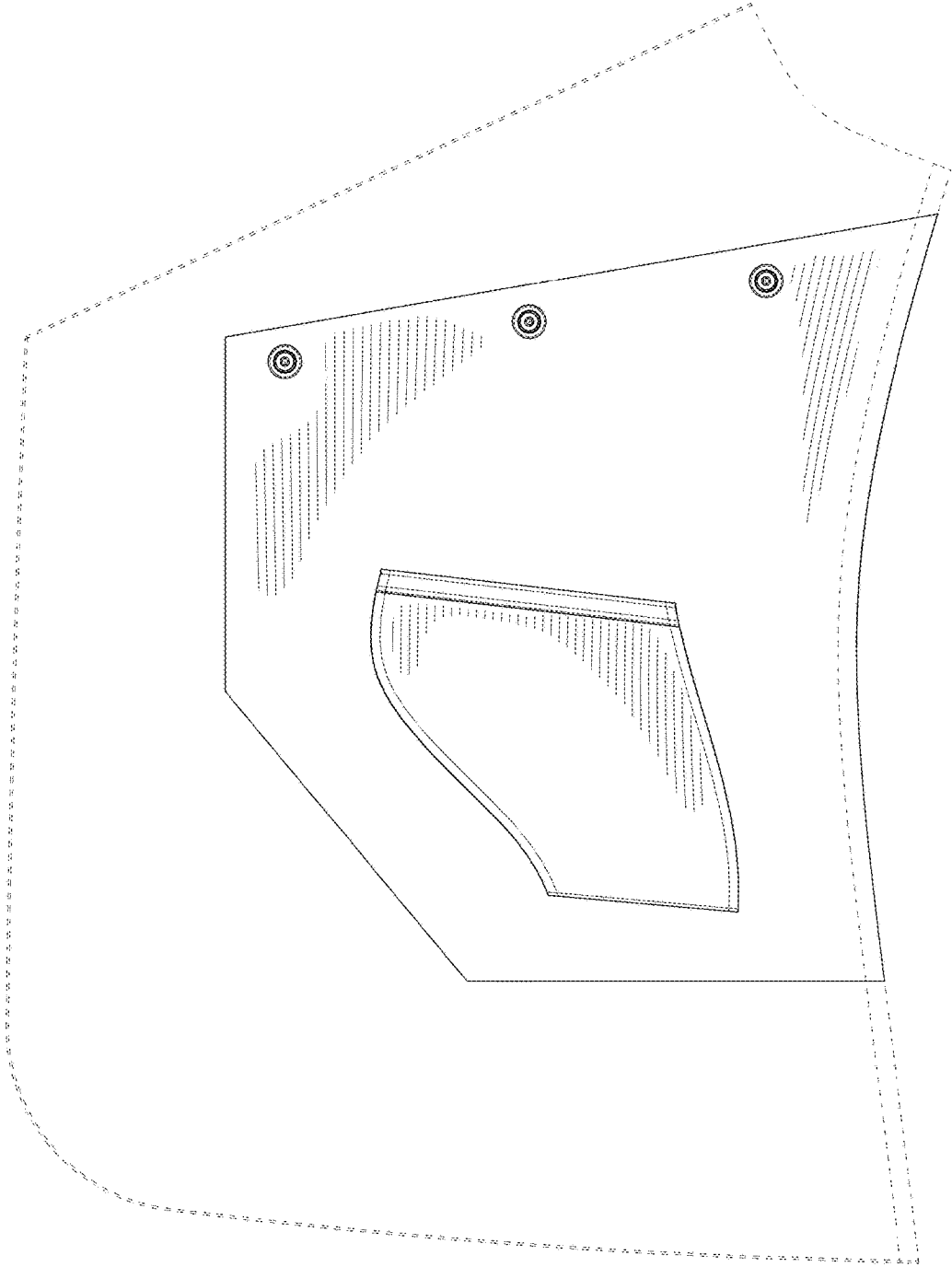


Fig. 4