



(12) **United States Design Patent**
Yao

(10) **Patent No.:** **US D1,047,575 S**
(45) **Date of Patent:** **** Oct. 22, 2024**

- (54) **BOTTLE LID**
- (71) Applicant: **Everich And Tomic Housewares Co., Ltd, ZheJiang (CN)**
- (72) Inventor: **Huajun Yao, Hangzhou (CN)**
- (**) Term: **15 Years**
- (21) Appl. No.: **29/848,319**
- (22) Filed: **Aug. 1, 2022**
- (30) **Foreign Application Priority Data**

Feb. 11, 2022 (CN) 202230069262.9

- (51) **LOC (14) Cl.** **07-02**
- (52) **U.S. Cl.**
USPC **D7/392**
- (58) **Field of Classification Search**
USPC D7/300.1, 608, 509, 511, 510, 523, 591,
D7/597, 598, 543, 396.1, 396.2, 300, 605,
D7/387, 392.1
CPC .. A47G 19/22; A47G 19/228; A47G 19/2216;
A47G 19/2222; A47G 19/2205; A47G
19/2266; A47G 19/2272; A47G 23/0241;
A45F 3/16; A45F 3/18; A47J 31/4407;
A47J 43/02; A47J 43/27; A47J 36/14;
B65D 41/02; B65D 41/04; B65D 41/06;
B65D 41/26; B65D 41/056; B65D
41/0414; B65D 43/00; B65D 43/02;
B65D 51/18; B65D 23/102; B65D 1/06
See application file for complete search history.

- (56) **References Cited**
U.S. PATENT DOCUMENTS

1,457,614 A * 6/1923 Brown A47J 36/14
222/541.2
D79,915 S * 11/1929 Davis D7/608

D915,820 S * 4/2021 Ni D7/392.1
D927,263 S * 8/2021 Zhang D7/511
D977,309 S * 2/2023 Sorio D7/511
2003/0209547 A1 * 11/2003 Lin A47G 19/2272
220/255
2010/0237078 A1 * 9/2010 Lentz A47G 19/2288
220/378
2014/0124505 A1 * 5/2014 Trudeau A47G 19/2272
220/202
2017/0081092 A1 * 3/2017 Gregory B65D 47/249
2019/0021529 A1 * 1/2019 Schucker A47G 19/2227
2021/0204664 A1 * 7/2021 Fromme A45F 3/18
2021/0261305 A1 * 8/2021 Ni B65D 43/0229
2021/0354889 A1 * 11/2021 Wong A47G 19/2272
2022/0306354 A1 * 9/2022 Hayashi B65D 47/142
2024/0000218 A1 * 1/2024 Abbate A45F 3/18
2024/0085234 A1 * 3/2024 Abbate A45F 3/16

* cited by examiner

Primary Examiner — Andrew Kerr
Assistant Examiner — Courtney J Clark-Rasheed

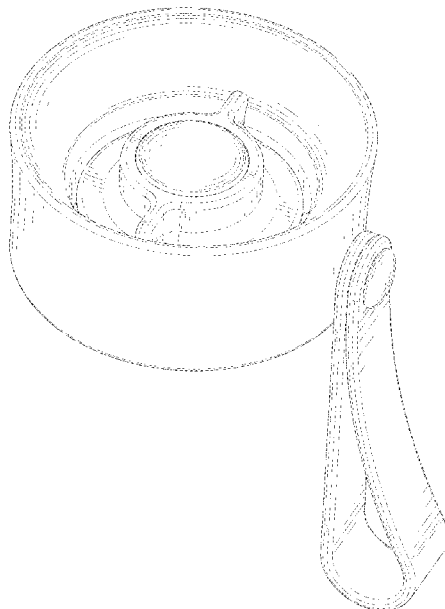
(57) **CLAIM**

The ornamental design for a bottle lid, as shown and described.

DESCRIPTION

FIG. 1 is a front and top perspective view of a bottle lid, showing my new design;
FIG. 2 is a rear and bottom perspective view thereof;
FIG. 3 is a front elevation view thereof;
FIG. 4 is a rear elevation view thereof;
FIG. 5 is a left side elevation view thereof;
FIG. 6 is a right side elevation view thereof;
FIG. 7 is a top plan view thereof; and,
FIG. 8 is a bottom plan view thereof.
The broken lines in the figures illustrate portions of the bottle lid that form no part of the claimed design.

1 Claim, 8 Drawing Sheets



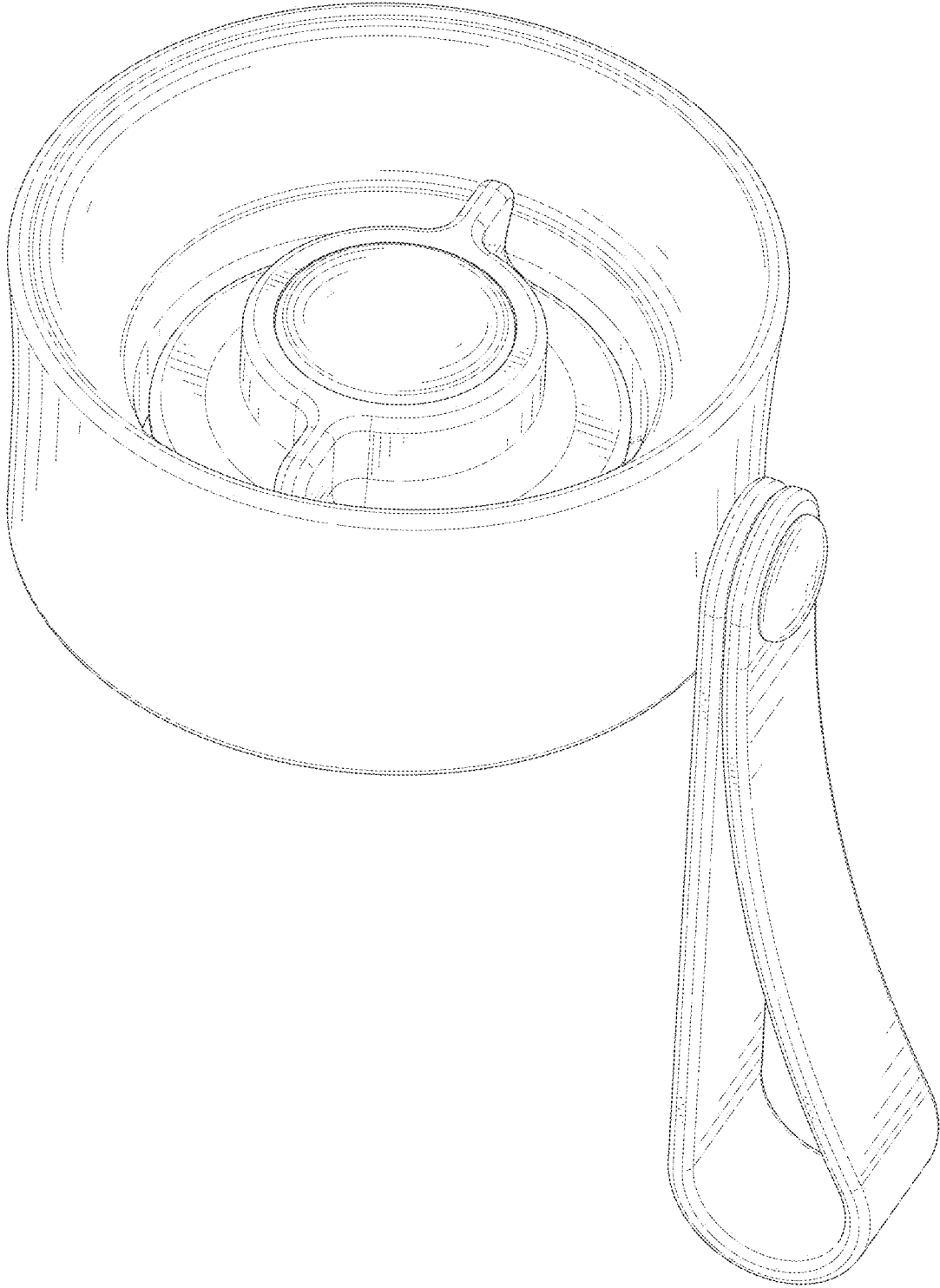


FIG. 1

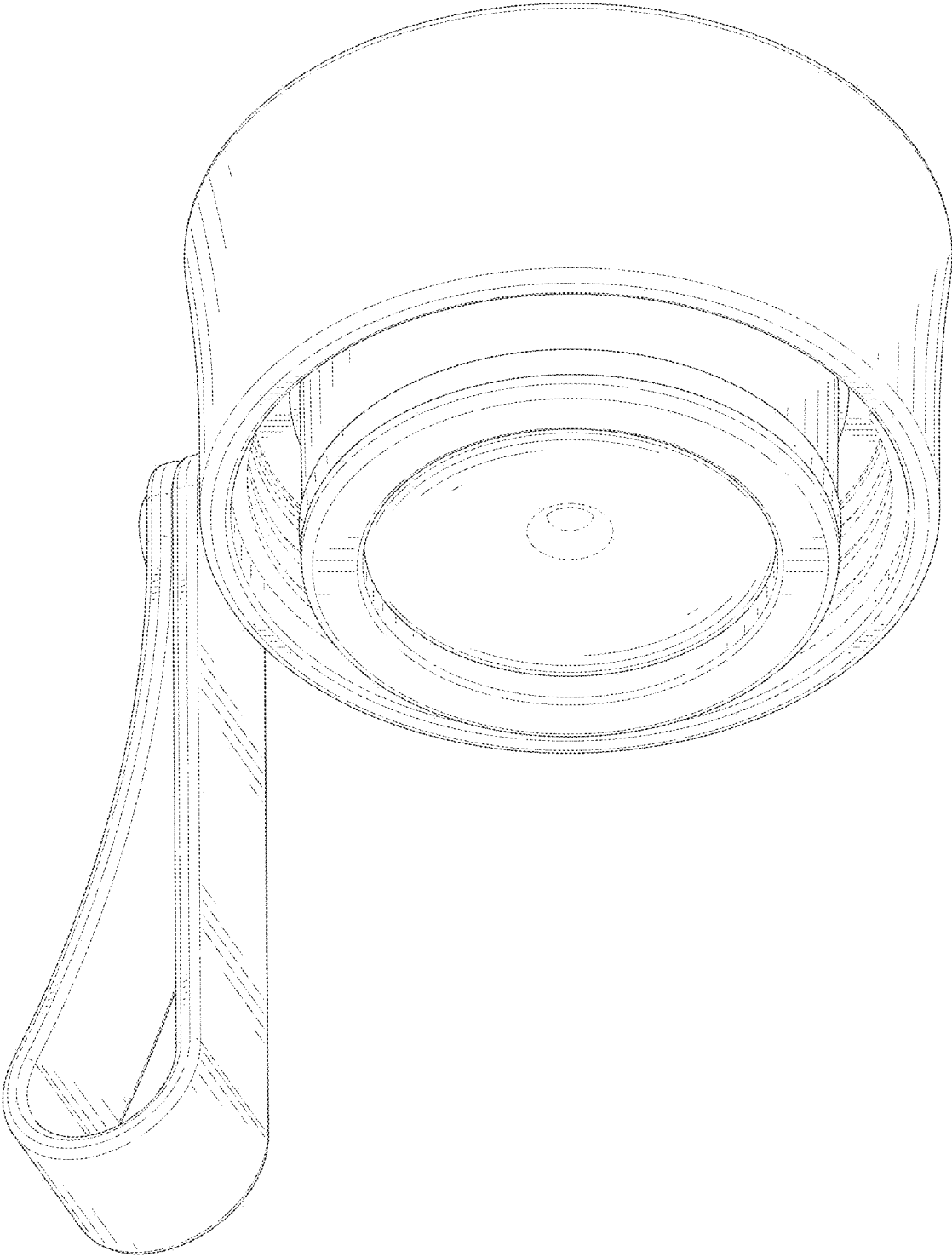


FIG. 2

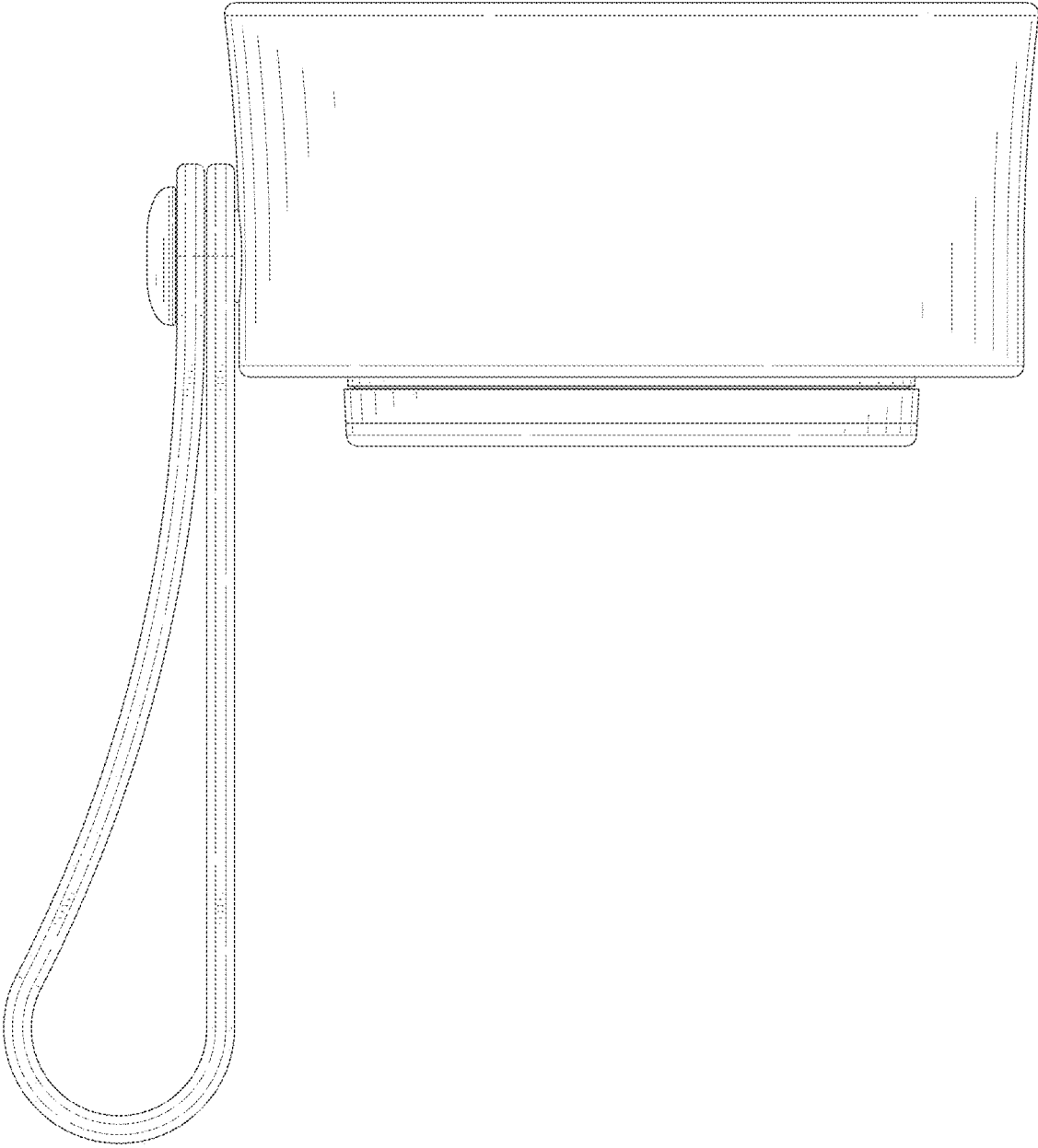


FIG. 3

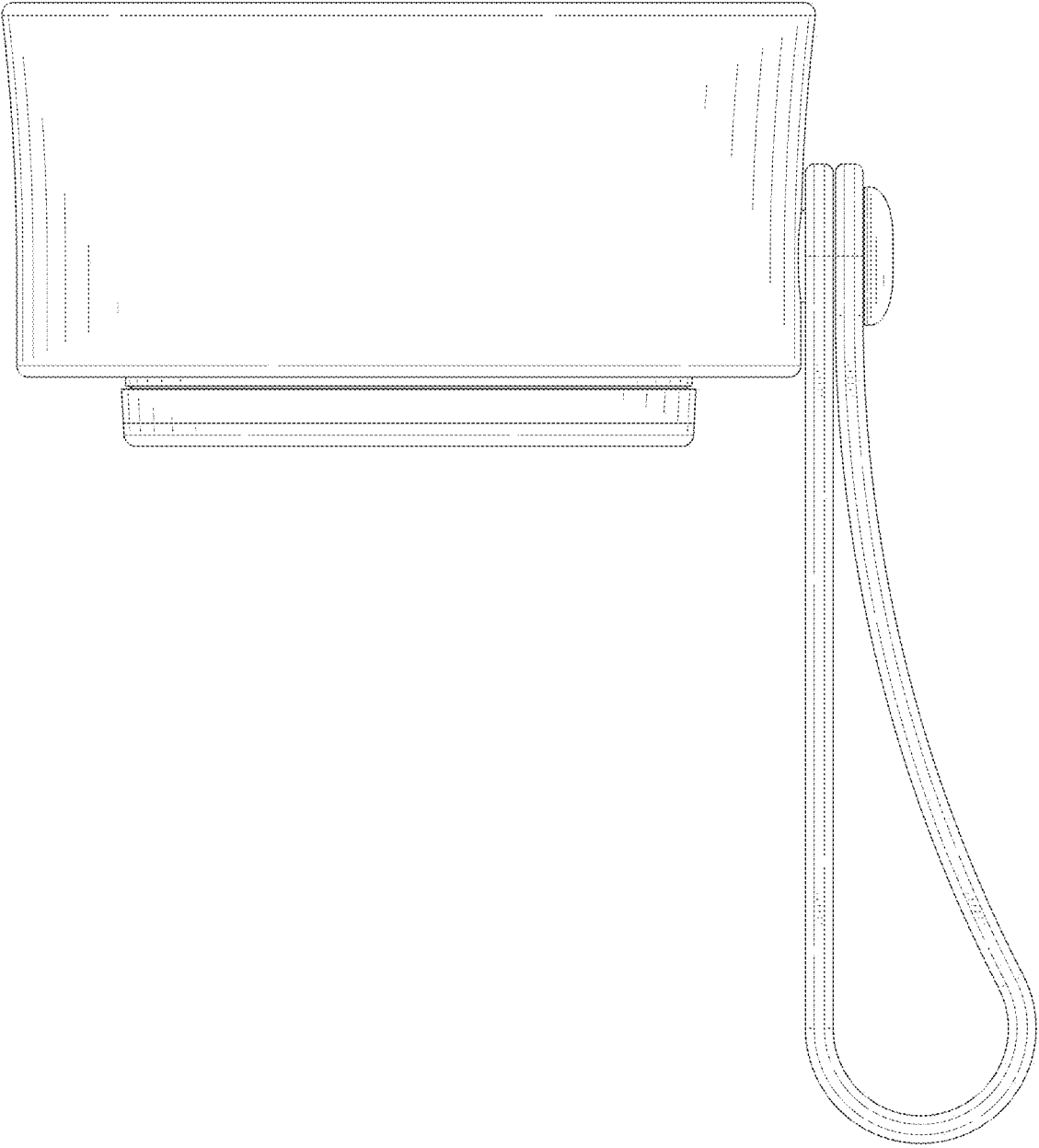


FIG. 4

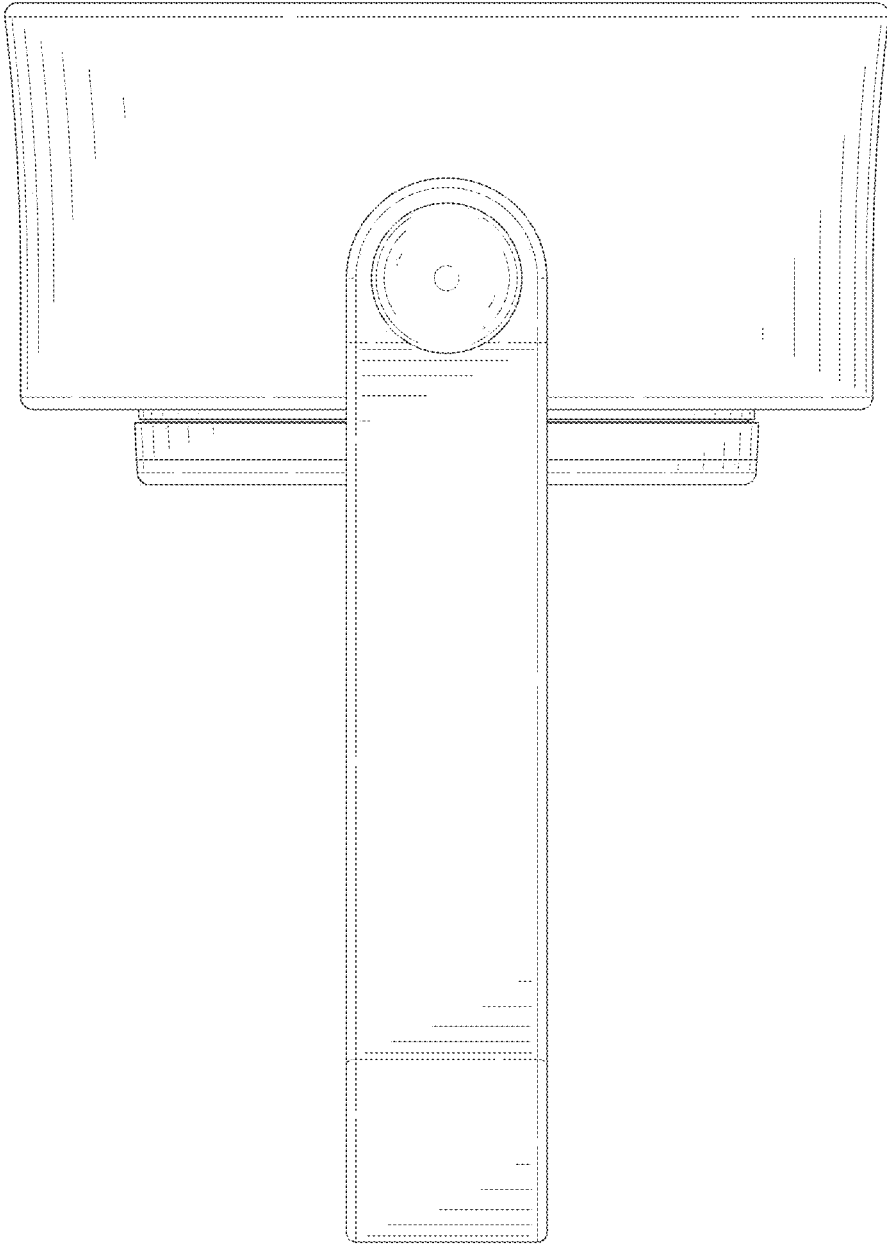


FIG. 5

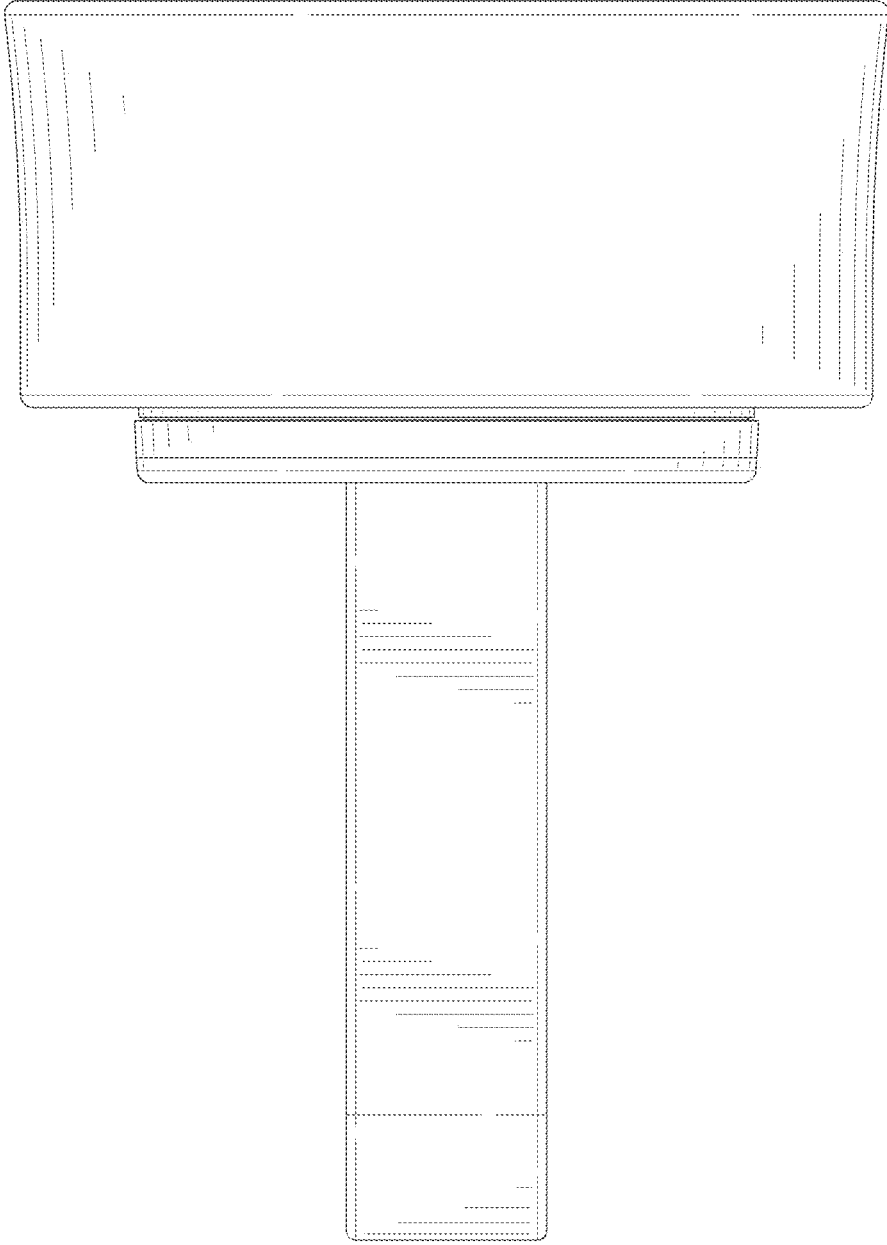


FIG. 6

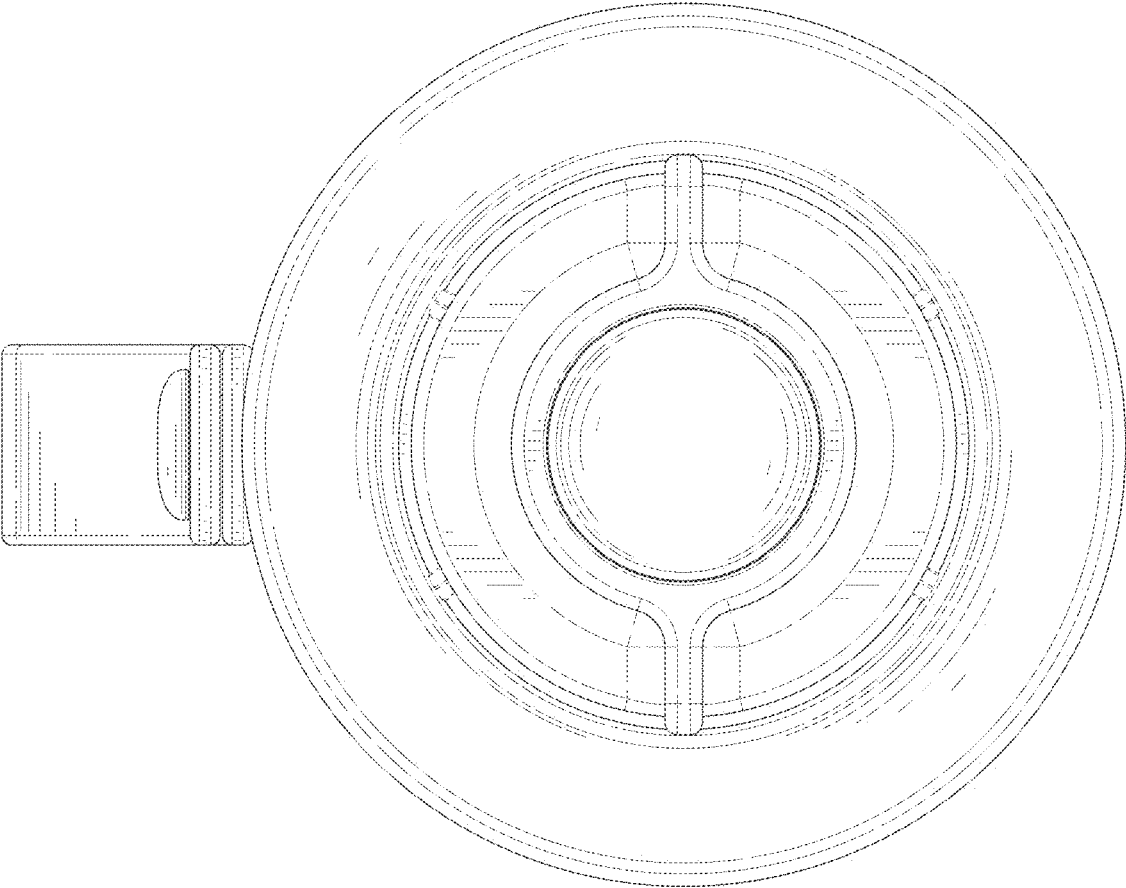


FIG. 7

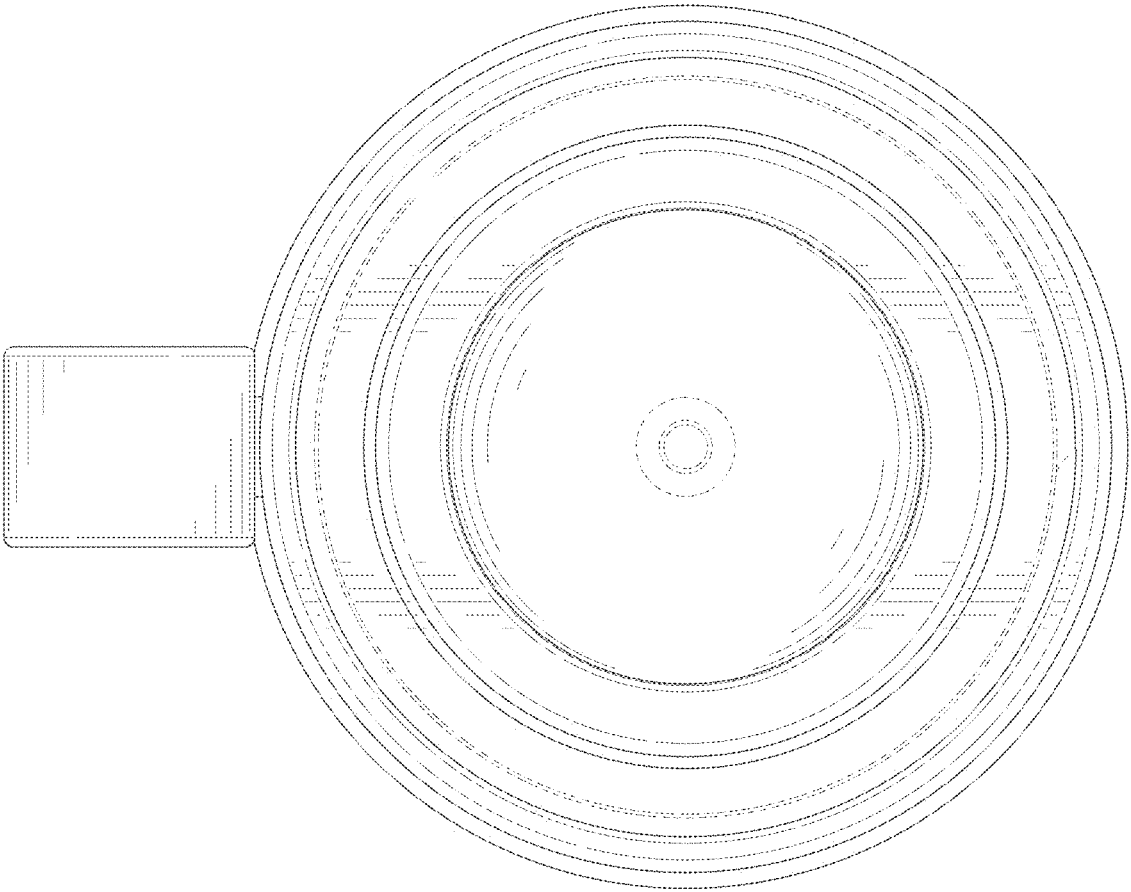


FIG. 8