



US00D795026S

(12) **United States Design Patent**
Fouquet

(10) **Patent No.:** **US D795,026 S**

(45) **Date of Patent:** **** Aug. 22, 2017**

(54) **ELECTRIC FRUIT JUICE EXTRACTOR**

(71) Applicant: **SANTOS**, Vaulx-en-Velin (FR)

(72) Inventor: **Nicolas Fouquet**, Chassieu (FR)

(**) Term: **15 Years**

(21) Appl. No.: **35/500,902**

(22) Filed: **Apr. 15, 2016**

(80) **Hague Agreement Data**

Int. Filing Date: **Apr. 15, 2016**

Int. Reg. No.: **DM/090270**

Int. Reg. Date: **Apr. 15, 2016**

Int. Reg. Pub. Date: **May 6, 2016**

(30) **Foreign Application Priority Data**

Oct. 16, 2015 (EM) 002826024-0001

(51) **LOC (10) Cl.** **31-00**

(52) **U.S. Cl.**
USPC **D7/665**

(58) **Field of Classification Search**

USPC D7/665-668, 372, 376, 381, 382

CPC A47J 19/02; A47J 19/027; A47J 19/00;

A47J 19/06; A47J 19/022; A47J 43/046;

A47J 43/0794; A23N 1/02; A23N 1/003

See application file for complete search history.

(56) **References Cited**

U.S. PATENT DOCUMENTS

D594,717 S *	6/2009	Wu Chang	D7/665
D641,214 S *	7/2011	Choi	D7/665
D670,138 S *	11/2012	Hu	D7/665
D676,287 S *	2/2013	Ferraby	D7/665
D684,827 S *	6/2013	Kim	D7/665
D698,210 S *	1/2014	Lavy	D7/665
D718,094 S *	11/2014	Yan	D7/665
D733,505 S *	7/2015	Choi	D7/665
D740,621 S *	10/2015	Fouquet	D7/665
D778,127 S *	2/2017	Chen	D7/665

* cited by examiner

Primary Examiner — Michael A Pratt

(57) **CLAIM**

The ornamental design of an electric fruit juice extractor, as shown and described.

DESCRIPTION

1. Electric fruit juice extractor

1.1 : Perspective

1.2 : Front

1.3 : Back

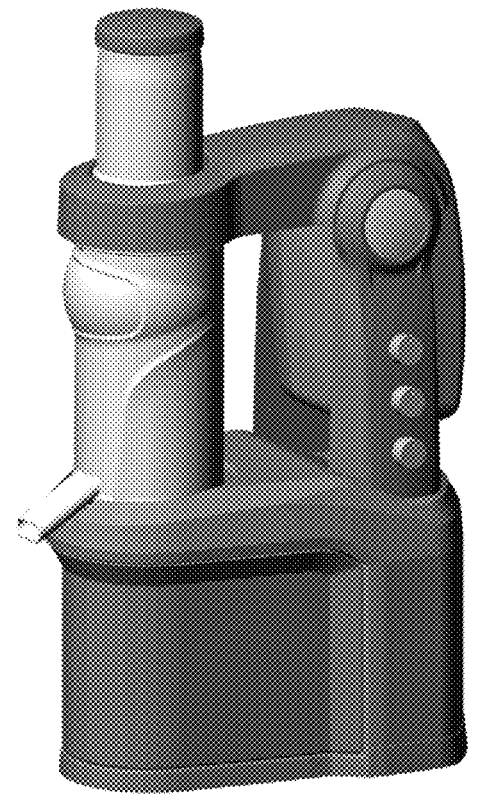
1.4 : Right

1.5 : Left

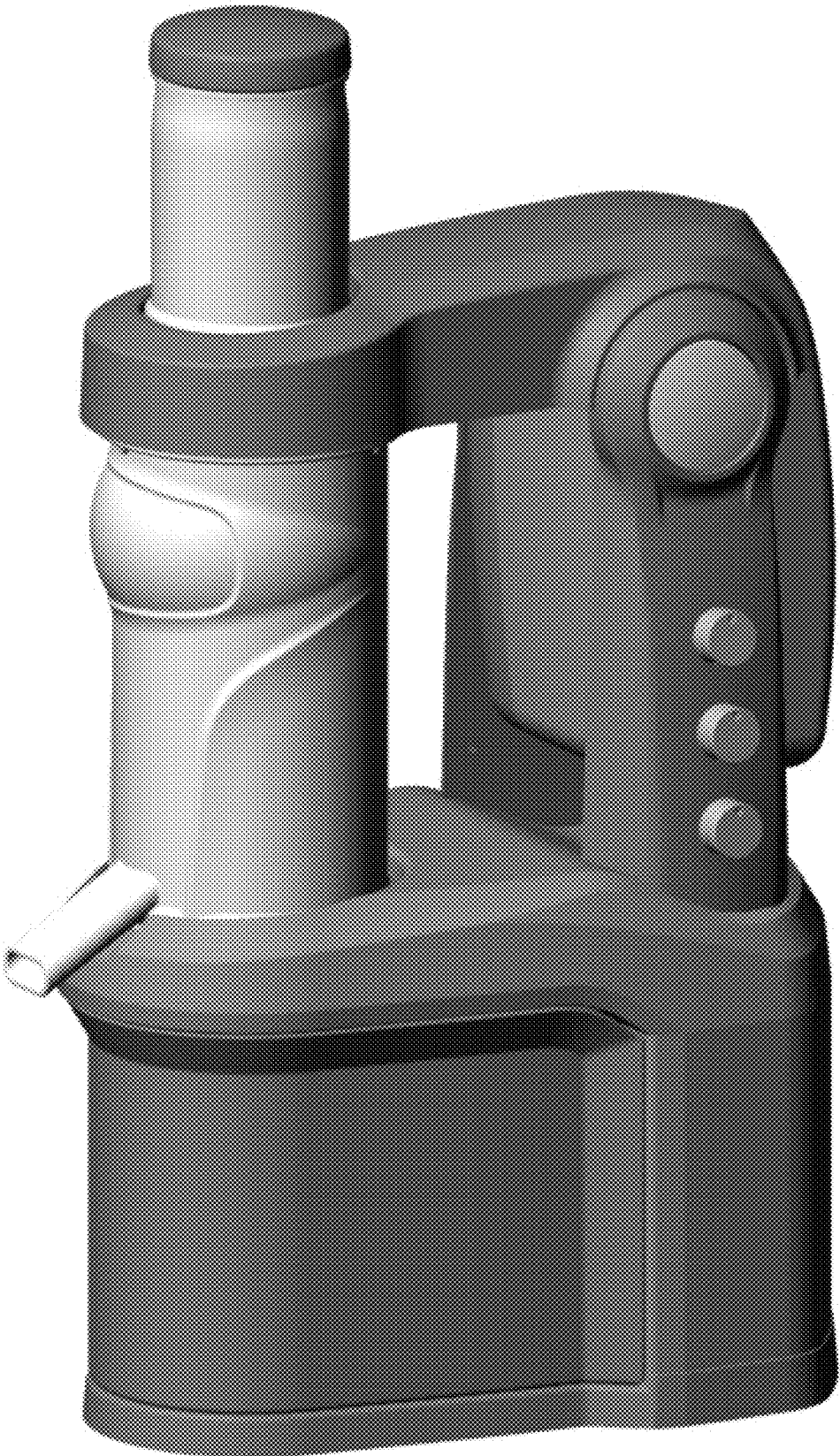
1.6 : Top

1.7 : Bottom

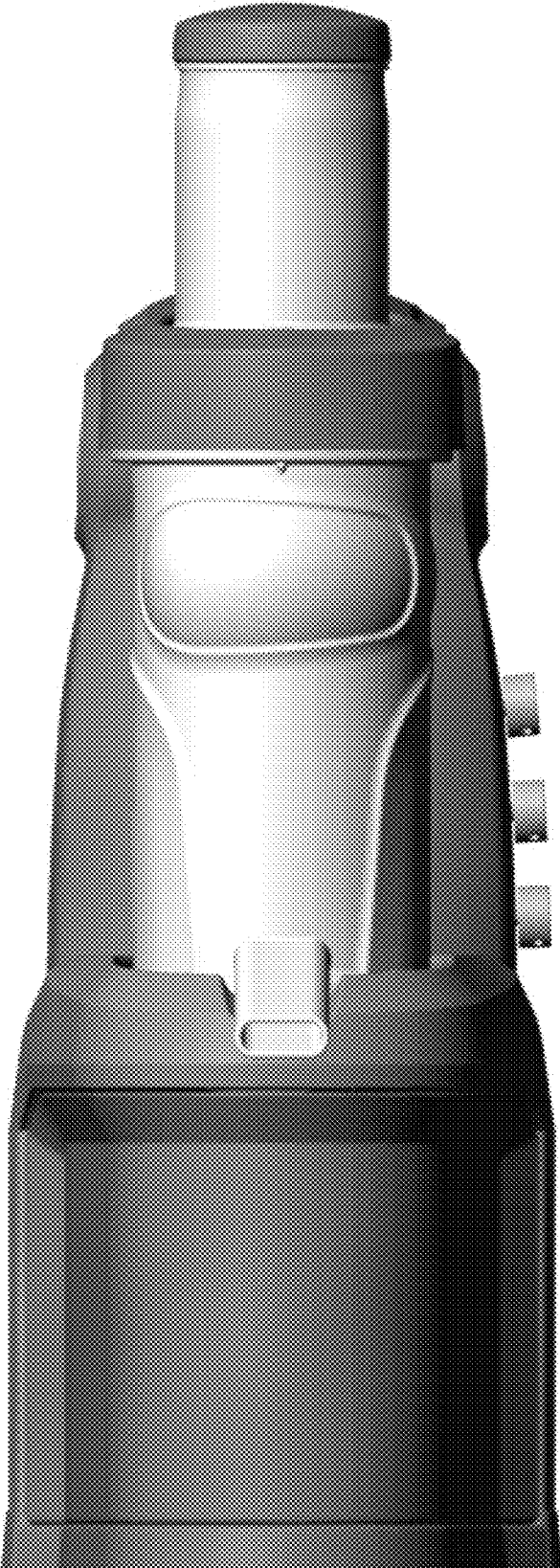
1 Claim, 7 Drawing Sheets



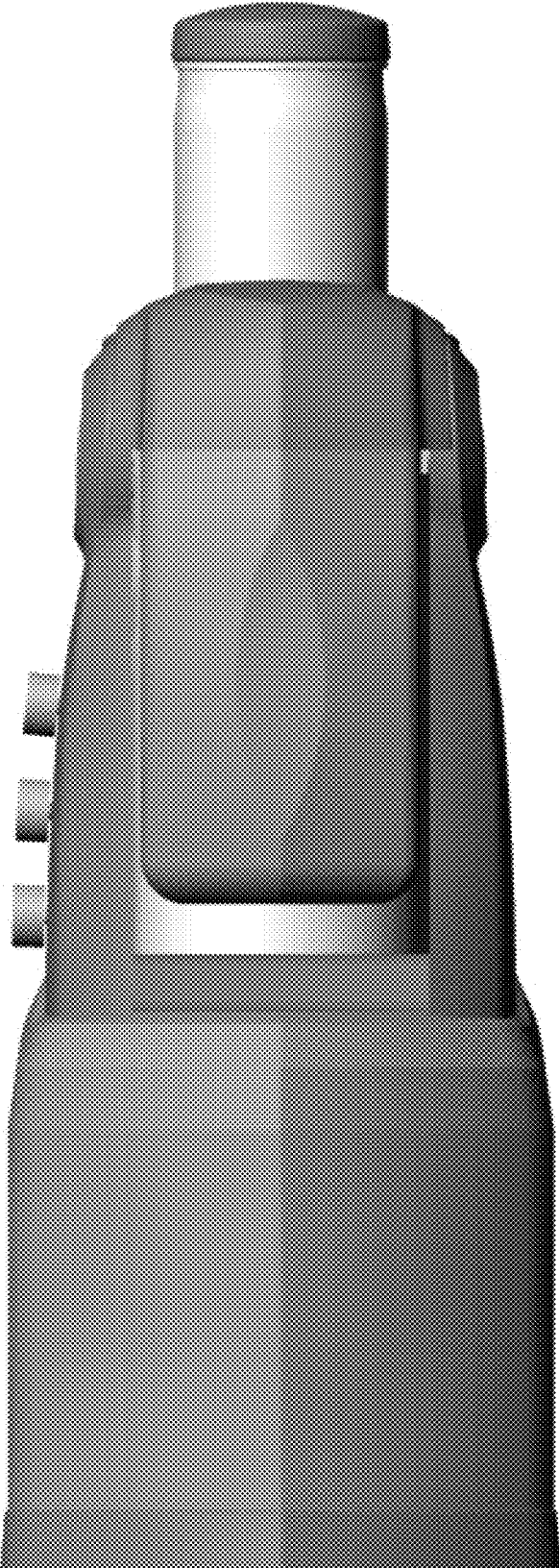
1.1



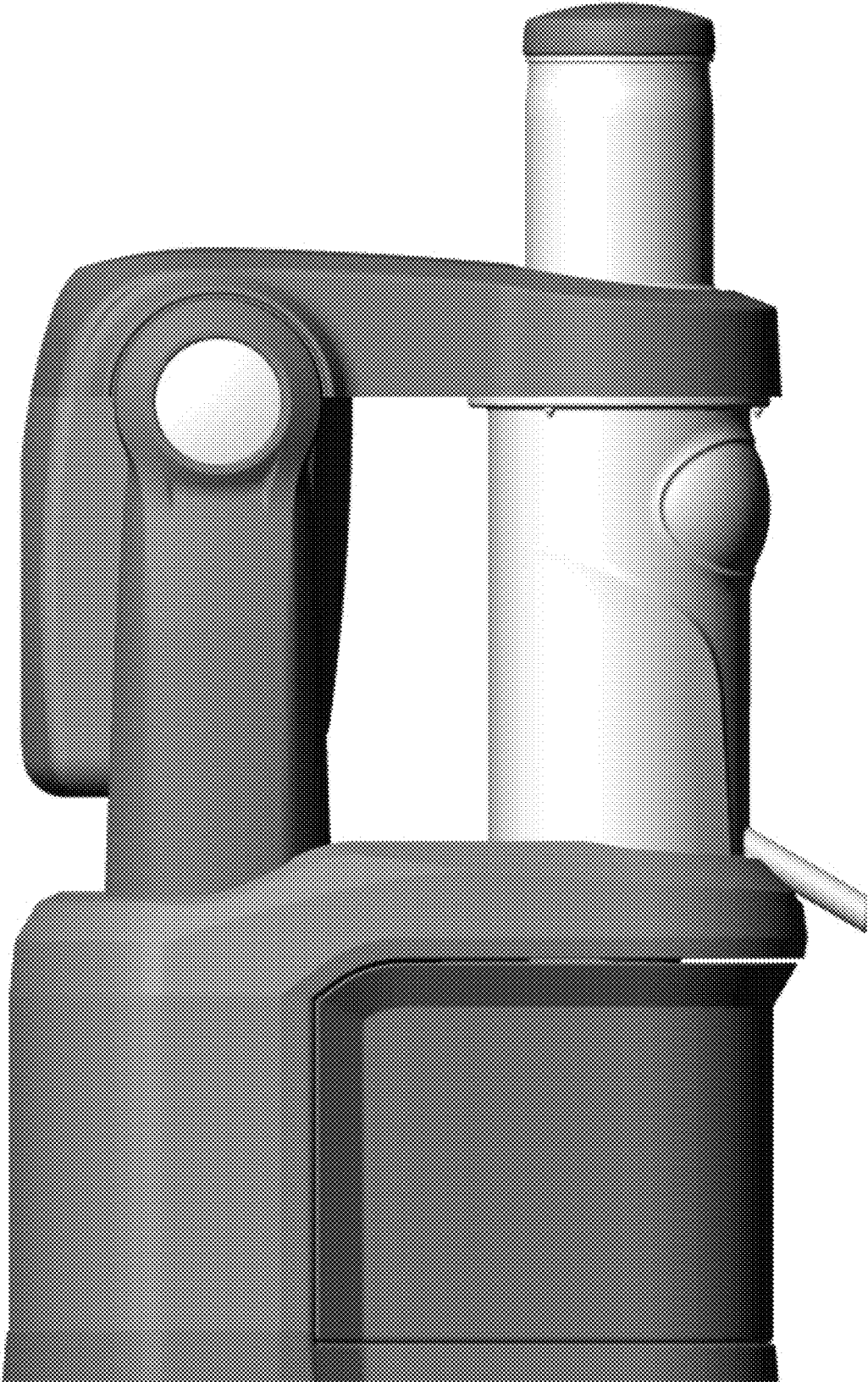
1.2



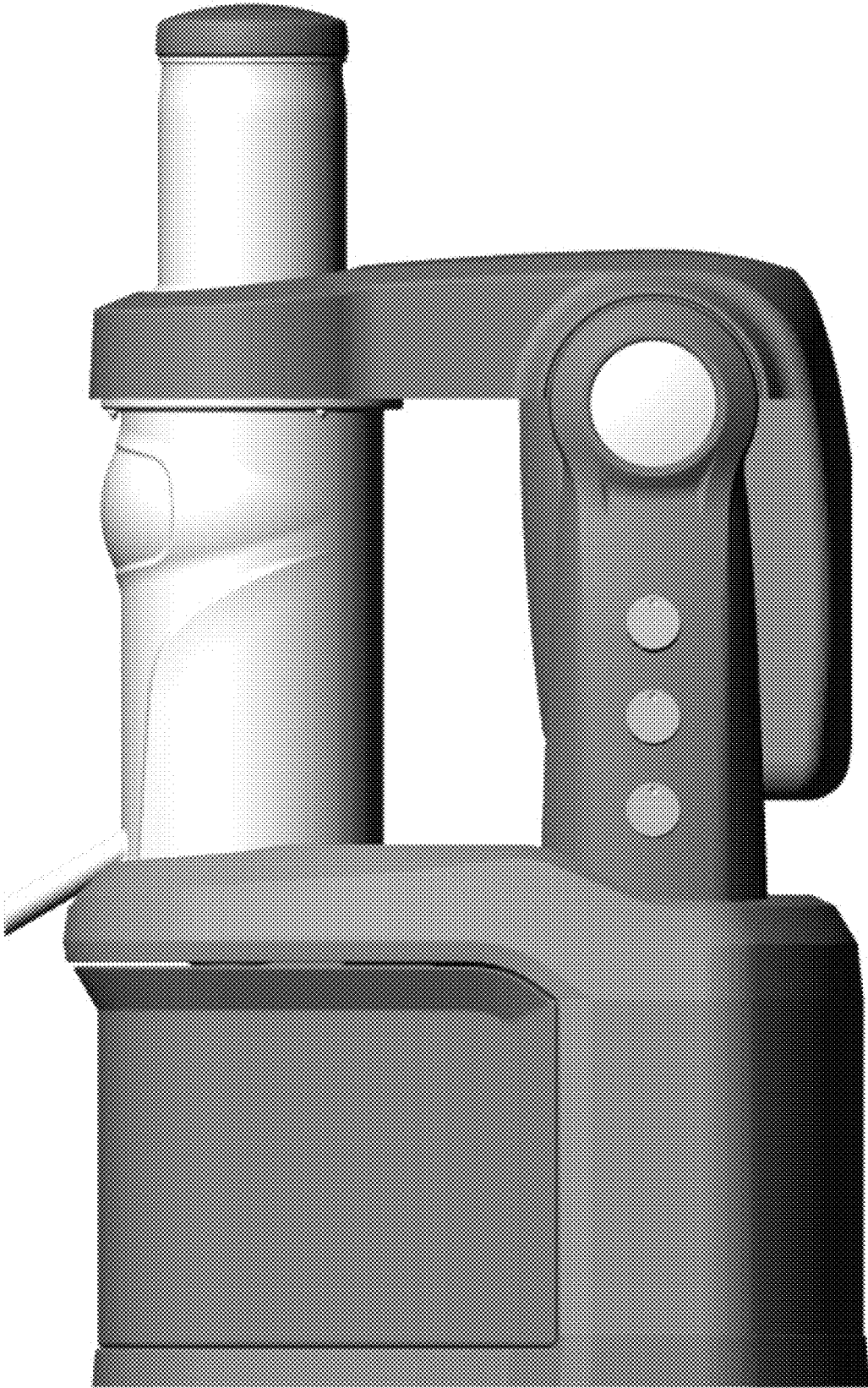
1.3



1.4



1.5



1.6



1.7

