



US00D408618S

# United States Patent [19]

[11] Patent Number: **Des. 408,618**

Wilborn et al.

[45] Date of Patent: **\*\*Apr. 27, 1999**

[54] **SHOE ELEMENT**

[75] Inventors: **Donald R. Wilborn**, Saddle River, N.J.;  
**Homar Hernandez**, Kew Gardens, N.Y.

[73] Assignee: **BBC International Ltd.**, Boca Raton,  
Fla.

[\*\*] Term: **14 Years**

[21] Appl. No.: **29/079,339**

[22] Filed: **Nov. 12, 1997**

[51] **LOC (6) Cl.** ..... **02-99**

[52] **U.S. Cl.** ..... **D2/947; D2/946; D2/972**

[58] **Field of Search** ..... **D2/896, 902, 907,**  
**D2/910, 947, 969, 972, 973, 946; 36/83,**  
**113, 126-131, 45, 50.1**

D. 350,023	8/1994	Hatfield et al. .	
D. 351,277	10/1994	Aveni et al. .	
D. 363,372	10/1995	Hatfield et al. .	
D. 366,756	2/1996	Forland et al. .	
D. 375,619	11/1996	Backus et al. .	
D. 383,593	9/1997	Lozano .....	D2/947
D. 384,193	9/1997	Avar .	
D. 385,103	10/1997	Teague .	
D. 395,338	6/1998	Teague .....	D2/947
4,817,304	4/1989	Parker et al. .	
4,843,741	7/1989	Yung-Mao .	
5,188,447	2/1993	Chiang et al. .	
5,357,697	10/1994	Lin .	
5,406,724	4/1995	Lin .	
5,419,061	5/1995	Barrocas .	
5,477,435	12/1995	Rapisarda et al. .	
5,490,338	2/1996	Hwang et al. .	
5,546,681	8/1996	Goldston et al. .	
5,644,858	7/1997	Bemis .	

[56] **References Cited**

**U.S. PATENT DOCUMENTS**

D. 321,776	11/1991	Hatfield .
D. 328,385	8/1992	Hatfield .
D. 329,938	10/1992	Lucas .
D. 330,111	10/1992	Hatfield et al. .
D. 330,797	11/1992	Lucas .
D. 332,861	2/1993	Worthington .
D. 334,280	3/1993	Teague .
D. 334,650	4/1993	Teague .
D. 335,761	5/1993	Smith .
D. 335,952	6/1993	Forland et al. .
D. 336,771	6/1993	Hatfield et al. .
D. 339,674	9/1993	Avar .
D. 339,906	10/1993	Frachey et al. .
D. 341,700	11/1993	Avar .
D. 341,936	12/1993	Hatfield et al. .
D. 342,601	12/1993	Kilgore et al. .
D. 344,848	3/1994	Smith .
D. 347,106	5/1994	Sell, Jr. et al. .
D. 349,808	8/1994	Passke et al. .
D. 350,016	8/1994	Passke et al. .

*Primary Examiner*—Dominic Simone  
*Attorney, Agent, or Firm*—Michael J. Brown; John L. Chiatatalas

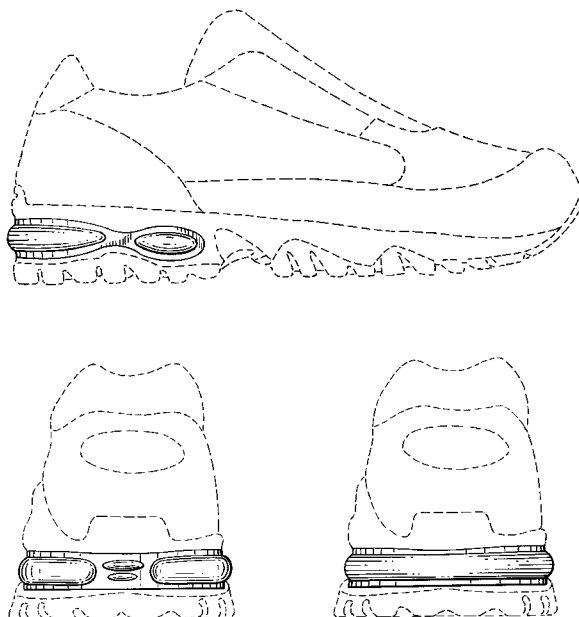
[57] **CLAIM**

I claim the ornamental design for the shoe element, as shown and described.

**DESCRIPTION**

FIG. 1 is a right side view of the new ornamental shoe element of the present invention.  
FIG. 2 is a left side view of the new ornamental shoe element shown in FIG. 1.  
FIG. 3 is a rear view of the new ornamental shoe element shown in FIG. 1; and,  
FIG. 4 is a rear view of an alternate embodiment of the new ornamental shoe element shown in FIG. 1.  
The front view of the new ornamental shoe element is not reproduced here as the shoe element is not in view when the shoe element is on the shoe.

**1 Claim, 3 Drawing Sheets**



*FIG. 1*

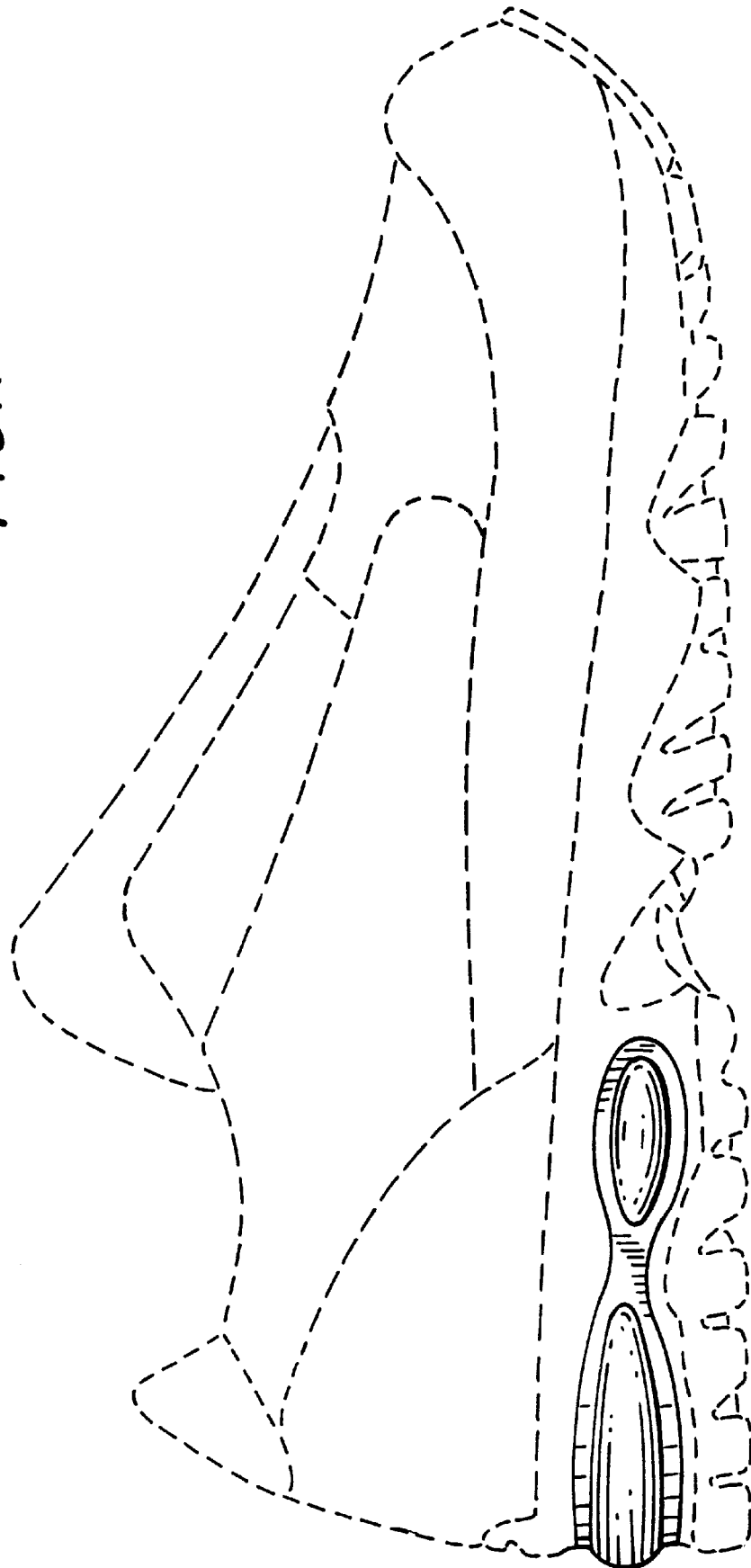


FIG. 2

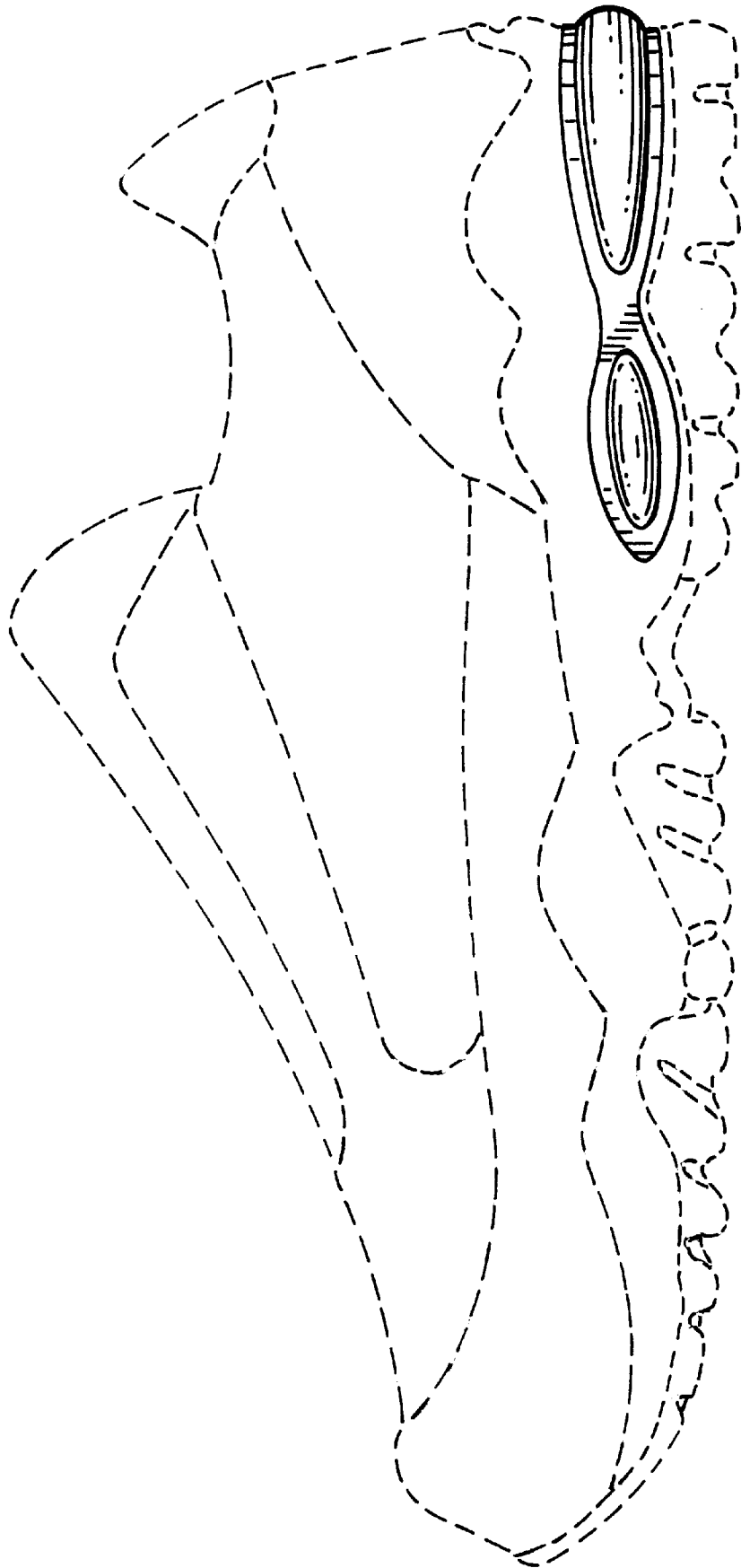


FIG. 4

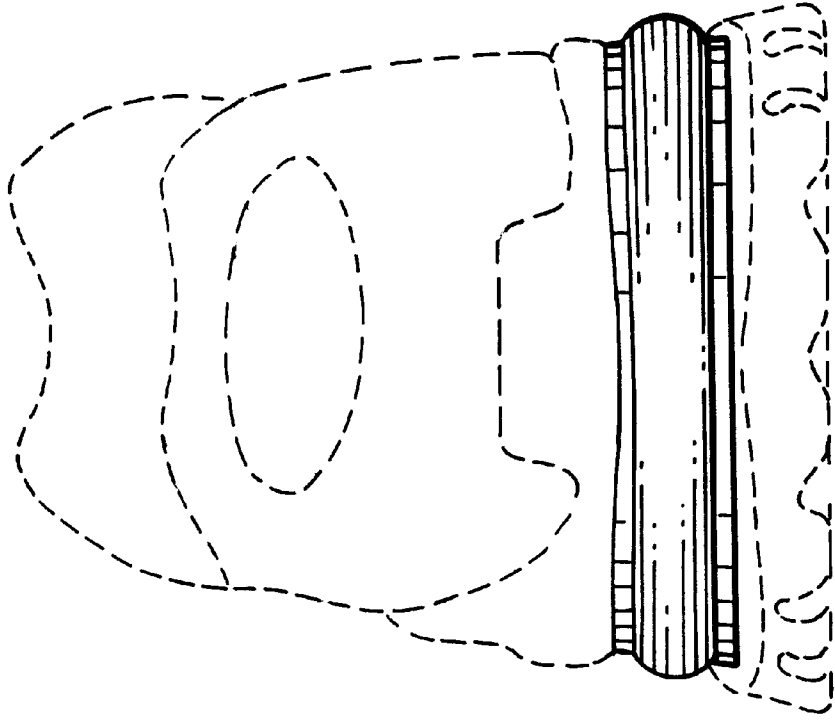


FIG. 3

