



US00D999372S

(12) **United States Design Patent**
Gross et al.

(10) **Patent No.:** **US D999,372 S**
(45) **Date of Patent:** **** Sep. 19, 2023**

- (54) **EYELID SPECULUM**
- (71) Applicant: **BioGenware, LLC**, Columbia, SC (US)
- (72) Inventors: **Jeffrey G. Gross**, Columbia, SC (US);
John Lowsky, Jr., Columbia, SC (US);
Joel Gross, Columbia, SC (US)
- (73) Assignee: **BioGenware, LLC**, Columbia, SC (US)
- (**) Term: **15 Years**
- (21) Appl. No.: **29/803,976**
- (22) Filed: **Aug. 17, 2021**
- (51) **LOC (14) Cl.** **24-02**
- (52) **U.S. Cl.**
USPC **D24/135**
- (58) **Field of Classification Search**
USPC D24/135, 133, 150, 157, 172
CPC ... A61B 1/32; A61B 17/0293; A61B 17/0231;
A61B 2560/04
See application file for complete search history.

- D505,203 S * 5/2005 Sinding D24/135
- D617,455 S * 6/2010 Mori D24/176
- 8,066,635 B2 11/2011 Beck
- 8,936,550 B2 1/2015 Urano et al.
- D756,515 S * 5/2016 Chin D24/150
- D756,516 S * 5/2016 Chin D24/150

(Continued)

FOREIGN PATENT DOCUMENTS

- CN 101167672 A 4/2008
- CN 101695460 A 4/2010

(Continued)

OTHER PUBLICATIONS

International Search Report and Written Opinion for PCT/US2020/024822, dated Jun. 22, 2020, 13 pages.

Primary Examiner — Bridget L Eland
(74) *Attorney, Agent, or Firm* — Dority & Manning, P.A.

(57) **CLAIM**

The ornamental design for an eyelid speculum, as shown and described.

(56) **References Cited**

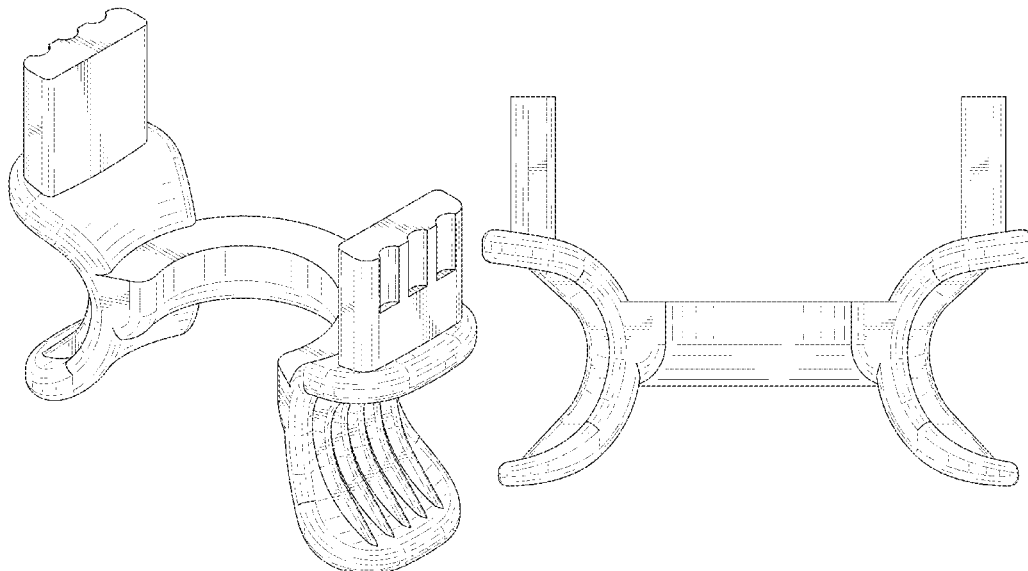
U.S. PATENT DOCUMENTS

- 3,409,349 A 11/1968 Boyle et al.
- 5,171,254 A 12/1992 Sher
- 5,374,272 A 12/1994 Arpa et al.
- 5,433,190 A 7/1995 Sunalp
- 5,938,674 A 8/1999 Terry
- 6,022,365 A 2/2000 Aufaure et al.
- D422,079 S * 3/2000 Yavitz D24/189
- 6,083,155 A 7/2000 Trese
- 6,267,752 B1 7/2001 Svetliza
- 6,440,065 B1 8/2002 Hered
- D489,130 S * 4/2004 Sinding D24/135
- D496,995 S * 10/2004 Dorfman A61B 1/24
D24/135
- D498,531 S * 11/2004 Sinding A61B 17/0231
D24/135
- D500,360 S * 12/2004 Sinding D24/135

DESCRIPTION

FIG. 1 is a front perspective view of an eyelid speculum showing our new design;
FIG. 2 is a rear perspective view of the eyelid speculum of FIG. 1;
FIG. 3 is a front view of the eyelid speculum of FIG. 1;
FIG. 4 is a rear view of the eyelid speculum of FIG. 1;
FIG. 5 is a right side view of the eyelid speculum of FIG. 1;
FIG. 6 is a left side view of the eyelid speculum of FIG. 1;
FIG. 7 is a top view of the eyelid speculum of FIG. 1; and
FIG. 8 is a bottom view of the eyelid speculum of FIG. 1.

1 Claim, 6 Drawing Sheets



(56)

References Cited

U.S. PATENT DOCUMENTS

9,668,916	B2	6/2017	Thompson	
10,130,351	B2	11/2018	Shugarman	
11,051,797	B2 *	7/2021	Gross	A61B 1/32
D943,095	S *	2/2022	Gross	D24/135
2009/0227846	A1	9/2009	Beck	
2012/0071726	A1	3/2012	Beck	
2016/0030239	A1	2/2016	Akura et al.	
2020/0305858	A1 *	10/2020	Gross	A61B 1/32
2021/0369380	A1 *	12/2021	Gross	A61B 50/30

FOREIGN PATENT DOCUMENTS

CN	206597081	U	10/2017
CN	108143540	A	6/2018
CN	109199692	A	1/2019
DE	9320127	U1	4/1994
EM	008189443-0001	*	11/2020
FR	2827497	A1	1/2003
GB	114051	A	3/1918
GB	2 382 779	B	6/2006
GB	2507285	B	11/2016
GB	9008189443-0001	*	9/2020
IL	65680	*	9/2021
IN	333671-001-0001	*	8/2021
JP	D1680638	*	3/2021
KR	101198016	B1	11/2012
KR	301191922.0000	*	11/2022
TW	200735852	A	10/2007
WO	WO 2011/077115	A1	6/2011
WO	WO 2017/027763	A1	2/2017
WO	WO 2018198686	A1	11/2018

* cited by examiner

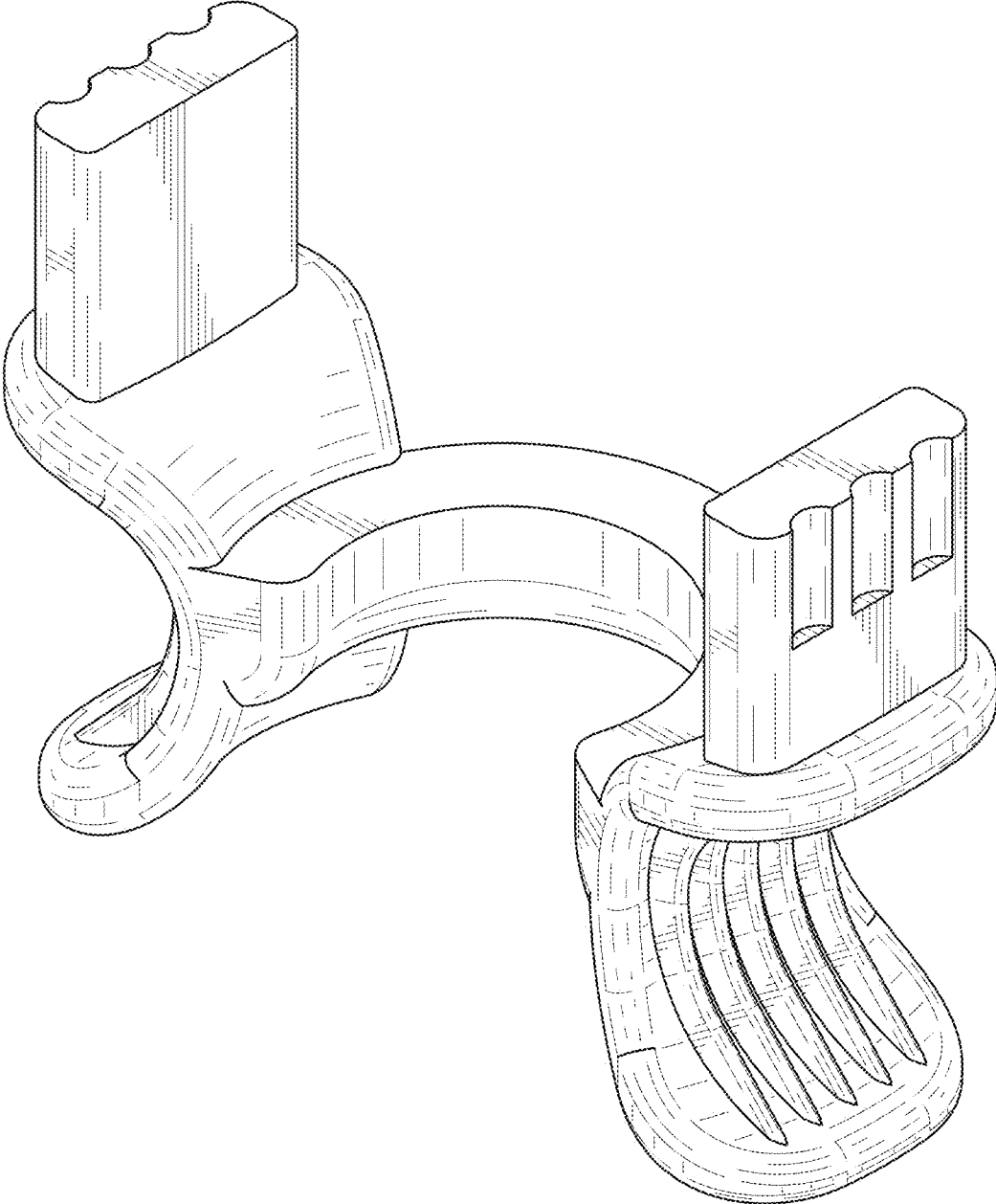


FIG. 1

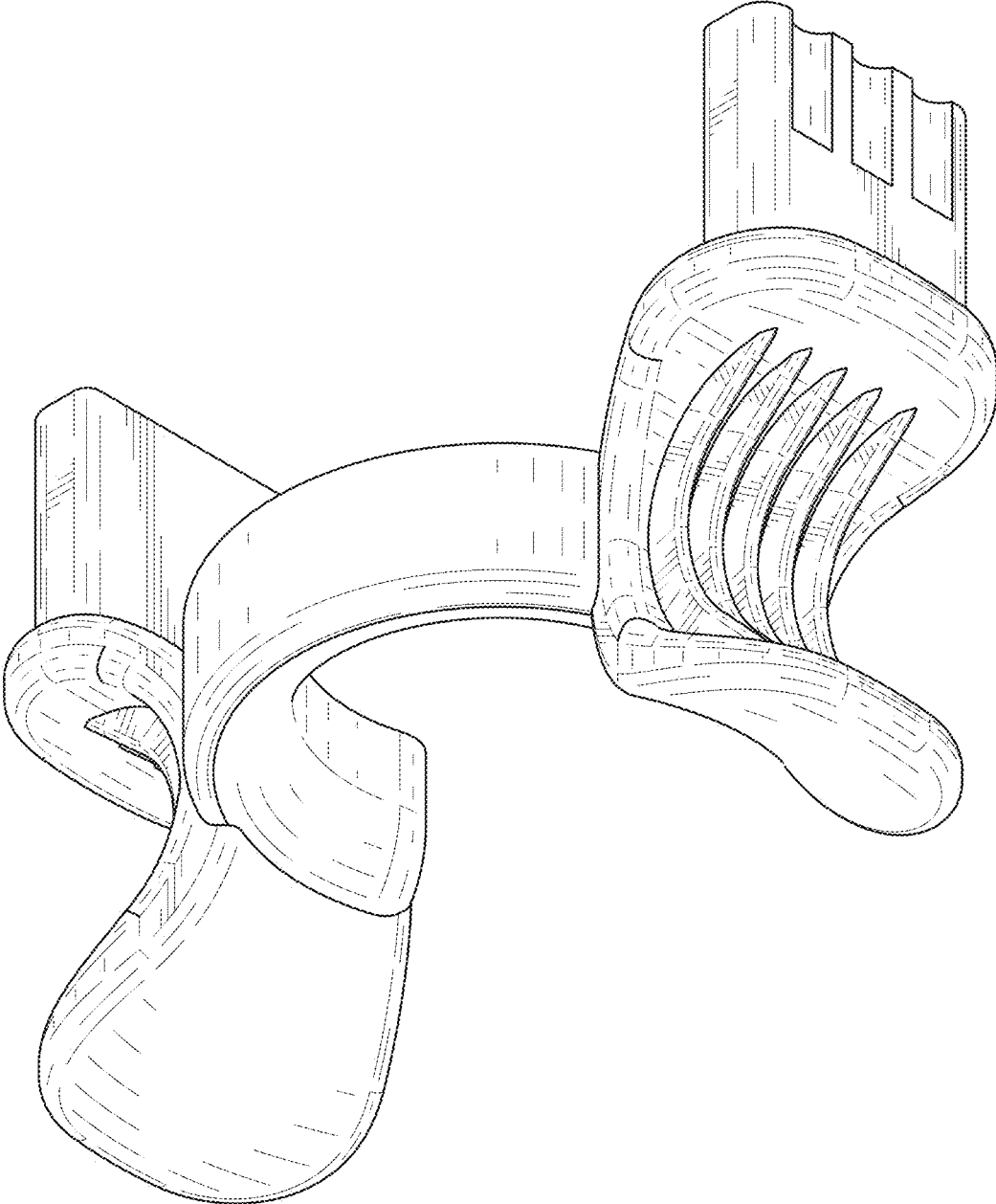


FIG. 2

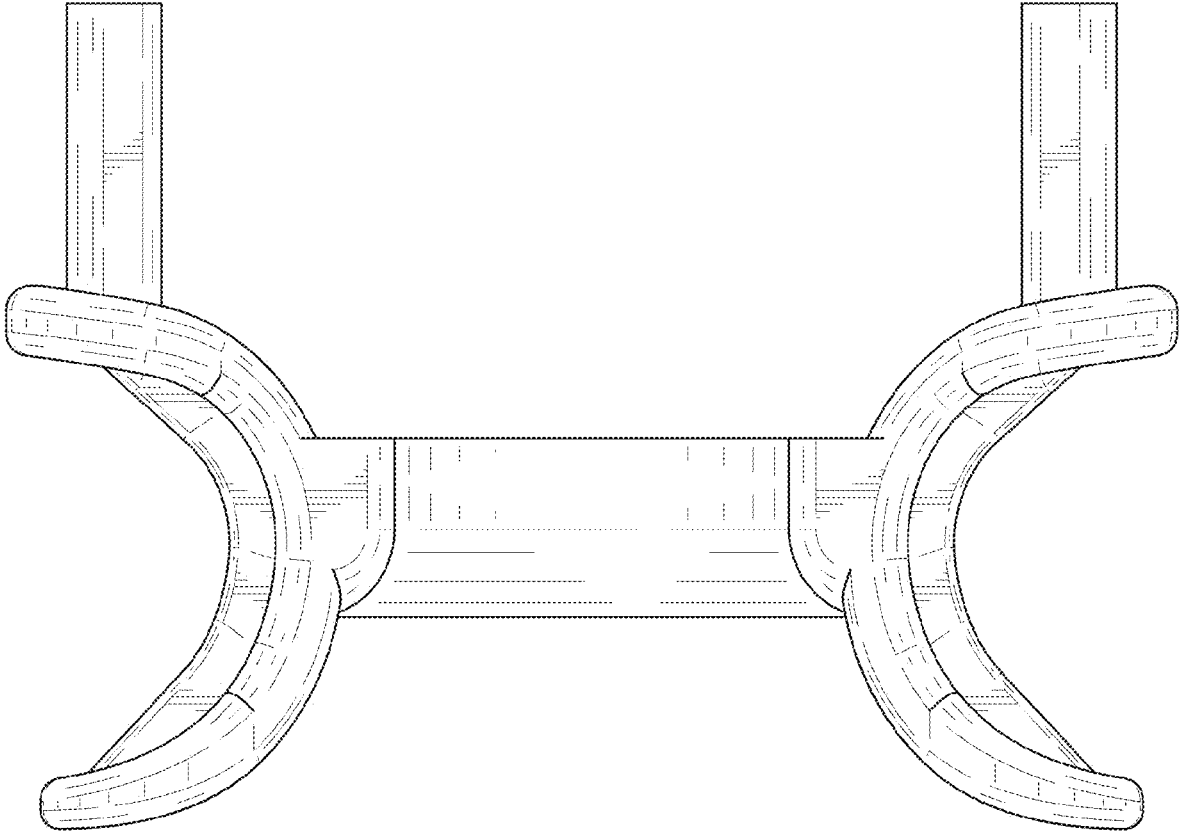


FIG. 3

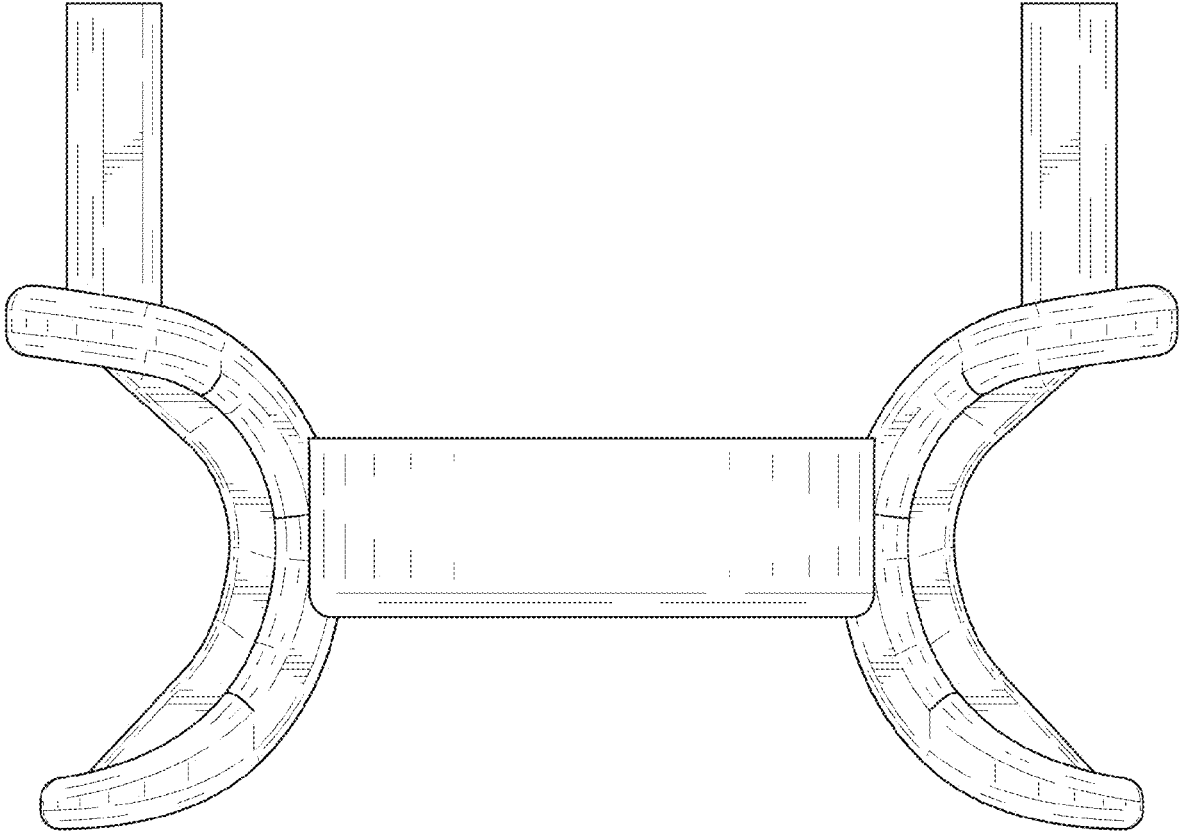


FIG. 4

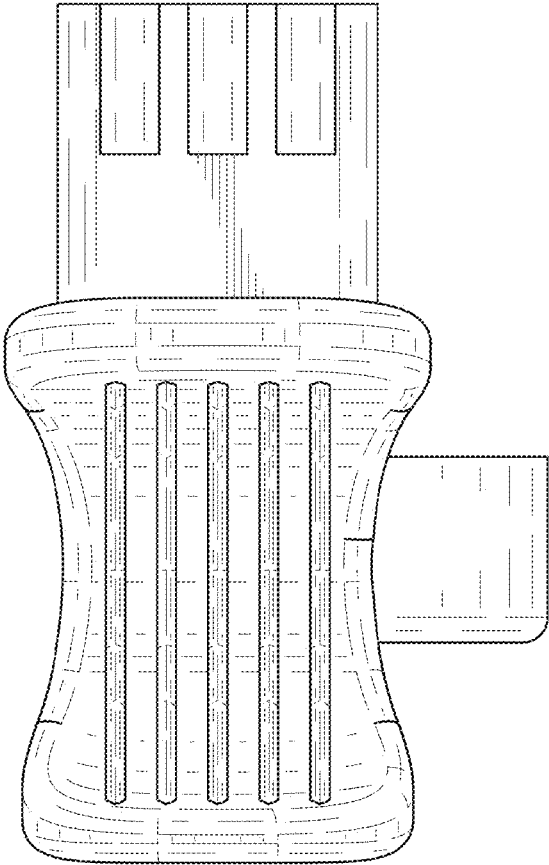


FIG. 5

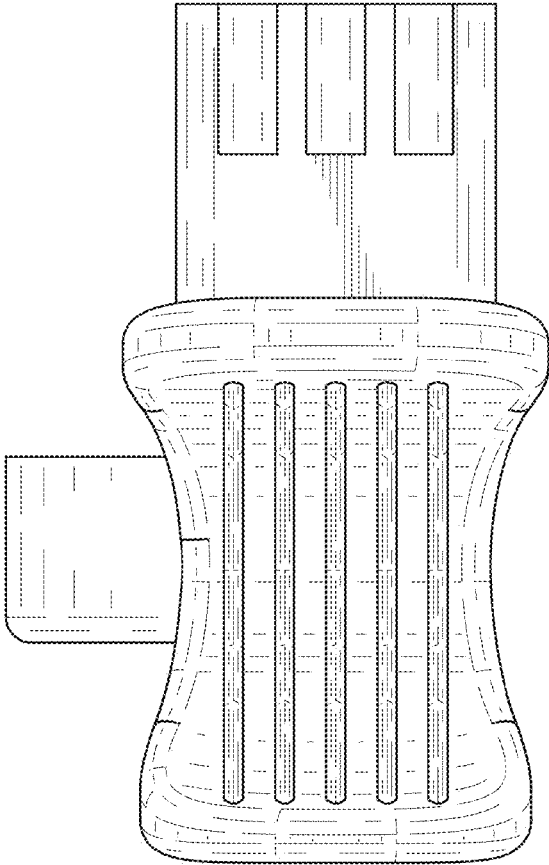


FIG. 6

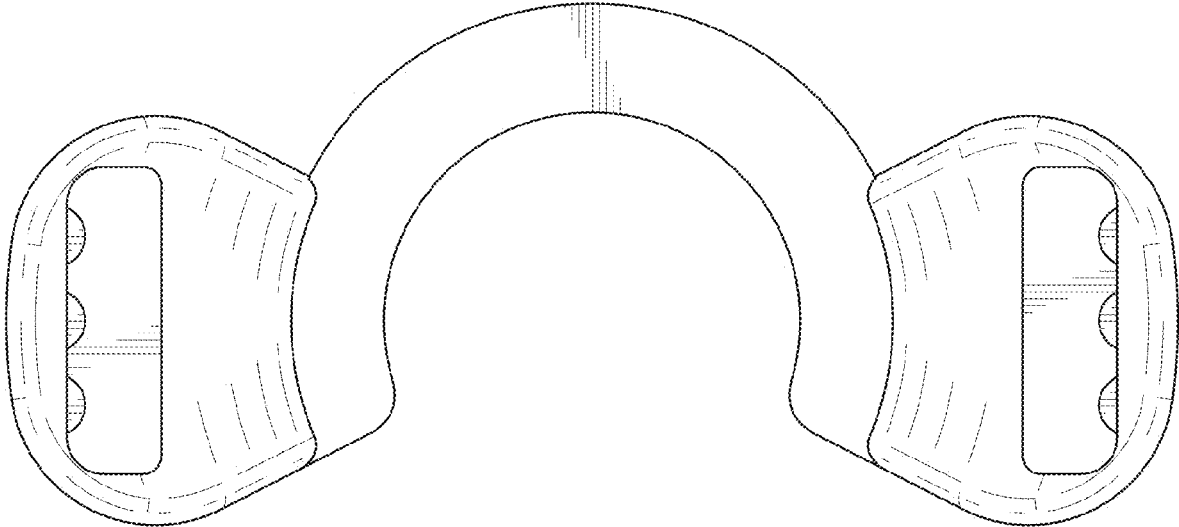


FIG. 7

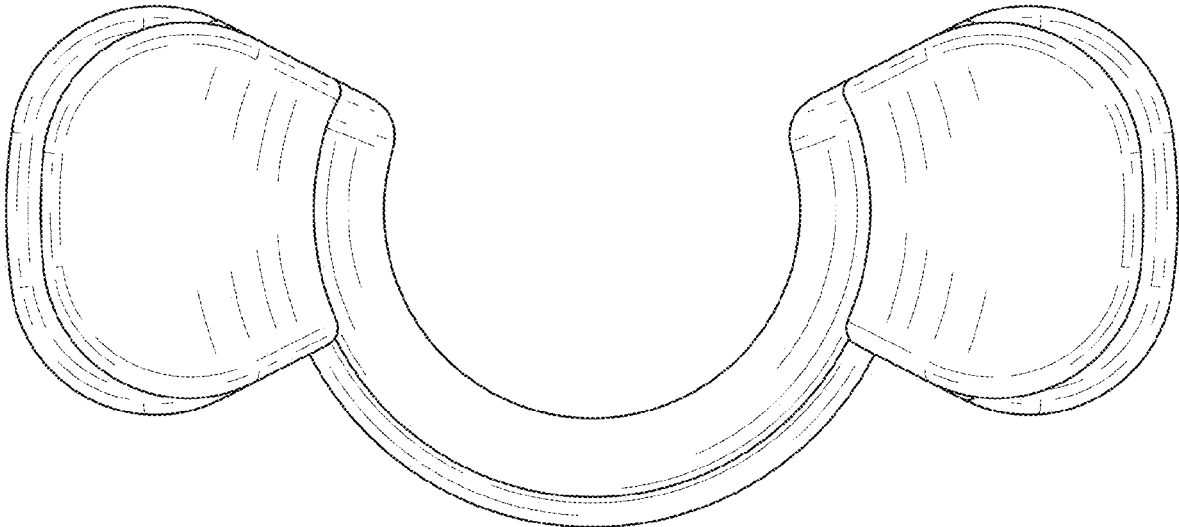


FIG. 8