



US00D344112S

United States Patent [19]

[11] Patent Number: Des. 344,112

Smith

[45] Date of Patent: ** Feb. 8, 1994

- [54] **PHYSICAL EXERCISER**
- [76] Inventor: **Gary H. Smith**, 40 North State, Apt. 8D, Salt Lake City, Utah 84103
- [**] Term: **14 Years**
- [21] Appl. No.: **896,475**
- [22] Filed: **Jun. 8, 1992**
- [52] U.S. Cl. **D21/195**
- [58] Field of Search 482/51, 57, 62, 72, 482/95, 96, 137; D21/191, 194, 195

- 4,300,760 11/1981 Bobroff 482/96
- 4,641,833 2/1987 Trethewey 482/72
- 4,743,010 5/1988 Geraci 482/95

Primary Examiner—Bernard Ansher
Assistant Examiner—Philip Hyder
Attorney, Agent, or Firm—Thorpe, North & Western

[57] **CLAIM**

The ornamental design for a physical exerciser, as shown and described.

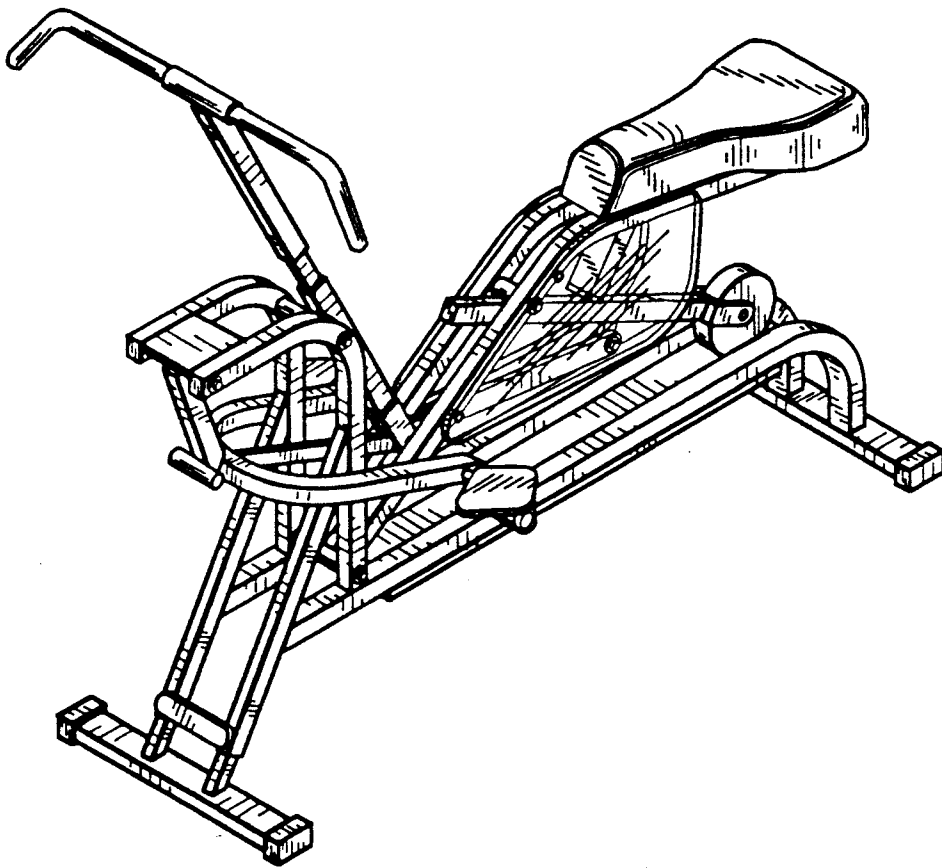
DESCRIPTION

FIG. 1 is a perspective view of the physical exerciser showing my new design;
 FIG. 2 is a right side view thereof;
 FIG. 3 is a front view thereof;
 FIG. 4 is a rear view thereof;
 FIG. 5 is a top plan view thereof; and,
 FIG. 6 is a bottom plan view thereof.

[56] **References Cited**

U.S. PATENT DOCUMENTS

- D. 193,437 8/1962 Pelham D21/195
- D. 216,903 3/1970 Rubel D21/195
- 2,145,940 2/1939 Marlowe 482/72
- 2,642,288 6/1953 Bell 482/96
- 3,380,737 4/1968 Elia 482/95



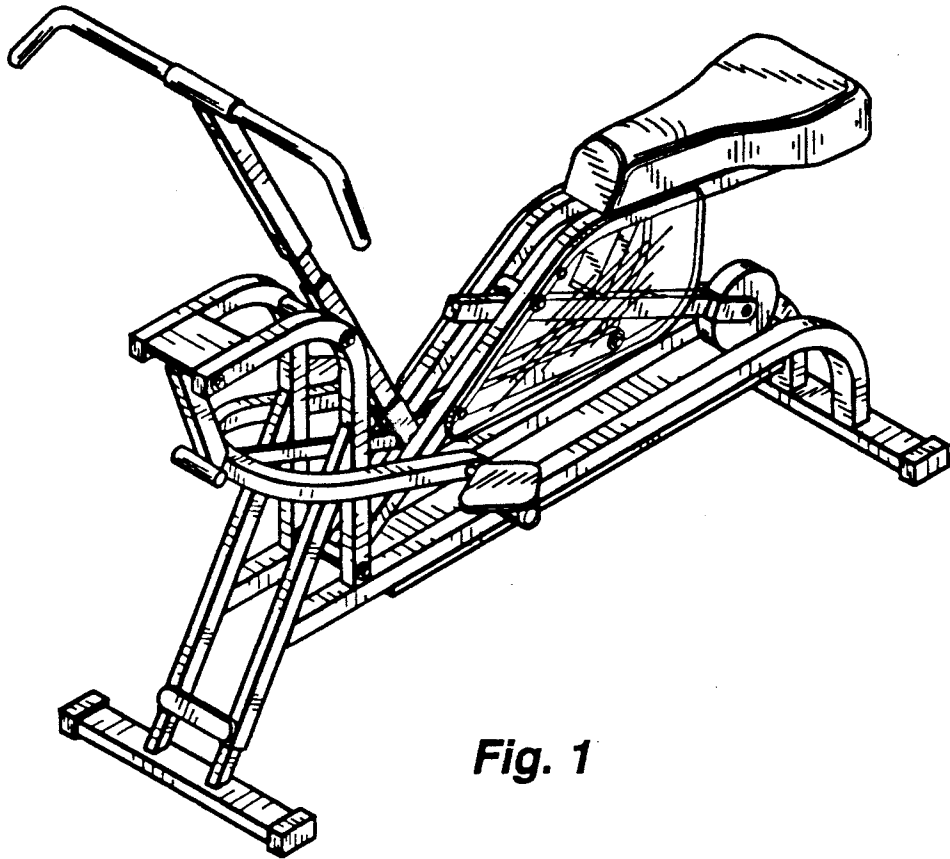


Fig. 1

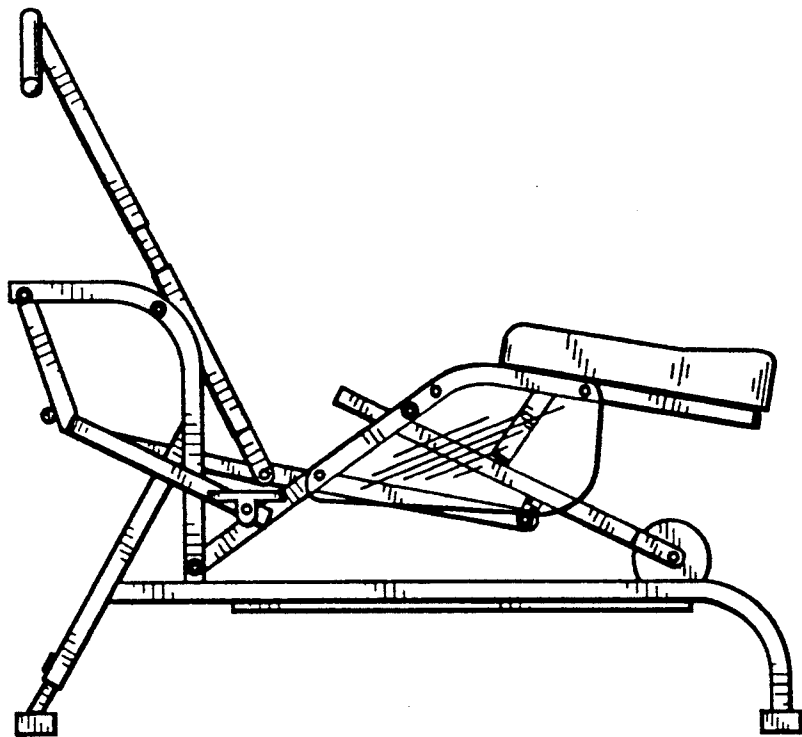


Fig. 2

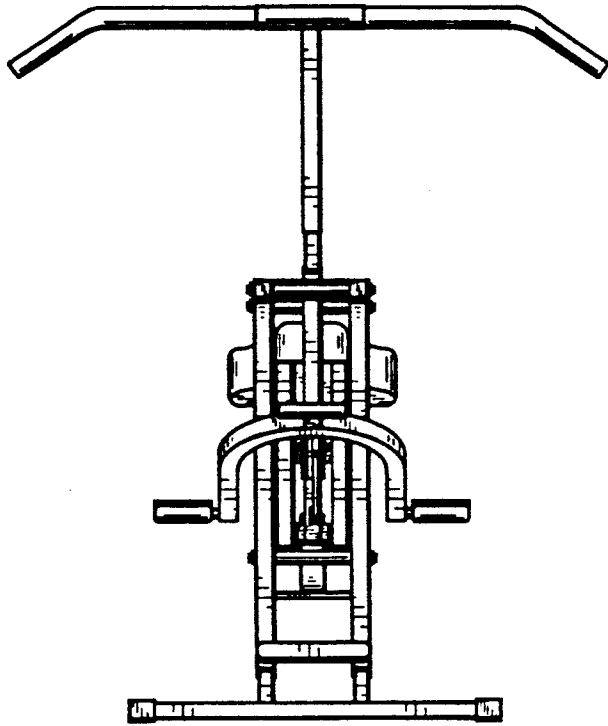


Fig. 3

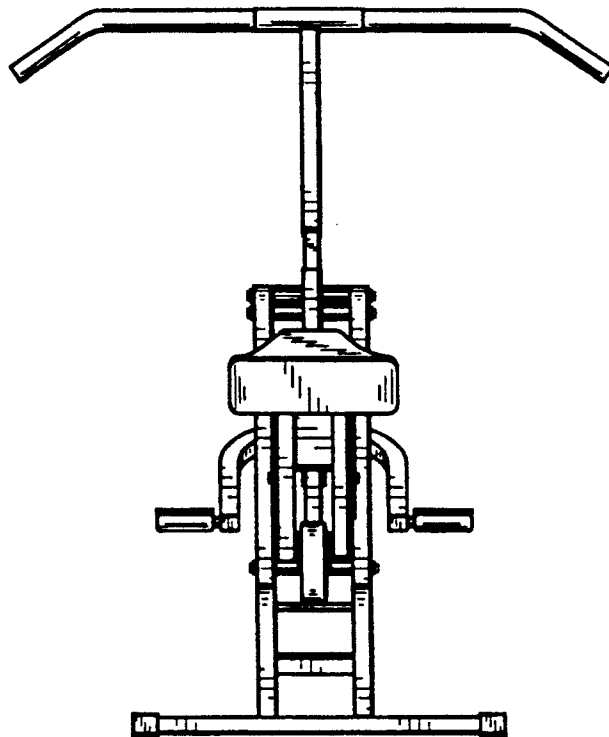


Fig. 4

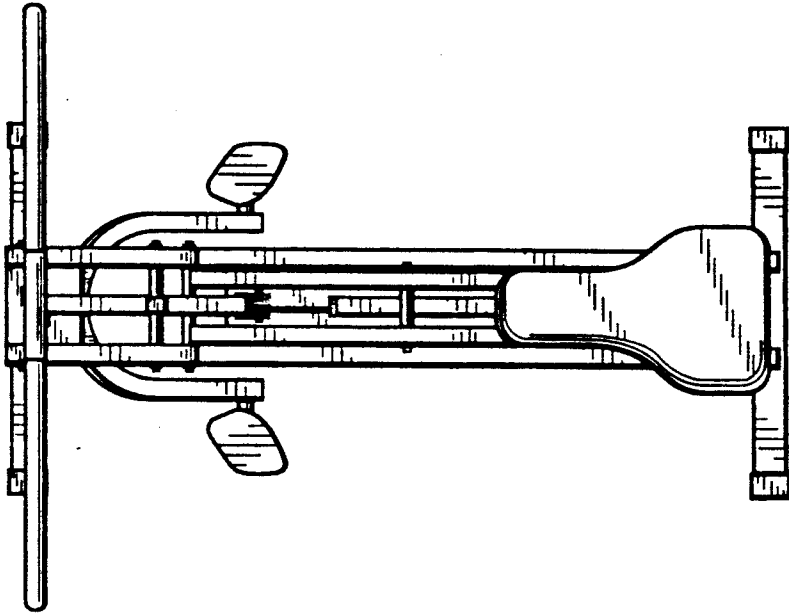


Fig. 5

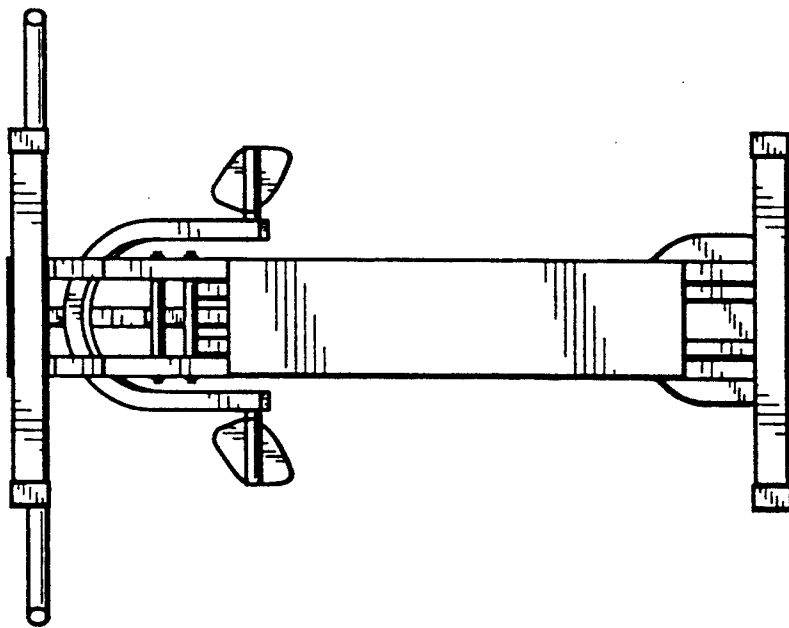


Fig. 6

UNITED STATES PATENT AND TRADEMARK OFFICE
CERTIFICATE OF CORRECTION

PATENT NO. : Des. 344,112

Page 1 of 5

DATED : February 8, 1994

INVENTOR(S) : Gary J. Smith

It is certified that error appears in the above-identified patent and that said Letters Patent is hereby corrected as shown below:

The Drawing Sheets consisting of Figs. 1-6, should be deleted to be replaced with the drawing sheets, consisting of Figs. 1-6, as shown on the attached pages.

The title page, should be deleted to appear as per attached title page.

Signed and Sealed this

Twenty-sixth Day of December, 1995

Attest:



BRUCE LEHMAN

Attesting Officer

Commissioner of Patents and Trademarks

United States Patent [19]
Smith

[11] **Patent Number: Des. 344,112**
[45] **Date of Patent: ** Feb. 8, 1994**

- [54] **PHYSICAL EXERCISER**
- [76] **Inventor: Gary H. Smith, 40 North State, Apt. 8D, Salt Lake City, Utah 84103**
- [**] **Term: 14 Years**
- [21] **Appl. No.: 896,475**
- [22] **Filed: Jun. 8, 1992**
- [52] **U.S. Cl. D21/195**
- [58] **Field of Search 482/51, 57, 62, 72, 482/95, 96, 137; D21/191, 194, 195**

4,300,760	11/1981	Bobroff	482/96
4,641,833	2/1987	Trethewey	482/72
4,743,010	5/1988	Geraci	482/95

Primary Examiner—Bernard Ansher
Assistant Examiner—Philip Hyder
Attorney, Agent, or Firm—Thorpe, North & Western

[57] **CLAIM**

The ornamental design for a physical exerciser, as shown and described.

DESCRIPTION

FIG. 1 is a perspective view of the physical exerciser showing my new design;
 FIG. 2 is a right side view thereof;
 FIG. 3 is a front view thereof;
 FIG. 4 is a rear view thereof;
 FIG. 5 is a top plan view thereof; and,
 FIG. 6 is a bottom plan view thereof.

- [56] **References Cited**
- U.S. PATENT DOCUMENTS**
- D. 193,437 8/1962 Pelham D21/195
- D. 216,903 3/1970 Rubel D21/195
- 2,145,940 2/1939 Marlowe 482/72
- 2,642,288 6/1953 Bell 482/96
- 3,380,737 4/1968 Elia 482/95

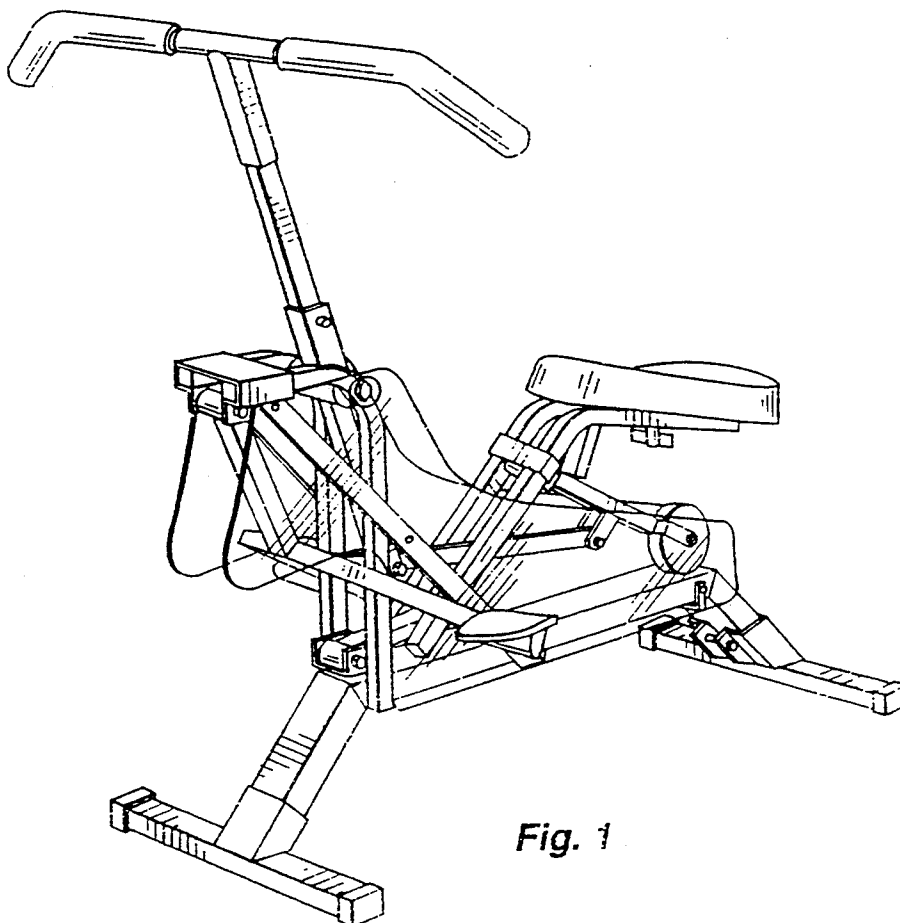


Fig. 1

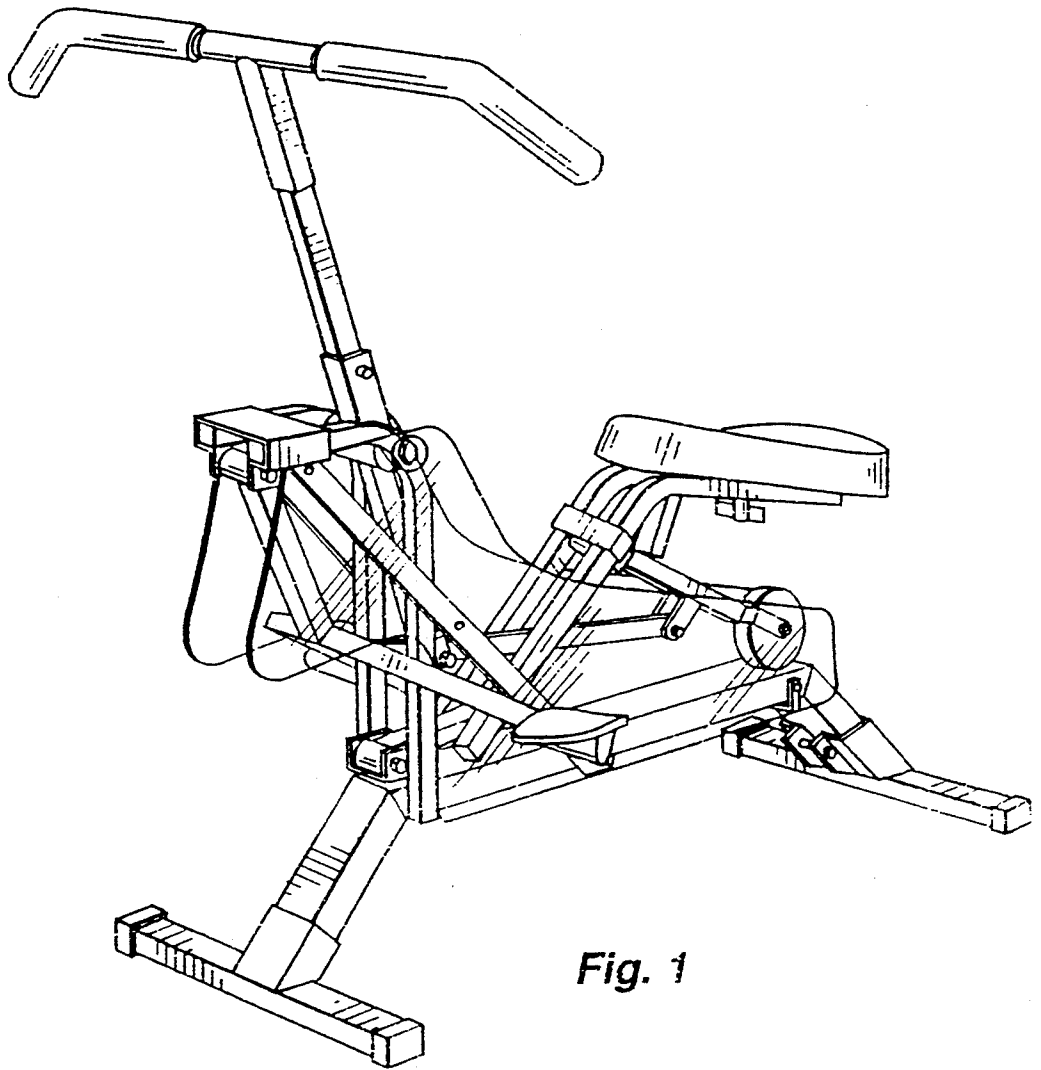


Fig. 1

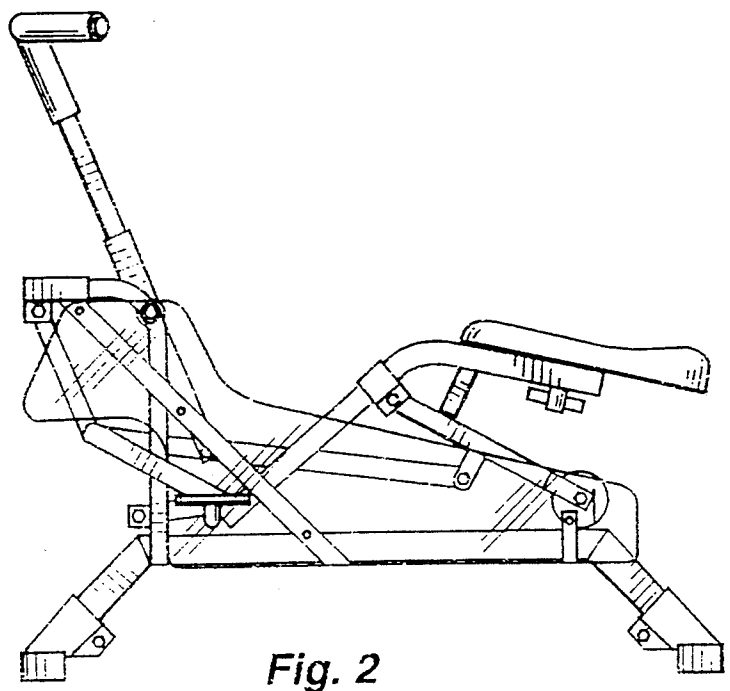


Fig. 2

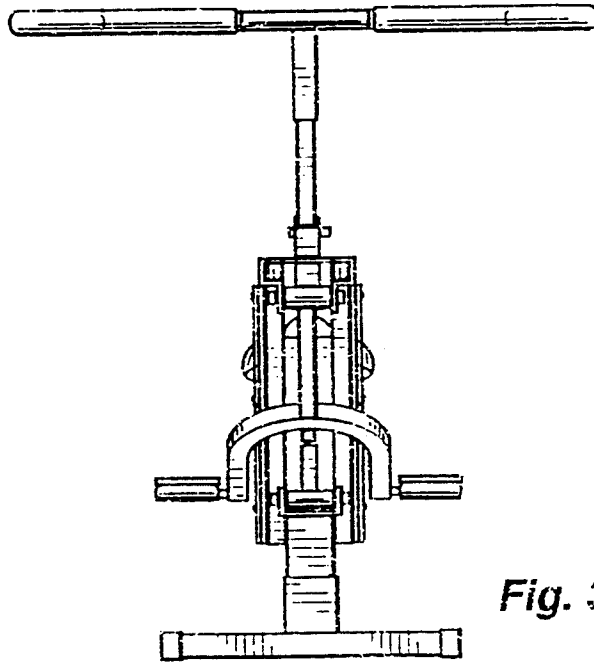


Fig. 3

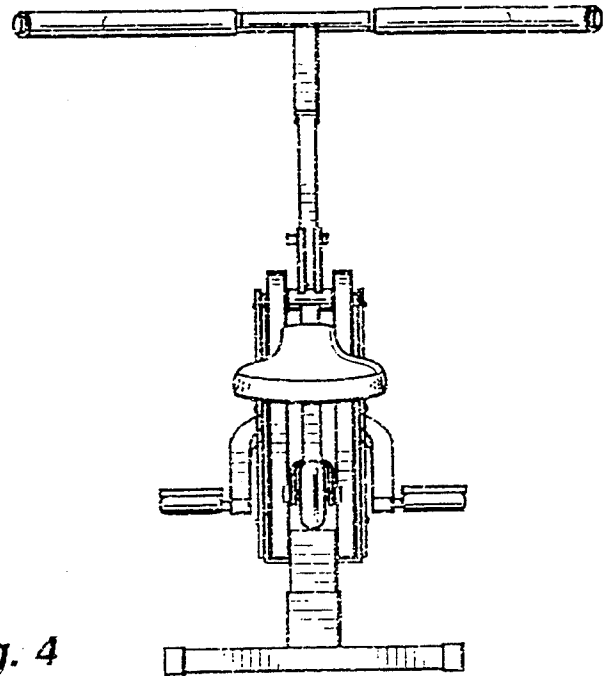


Fig. 4

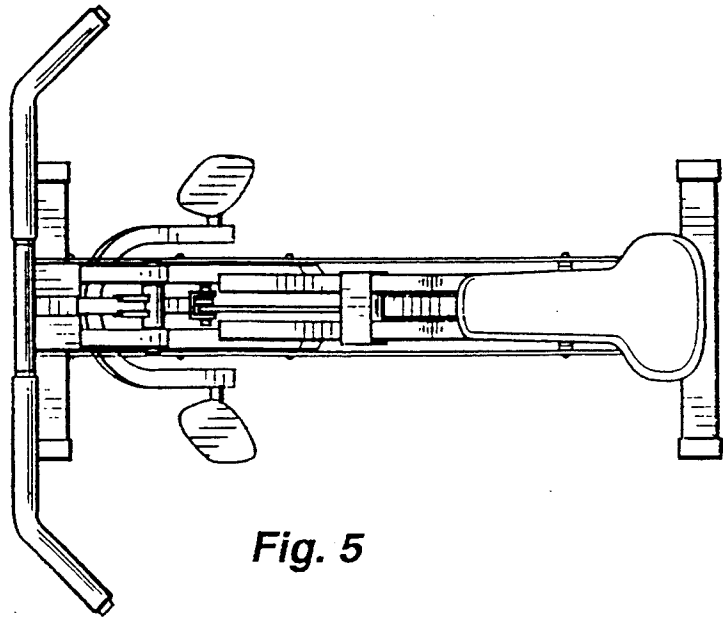


Fig. 5

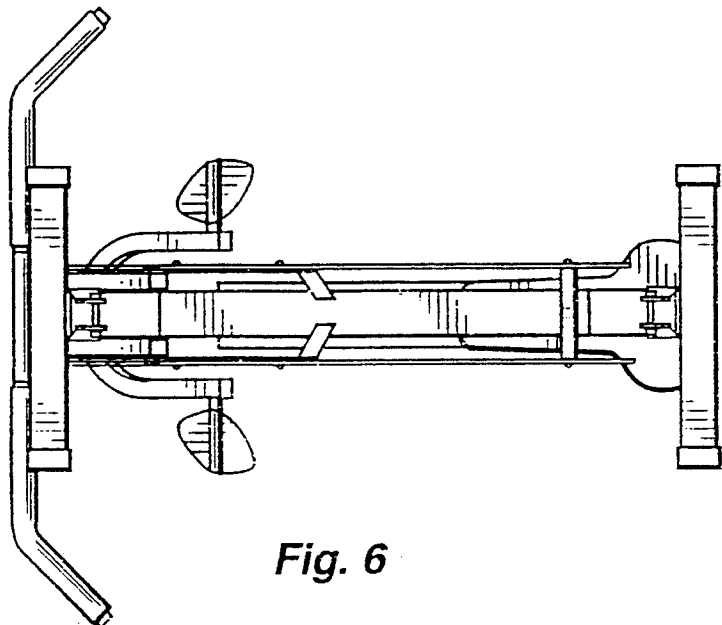


Fig. 6