



US00D797927S

(12) **United States Design Patent** (10) **Patent No.:** **US D797,927 S**
Schuessler et al. (45) **Date of Patent:** **** Sep. 19, 2017**

(54) **MALE ENTERAL TUBING CONNECTOR**

(71) Applicant: **Covidien LP**, Mansfield, MA (US)

(72) Inventors: **Wayne Schuessler**, St. Louis, MO (US); **David Rork Swisher**, St. Charles, MO (US)

(73) Assignee: **Covidien LP**, Mansfield, MA (US)

(**) Term: **14 Years**

(21) Appl. No.: **29/508,425**

(22) Filed: **Nov. 6, 2014**

(51) **LOC (10) Cl.** **24-02**

(52) **U.S. Cl.**
USPC **D24/129**

(58) **Field of Classification Search**
USPC D24/127-131, 112-114, 133, 186;
606/181, 185; 604/264, 523-528, 272,
604/187, 158, 164.01-164.11, 181, 184,
604/227; 600/101, 139, 143;
128/200.24, 207.14, 207.15
CPC A61M 25/00; A61M 39/00; A61M 27/00;
A61M 25/0043; A61M 25/0067; A61M
25/0097; A61F 2/958

See application file for complete search history.

(56) **References Cited**

U.S. PATENT DOCUMENTS

4,390,017	A	6/1983	Harrison et al.	
5,113,571	A	5/1992	Manska	
D454,637	S *	3/2002	Nestborg	D24/112
D483,869	S *	12/2003	Tran	D24/129
6,699,233	B2	3/2004	Slanda et al.	
D635,668	S *	4/2011	Bartlett	D24/112
D638,933	S *	5/2011	Hill	D24/129
8,016,809	B2	9/2011	Zinger et al.	
D671,208	S *	11/2012	Trifilio	D24/128
8,348,902	B2	1/2013	Sugita et al.	
D679,009	S *	3/2013	Amborn	D24/129

8,479,370	B2	7/2013	Grant	
8,628,509	B2	1/2014	Kropczynski, Jr. et al.	
D709,187	S *	7/2014	Li	D24/129
D715,423	S *	10/2014	Rogers	D24/112
D715,931	S *	10/2014	Watanabe	D24/130
D720,452	S *	12/2014	Jordan	D24/130
D733,292	S *	6/2015	Rogers	D24/129
D733,293	S *	6/2015	Rogers	D24/129
D737,436	S *	8/2015	Lev	D24/129
2006/0047251	A1	3/2006	Bickford Smith et al.	

(Continued)

OTHER PUBLICATIONS

American National Standard Institute, "Small-bore connectors for liquids and gases in healthcare applications—Part 3: Connectors for enteral applications", Published by: Association for the Advancement of Medical Instrumentation 4301 N. Fairfax Drive, Suite 301 Arlington, VA 22203-1633 www.aami.org, © ISO/IEC 2013—All rights reserved, AAMI/ISO 80369-3, 43 pages.

Primary Examiner — David Muller

(74) *Attorney, Agent, or Firm* — Blaine A. Page, Esq.

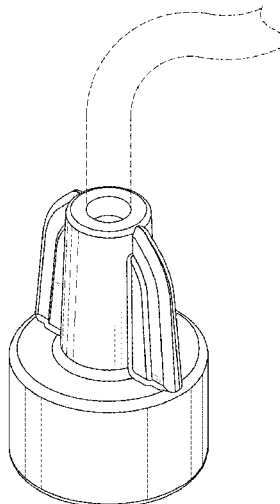
(57) **CLAIM**

The ornamental design for a male enteral tubing connector, as shown and described.

DESCRIPTION

FIG. 1 is a perspective view of a male enteral tubing connector and showing a fragmentary portion of medical tubing extending from the connector in phantom; FIG. 2 is a front view thereof with the medical tubing removed; FIG. 3 is a right side view thereof; FIG. 4 is a top plan view thereof; FIG. 5 is a rear view thereof; FIG. 6 is a left side view thereof; and, FIG. 7 is a bottom plan view thereof. Elements shown in phantom form no part of the claimed design.

1 Claim, 7 Drawing Sheets



(56)

References Cited

U.S. PATENT DOCUMENTS

2006/0106349	A1	5/2006	Kito et al.
2007/0129705	A1	6/2007	Trombley, III et al.
2008/0045929	A1	2/2008	Birnbach
2012/0150129	A1	6/2012	Jin et al.
2012/0245564	A1	9/2012	Tekeste et al.
2012/0330238	A1	12/2012	Robert et al.

* cited by examiner

FIG. 1

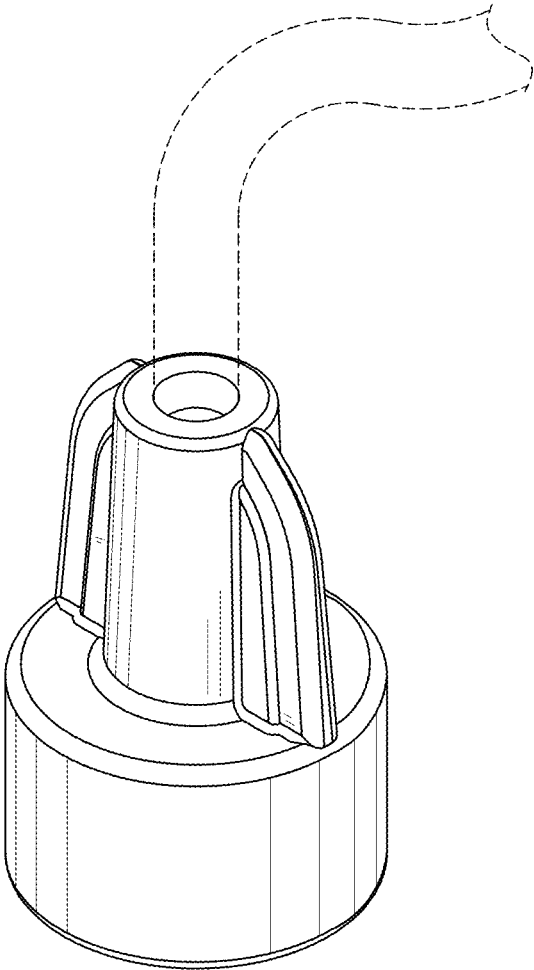


FIG. 2

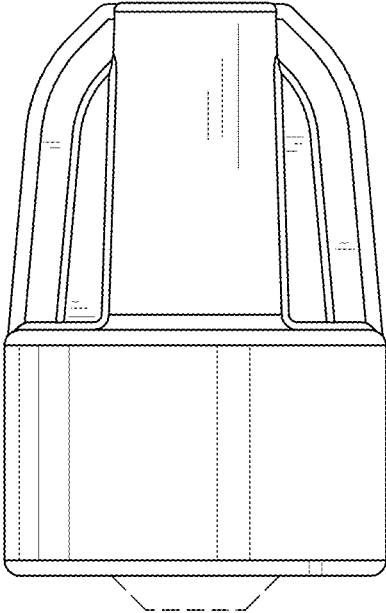


FIG. 3

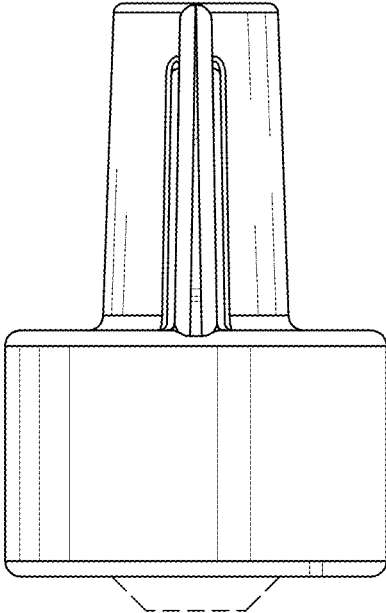


FIG. 4

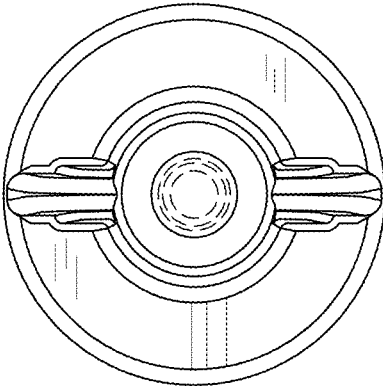


FIG. 5

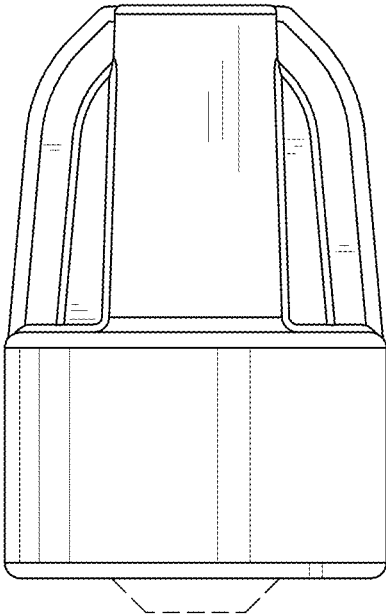


FIG. 6

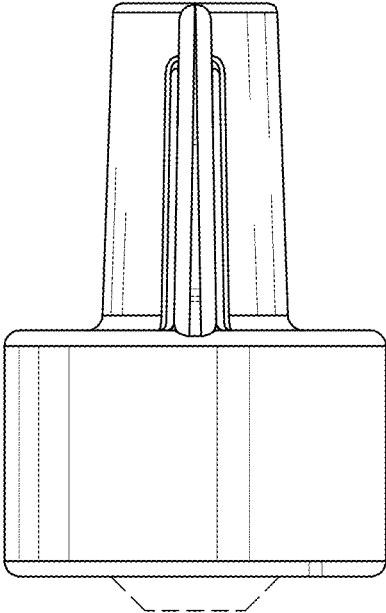


FIG. 7

