



US00D941523S

(12) **United States Design Patent**  
**Elkind et al.**

(10) **Patent No.:** **US D941,523 S**

(45) **Date of Patent:** **\*\* \*Jan. 18, 2022**

(54) **CHILD-RESISTANT STORAGE CONTAINER**

(71) Applicant: **Sto Responsible, LLC**, Lafayette, CO (US)

(72) Inventors: **Sandra Elkind**, Lafayette, CO (US);  
**Shuichi Amano**, Bethlehem, PA (US);  
**Michael Creighton**, Warrington, PA (US)

(73) Assignee: **STO RESPONSIBLE, LLC**, Lafayette, CO (US)

(\* ) Notice: This patent is subject to a terminal disclaimer.

(\*\*) Term: **15 Years**

(21) Appl. No.: **29/750,041**

(22) Filed: **Sep. 10, 2020**

**Related U.S. Application Data**

(63) Continuation-in-part of application No. 29/673,771, filed on Dec. 18, 2018, now Pat. No. Des. 898,360, which is a continuation of application No. 16/108,903, filed on Aug. 22, 2018.

(51) **LOC (13) Cl.** ..... **27-06**

(52) **U.S. Cl.**  
USPC ..... **D27/191; D9/504; D3/295**

(58) **Field of Classification Search**  
USPC ..... D3/20, 24, 25, 274, 276, 291, 302, 905,  
D3/294, 201, 203.1, 203.2, 273, 295, 298,  
D3/318, 901, 902, 903; D9/432, 425,  
D9/504; D27/189, 190, 191  
CPC ..... A45F 3/48; B65D 50/04  
See application file for complete search history.

(56) **References Cited**

**U.S. PATENT DOCUMENTS**

2,428,862 A 10/1947 William  
D168,205 S 11/1952 Baustian et al.

2,936,189 A 5/1960 Knapp  
3,348,724 A 10/1967 Charles  
3,651,983 A 3/1972 Haugen  
3,885,715 A 5/1975 Lowry  
3,894,655 A 7/1975 Mattheis et al.  
3,907,103 A 9/1975 Shaw  
3,933,381 A 1/1976 Schurman  
(Continued)

**FOREIGN PATENT DOCUMENTS**

CA 2428862 A1 11/2004  
DE 225115 A1 7/1985  
(Continued)

**OTHER PUBLICATIONS**

Instagram, “@storesponsible photo post” dated Oct. 2, 2018. (<https://www.instagram.com/p/BocBtD7HulJ/>) (Year: 2018).\*  
(Continued)

*Primary Examiner* — April Rivas  
(74) *Attorney, Agent, or Firm* — Holland & Hart LLP

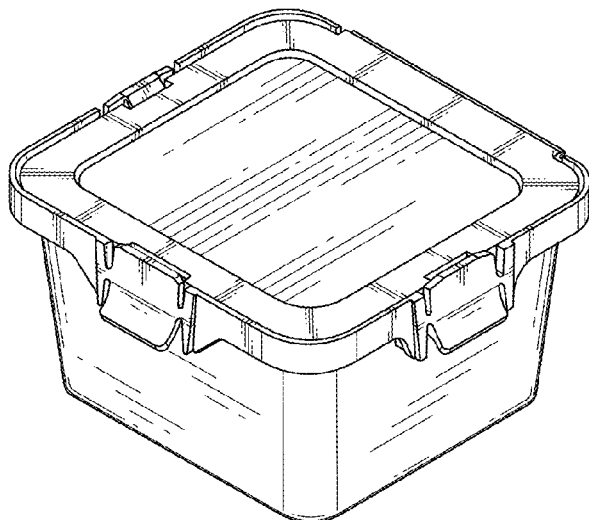
(57) **CLAIM**

The ornamental design for a child-resistant storage container, as shown and described.

**DESCRIPTION**

FIG. 1 is a perspective front view of a child-resistant storage container according to the present invention; FIG. 2 is a perspective back view thereof; FIG. 3 is a front view thereof; FIG. 4 is a rear view thereof; FIG. 5 is a right side view thereof; FIG. 6 is a left side view thereof; FIG. 7 is a top view thereof; and, FIG. 8 is a bottom view thereof. The broken lines illustrate portions of the child-resistant storage container and form no part of the claimed design.

**1 Claim, 4 Drawing Sheets**



(56)

References Cited

U.S. PATENT DOCUMENTS

4,098,430 A 7/1978 Mattheis et al.  
 4,102,452 A 7/1978 Sato et al.  
 4,280,648 A 7/1981 Boursier  
 4,730,731 A 3/1988 Allison  
 4,746,008 A 5/1988 Heverly et al.  
 4,974,740 A 12/1990 Niles et al.  
 5,033,634 A 7/1991 Batchelor et al.  
 5,065,887 A 11/1991 Schuh et al.  
 5,238,142 A 8/1993 Hanna et al.  
 5,353,946 A 10/1994 Behrend  
 D353,048 S 12/1994 Vanskiver et al.  
 D356,256 S 3/1995 Romanoff  
 D382,114 S 8/1997 Dickinson et al.  
 D384,502 S 10/1997 Seager et al.  
 D389,309 S 1/1998 Shaw  
 5,718,347 A 2/1998 Walker et al.  
 5,740,938 A 4/1998 Hofmann et al.  
 5,752,615 A 5/1998 Hofmann et al.  
 D394,955 S 6/1998 Dickinson et al.  
 D397,870 S 9/1998 De  
 D409,484 S \* 5/1999 Tasker ..... D9/423  
 D414,934 S 10/1999 Dickinson et al.  
 6,021,901 A 2/2000 Wolfe  
 D427,769 S 7/2000 Zimmerman  
 6,085,928 A 7/2000 Dickinson et al.  
 D438,005 S 2/2001 Tiramani et al.  
 D440,401 S 4/2001 Pauser et al.  
 D441,954 S 5/2001 Parker  
 D457,919 S 5/2002 Whittier et al.  
 6,401,968 B1 6/2002 Huang et al.  
 6,446,806 B1 9/2002 Ohori et al.  
 6,454,115 B1 9/2002 Allasia  
 D466,299 S 12/2002 Zimmerman  
 D480,872 S 10/2003 Welsh et al.  
 6,631,805 B2 10/2003 Bramen  
 D489,530 S 5/2004 Lindsay  
 D490,277 S \* 5/2004 Kim ..... D3/302  
 6,789,692 B2 9/2004 Prezelin  
 6,793,096 B1 9/2004 Seok  
 6,832,686 B2 12/2004 Donegan  
 D501,722 S 2/2005 Zimmerman  
 D510,802 S 10/2005 Sagol  
 D511,247 S 11/2005 Tsuchiya  
 D511,624 S 11/2005 Rosine et al.  
 D513,870 S 1/2006 Rosine et al.  
 D514,810 S 2/2006 Armato  
 D521,732 S 5/2006 Guizzardi  
 7,090,089 B2 8/2006 Lown et al.  
 D531,798 S 11/2006 Ringo  
 7,296,730 B2 11/2007 Erdie  
 D560,489 S 1/2008 Satnick  
 D567,507 S 4/2008 Zimmerman  
 D577,928 S 10/2008 Wong  
 D593,324 S 6/2009 Simas  
 7,540,364 B2 6/2009 Sanderson  
 7,549,541 B2 6/2009 Brozell et al.  
 D597,834 S 8/2009 Mittelstaedt et al.  
 7,568,739 B2 8/2009 Lee  
 7,581,670 B2 9/2009 Erdie  
 7,581,671 B2 9/2009 Erdie  
 7,918,357 B2 4/2011 Jaeb  
 7,997,412 B2 8/2011 Henry et al.  
 D644,437 S 9/2011 Lintula  
 D645,248 S 9/2011 Osiecki et al.  
 8,038,025 B2 10/2011 Stark et al.  
 D650,174 S \* 12/2011 Ahlstrom ..... D3/302  
 8,079,467 B2 12/2011 Barnette et al.  
 D654,690 S \* 2/2012 Sofy ..... D3/309  
 8,162,144 B2 4/2012 Intini  
 D658,374 S 5/2012 Anderson et al.  
 D664,767 S 8/2012 Shewmaker  
 D677,892 S 3/2013 Van  
 D687,224 S 8/2013 Lacroix  
 8,534,492 B2 9/2013 Williams et al.  
 8,567,828 B2 10/2013 Andren et al.

8,596,485 B2 12/2013 Lindsay  
 D701,044 S 3/2014 Kishimoto  
 D711,103 S 8/2014 Wu et al.  
 8,870,021 B2 10/2014 Smyers  
 D733,320 S 6/2015 Perry et al.  
 9,108,776 B2 8/2015 Smyers et al.  
 9,114,909 B2 8/2015 Wagner  
 D738,623 S 9/2015 Wood  
 D748,916 S 2/2016 Nilsson  
 D751,215 S 3/2016 Perry et al.  
 9,272,820 B2 3/2016 Cowie  
 9,295,349 B2 3/2016 Smyers  
 9,387,963 B2 7/2016 Mcbroom et al.  
 D775,826 S 1/2017 Gettel et al.  
 D784,629 S 4/2017 Farrish  
 9,637,281 B2 5/2017 Koo  
 D788,465 S 6/2017 Spadotto  
 D790,219 S 6/2017 Huang  
 D814,920 S 4/2018 Georgiadis et al.  
 D821,749 S \* 7/2018 Nilsson ..... D3/302  
 D826,557 S \* 8/2018 Han ..... D3/282  
 D834,819 S 12/2018 Burek et al.  
 D849,405 S 5/2019 Chen  
 2002/0084239 A1 7/2002 Maeyama et al.  
 2003/0015534 A1 1/2003 Lown et al.  
 2004/0118848 A1 6/2004 Marshall  
 2004/0195241 A1 10/2004 Stull et al.  
 2005/0194391 A1 9/2005 Domke et al.  
 2006/0249522 A1 11/2006 Ringo  
 2008/0006631 A1 1/2008 Booth et al.  
 2009/0255842 A1 10/2009 Brozell et al.  
 2009/0283437 A1 11/2009 Angelucci et al.  
 2010/0200581 A1 8/2010 Maltz  
 2010/0308055 A1 12/2010 Sams  
 2011/0127264 A1 6/2011 Whalen  
 2013/0105482 A1 5/2013 Letica et al.  
 2014/0151388 A1 6/2014 Culeron et al.  
 2014/0319147 A1 10/2014 Horovitz et al.  
 2015/0136786 A1 5/2015 Lonner et al.  
 2016/0244216 A1 8/2016 Decarlo et al.  
 2016/0297575 A1 10/2016 Mcbroom et al.  
 2016/0332785 A1 11/2016 Sexton et al.  
 2017/0001764 A1 1/2017 Belleville  
 2017/0036842 A1 2/2017 Lonner et al.  
 2017/0137184 A1 5/2017 Burek et al.  
 2017/0174411 A1 6/2017 Lonner et al.  
 2017/0247151 A1 8/2017 Chiou  
 2017/0334615 A1 11/2017 Golta et al.  
 2018/0244438 A1 8/2018 Morichon et al.  
 2018/0265263 A1 9/2018 Li  
 2019/0344937 A1 \* 11/2019 Elkind ..... B65D 50/04

FOREIGN PATENT DOCUMENTS

DE 9410519 U1 8/1994  
 EP 1088769 A1 4/2001  
 GB 2300854 A 11/1996  
 GB 2482507 A 2/2012  
 JP 3062266 B2 9/1999  
 WO 03076292 A1 9/2003  
 WO 2011162621 A1 12/2011  
 WO 2016075027 A1 5/2016  
 WO 2017083099 A1 5/2017  
 WO 2018081681 A1 5/2018

OTHER PUBLICATIONS

Healthcare Packaging, "STO Responsible: Sustainable, Child-Resistant Box", <https://www.riealthcarepackaging.com/markets/cannabis/press-release/13295484/sto-responsible-sustainable-childresistant-box>, Oct. 24, 2018.  
 Kickstarter, "CRATIV Child-Resistant Packaging", <https://www.kickstarter.com/projects/1276263290/crativ-child-resistant-packaging/description>, Oct. 10, 2016.  
 Life Without Plastic, "Stainless Steel Airtight Watertight Food Storage Container", <https://www.lifewithoutplastic.com/store/stainless-steelairtight-watertight-food-storage-container-lunch-box-8-cm-3.html>, Aug. 6, 2018.

(56)

**References Cited**

OTHER PUBLICATIONS

PCT, "International Search Report & Written Opinion", App. No. PCT/US2018/047543, dated Feb. 11, 2019.

\* cited by examiner

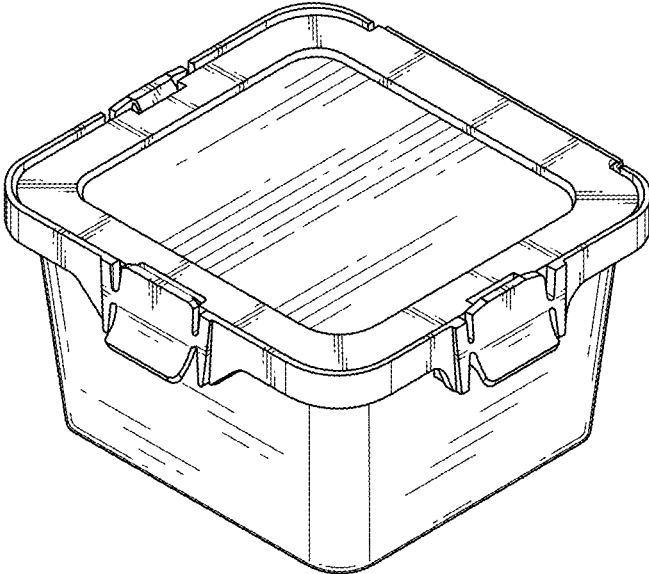


FIG. 1

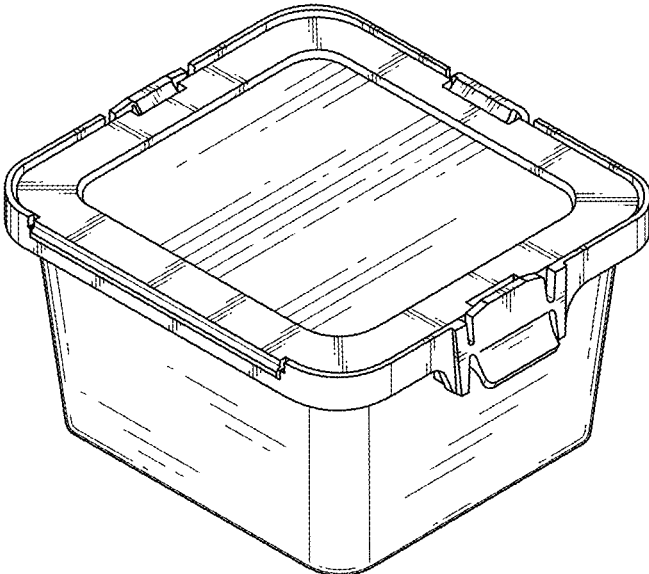


FIG. 2

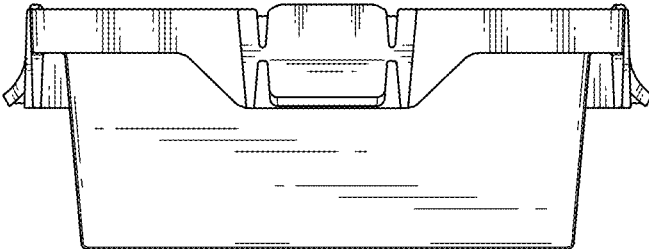


FIG. 3

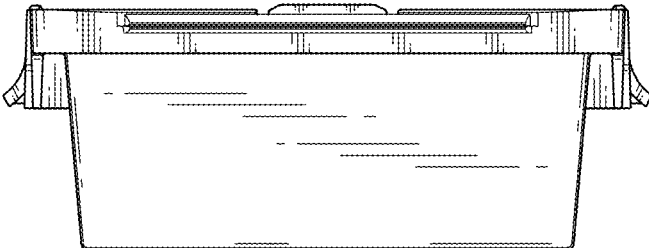


FIG. 4

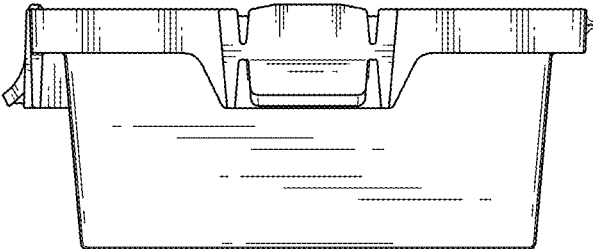


FIG. 5

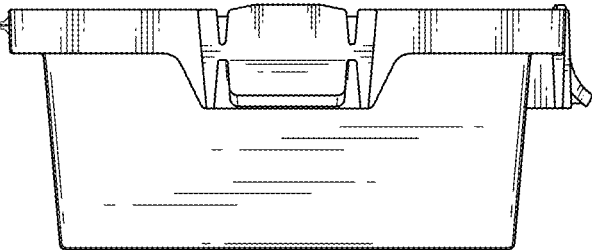


FIG. 6

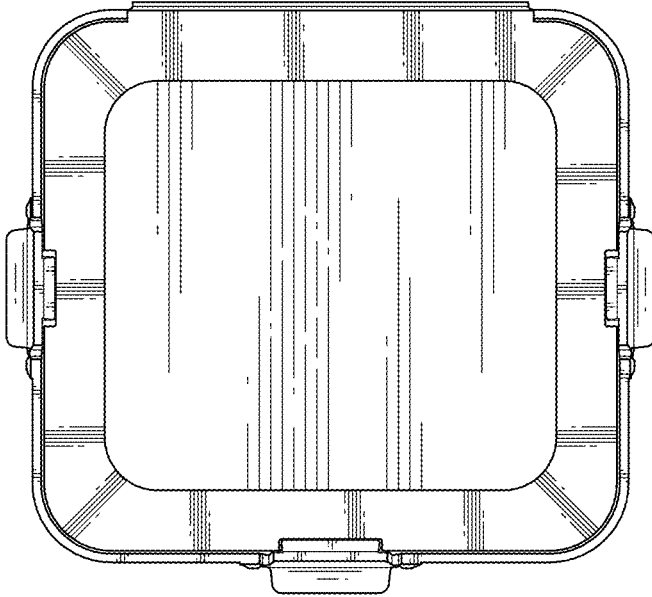


FIG. 7

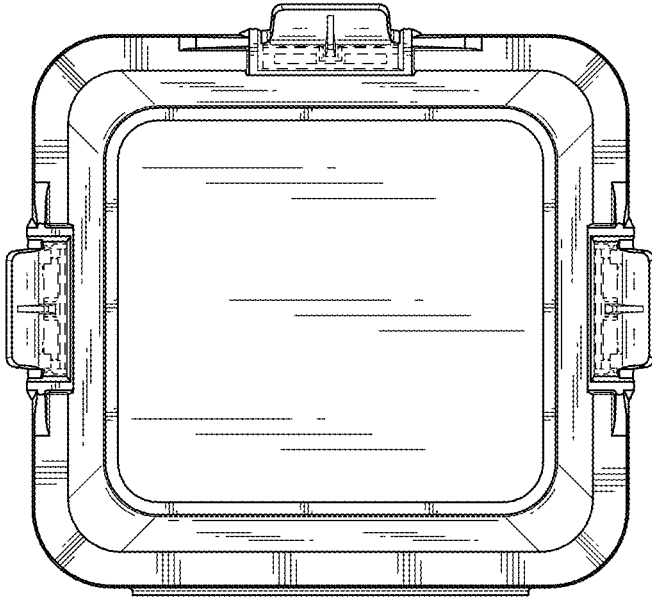


FIG. 8