



US00D379491S

# United States Patent [19] Goodin

[11] Patent Number: **Des. 379,491**  
[45] Date of Patent: **\*\*May 27, 1997**

[54] **HOSE NOZZLE**

[75] Inventor: **John W. Goodin**, Coto De Caza, Calif.

[73] Assignee: **L.R. Nelson Corporation**, Peoria, Ill.

[\*\*] Term: **14 Years**

[21] Appl. No.: **43,653**

[22] Filed: **Sep. 8, 1995**

[51] **LOC (6) Cl.** ..... **23-01**

[52] **U.S. Cl.** ..... **D23/226**

[58] **Field of Search** ..... **D23/213, 223-230;**  
239/459, 460-462, 394, 525-8, 530-2,  
230-3, 380-3, 390-3

[56] **References Cited**

**U.S. PATENT DOCUMENTS**

- D. 148,892 3/1948 Swimmer .
- D. 185,186 5/1959 Beinert .
- D. 194,014 11/1962 Gilmour .
- D. 225,222 11/1972 Gilmour .
- D. 225,736 1/1973 Mango et al. .
- D. 246,673 12/1977 Hall .
- D. 251,917 5/1979 Morgan .
- D. 291,725 9/1987 Huckenbeck ..... D23/213
- D. 300,348 3/1989 Lubeck .
- D. 328,780 8/1992 Aquilina .
- D. 340,762 10/1993 Wang ..... D23/226
- D. 361,122 8/1995 Goodin .
- 2,937,813 5/1960 Rinkewich .

- 2,991,945 7/1961 Rosenkranz .
- 3,111,273 11/1963 Mei .
- 3,799,447 3/1974 Beal .
- 4,219,162 8/1980 Dadson .
- 4,534,512 8/1985 Chow et al. .
- 4,618,100 10/1986 White et al. .
- 4,666,085 5/1987 Liaw ..... 239/526
- 4,903,897 2/1990 Hayes .
- 5,232,162 8/1993 Chih .
- 5,348,228 9/1994 Wang ..... 239/394

*Primary Examiner*—Brian N. Vinson  
*Assistant Examiner*—Robin V. Taylor  
*Attorney, Agent, or Firm*—Daniel J. Hulseberg; Mayer, Brown & Platt

[57] **CLAIM**

The ornamental design for a hose nozzle, as shown and described.

**DESCRIPTION**

FIG. 1 is a top plan view of a hose nozzle showing my new design;  
FIG. 2 is a left side elevational view thereof, the right side view being a mirror image thereof except for the elimination of the projection which serves to index the bale in the upright position shown;  
FIG. 3 is a front elevational view thereof;  
FIG. 4 is a rear elevational view thereof; and,  
FIG. 5 is a bottom plan view thereof.

**1 Claim, 2 Drawing Sheets**

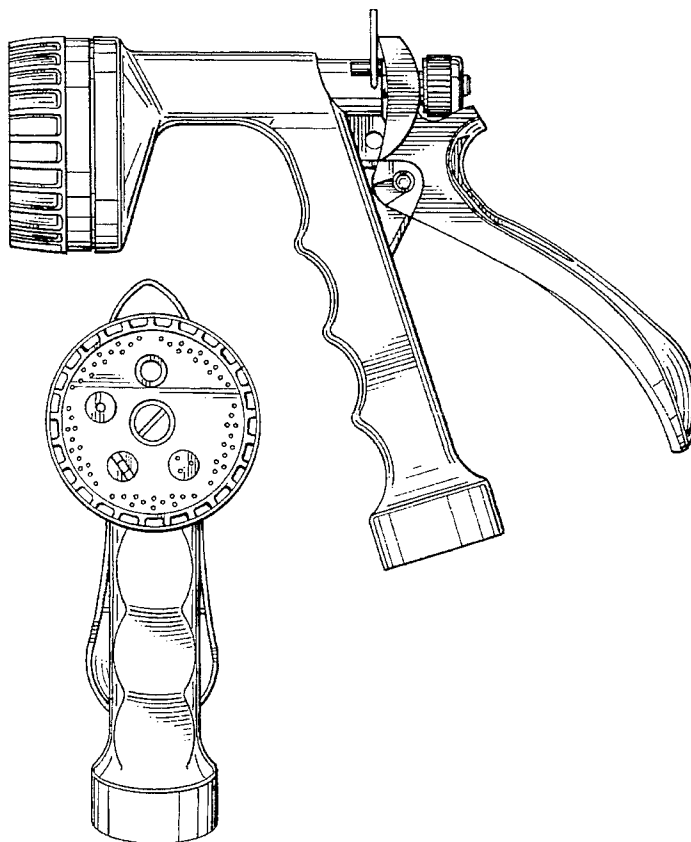


FIG. 1

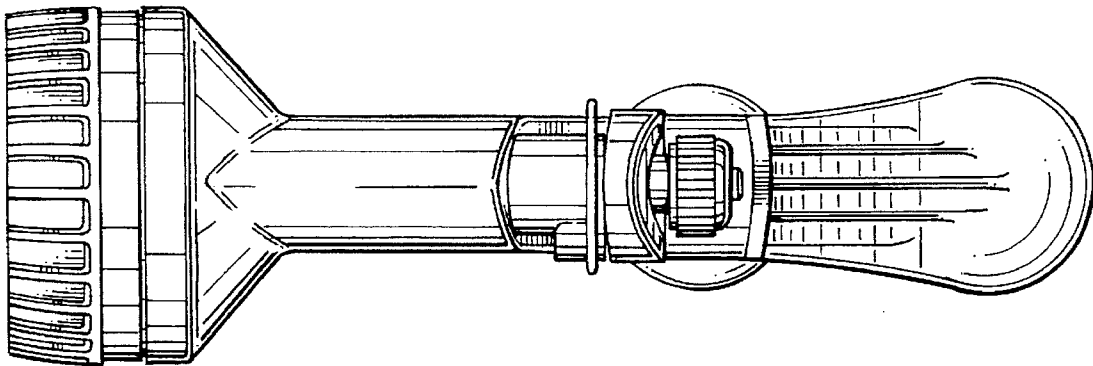


FIG. 2

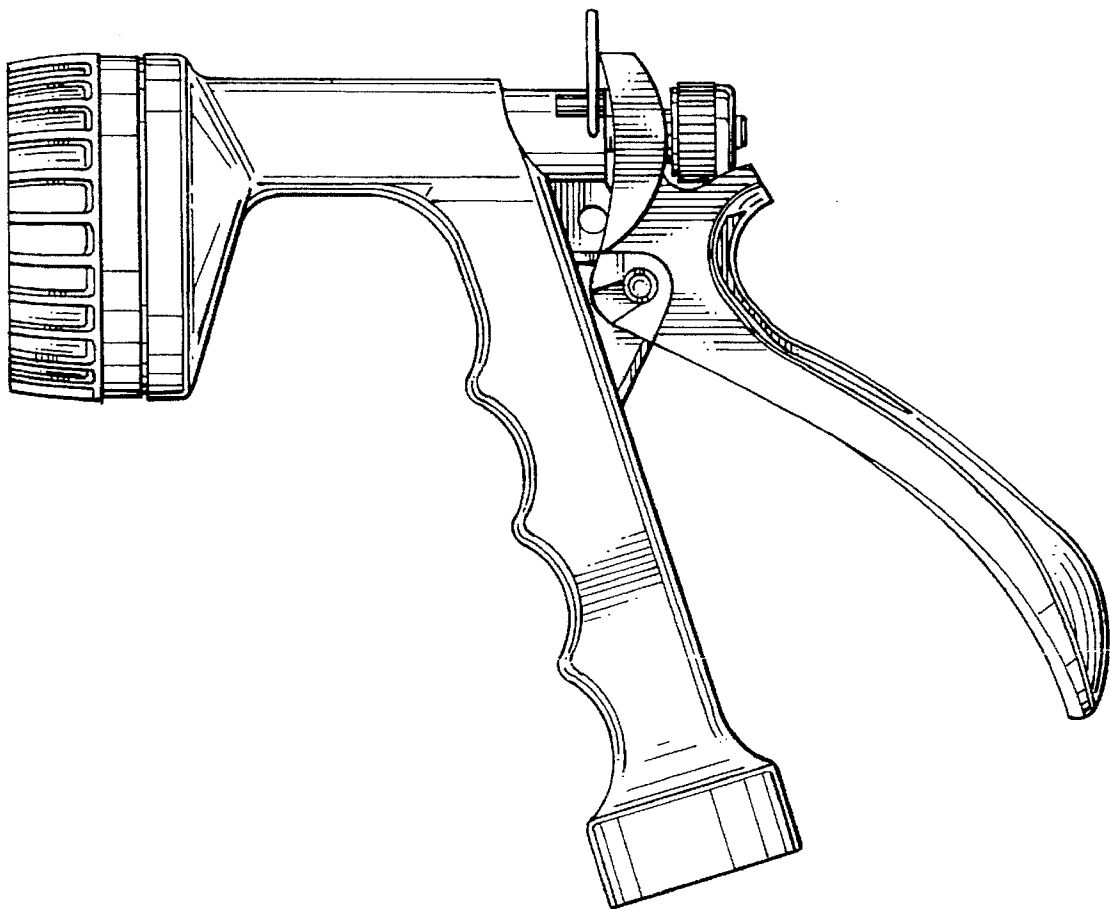


FIG. 3

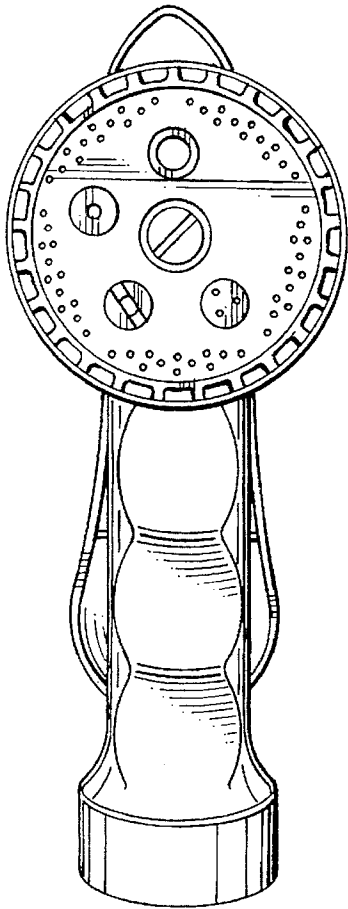


FIG. 4

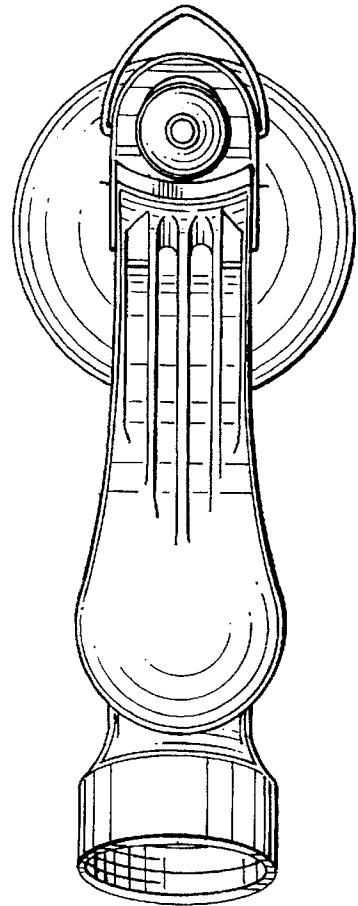


FIG. 5

