



US00D626302S

(12) **United States Design Patent**  
**Kaminer et al.**

(10) **Patent No.:** **US D626,302 S**

(45) **Date of Patent:** **\*\* \*Oct. 26, 2010**

(54) **QUILTED FABRIC STEAM POCKET FOR A STEAM APPLIANCE**

(75) Inventors: **Brian Kaminer**, Harrison, NY (US);  
**Charles A. Boulos**, Milford, MA (US);  
**James N. Lewiecki**, Essex, MA (US);  
**Kathleen V. Jones**, Somerville, MA (US);  
**Ognjen Vrdoljak**, Laval (CA)

(73) Assignee: **Euro-Pro Operating LLC**, Newton, MA (US)

(\* ) Notice: This patent is subject to a terminal disclaimer.

(\*\*) Term: **14 Years**

(21) Appl. No.: **29/335,410**

(22) Filed: **Apr. 15, 2009**

(51) **LOC (9) Cl.** ..... **04-01**

(52) **U.S. Cl.** ..... **D32/40; D32/50**

(58) **Field of Classification Search** ..... D32/40,  
D32/50, 51; 15/116.2, 119.2, 146, 147.1,  
15/147.2, 176.1, 208, 209.1, 220.1, 228,  
15/229.3, 229.8, 231

See application file for complete search history.

(56) **References Cited**

U.S. PATENT DOCUMENTS

1,420,180 A	6/1922	Casmier	
1,643,637 A	9/1927	Jessie	
D185,727 S	7/1959	Yamen et al.	
2,929,087 A *	3/1960	Salmon	15/229.8
D206,748 S	1/1967	Mabie et al.	
3,593,359 A	7/1971	Strauss	
3,792,505 A *	2/1974	Saltzstein	15/231
D245,473 S	8/1977	Heninger	
4,685,167 A	8/1987	Murray	
D302,058 S	7/1989	Brooks	
5,177,831 A	1/1993	Wirth	
D358,238 S *	5/1995	Barnett	D32/50
5,455,980 A	10/1995	Buchanan	
D384,209 S	9/1997	Driggers	

D391,715 S *	3/1998	Irwin et al.	D32/50
D426,039 S *	5/2000	Tintelnot et al.	D32/40
D427,401 S *	6/2000	Kunkler	D32/50
D460,232 S	7/2002	Weihrauch	
D471,334 S	3/2003	Reede	
6,651,290 B2 *	11/2003	Kingry et al.	15/231
D518,935 S *	4/2006	Leitch et al.	D32/50
D525,877 S	8/2006	Wingfield	
D536,176 S	2/2007	Ramirez	
D544,667 S	6/2007	Nelson et al.	

(Continued)

FOREIGN PATENT DOCUMENTS

DE 44 27 672 A1 2/1996

(Continued)

Primary Examiner—Nanda Bondade

(74) Attorney, Agent, or Firm—Wolf, Greenfield & Sacks, P.C.

(57) **CLAIM**

The ornamental design for a quilted fabric steam pocket for a steam appliance, as shown and described.

**DESCRIPTION**

FIG. 1 is a top perspective view of a quilted fabric steam pocket for a steam appliance showing our new design;

FIG. 2 is a top plan view thereof;

FIG. 3 is a bottom plan view thereof;

FIG. 4 is a rear elevational view thereof;

FIG. 5 is a front elevational view thereof;

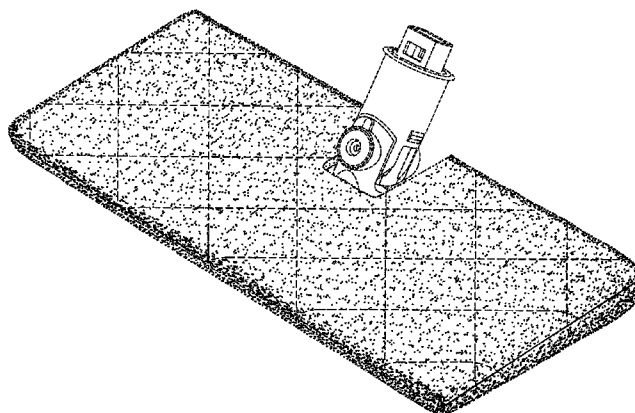
FIG. 6 is a right side view thereof;

FIG. 7 is a left side view thereof; and,

FIG. 8 is a reduced front perspective view of the quilted fabric steam pocket of FIG. 1 installed on a steam mop.

The broken line showing on the drawing disclosure is for illustrative purposes only and forms no part of the claimed design.

**1 Claim, 7 Drawing Sheets**



# US D626,302 S

Page 2

---

## U.S. PATENT DOCUMENTS

D547,069 S 7/2007 Braithwaite et al.  
D549,415 S 8/2007 Trotter et al.  
D554,815 S 11/2007 Harper et al.  
D560,868 S 1/2008 So  
D575,918 S 8/2008 Rosenzweig et al.  
D592,406 S 5/2009 Gallardo  
7,540,056 B2 6/2009 Dotterman et al.  
D599,518 S 9/2009 Vrdoljak

7,600,401 B2 10/2009 Rosenzweig  
D610,023 S 2/2010 Morlet et al.  
7,669,280 B2 3/2010 Rosenzweig  
D618,410 S 6/2010 Libman et al.  
2005/0229349 A1 10/2005 Foser

## FOREIGN PATENT DOCUMENTS

EP 1704808 A1 9/2006

\* cited by examiner

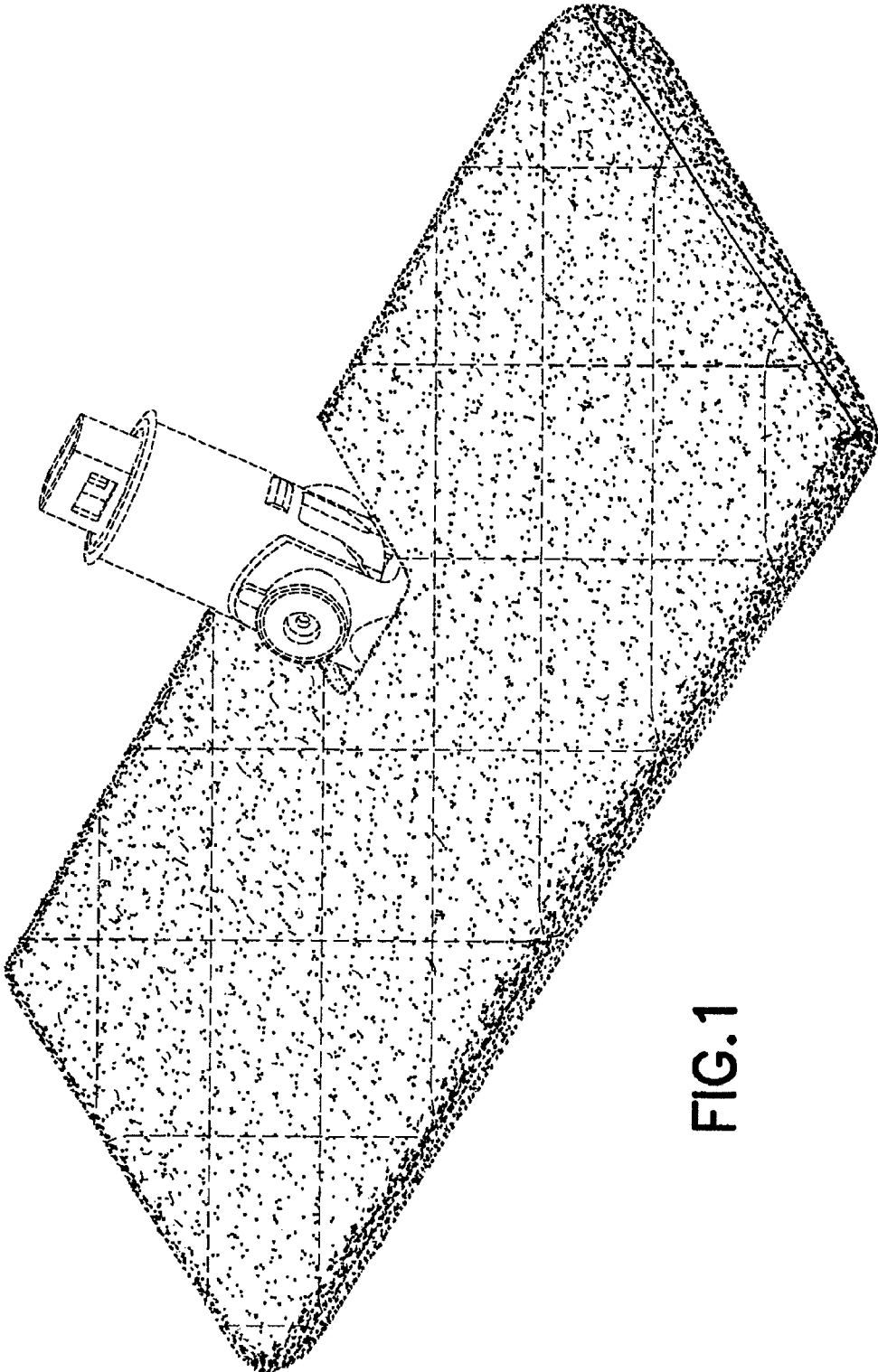


FIG.1

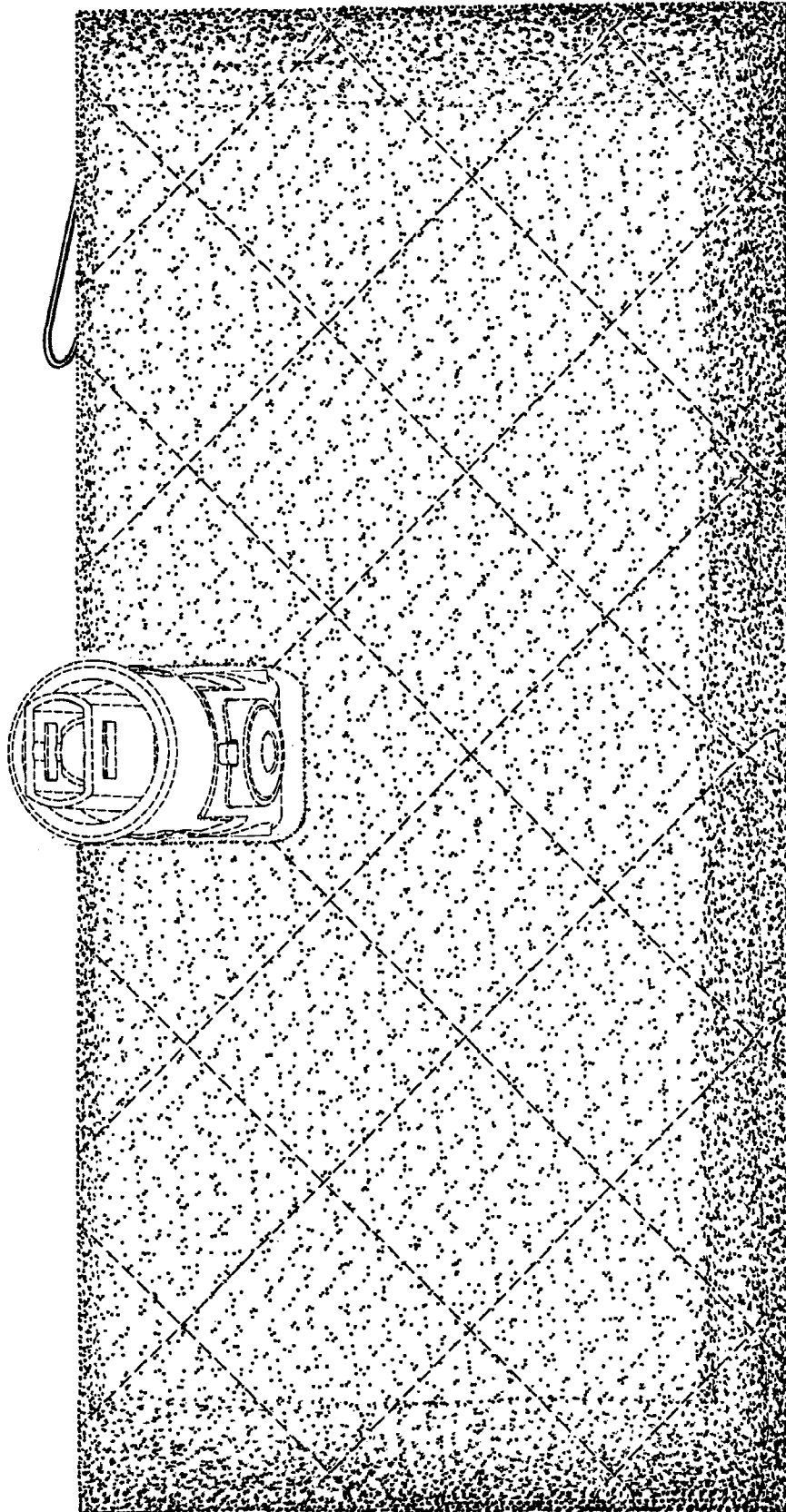


FIG.2

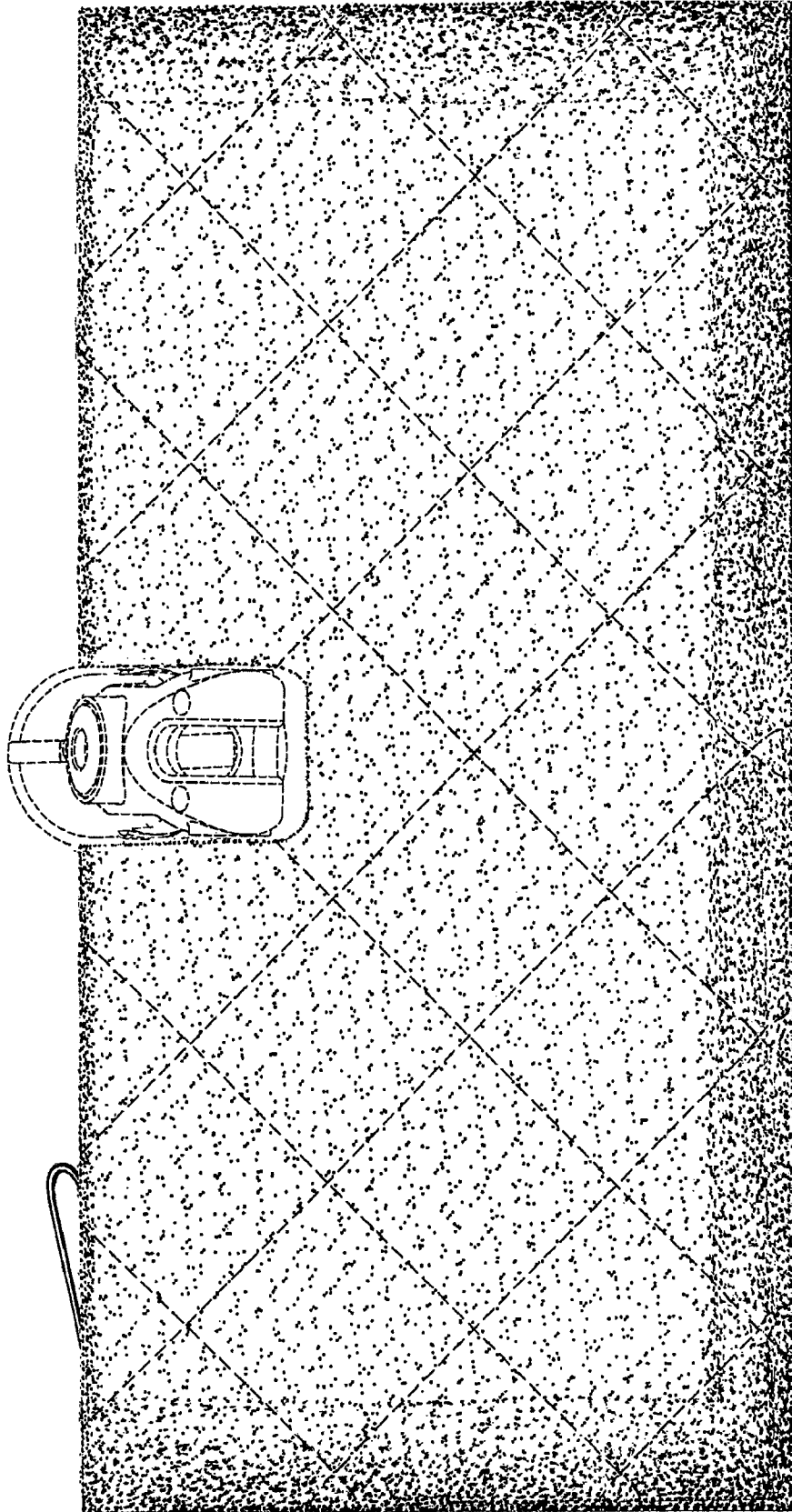


FIG.3

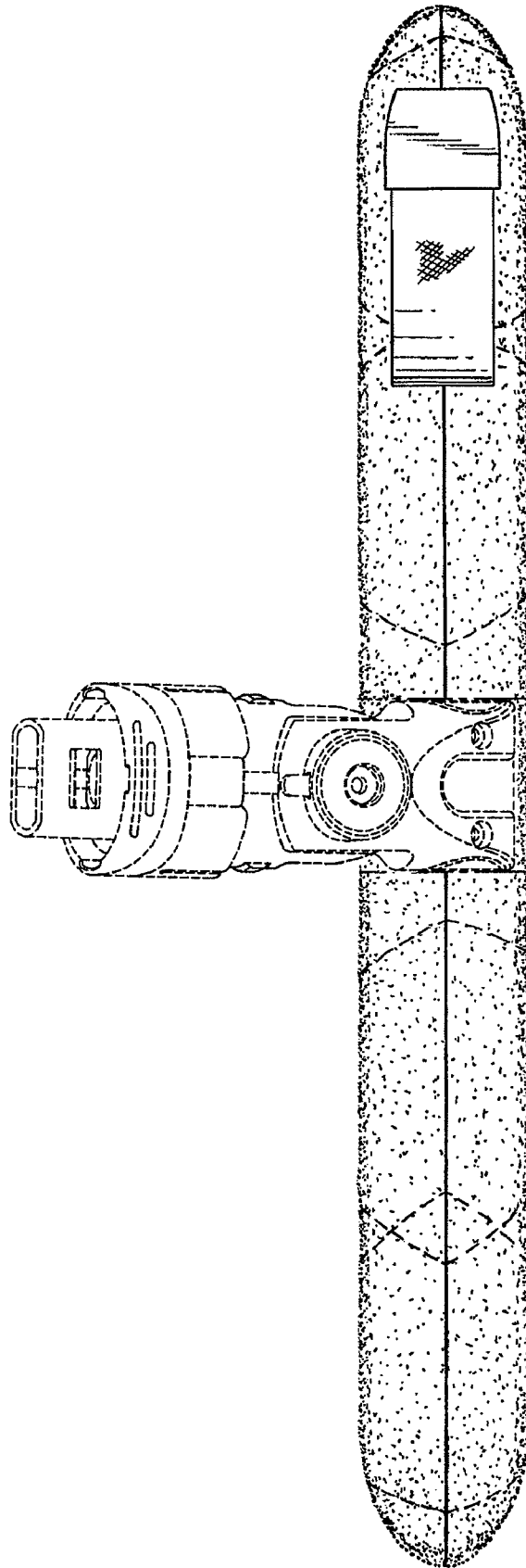


FIG.4

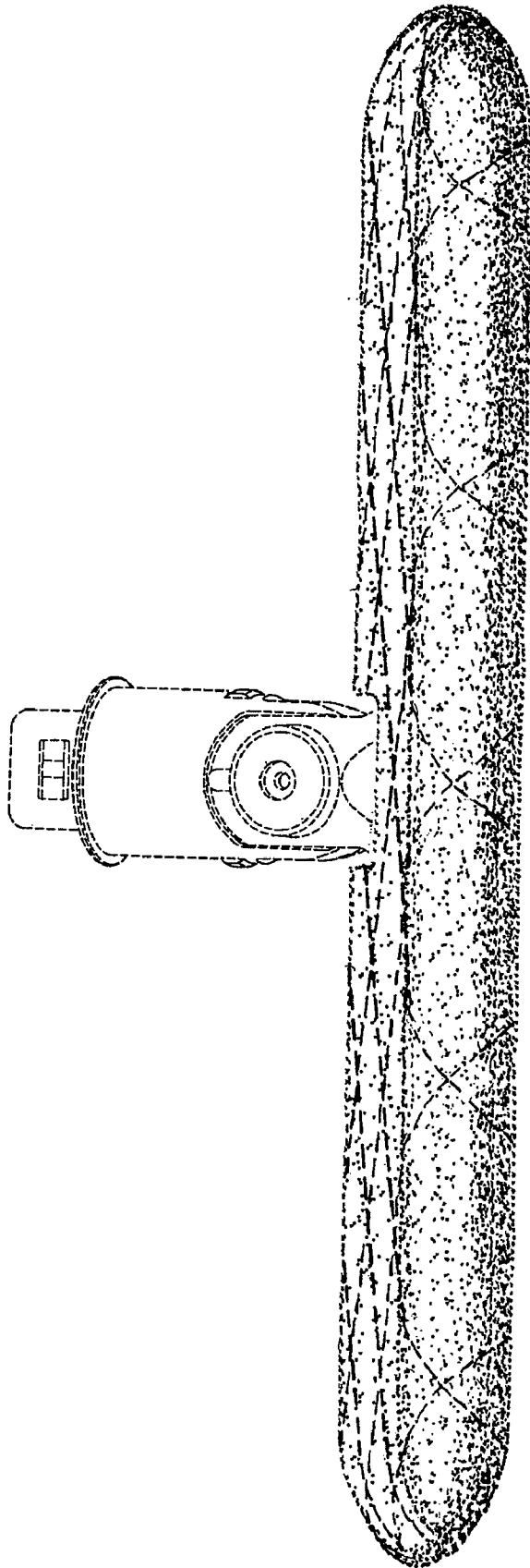


FIG.5

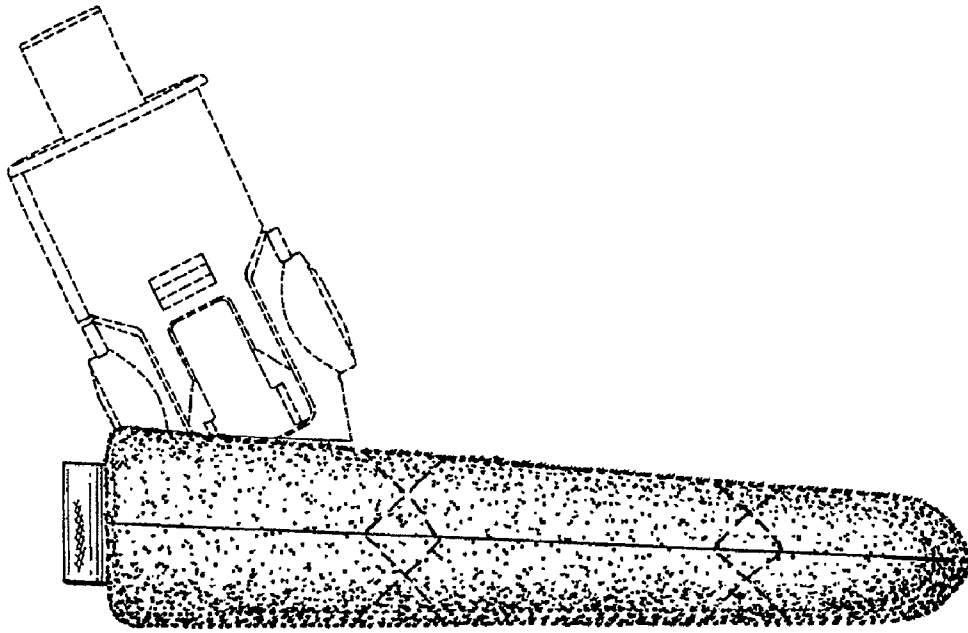


FIG. 6

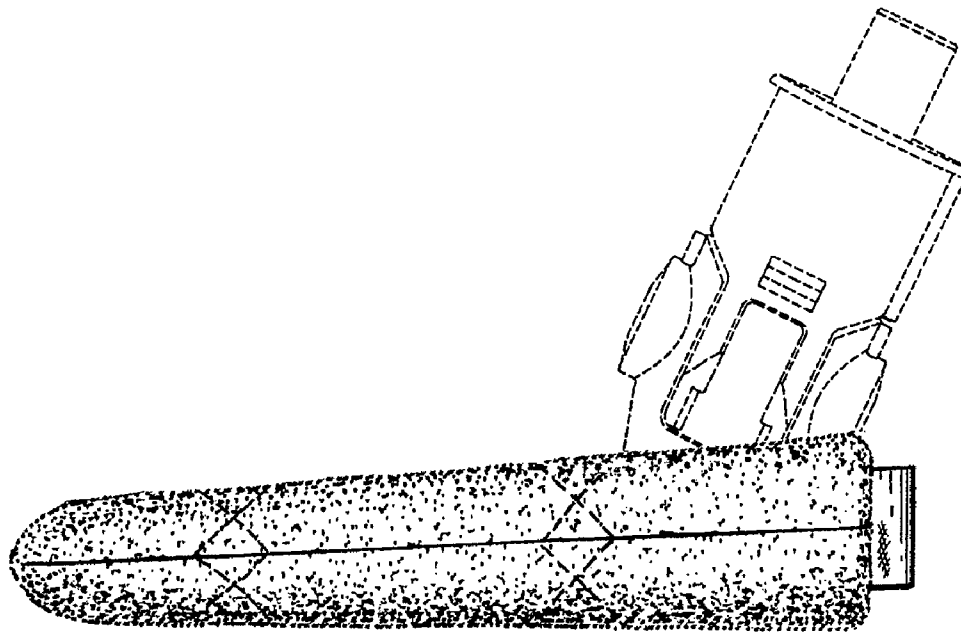


FIG. 7



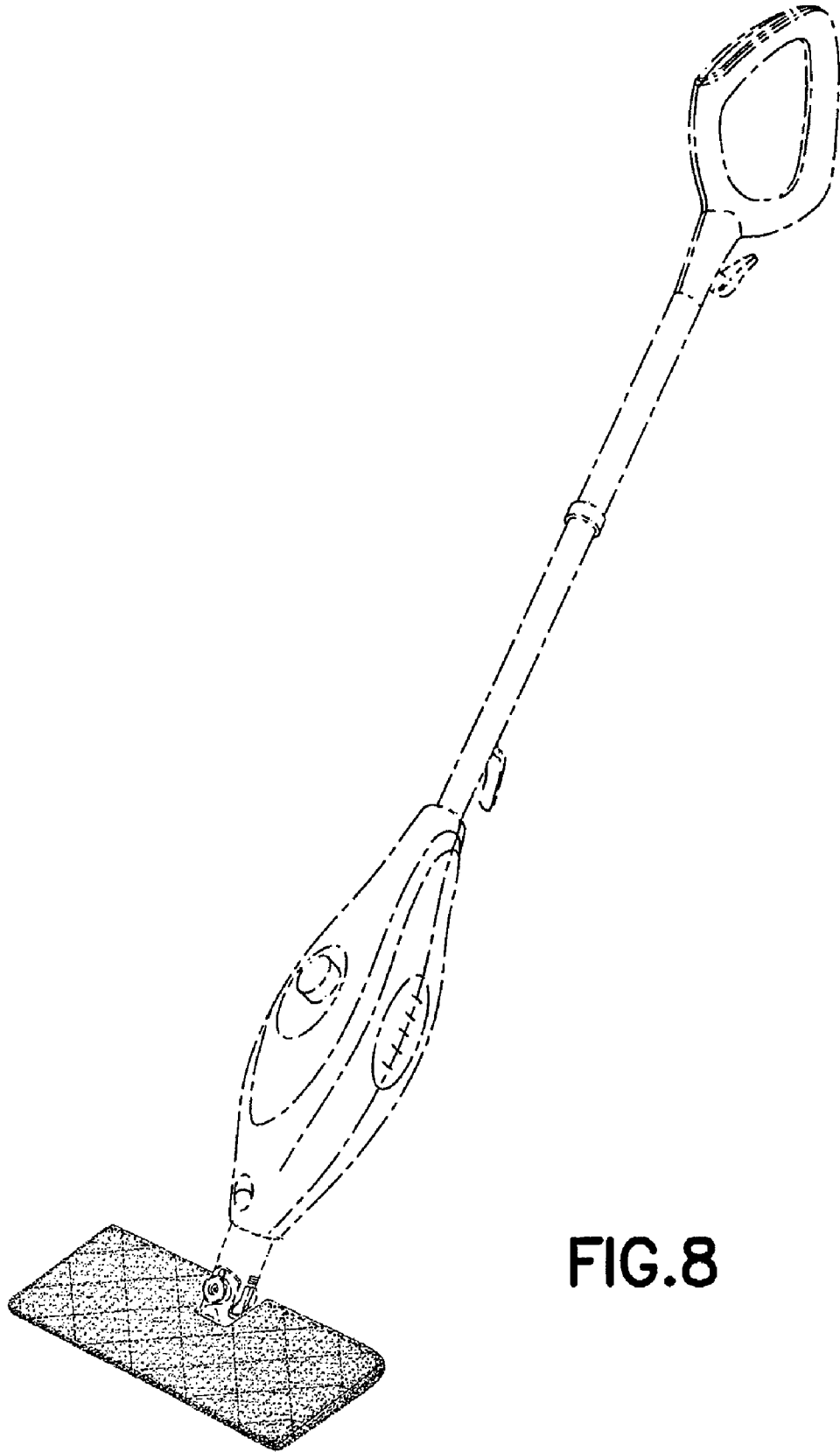


FIG. 8