

(19)
(12)

(KR)
(A)

(51) 。 Int. Cl. ⁷
G11B 20/10

(11)
(43)

2001 - 0078159
2001 08 20

(21) 10 - 2001 - 0004258
(22) 2001 01 30

(30) 2000 - 032699 2000 02 03 (JP)

(71) 가 가
가 가 6 7 35

(72) 가 가 6 7 35 가 가

(74)
:

(54) , ,

ID	ID	,	ID	.	(100)	가 (10)	ID (102)	,	(20)	.	(102)
	(24)	ID	,	ID	.	I/F(101)	I/F(19) ID	,	(30)	.	(10)

1

2 가

3 가 가

4 가

5 가
가

*

10. 15. /

16. 17.

18. ECC 19,101,105,106. I/F()

20. ID 21,22.

24,102. 100.

103. 107.

가
가 (ID)가

가

, 가 , 가 .

가 , 가 .

, 가 , 가 ,

.

, 가 , 가 ,

, 가 .

.

, .

, .

,

, 가 , 가 ,

가 , 가 .

가 , 가 ,

.

1 (100) (10)

(10) 1 (30) (11), (30) 가

(12), (12)

(13), (12) (14),

(13) (14)가 / (15),

(16), (17), / ECC(Error Correction Code) (

18), (100) (100)

I/F() (19), ID() ID (20)

(17) (16), / (15) ECC (18) ID

(20) ID ECC (18) (100)

(11) (30)

(30) (13)가 (12)

(30) (30) (30) (12), (12) 가 (30)

(30) (30) (12)

ID (20) () ID() ID ID

ID ID 가

(10) (21) ID (20)가 ID (100)

(100) (100)

ID가 ID I/F (19) (100) (21) ID j() (100)

(100) (100) (21)

(20) ID((10)) ID (23) , ID ECC (24) (18) (24) ID (23) ID() (24) ID e() f() (24) ID (17) (16) ECC (18) (16) ECC (18) e⁻¹ () ID f⁻¹ ()

(10) (10) I/F((100)) (101) , (10) (102) , (103) , (104) , (ID) (I/F() (105) , I/F (101)) (22) ID (102) ID (22) I/F((10)) (106) ID() I/F (106) (107) (104) ID (107) (103) ID (107)

2 , 1 (10) (100) (100) ID (10) 가 I/F (105) (100) I/F (106) 가 " u" ID " cID" , " c()" , " c(u,cID)" 가 " cIN" , ID " cID" " cIN" " s()" , ID " s(cID+cIN)"

2 (10_0) (100_0) (3 0_0) 가 (10_1) ID s(cID_0+cIN_0)가 (100_0) c

ID (100) s(cID+cIN) ID cID (100) s(cID+cIN)

, 2 ID , ID s⁻¹ cID_0+cIN_0 (100_0) c(u_0,cID_0) cIN_0 가 cIN_0 (103) cIN_1 ID cID_0 가 c(u_0,cID_0) u_0

2 j() (10_1) (100_0) ID , wID_0 , wID_0 , wID_0 2

(100_0) ID (10_1) ID j(wID_0) ID wID_0
 , ID cID_0+cIN_1 , v(cID_0+cIN_1,wID_0)
 , (10_1) . c(u_0,cID_0)
 (10_1)

(10_1) 1 ID (23) ID dID_0
 ID wID_0 f() f(wID_0,dID_0) , ID
 dID_0 ID v(cID_0+cIN_1,wID_0) e()
 e(v(),dID_0) . v() v(cID_0+cIN_1,wID_0) . f() e()
 , 가 ID dID_0 ID가
 . f(wID_0,dID_0) v(cID_0+cIN_1,wID_0) (30_0) ,
 (100_0) c(u_0,cID_0) (30_0) .
 ID dID_0 , (30_0) (toc,)

, (30_0) 가 (10_0)가 (10_1)

(10_1) (30_0) e(V(),dID_0) f(wID_0,dID_0)
 c(u_0,cID_0) , (30_0) ID dID_0
 (10_1) ID v(cID_0+cIN_1,wID_0) ID dID_0
 e(v(),dID_0) f(wID_0,dID_0) ID wID_0 .
 (10_1) I/F v(u_0,wID_0) (100_1) ID
 wID_0 j() ID j(wID_0) (100_1)
 c(u_0,cID_0) (100_1)

(100_1) ID j(wID_0) j⁻¹() ID wID_0
 , ID wID_0 (10_1) v(cID_0+cIN_1,wID_0)
 ID cID_0+cIN_1 . u_0 ID cID_0
 v(u_0,wID_0) , u_0가 ,
 cIN_1 가 ,
 cIN_1 cIN_2 .

ID dID ID wID가 ID dID ID wID ,
 (10) (10) (10) (100) ,
 ID v() 가 (100)가
 f() , (10) (10) e()
 (10) (30) (30) (100)

3 ID 가 .

3, (100_0), (100_1), (10_0) (

10_1) 2, ID v(cID_0+cIN_1,wID_0),

v(u_0,cID_0) (10_1) (10_2)

(30_2)

(10_1) (30_0) f(wID_0,dID_0)

e(v(),dID_0) (30_0) ID dID_0,

f(wID_0,dID_0) e(v(),dID_0) ID v(cID_0+cIN_1,wID_0)

ID wID_0 (10_1) (30_0)

c() c(u_0,cID_0) (10_1) v(cID_0+c

IN_1,wID_0) c() (10_2) (10_2)

(30_2) (10_2) (30_2) ID dID_2 ID

dID_2 (30_2) ID wID_2, ID dID_2

ID wID_2 v(cID_0+cIN_1,wID_0),

e(v(),dID_2) f(wID_2,dID_2) (30_2)

(10_3) (30_2) (10_2)

e(v(),dID_2) f(wID_2,dID_2) (10_3)

c() (30_2) (10_3) (10_3) (1

0_3) (30_2) ID dID_2, ID dID_2

e(v(),dID_2) f(wID_2,dID_2) (30_2) v(cID_0

+cIN_1,wID_0) v(cID_0+cIN_1,wID_0) ID wID_2가

v(cID_0+cIN_1,wID_0) (100_3)

(10_3) ID wID_2 j⁻¹ () ID wID_2

(100_3) (100_3) ID j(wID_2) j⁻¹ ()

ID wID_2, ID wID_2 (10_3) v(cID_0+cIN_1,

wID_0) v(cID_0+cIN_1,wID_0)가 ID wID_0

v(cID_0+cIN_1,wID_0) ID

ID cIN_0+cIN_1

(100_3) ID wID_2 v(cID_0+cIN_1,wID_0)

ID wID_0, ID 가

v(cID_0+cIN_1,wID_0) ID wID_2, ID

cID_0+cIN_1

(10_0) (10_1) ID가,

ID ID wID_0,

4 ID가 (10) (100)

2

5 ID ID v(cID_0+cIN_1,wID_0)가 (10)

(100)

$$v(cID_0+cIN_1,wID_0) \quad j(wID_0) \quad (10_1) \quad ID \quad wID_0 \quad j()$$

$$ID \quad cID_0+cIN_1 \quad (100_0) \quad j(wID_0) \quad (100_0) \quad ID \quad wID_0$$

$$v(cID_0+cIN_1,wID_0) \quad j()$$

$$(10_1)$$

$$(30_0) \quad ID \quad dID_0 \quad (30_0) \quad v(cID_0+cIN_1,wID_0)$$

$$e(v(),dID_0) \quad f(wID_0,dID_0) \quad ID \quad wID_0 \quad j(wID_0) \quad j(v()) \quad (10$$

$$ID_0) \quad j()$$

$$(100_0) \quad wID_0 \quad v(cID_0+cIN_1,wID_0) \quad j(w$$

$$ID_0) \quad j(v()) \quad j^{-1}()$$

5 가 2 가

가

가

ID ID(ID) () 가 ID

ID, ID, ID 가

가

() 가

가

가

가

가

(57)

1.

,

;

;

,

2.

1 ,

가

,

가

3.

1 ,

4.

1 ,

가

5.

1 ,

가

,

가

,

가

6.

;

;

7.

6

가

가

8.

6

9.

6

가

10.

가

가

11.

10

12.

10

13.

10

14.

10

15.

16.

15

17.

15

가

18.

15 ,

19.

20.

19 ,

21.

20 ,

22.

가 ,

가 ,

가

23.

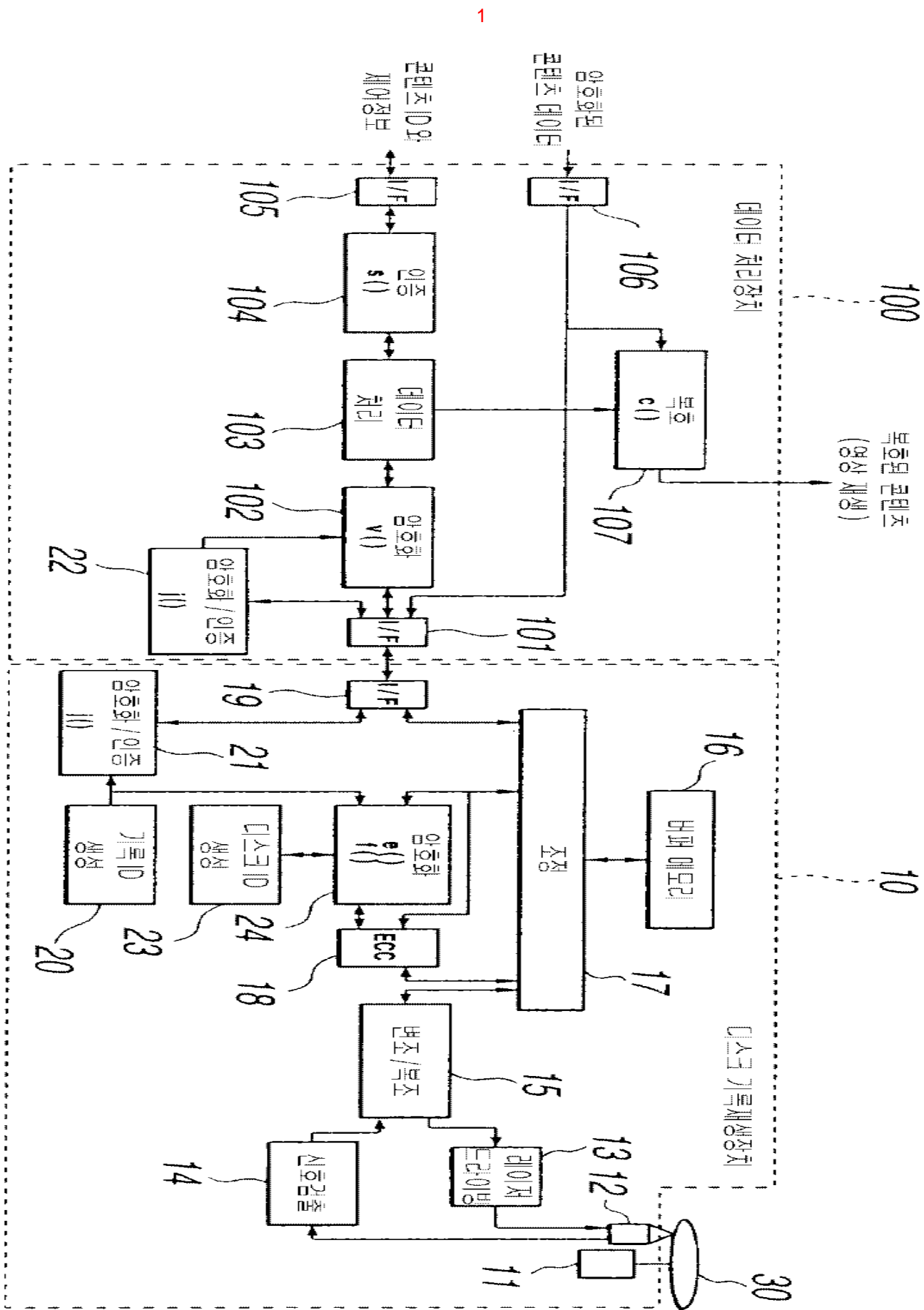
22 ,

,

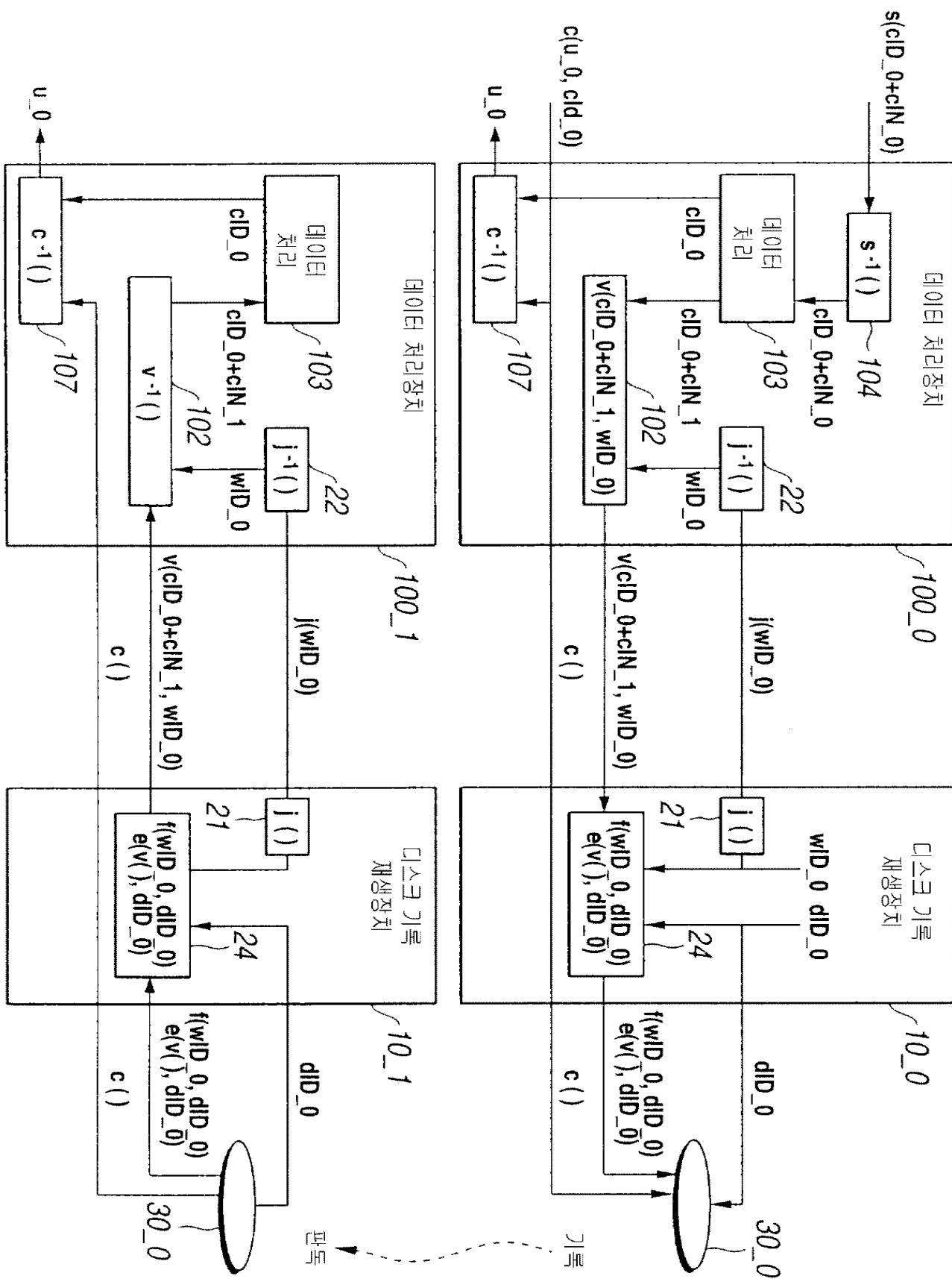
24.

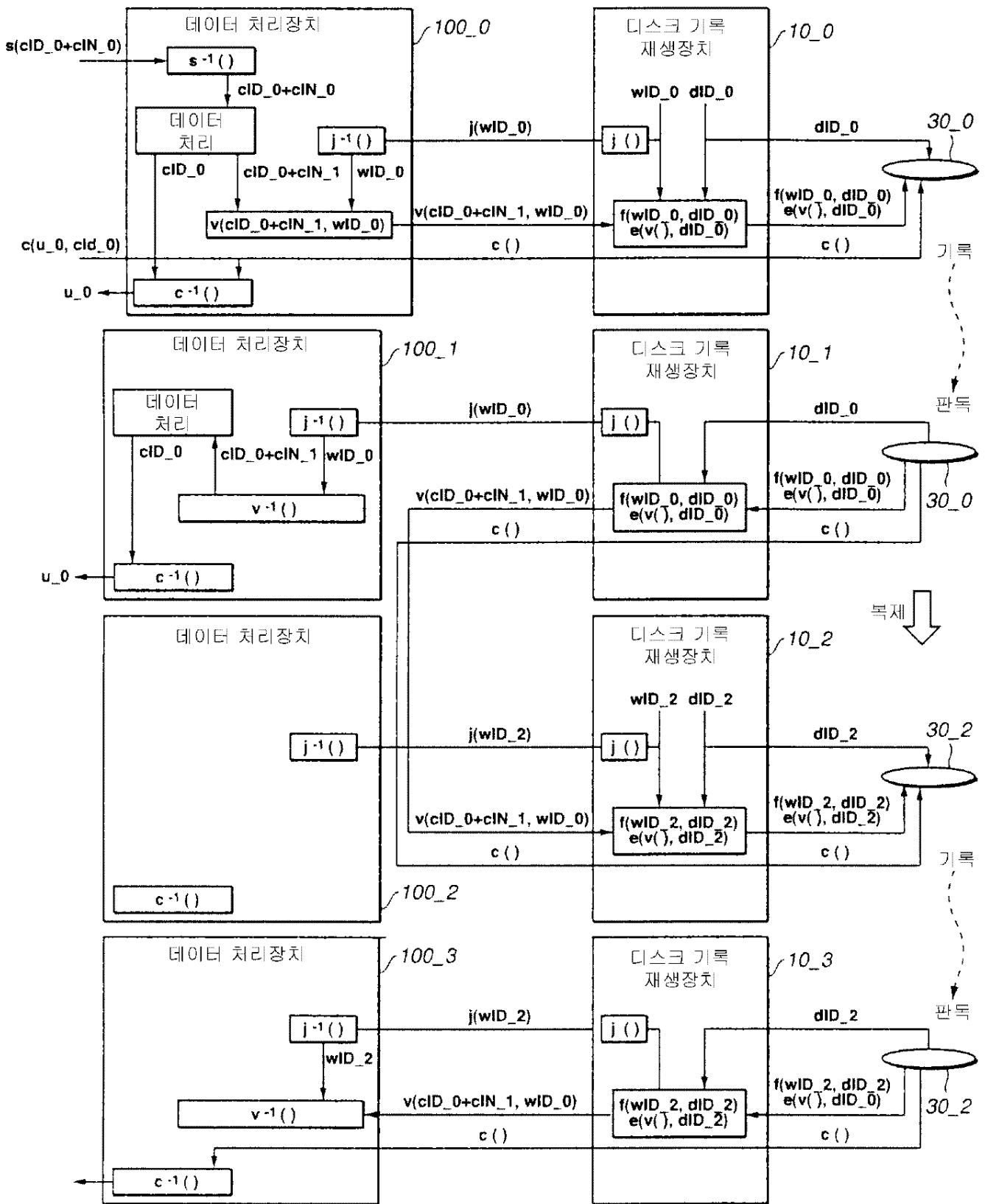
22 ,

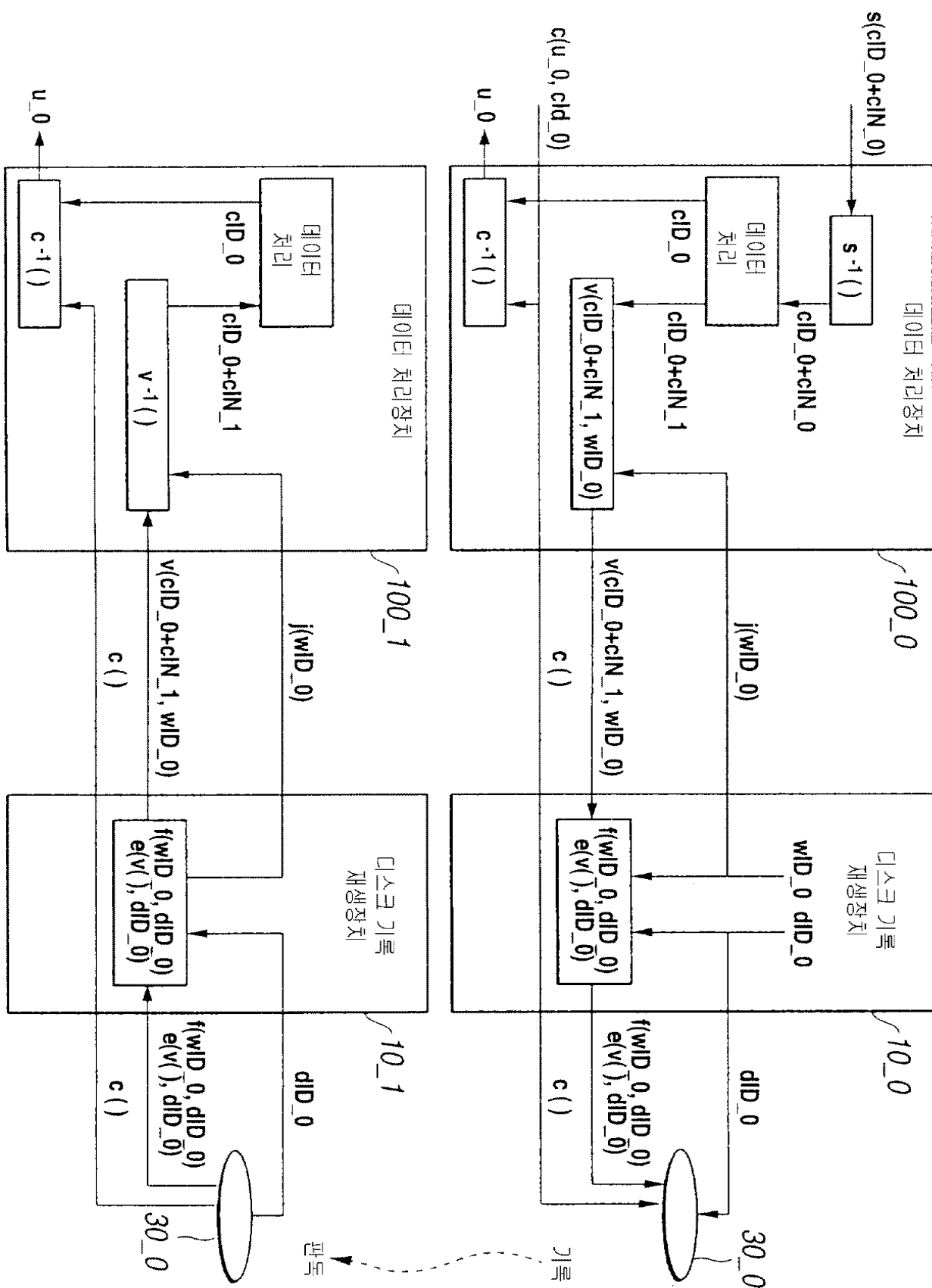
가



2







5

